



US00D612514S

(12) **United States Design Patent**
Johnston et al.

(10) **Patent No.:** **US D612,514 S**
(45) **Date of Patent:** **** Mar. 23, 2010**

(54) **READER HOUSING**

(75) Inventors: **Robert Johnston**, Vancouver (CA);
David Kwan-Kit Orr, Seattle, WA (US)

(73) Assignee: **Response Biomedical Corporation**,
Vancouver (CA)

(**) Term: **14 Years**

(21) Appl. No.: **29/285,426**

(22) Filed: **Mar. 29, 2007**

(51) **LOC (9) Cl.** **24-01**

(52) **U.S. Cl.** **D24/232**

(58) **Field of Classification Search** D24/107,
D24/138, 144, 186, 231, 232; D14/203.01,
D14/363, 498; 128/900, 902; 422/119; 600/301,
600/306, 483, 508, 523

See application file for complete search history.

(56) **References Cited**

U.S. PATENT DOCUMENTS

D300,359 S *	3/1989	Lee et al.	D24/186
D400,249 S *	10/1998	Holubar et al.	D24/107
D412,977 S *	8/1999	Hayamizu	D24/144
D481,123 S *	10/2003	Hayamizu	D24/138
D490,516 S *	5/2004	Takahashi et al.	D24/107
D534,654 S *	1/2007	Hayamizu	D24/186
D537,163 S *	2/2007	Nakamura	D24/107
D574,961 S *	8/2008	Kitahara et al.	D24/186
D582,044 S *	12/2008	Hacker et al.	D24/170

OTHER PUBLICATIONS

The Ramp Clinical Reader, Response Biomedical Corporation.
Response Biomedical—Clinical Products [online]. [Retrieved from

the internet on Jun. 19, 2007]. <URL:http://www.responsebio.com/products_clinical_products.asp?menu=1&submenu=5>.

Sunrise™ Microplate Reader, Tecan Group Ltd [online]. [Retrieved from the internet on Jun. 19, 2007]. <URL:http://www.tecan.com/platform/apps/picturegallery/index.asp?MenuID=1263&ID=687&Menu=1&Item=21.2.10.4&ImgNr=1&ImgId=115>.

* cited by examiner

Primary Examiner—T. Chase Nelson

Assistant Examiner—Mark Cavanna

(74) *Attorney, Agent, or Firm*—Hamilton, Brook, Smith & Reynolds, P.C.

(57) **CLAIM**

The ornamental design for a reader housing, as shown and described.

DESCRIPTION

FIG. 1 is a front perspective view of the reader housing.

FIG. 2 is a front view of the reader housing.

FIG. 3 is a rear view of the reader housing.

FIG. 4 is a left side view of the reader housing.

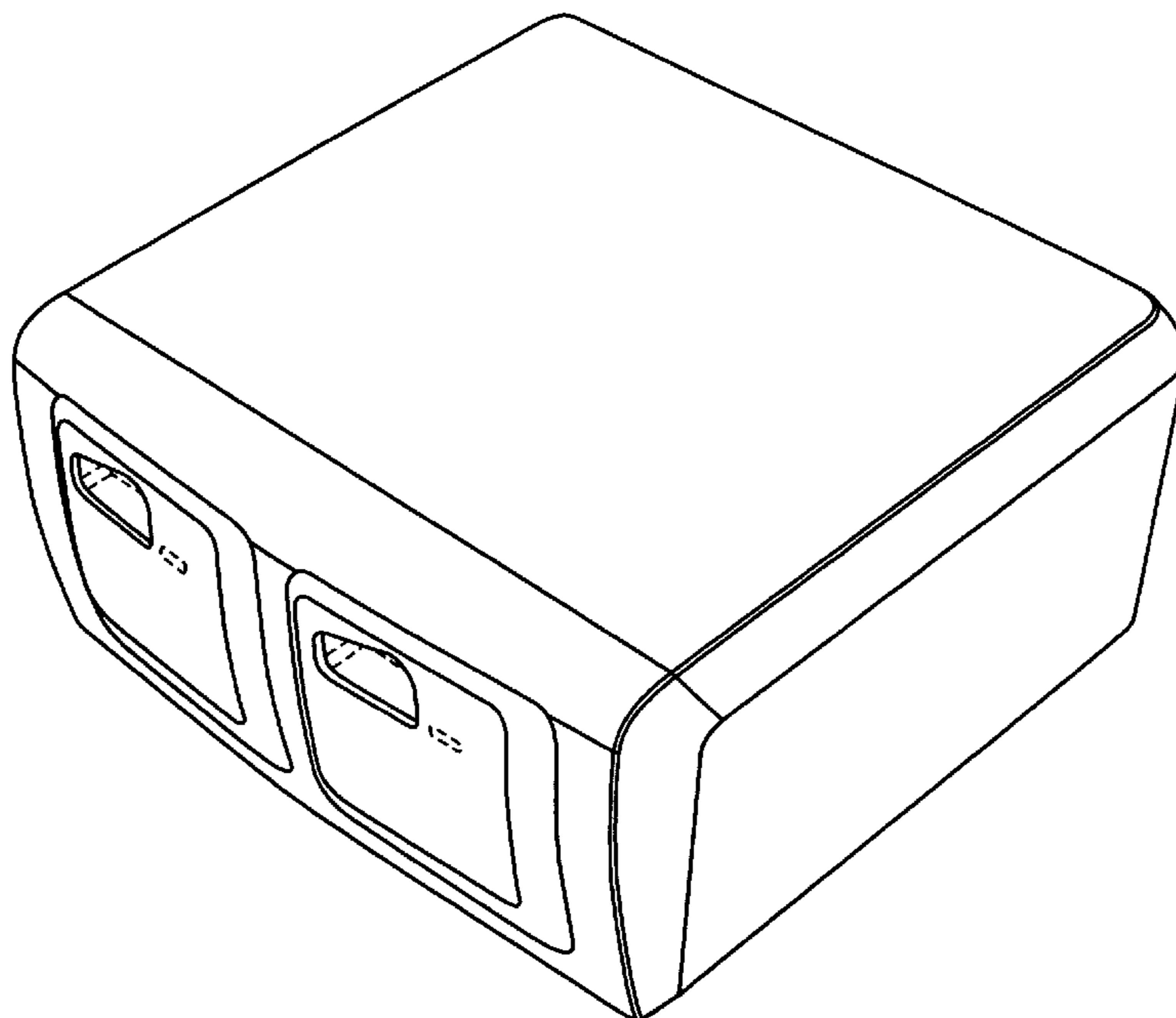
FIG. 5 is a right side view of the reader housing.

FIG. 6 is a top view of the reader housing; and,

FIG. 7 is a bottom view of the reader housing.

The broken lines are included for the purpose of illustrating portions of the reader housing that form no part of the claimed design.

1 Claim, 7 Drawing Sheets



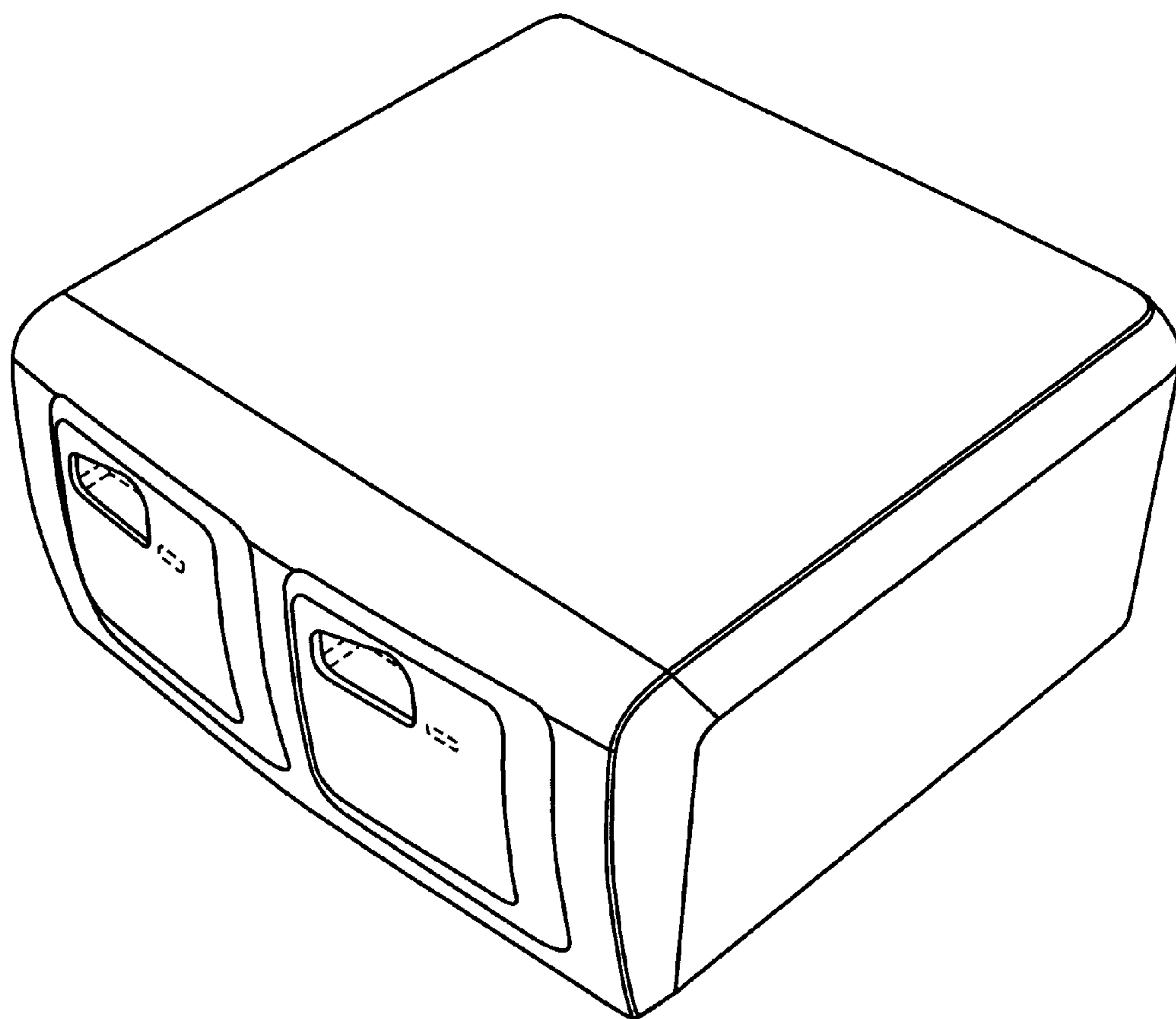


FIG. 1

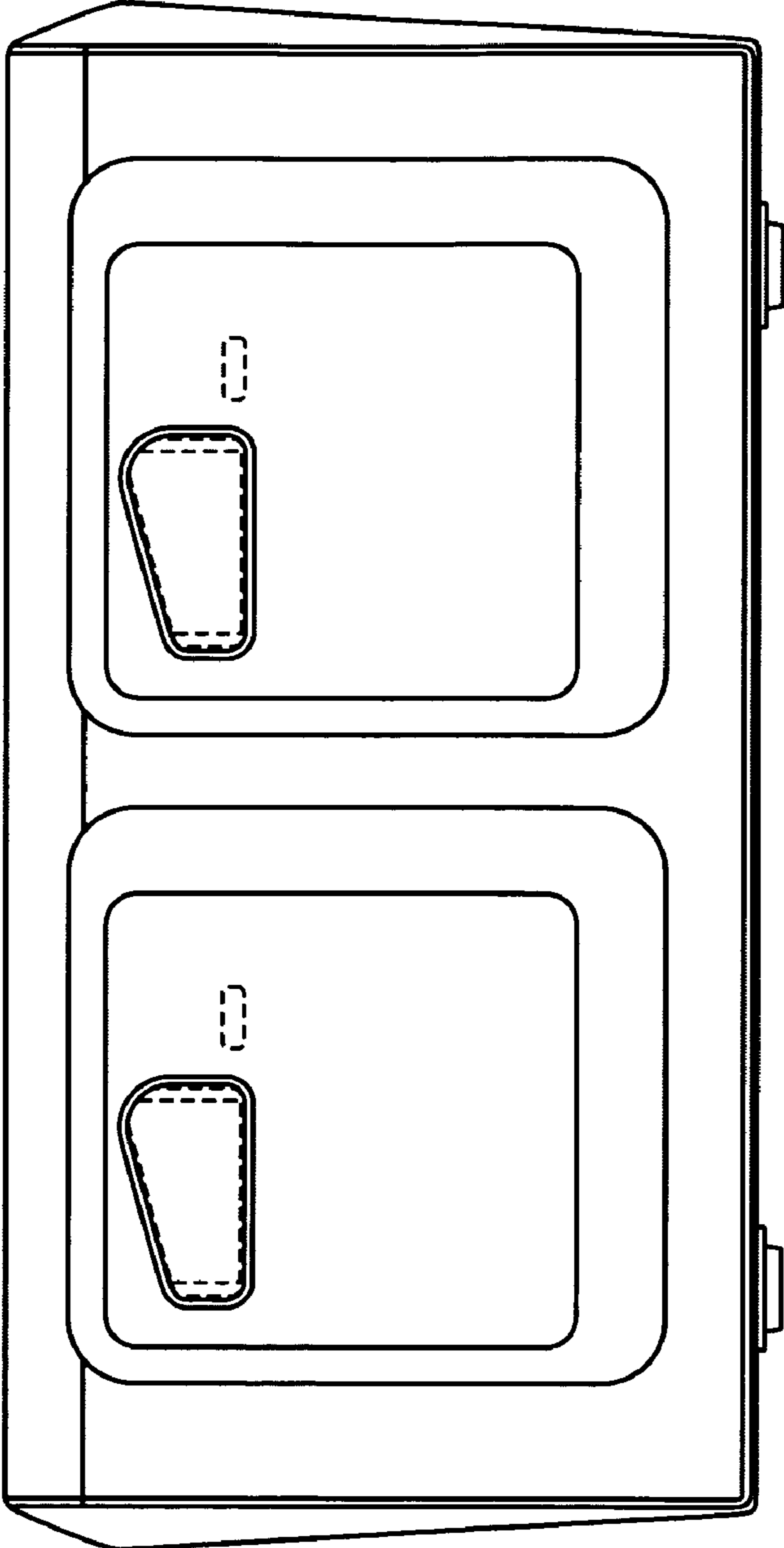


FIG. 2

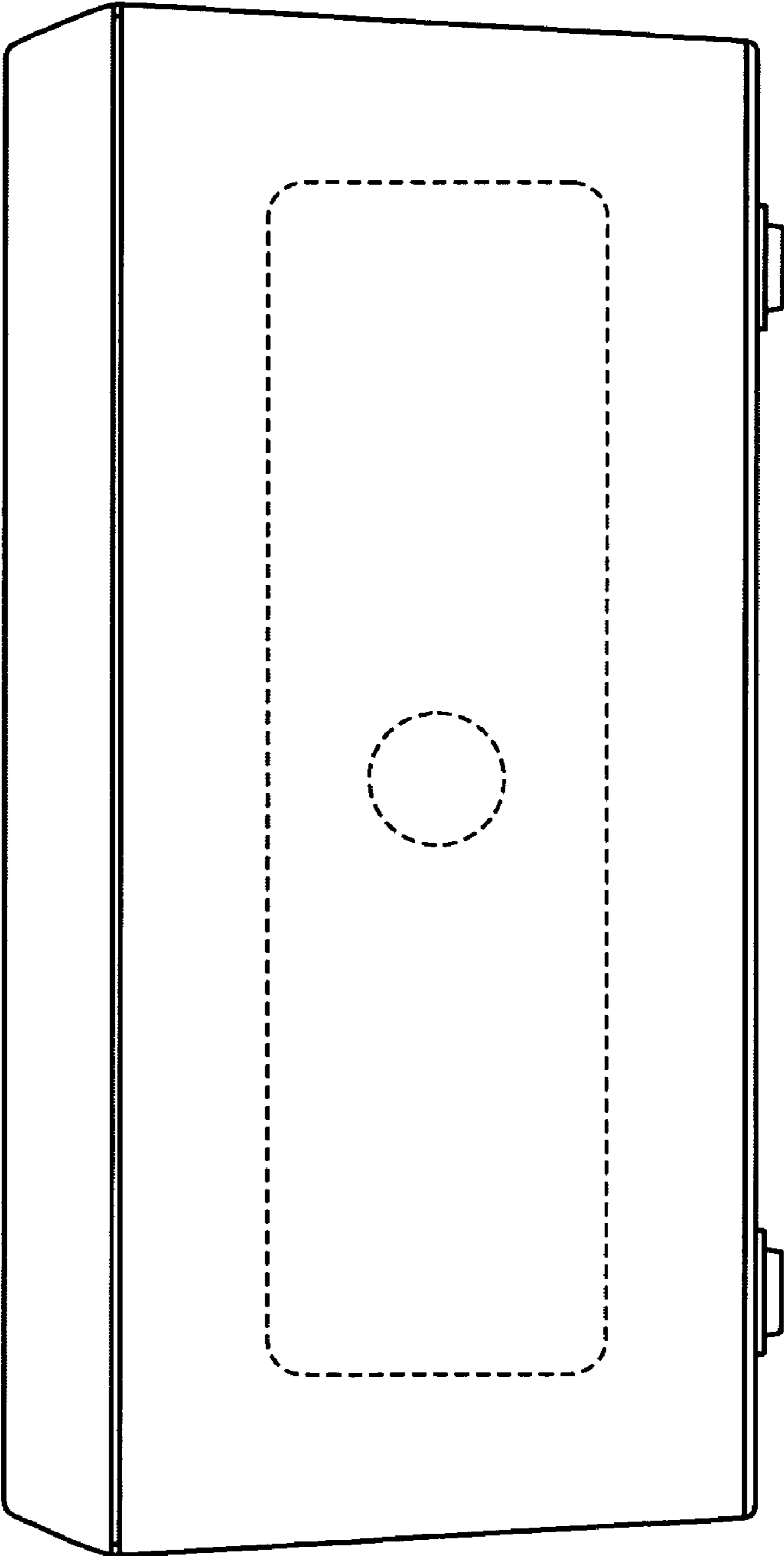


FIG. 3

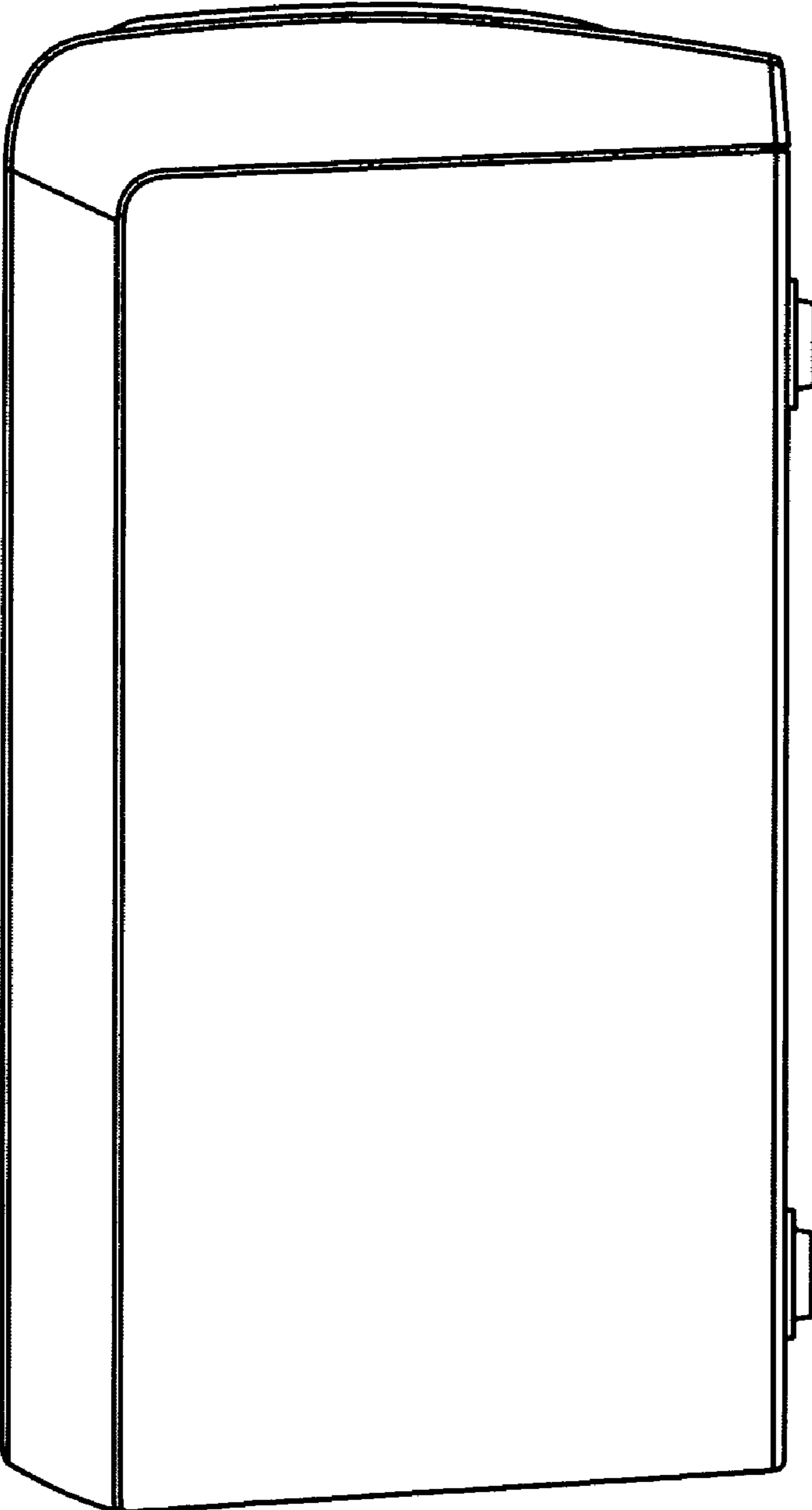


FIG. 4

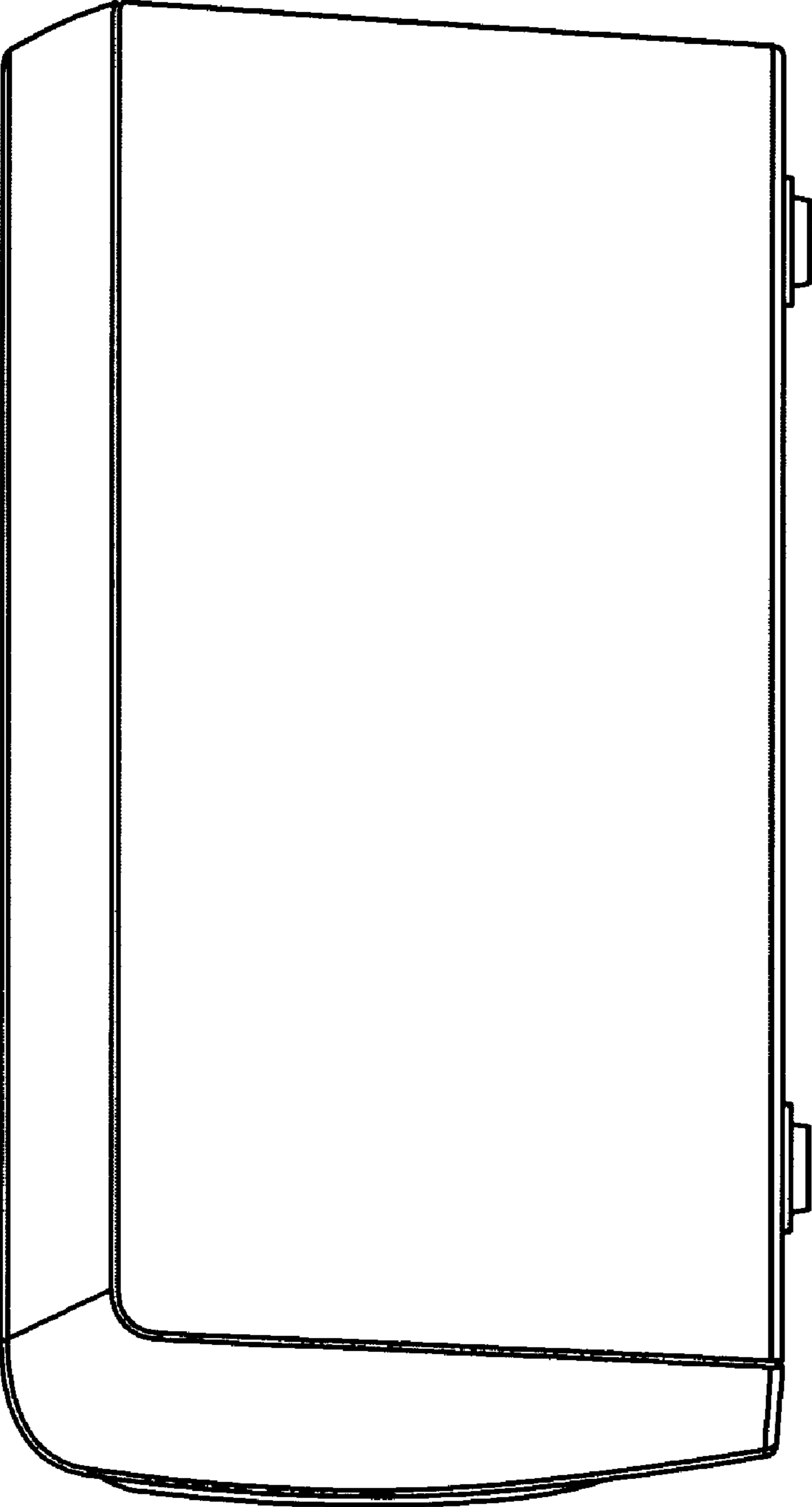


FIG. 5

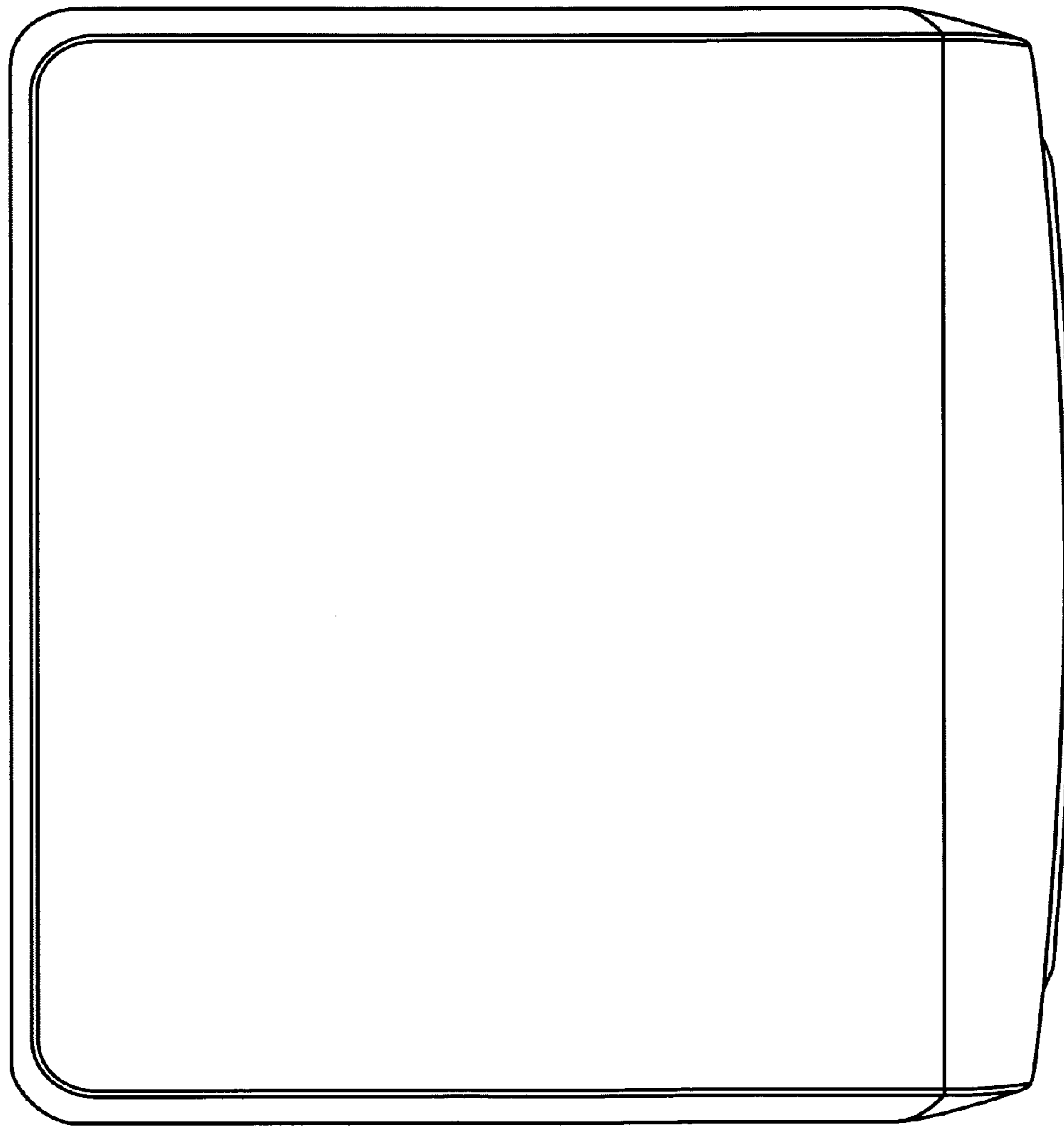


FIG. 6

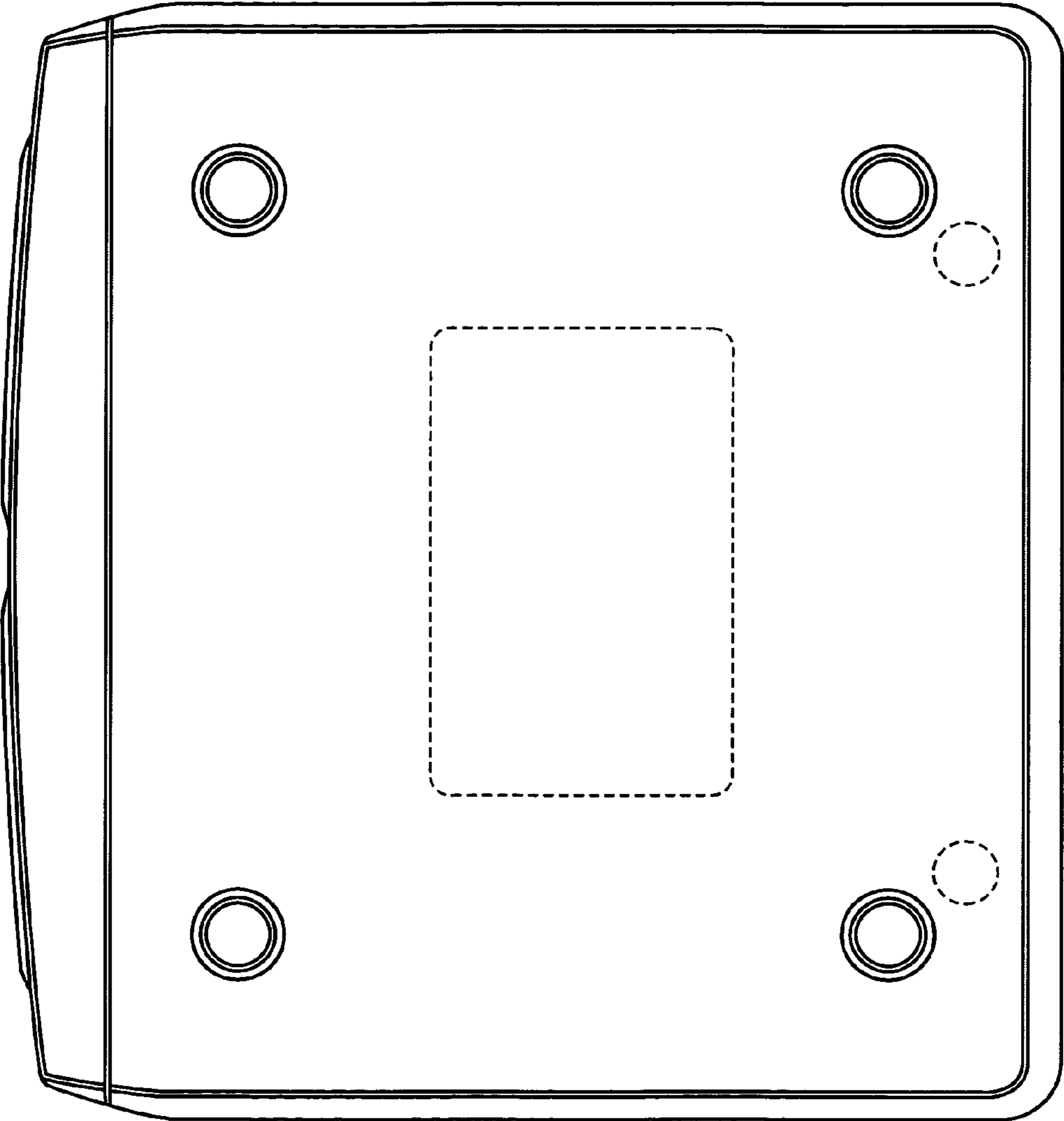


FIG. 7