



US00D612513S

(12) **United States Design Patent**  
**Hendricks et al.**

(10) **Patent No.:** **US D612,513 S**  
(45) **Date of Patent:** **\*\* Mar. 23, 2010**

(54) **UNIVERSAL DIALYZER CAP**

(75) Inventors: **Darrell Hendricks**, Layton, UT (US);  
**Scott Christofferson**, Taylor, UT (US);  
**Jayme Patterson**, West Haven, UT  
(US); **David Harris**, Hooper, UT (US)

(73) Assignee: **Fresenius Medical Care Holdings, Inc.**,  
Waltham, MA (US)

(\*\*) Term: **14 Years**

(21) Appl. No.: **29/341,049**

(22) Filed: **Jul. 29, 2009**

(51) **LOC (9) Cl.** ..... **24-01**

(52) **U.S. Cl.** ..... **D24/227; D24/108**

(58) **Field of Classification Search** ..... D24/108,  
D24/121, 224, 227, 231-232, 169, 129; D9/452,  
D9/435, 443, 531, 453; D23/249-250; 422/99-104;  
600/366; 215/252; 604/19, 27, 29  
See application file for complete search history.

(56) **References Cited**

U.S. PATENT DOCUMENTS

3,473,685	A	10/1969	Karlan	
D234,826	S	4/1975	Swenson	
4,163,722	A	8/1979	Cosentino et al.	
4,283,284	A	8/1981	Schnell	
4,402,420	A	9/1983	Chernack	
4,969,565	A	11/1990	Justal et al.	
5,015,374	A	5/1991	Mathieu et al.	
D408,504	S *	4/1999	Bowen	D23/249
5,954,957	A	9/1999	Chin-Loy et al.	
6,265,225	B1 *	7/2001	Otto et al.	422/104
D467,803	S	12/2002	Brown et al.	
D472,145	S *	3/2003	Nottingham et al.	D9/443
6,656,433	B2	12/2003	Sasso	
D491,063	S *	6/2004	Hicks et al.	D9/453
D495,416	S *	8/2004	Dimeo et al.	D24/129

D551,971	S	10/2007	Hardwick	
D563,228	S *	3/2008	Nottingham et al.	D9/531
D565,728	S	4/2008	Jones	
2002/0141904	A1 *	10/2002	Rosen et al.	422/99
2003/0075498	A1	4/2003	Watkins et al.	
2003/0102264	A1	6/2003	Pope et al.	

FOREIGN PATENT DOCUMENTS

JP	2149319	A	6/1990
JP	2002 028233	A	1/2002
JP	2002 177382	A	6/2002

\* cited by examiner

*Primary Examiner*—T. Chase Nelson

*Assistant Examiner*—Mark Cavanna

(74) *Attorney, Agent, or Firm*—Leydig, Voit & Mayer, Ltd.

(57) **CLAIM**

What is claimed is the ornamental design for a universal dialyzer cap, as shown and described.

**DESCRIPTION**

FIG. 1 is a perspective view taken from above of a universal dialyzer cap;

FIG. 2 is another perspective view taken from below of the universal dialyzer cap of FIG. 1;

FIG. 3 is a top plan view of the universal dialyzer cap of FIG. 1;

FIG. 4 is an elevational view of the universal dialyzer cap of FIG. 1, the view from each side being the same; and,

FIG. 5 is a bottom plan view of the universal dialyzer cap of FIG. 1.

The broken lines are included for the purpose of illustrating portions of the universal dialyzer cap that forms no part of the claimed design.

**1 Claim, 3 Drawing Sheets**

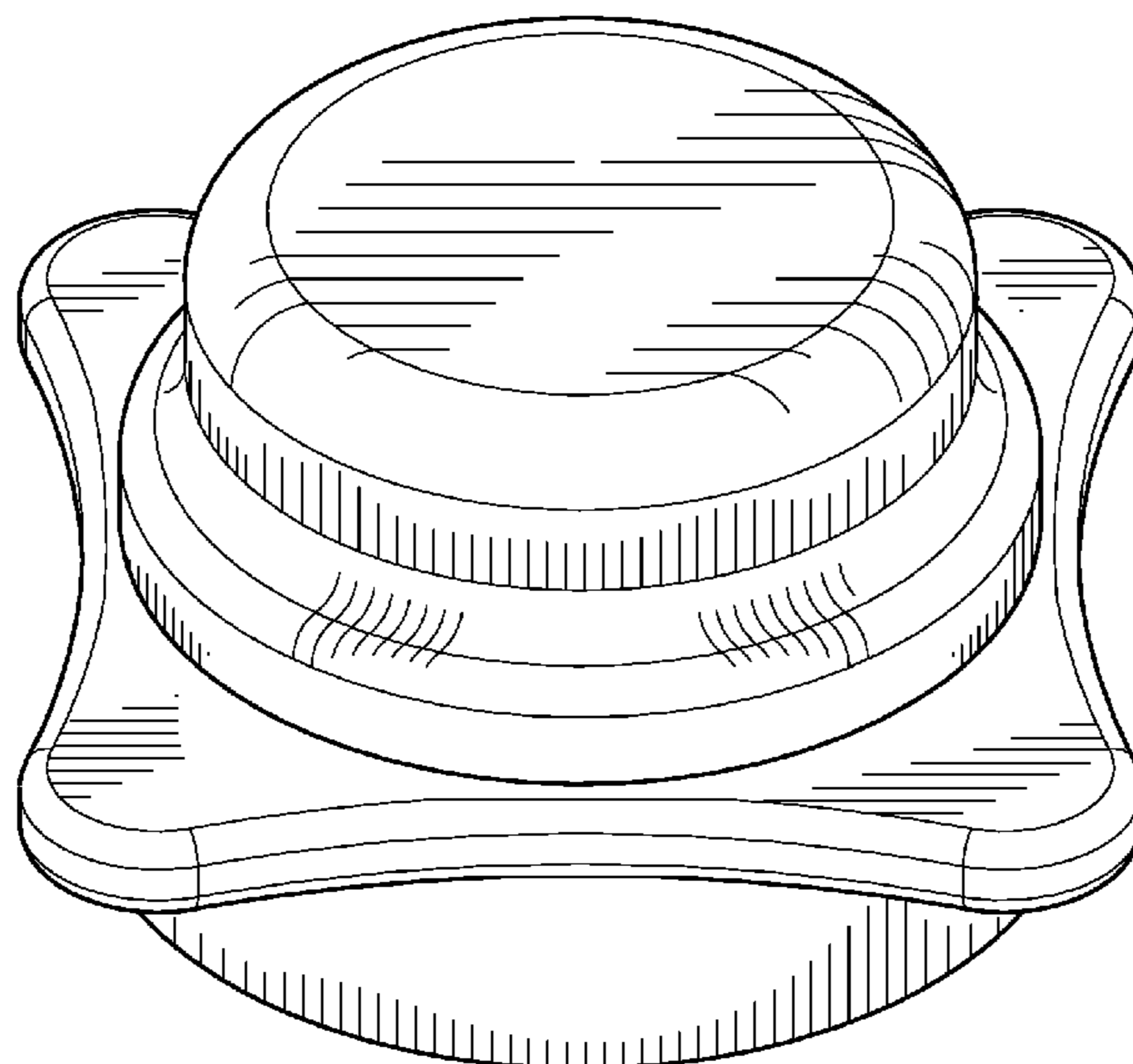


FIG. 1

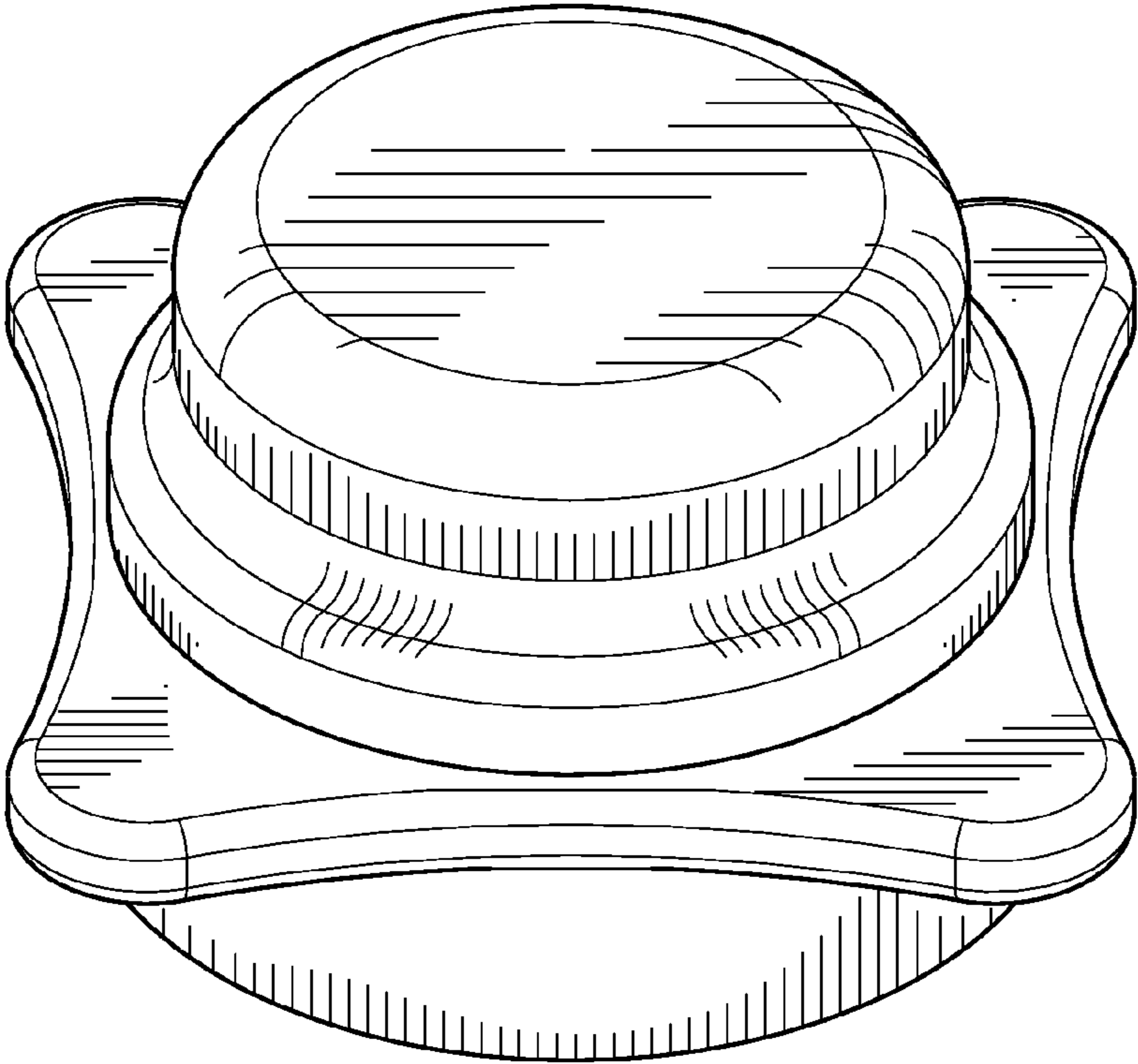


FIG. 2

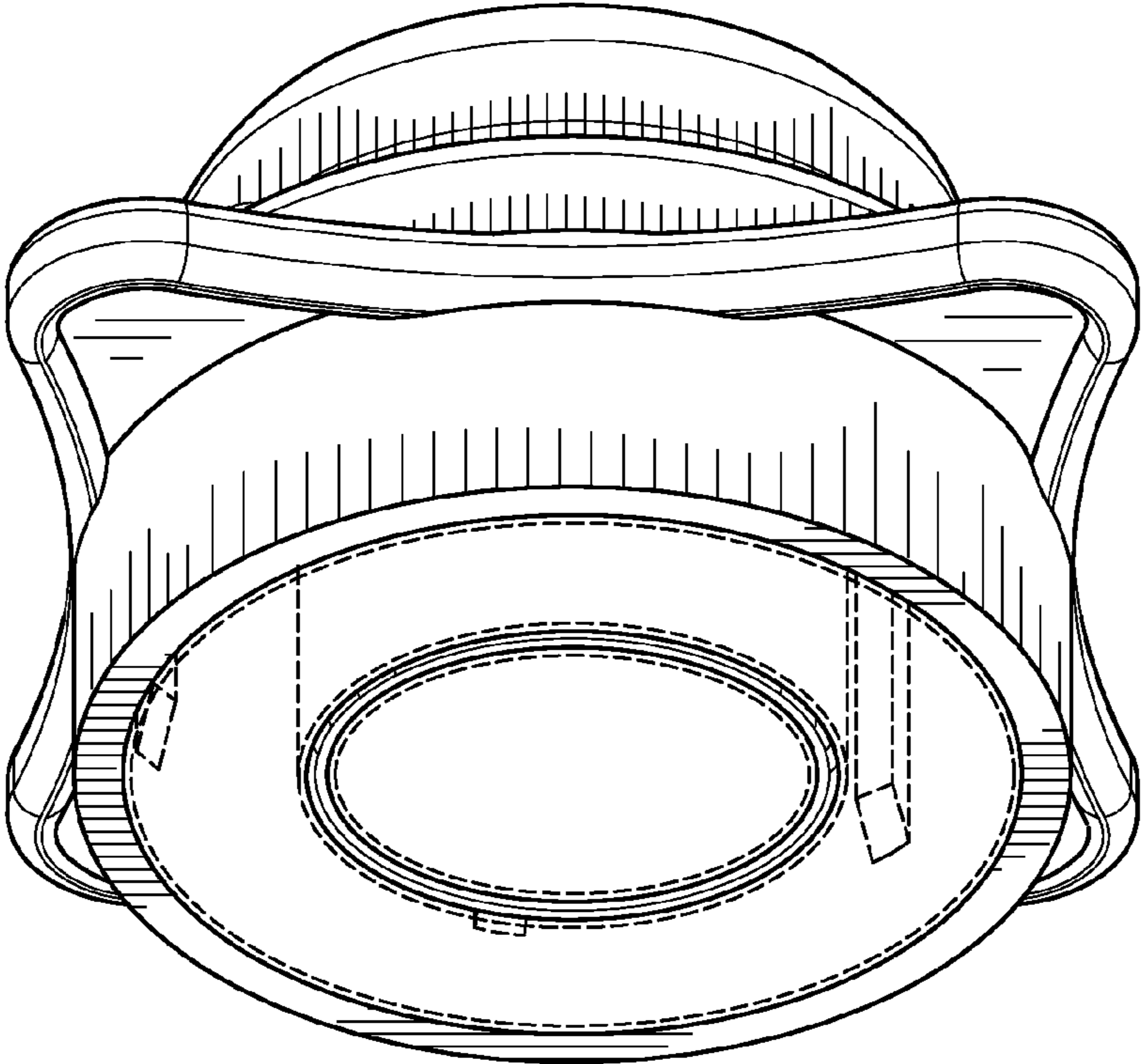


FIG. 3

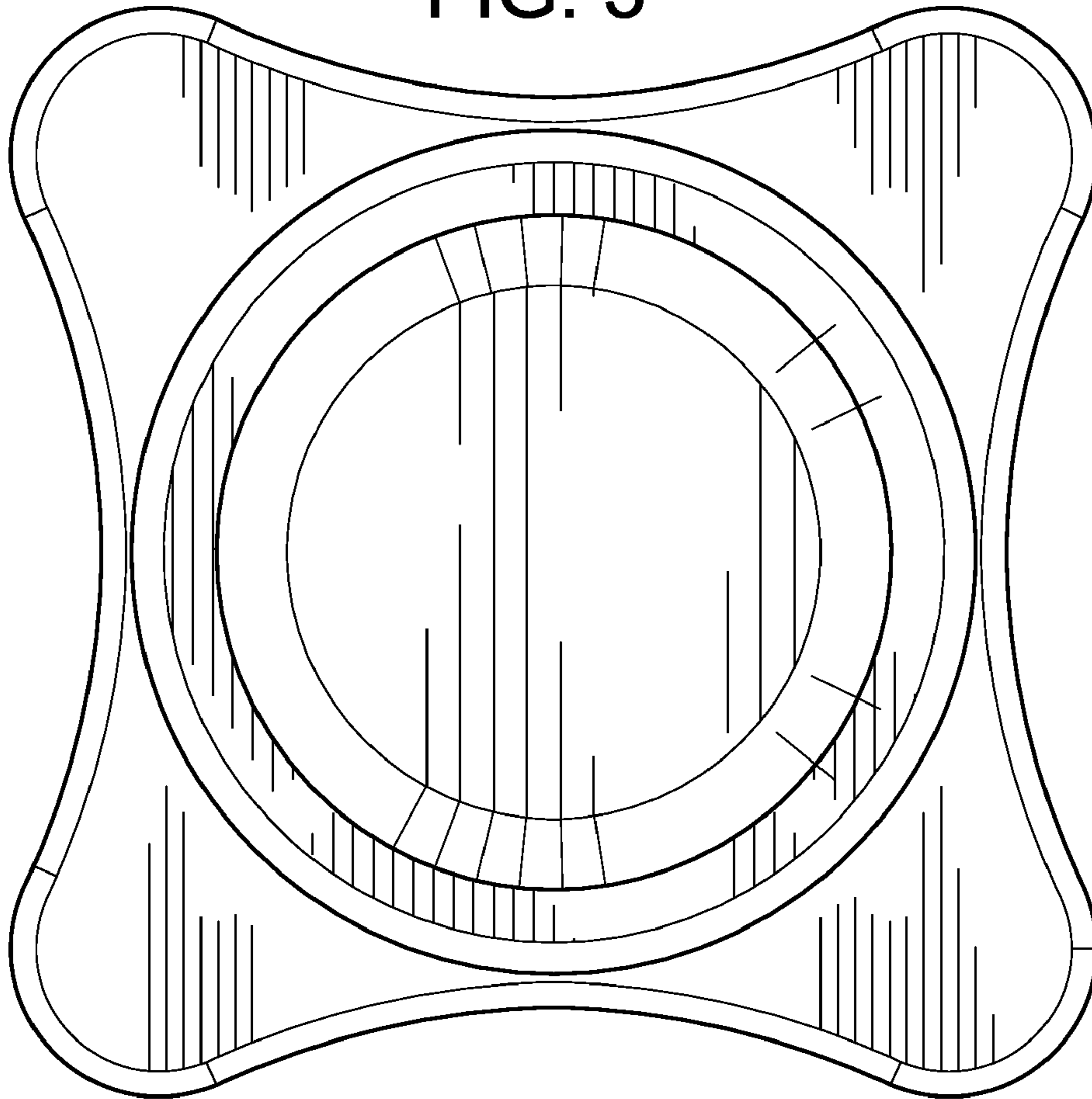


FIG. 4

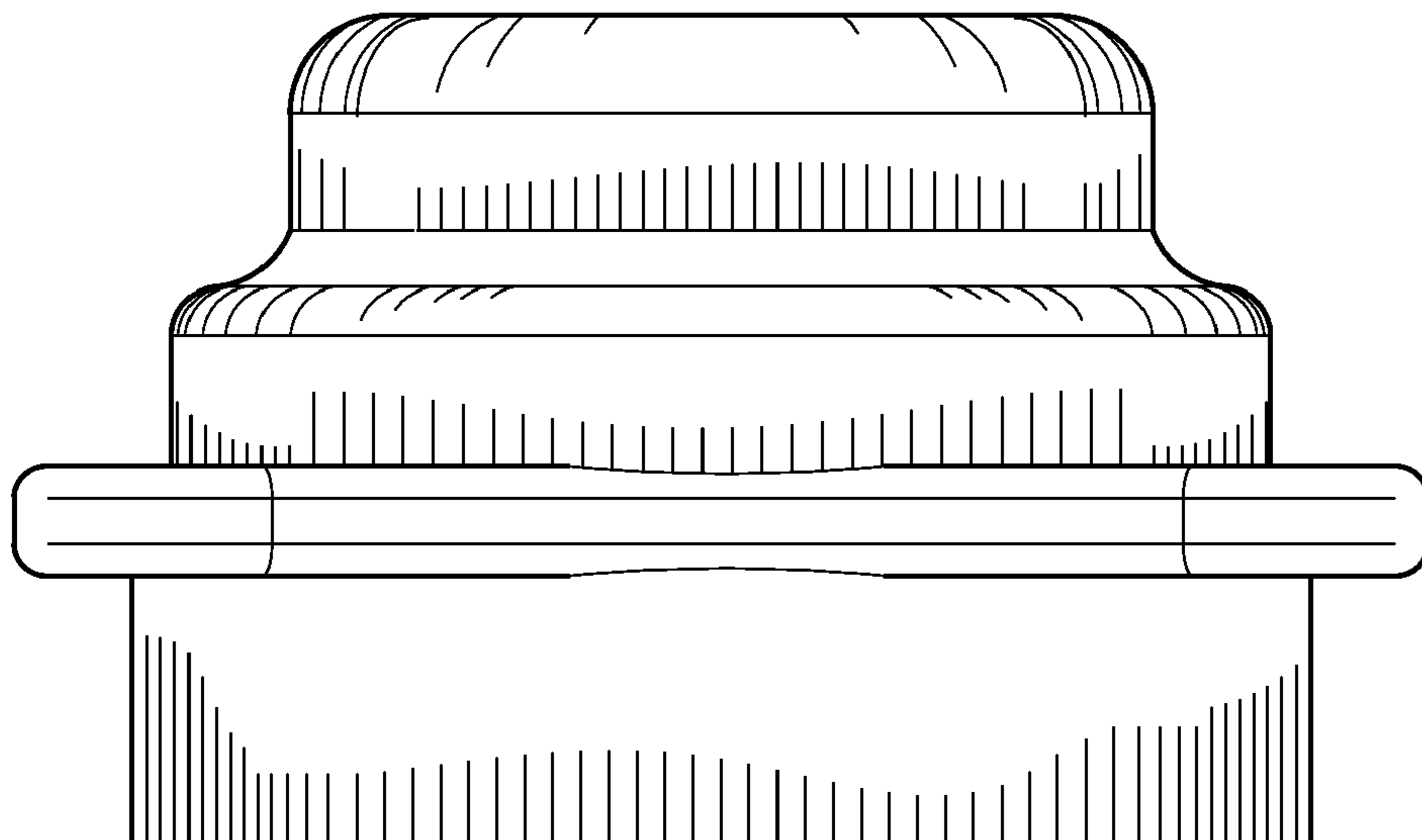


FIG. 5

