

US00D612512S

(12) **United States Design Patent**  
**Stevens et al.**

(10) **Patent No.:** **US D612,512 S**  
(45) **Date of Patent:** **\*\* Mar. 23, 2010**

(54) **HEATABLE HOUSING FOR CONTACT LENS CONTAINERS**

2007/0170075 A1\* 7/2007 Winters et al. .... 206/5.1  
2007/0261970 A1\* 11/2007 Stull ..... 206/5.1  
2008/0272009 A1\* 11/2008 Coon ..... 206/5.1

(75) Inventors: **Dale Stevens**, Spence (AU); **Blake Stevens**, Palmerston (AU)

FOREIGN PATENT DOCUMENTS

(73) Assignee: **Qirx Pty Ltd.**, Mitchell Australian Capital Territory (AU)

EP 0 021 828 A2 1/1981  
JP 04073063 A2 3/1992  
WO WO 2008/141365 A1 11/2008

(\*\*) Term: **14 Years**

OTHER PUBLICATIONS

(21) Appl. No.: **29/328,607**

Increased Corneal Temperature Caused by MR Imaging of the Eye with a Dedicated Local Coil, Drs. Shellock and Schatz, Radiology 1992; 185:697-699.

(22) Filed: **Nov. 26, 2008**

Laboratory Heating Plate by UVP; Jun, 26, 2006 07:40:10.  
Deluxe Laboratory Heater/Hotplate from Online Science Mall Web site.

(30) **Foreign Application Priority Data**

May 27, 2008 (AU) ..... 12544/2008

\* cited by examiner

(51) **LOC (9) Cl.** ..... **24-02**

*Primary Examiner*—Caron Veynar

(52) **U.S. Cl.** ..... **D24/218**

*Assistant Examiner*—Kelley A Donnelly

(58) **Field of Classification Search** ..... D3/263-264;  
D24/218; D16/331; 206/5.1

(74) *Attorney, Agent, or Firm*—Seyfarth Shaw LLP

See application file for complete search history.

(57) **CLAIM**

(56) **References Cited**

We claim the ornamental design for a heatable housing for contact lens containers, as shown and described.

U.S. PATENT DOCUMENTS

**DESCRIPTION**

4,044,226	A	8/1977	Kadlecik et al.	
4,307,289	A	12/1981	Thomas et al.	
4,329,568	A	5/1982	Rocher et al.	
4,341,948	A	7/1982	Sundstrom et al.	
4,369,355	A	1/1983	Helixon	
4,472,623	A	9/1984	Futter	
4,529,868	A	7/1985	Bowen	
D285,744	S *	9/1986	Vinot	D3/264
4,743,738	A	5/1988	Ryder et al.	
4,858,754	A *	8/1989	Wright et al.	206/5.1
5,452,792	A *	9/1995	Zautke et al.	206/5.1
6,318,548	B1 *	11/2001	Travis	206/5.1
D498,590	S *	11/2004	Borovsky	D3/264
D512,565	S *	12/2005	Sasso	D3/264
D575,955	S *	9/2008	Maraia et al.	D3/264

FIG. 1 is a left side elevational view of a heatable housing for contact lens containers showing our new design.

FIG. 2 is a rear elevational view thereof.

FIG. 3 is a top elevational view thereof;

FIG. 4 is a front elevational view thereof

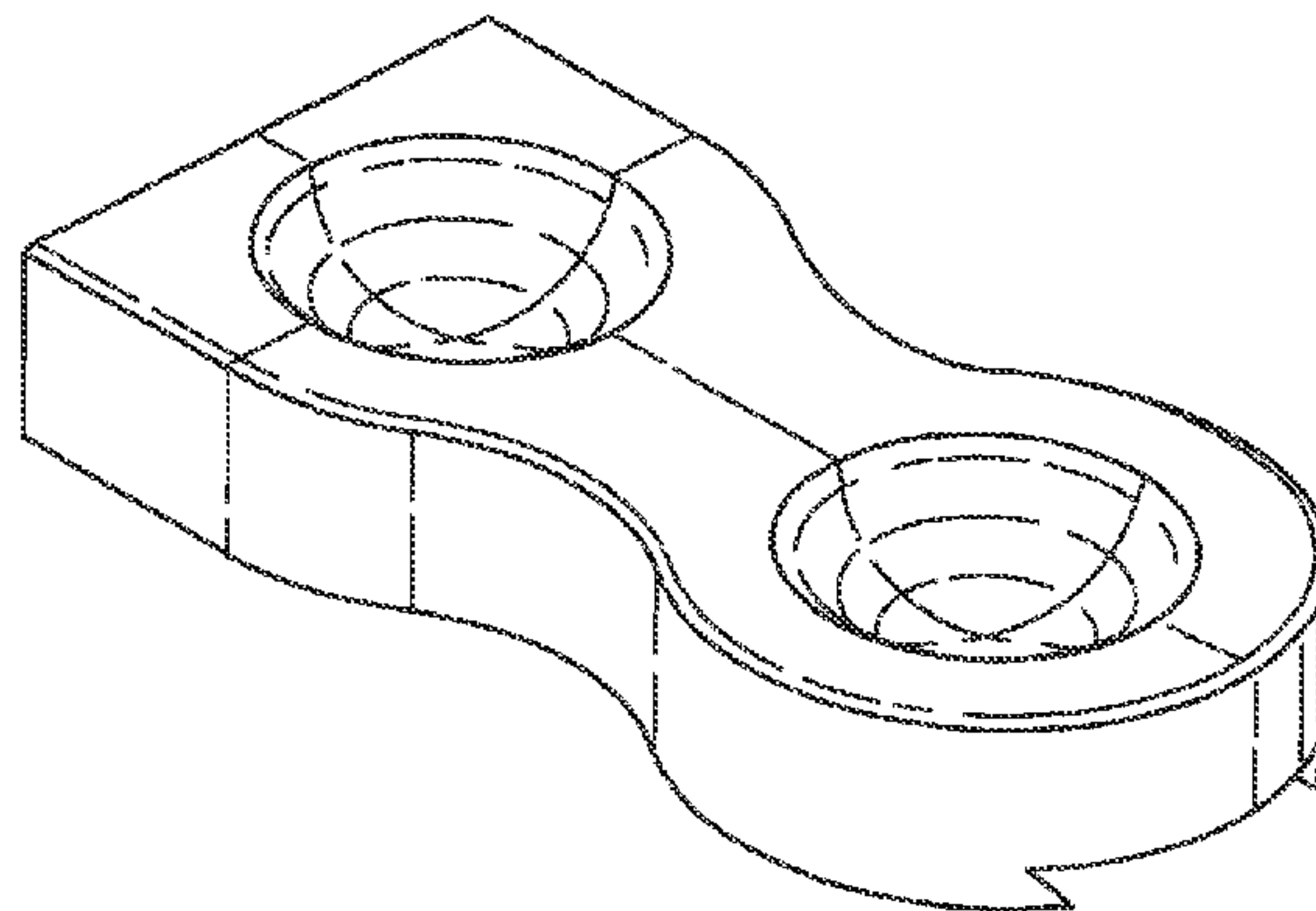
FIG. 5 is a bottom plan view thereof;

FIG. 6 is a right-side elevational view thereof;

FIG. 7 is a front perspective view thereof; and,

FIG. 8 is a rear perspective view thereof.

**1 Claim, 2 Drawing Sheets**



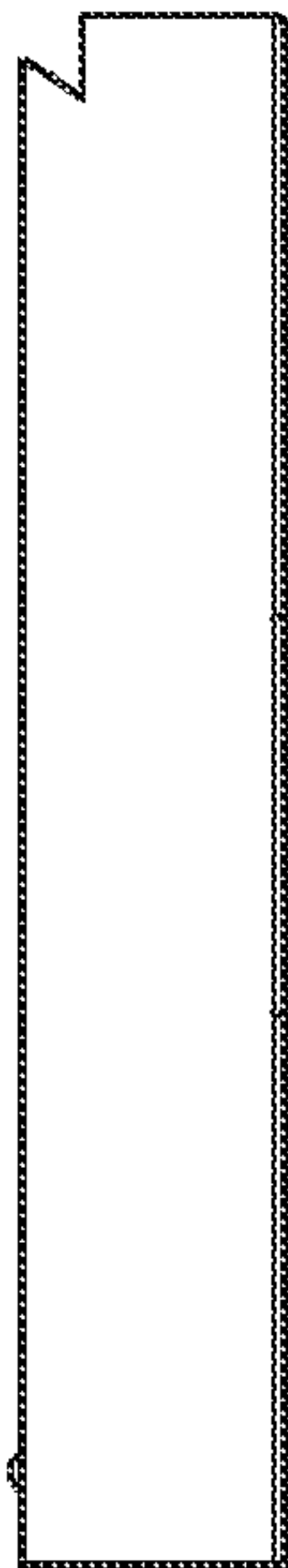


FIG. 1

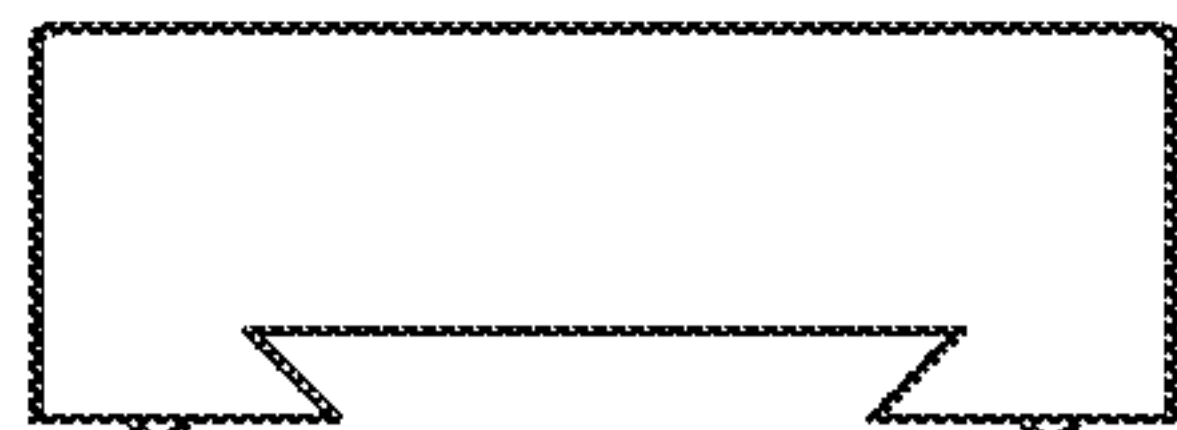


FIG. 2

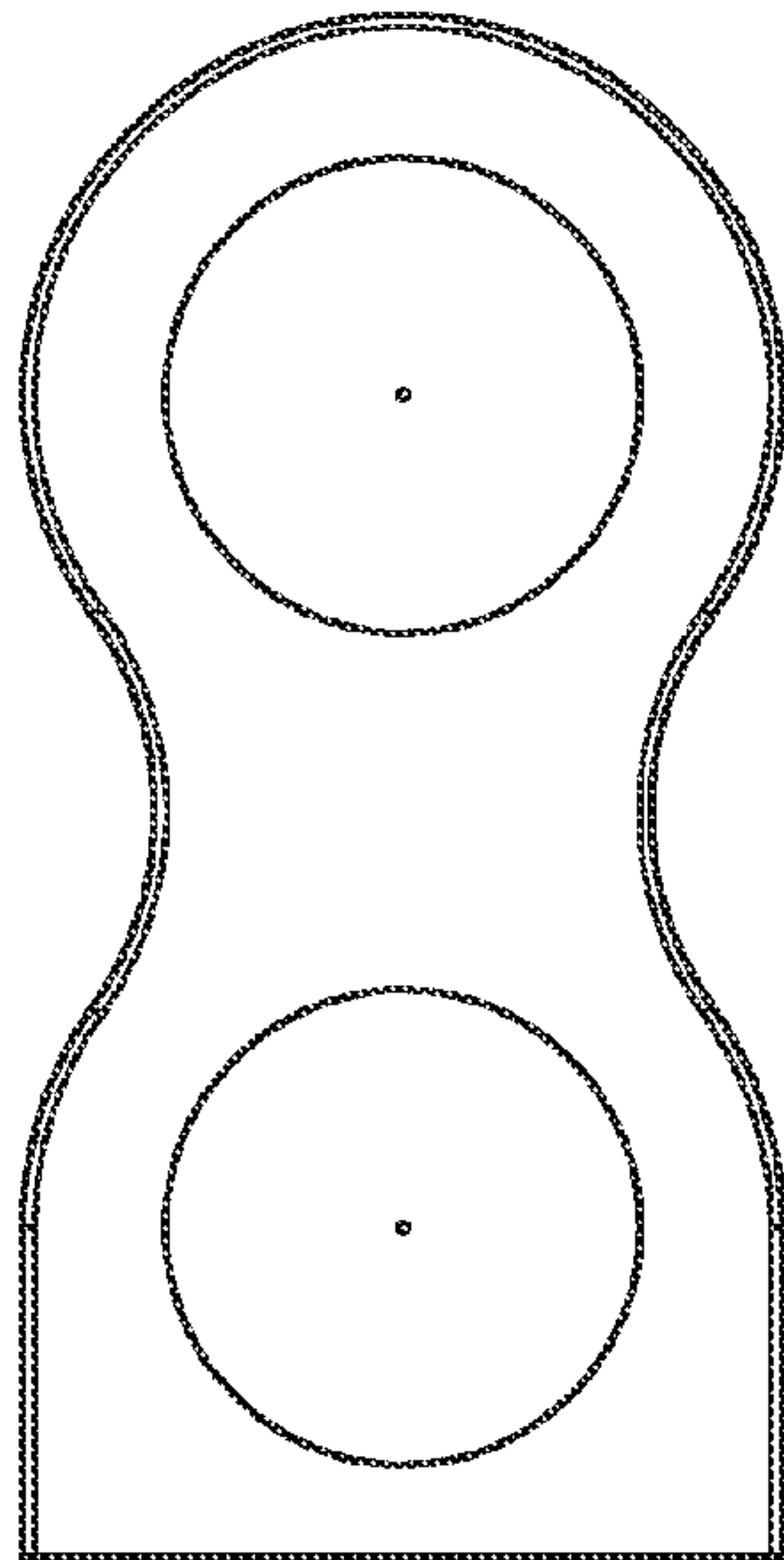


FIG. 3

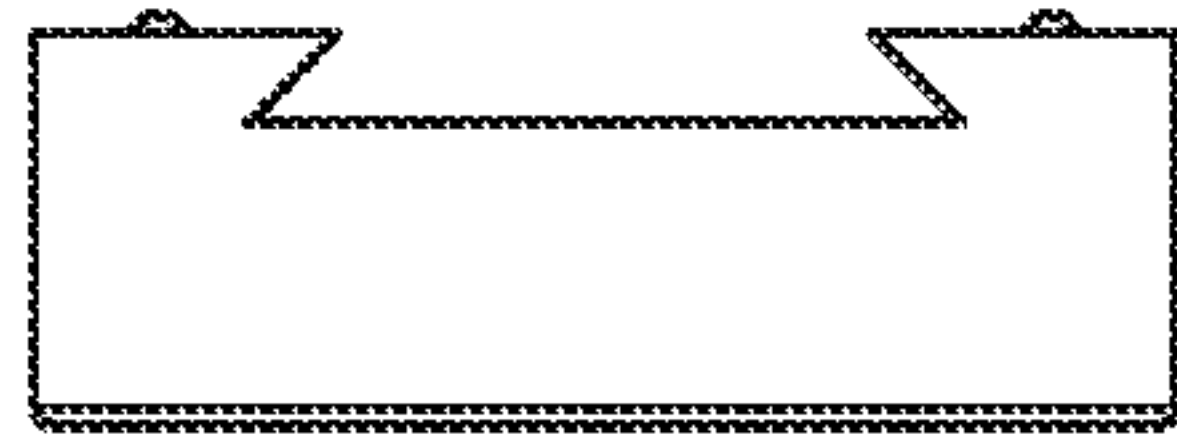


FIG. 4

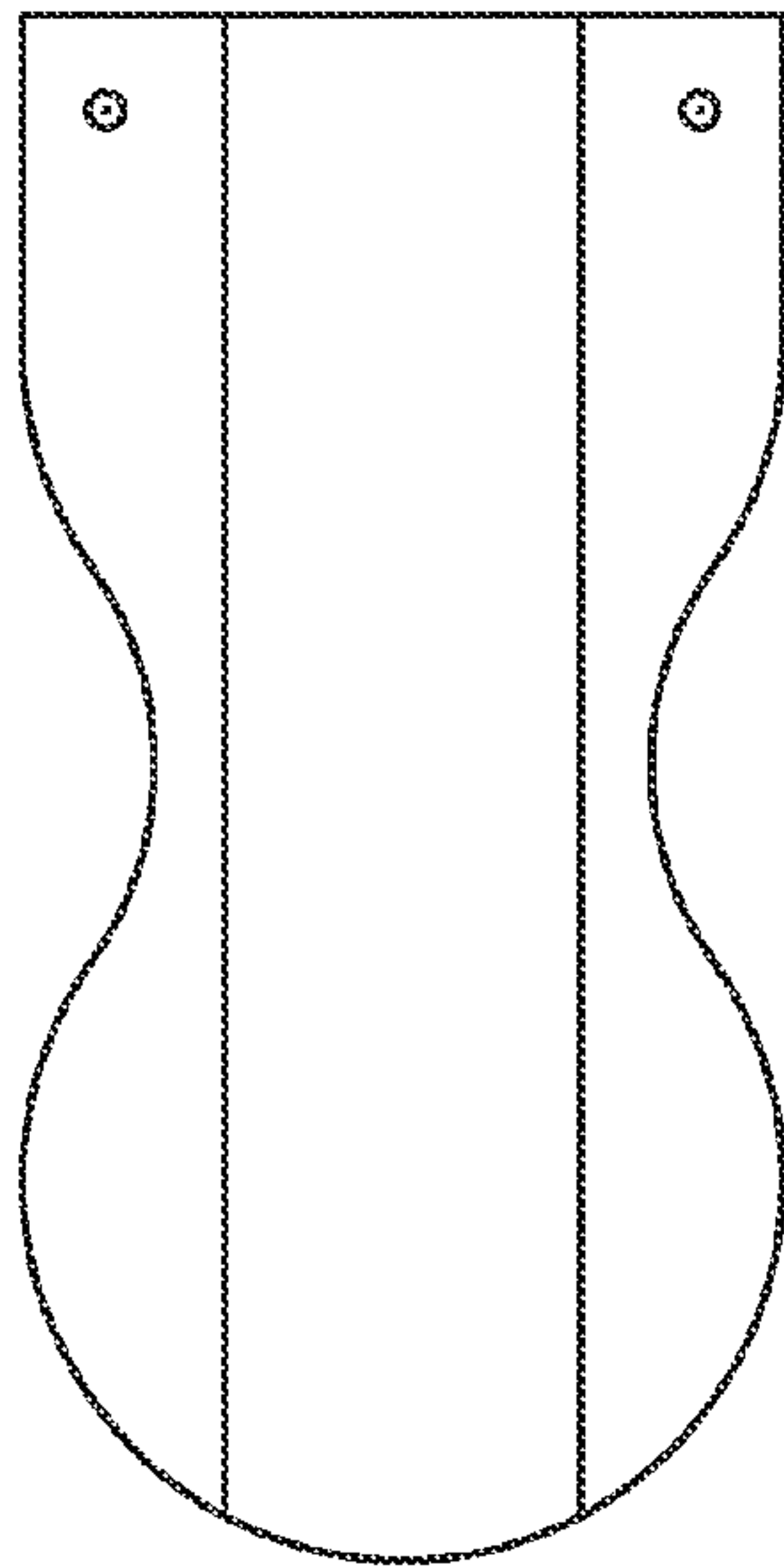


FIG. 5

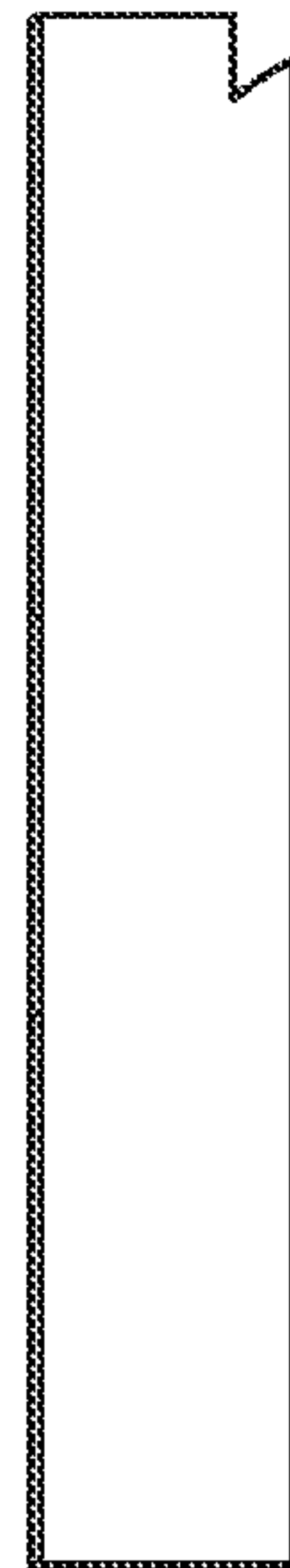


FIG. 6

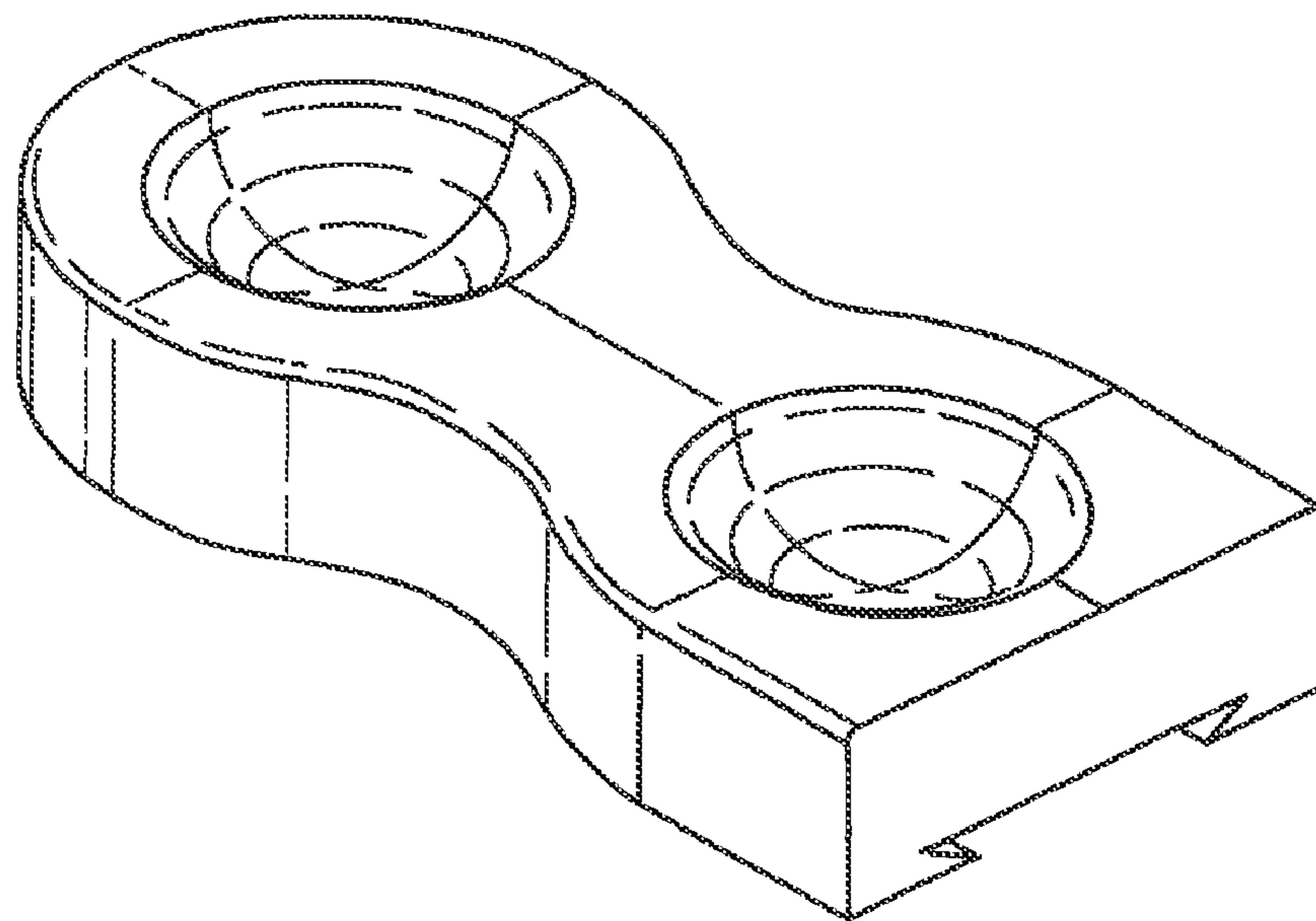


FIG. 8

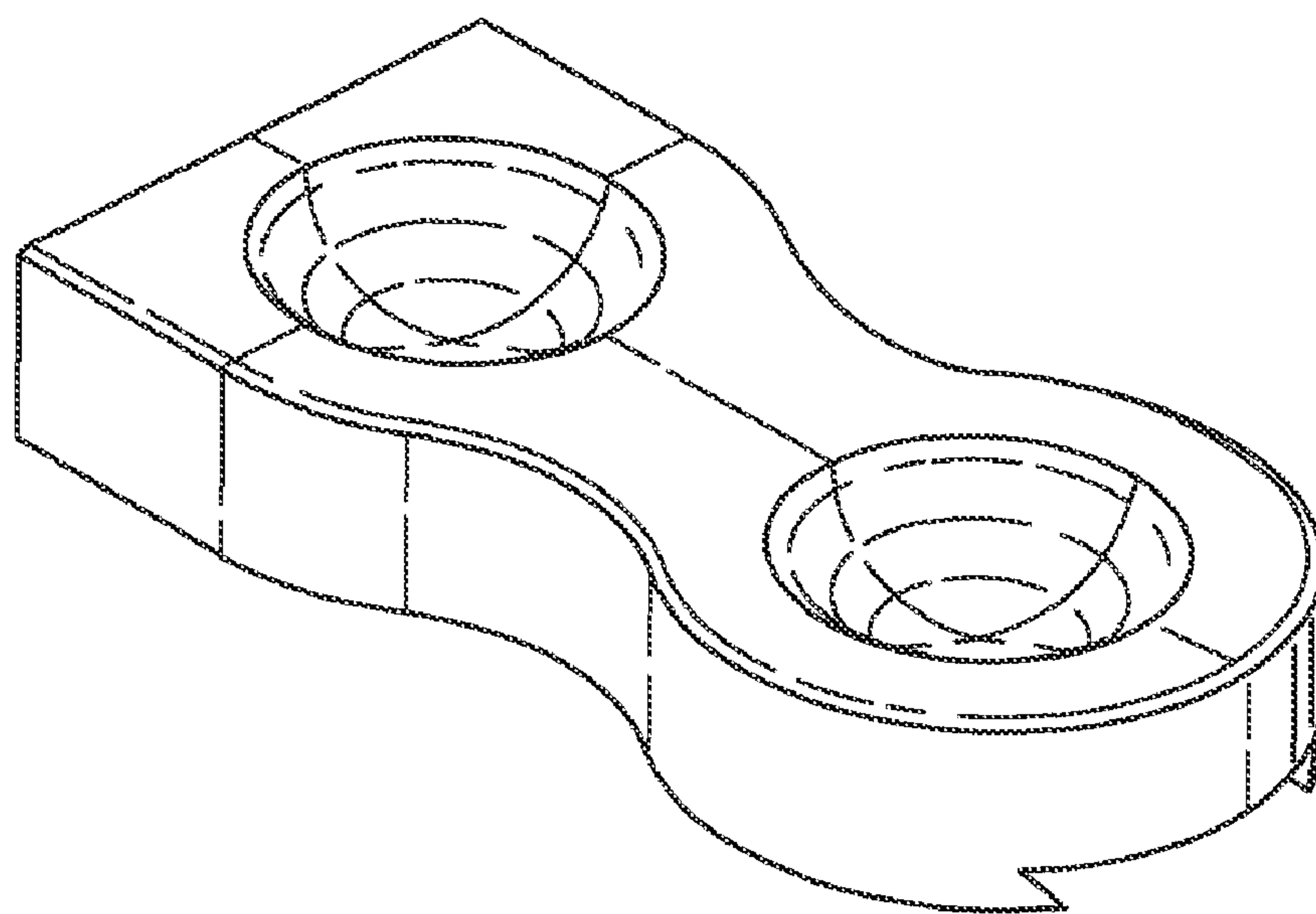


FIG. 7