



US00D612510S

(12) **United States Design Patent**
Byle

(10) **Patent No.:** **US D612,510 S**
(45) **Date of Patent:** **** Mar. 23, 2010**

(54) **LIGHT THERAPY WAND**

(75) Inventor: **Brian Byle**, Manchester, NH (US)

(73) Assignee: **Brookstone Purchasing, Inc.**,
Merrimack, NH (US)

(**) Term: **14 Years**

(21) Appl. No.: **29/324,204**

(22) Filed: **Sep. 8, 2008**

(51) **LOC (9) Cl.** **28-03**

(52) **U.S. Cl.** **D24/210**

(58) **Field of Classification Search** D24/210,
D24/133, 158, 200, 209, 211-215; D23/223;
D26/37; D28/13, 17; 362/19, 29, 109, 259,
362/260, 262, 800; 601/15; 606/1, 2, 2.5;
607/1-3, 7, 88, 90-95

See application file for complete search history.

(56) **References Cited**

U.S. PATENT DOCUMENTS

D133,969	S	*	9/1942	Warren	D24/210
5,001,608	A	*	3/1991	Kehrli et al.	362/19
D338,964	S	*	8/1993	Tarjoto	D24/200
D339,627	S	*	9/1993	Klose	D23/223
D355,259	S	*	2/1995	Lie	D24/215
D361,404	S	*	8/1995	Haas	D28/7
5,530,632	A	*	6/1996	Shikano et al.	362/109
D372,788	S	*	8/1996	Brun	D24/215
D400,258	S	*	10/1998	Bolleter	D24/210
D414,582	S	*	9/1999	Hwang	D28/9
D424,161	S	*	5/2000	Haug et al.	D23/223
D430,643	S	*	9/2000	Tse	D23/223
D441,456	S	*	5/2001	Thiberg	D24/210
D457,265	S	*	5/2002	Gebhard	D28/9
D466,217	S	*	11/2002	Harris et al.	D24/215

6,500,198	B1	*	12/2002	Southard	607/88
D474,843	S	*	5/2003	McQueen	D24/215
6,692,505	B1	*	2/2004	Maier et al.	606/131
D500,854	S	*	1/2005	Eichel	D24/146
D503,774	S	*	4/2005	Zieger	D23/223
D507,654	S	*	7/2005	Gollnick et al.	D24/210
D509,301	S	*	9/2005	Talbot et al.	D24/215
D523,561	S	*	6/2006	Telford	D24/215
D533,943	S	*	12/2006	Chen	D24/146
2005/0015121	A1	*	1/2005	Molina	607/88
2005/0251242	A1	*	11/2005	Bousfield et al.	607/150
2006/0247742	A1	*	11/2006	Lee	607/89

* cited by examiner

Primary Examiner—Prabhakar Deshmukh

Assistant Examiner—Derrick Holland

(74) *Attorney, Agent, or Firm*—Grossman Tucker Perreault & Pflieger, PLLC

(57) **CLAIM**

The ornamental design for a light therapy wand, as shown and described.

DESCRIPTION

FIG. 1 is a frontal perspective view of a light therapy wand.

FIG. 2 is a front elevation view thereof.

FIG. 3 is a rear elevation view thereof.

FIG. 4 is a right side elevation view thereof.

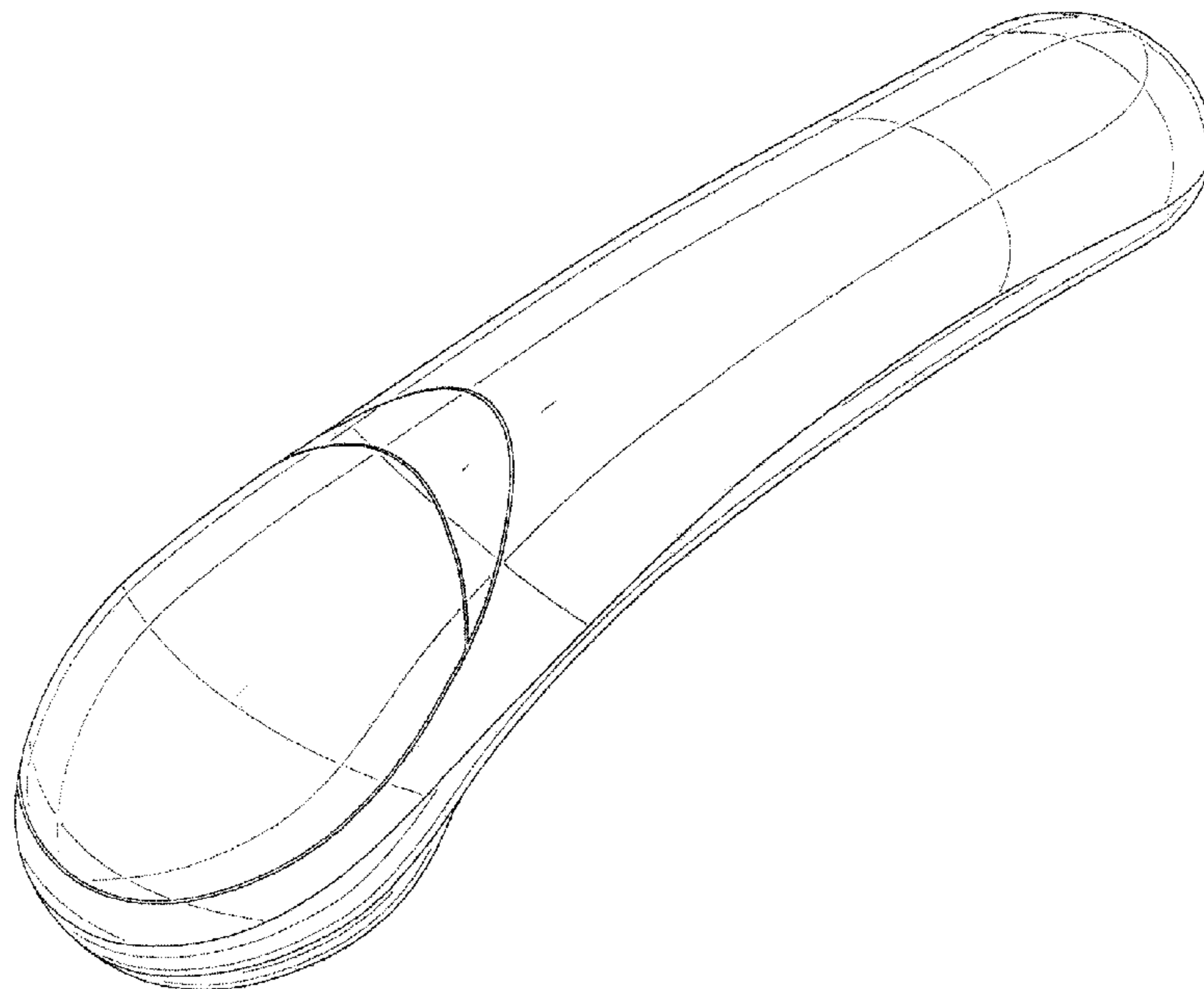
FIG. 5 is a left side elevation view thereof.

FIG. 6 is a top plan view thereof; and,

FIG. 7 is a bottom plan view thereof.

The broken lines shown on the drawings are for illustrative purposes only and form no part of the claimed design.

1 Claim, 5 Drawing Sheets



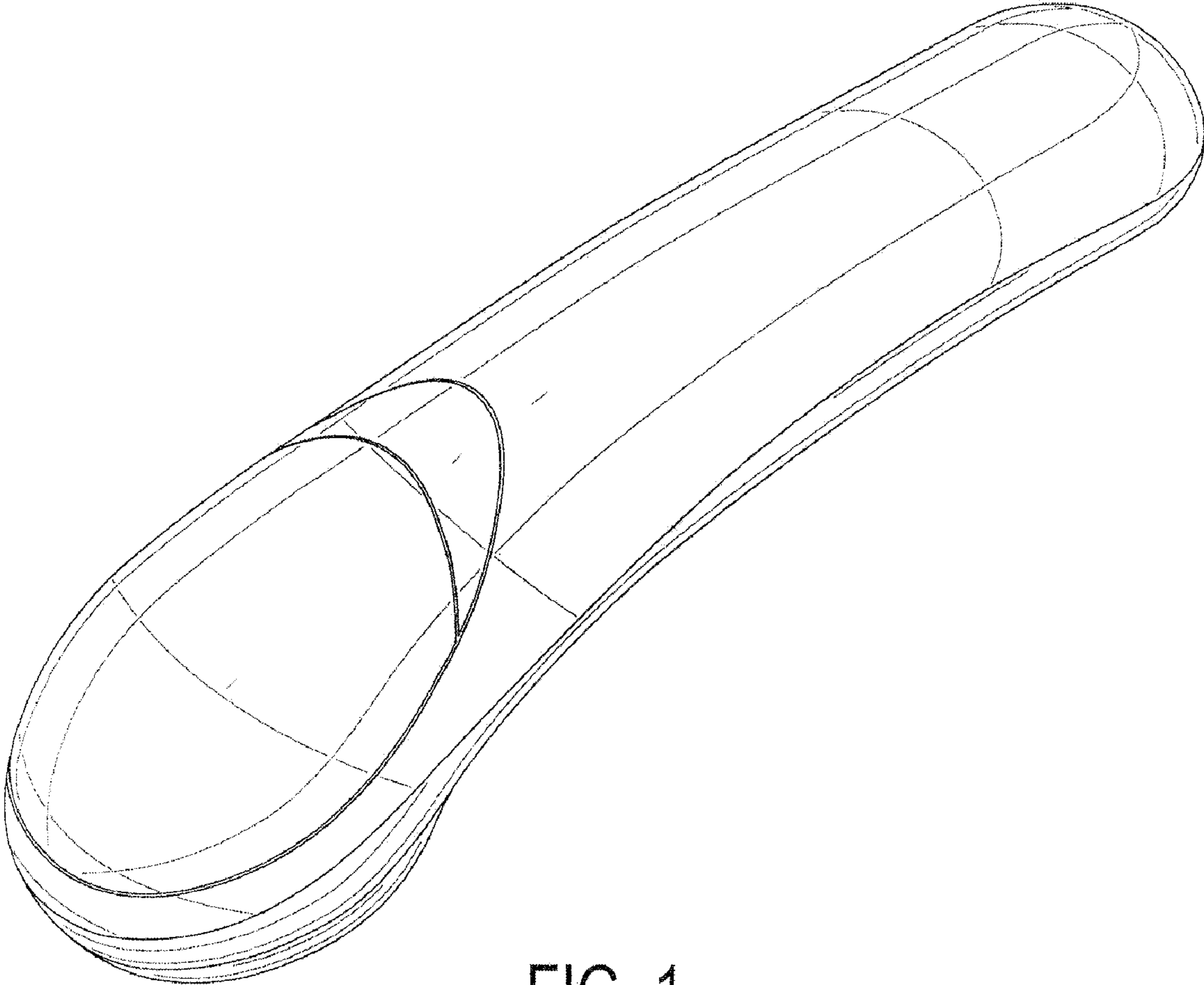


FIG. 1

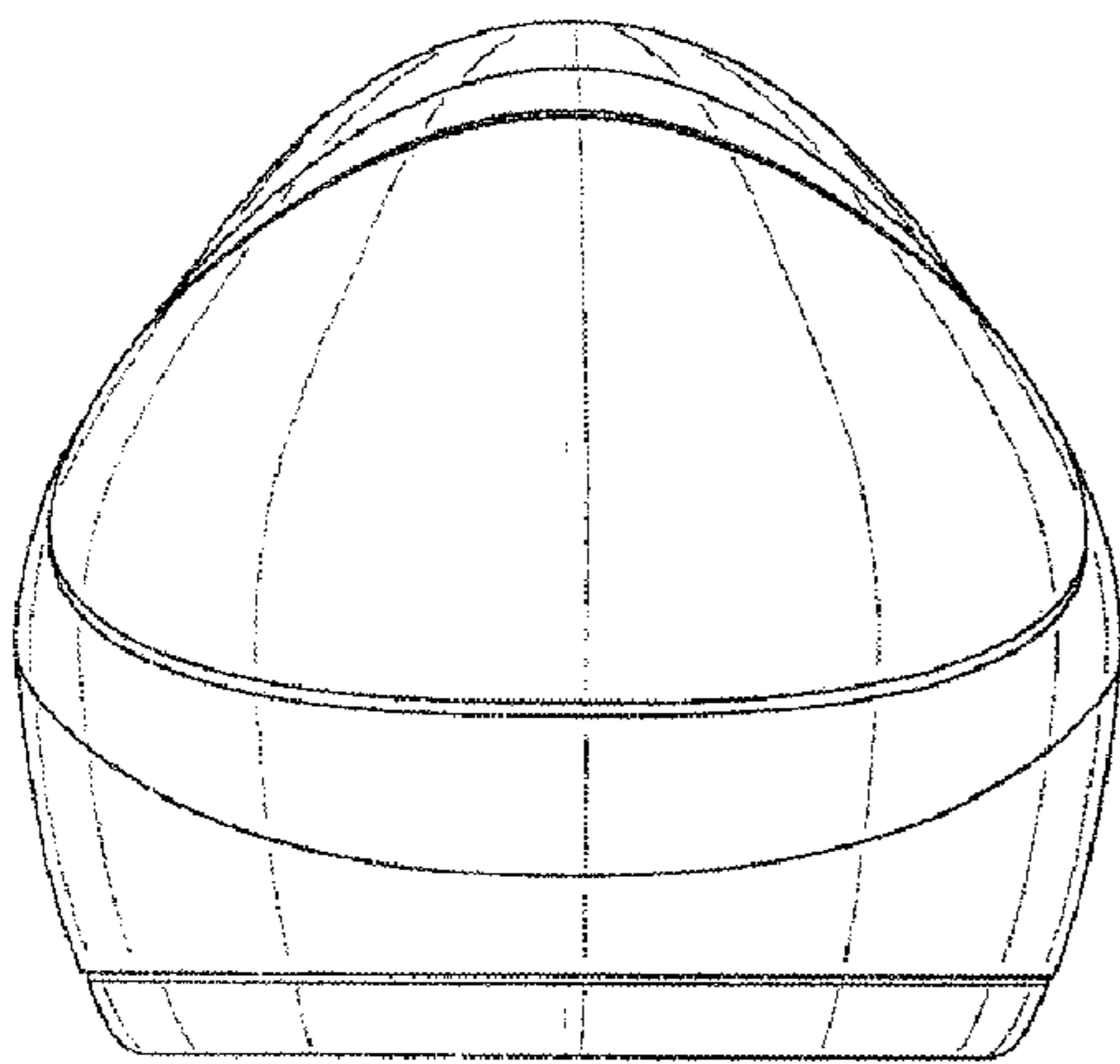


FIG. 2

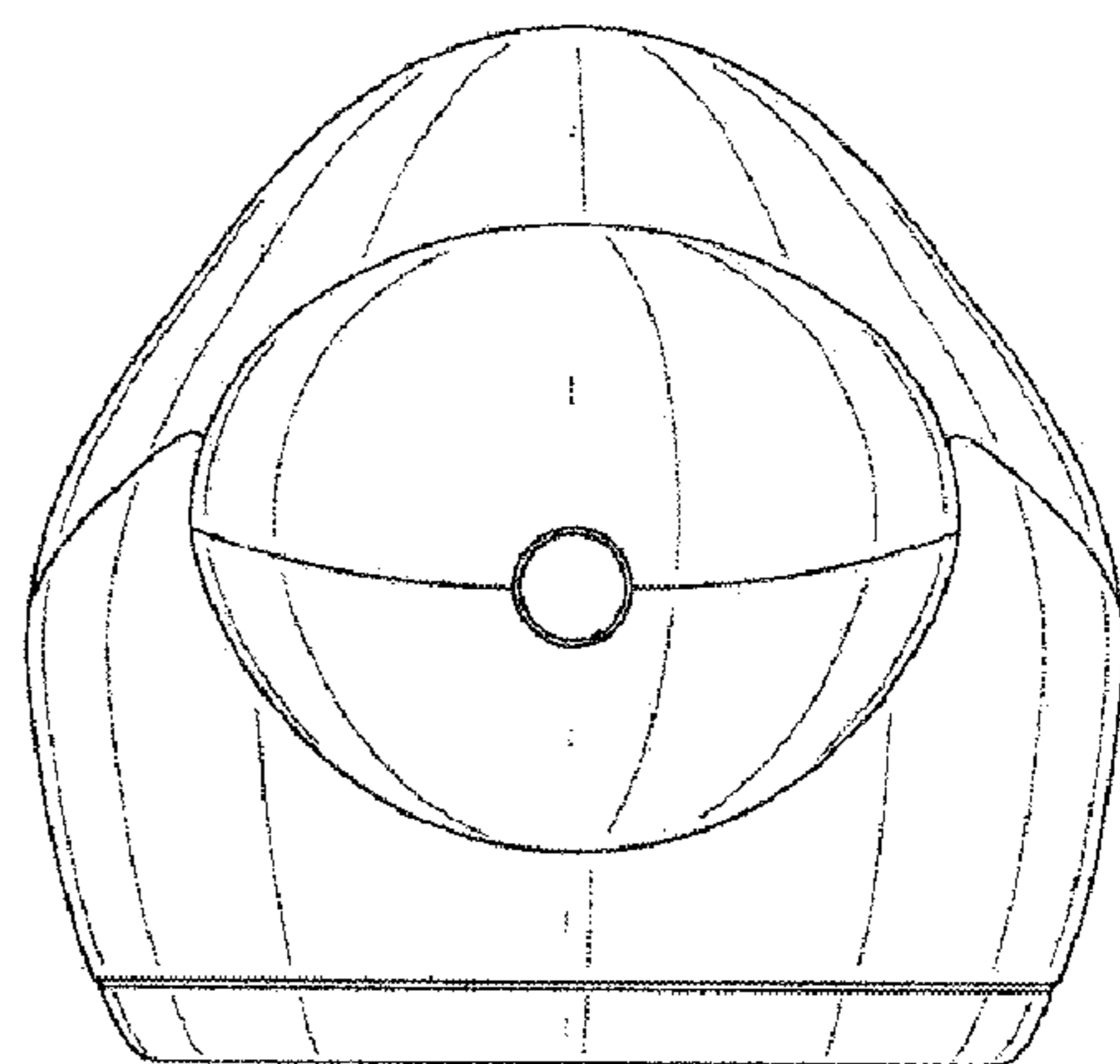


FIG. 3

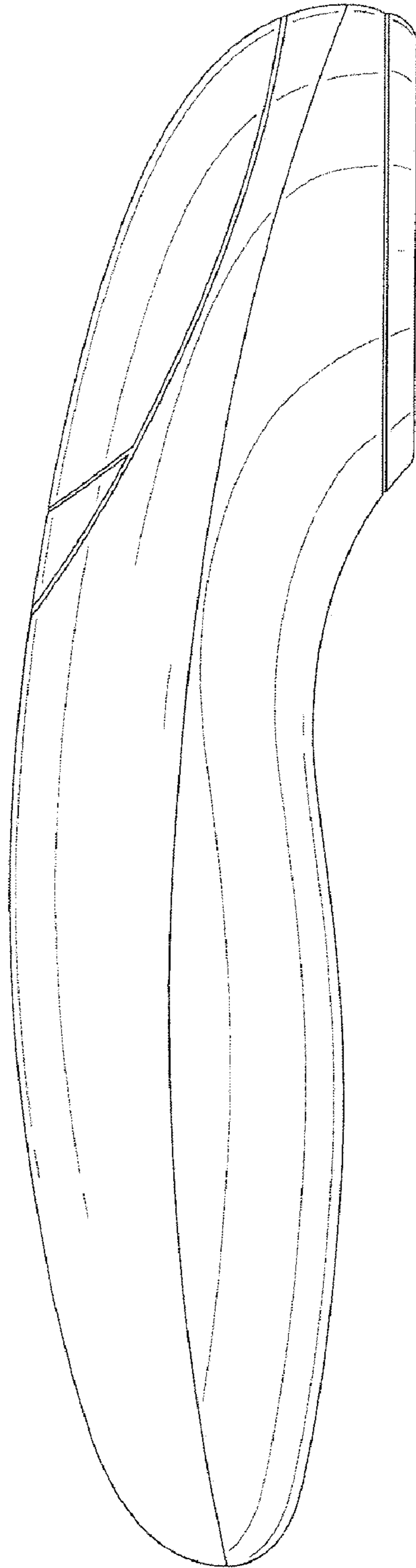


FIG. 4



FIG. 5

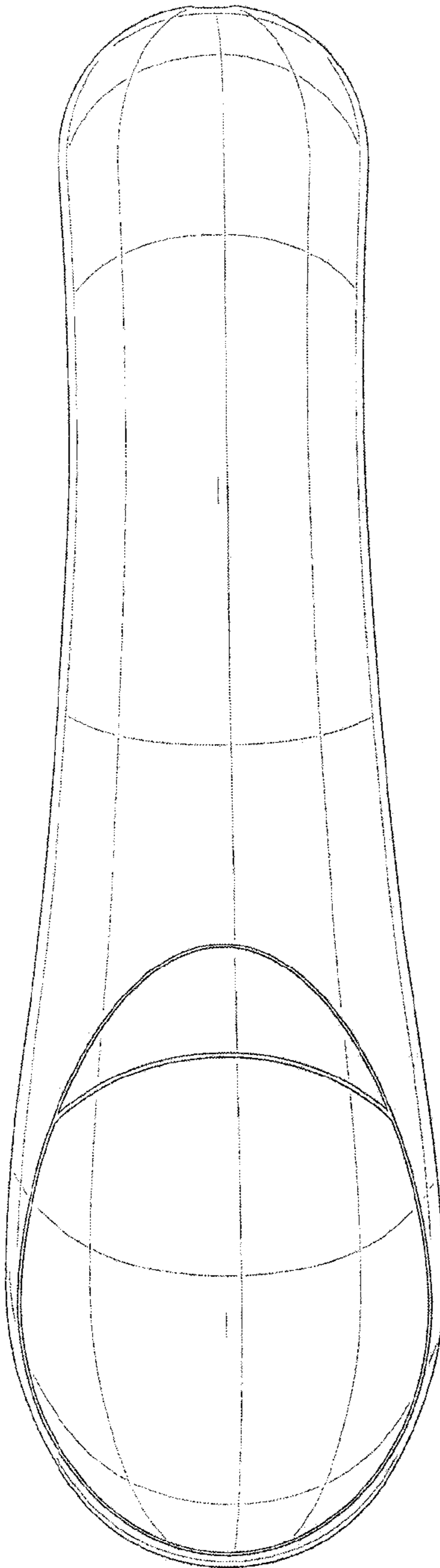


FIG. 6

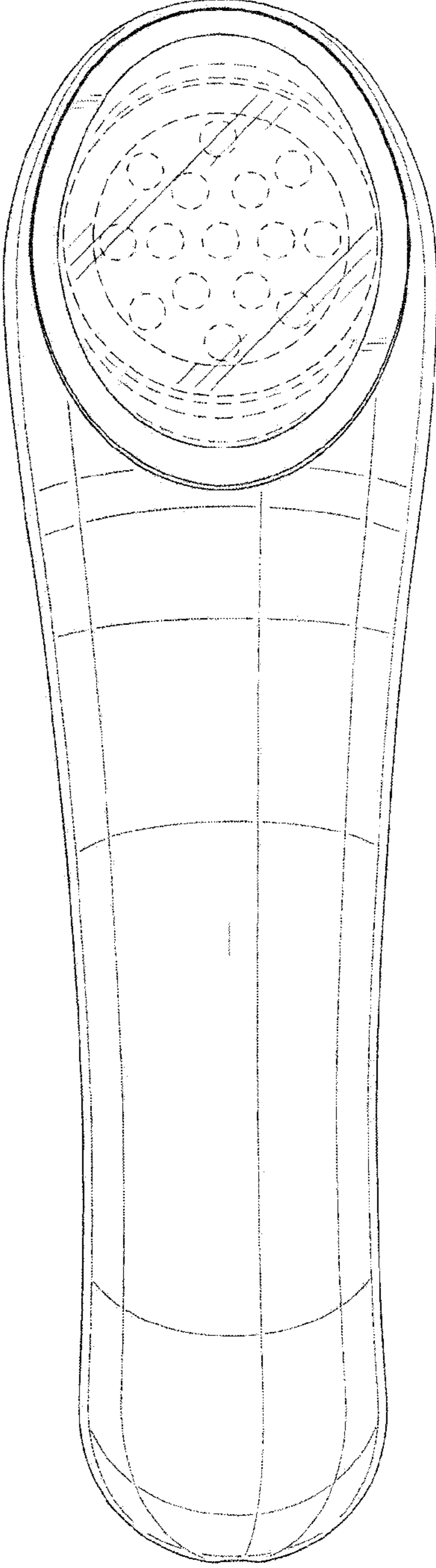


FIG. 7