



US00D612502S

(12) **United States Design Patent**  
**Bailey et al.**

(10) **Patent No.:** **US D612,502 S**

(45) **Date of Patent:** **\*\* \*Mar. 23, 2010**

(54) **HEARING AID FOR A LEFT EAR**  
(75) Inventors: **John Bailey**, Crawley (GB); **Mo Choong Marie Chan**, Singapore (SG); **Ju Lin Teo**, Singapore (SG)

D506,258 S \* 6/2005 Nielsen ..... D24/174  
D532,110 S \* 11/2006 Bailey et al. .... D24/174  
D532,111 S \* 11/2006 Espersen ..... D24/174  
D541,420 S \* 4/2007 Darbut et al. .... D24/174  
D558,880 S \* 1/2008 Le ..... D24/174  
D568,480 S \* 5/2008 Lockenwitz ..... D24/174  
D579,567 S \* 10/2008 Pedersen ..... D24/174

(73) Assignee: **Siemens Medical Instruments Pte. Ltd.**, Singapore (SG)

\* cited by examiner

(\* ) Notice: This patent is subject to a terminal disclaimer.

*Primary Examiner*—T. Chase Nelson  
*Assistant Examiner*—Anhdao Doan

(\*\*) Term: **14 Years**

(57) **CLAIM**

(21) Appl. No.: **29/310,203**

The ornamental design for a hearing aid for a left ear, as shown and described.

(22) Filed: **Jul. 31, 2008**

(51) **LOC (9) Cl.** ..... **24-99**  
(52) **U.S. Cl.** ..... **D24/174**  
(58) **Field of Classification Search** ..... D24/173–175,  
D24/182, 106; D14/205, 223, 224, 249;  
381/23.1, 312, 322, 323, 324, 328, 329, 330,  
381/380, 381; 181/129, 130, 134, 135, 137  
See application file for complete search history.

**DESCRIPTION**

FIG. 1 is a front view of the hearing aid for a left ear.  
FIG. 2 is a rear view of the hearing aid for a left ear.  
FIG. 3 is a left side view of the hearing aid for a left ear;  
FIG. 4 is a right side view of the hearing aid for a left ear;  
FIG. 5 is a top view of the hearing aid for a left ear;  
FIG. 6 is a bottom view of the hearing aid for a left ear; and,  
FIG. 7 is a perspective view of the hearing aid for a left ear.

(56) **References Cited**

**U.S. PATENT DOCUMENTS**

D411,885 S \* 7/1999 Mavrakis et al. .... D24/174

**1 Claim, 7 Drawing Sheets**

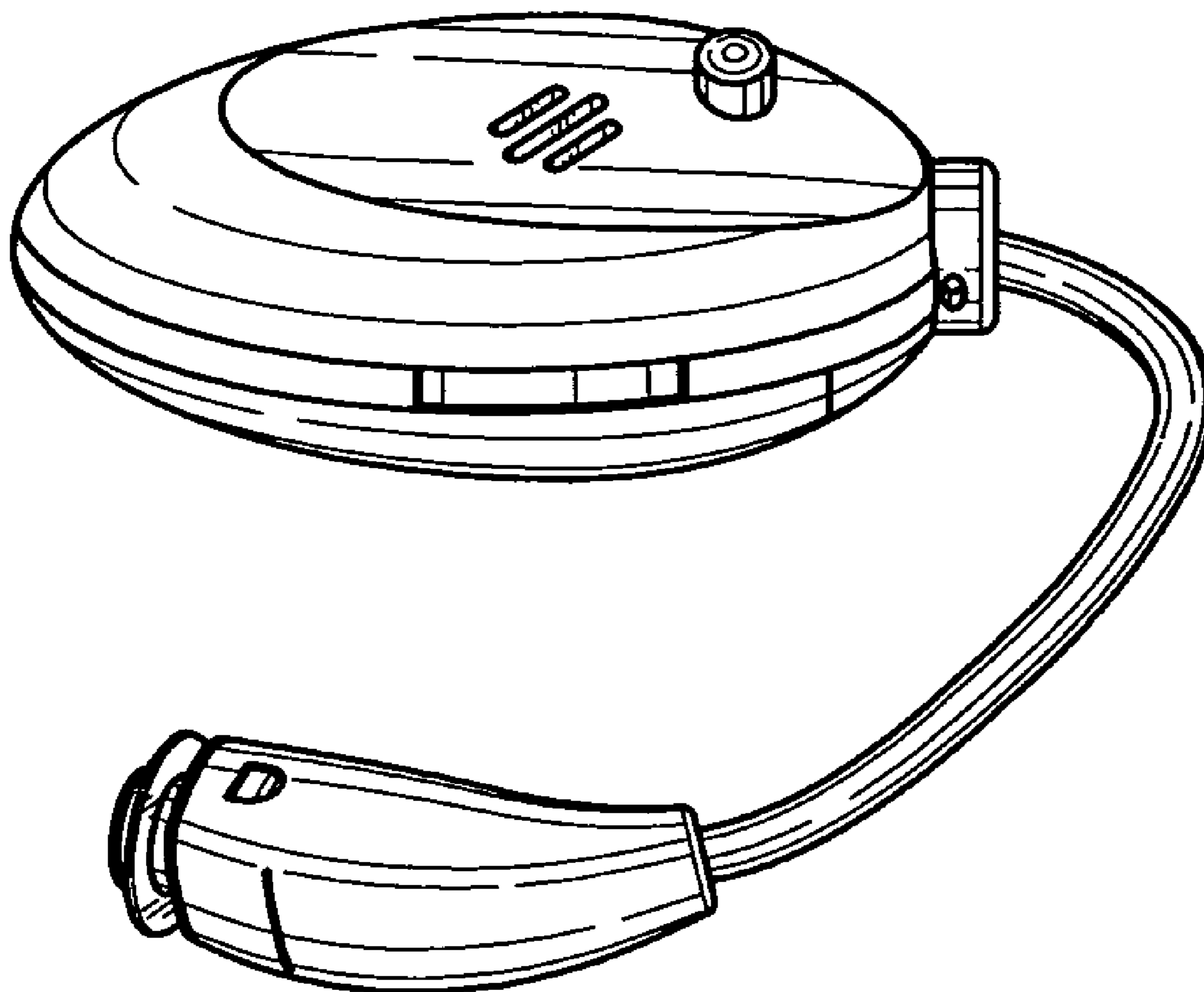


FIG 1



FIG 2

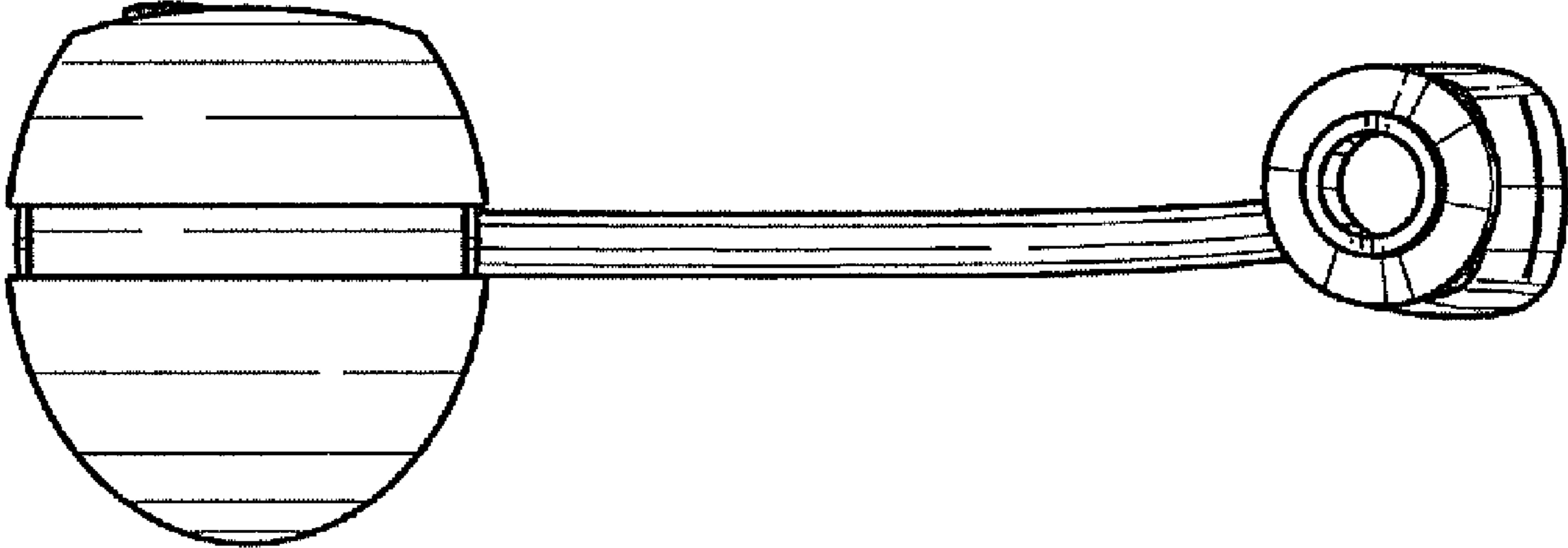


FIG 3

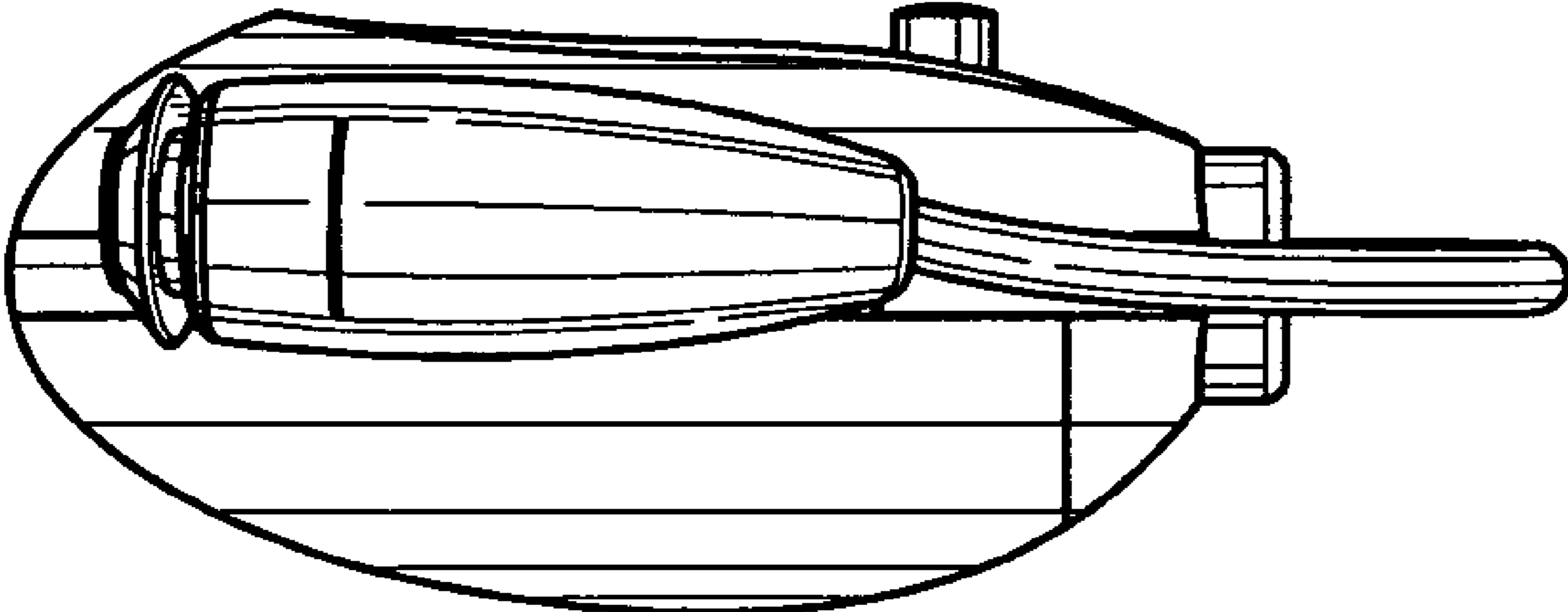


FIG 4

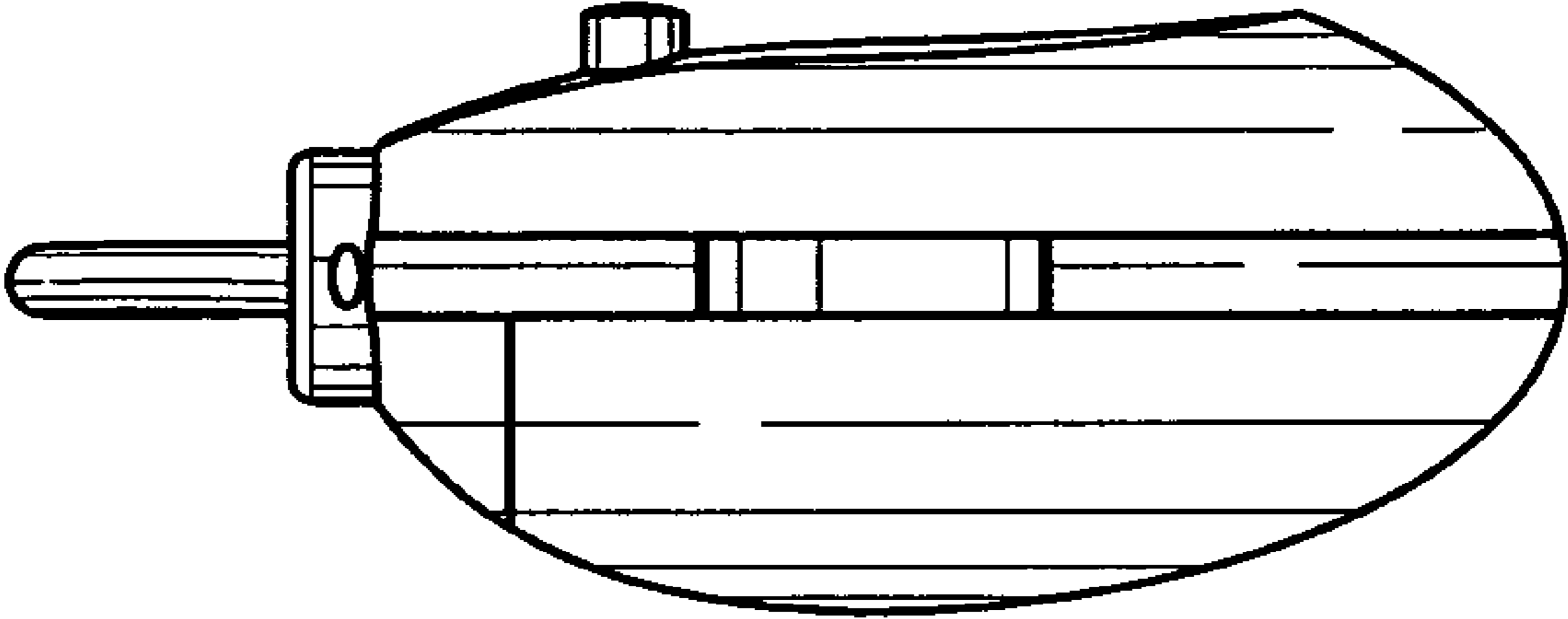


FIG 5

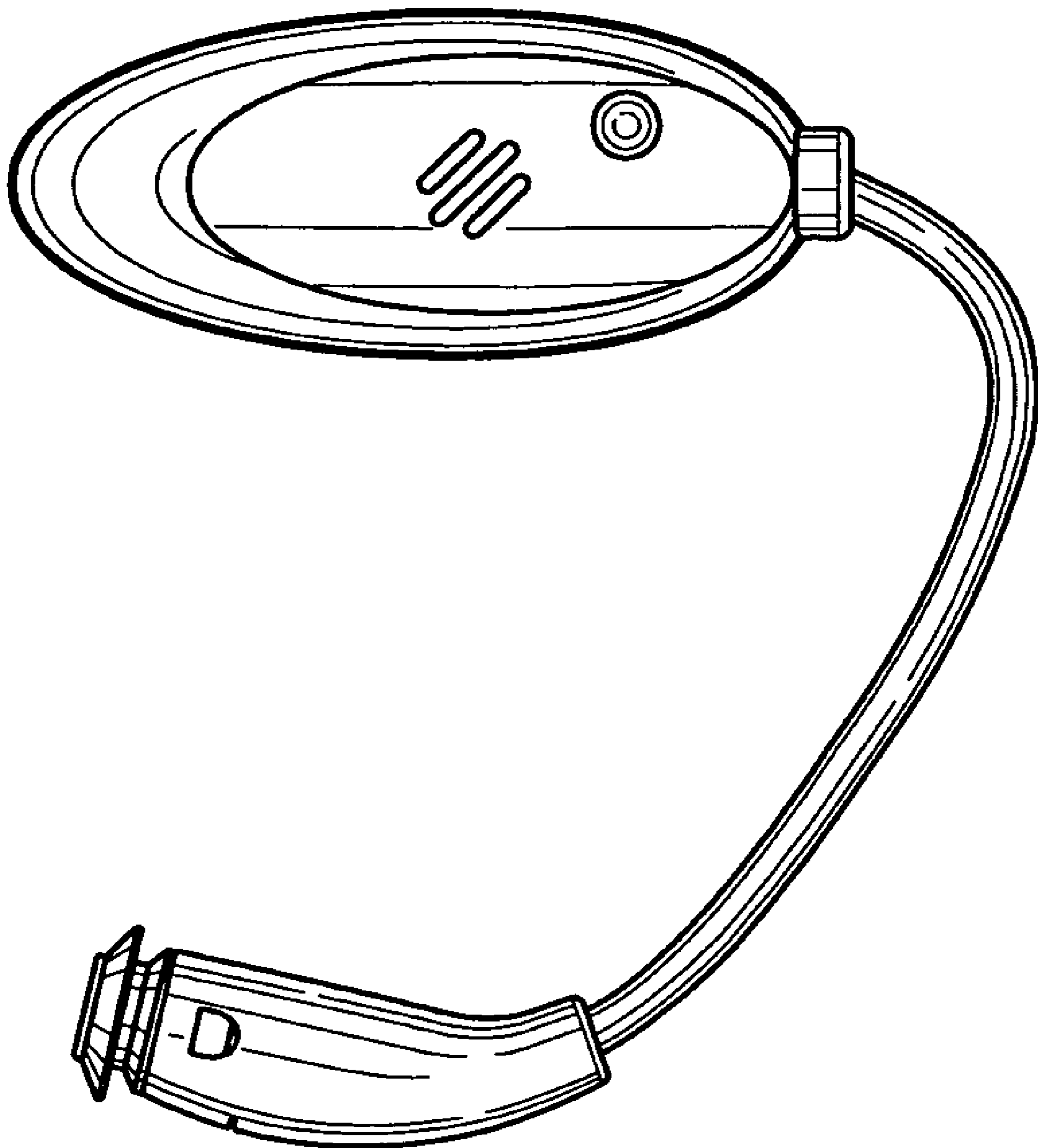


FIG 6

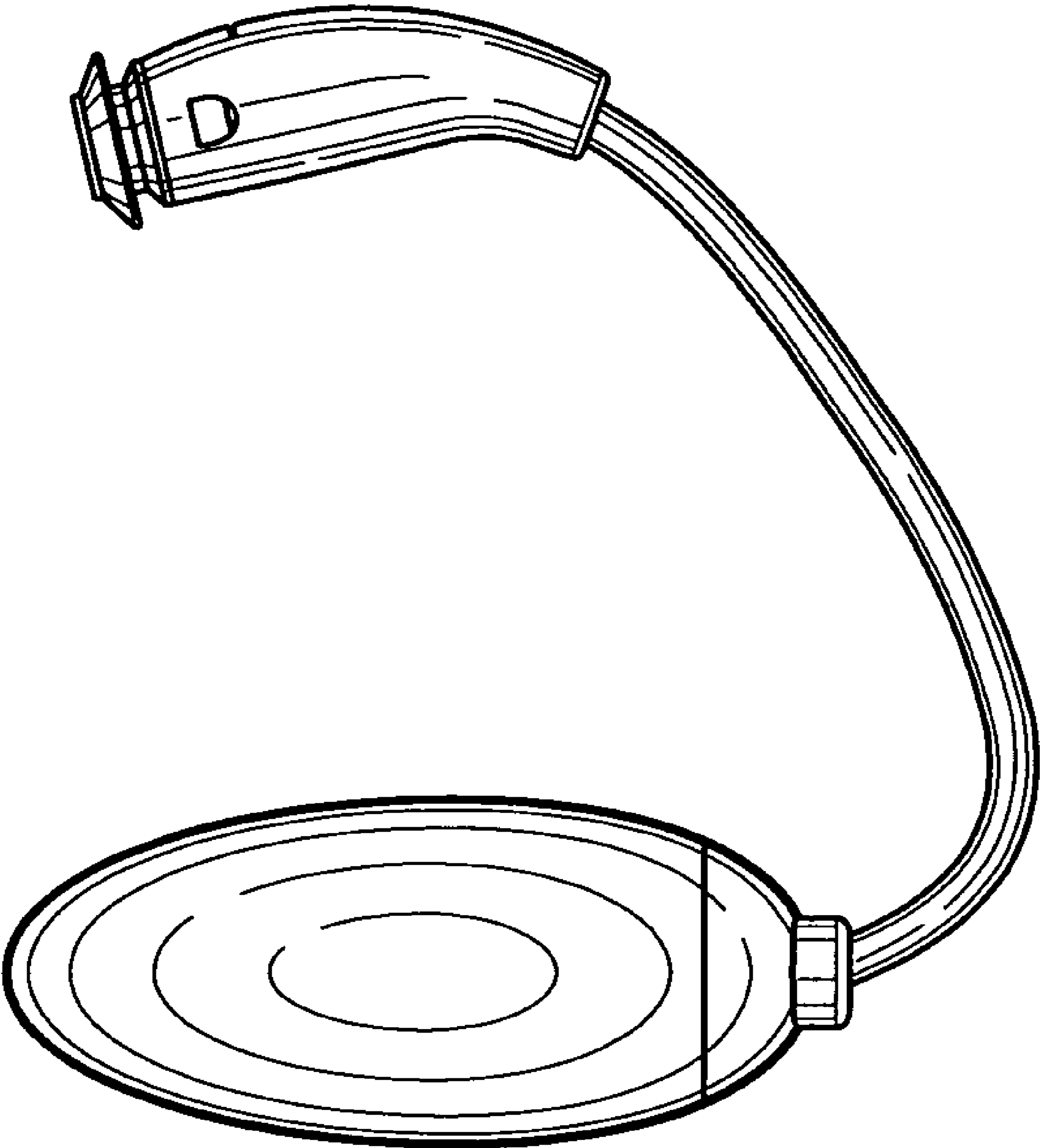


FIG 7

