



US00D612501S

(12) **United States Design Patent**
Richenberger

(10) **Patent No.:** **US D612,501 S**

(45) **Date of Patent:** **** Mar. 23, 2010**

(54) **ROBOTIC POSITIONING DEVICE FOR A
MEDICAL IMAGING UNIT**

7,052,421 B2 * 5/2006 Simmons 474/101
D545,334 S * 6/2007 Kraft D15/199

(75) Inventor: **Michael Richenberger**, Erlangen (DE)

* cited by examiner

(73) Assignee: **Siemens Aktiengesellschaft** (DE)

Primary Examiner—T. Chase Nelson

Assistant Examiner—Anhdao Doan

(**) Term: **14 Years**

(74) *Attorney, Agent, or Firm*—Brinks Hofer Gilson & Lione

(21) Appl. No.: **29/291,360**

(57) **CLAIM**

(22) Filed: **Aug. 24, 2007**

The ornamental design for a robotic positioning device for a medical imaging unit, as shown and described.

(30) **Foreign Application Priority Data**

DESCRIPTION

Mar. 1, 2007 (EM) 000690003

FIG. 1 is a front view of the robotic positioning device for a medical imaging unit;

(51) **LOC (9) Cl.** **24-01**

FIG. 2 is a rear view thereof;

(52) **U.S. Cl.** **D24/158**

FIG. 3 is a top view thereof;

(58) **Field of Classification Search** D24/158–161,
D24/183, 186; 378/4, 15, 17, 19, 20, 21–27,
378/38–40, 102, 146, 195, 197, 198; 600/409,
600/410, 425, 476; D15/199

FIG. 4 is a bottom view thereof;

FIG. 5 is a right side view thereof;

See application file for complete search history.

FIG. 6 is a left side view thereof; and,

FIG. 7 is a perspective view thereof.

(56) **References Cited**

The broken lines in the drawings are for illustrating portions of the robotic positioning device that form no part of the claimed design.

U.S. PATENT DOCUMENTS

D397,440 S * 8/1998 Baars D24/158
D444,488 S * 7/2001 Selic et al. D15/199
D469,182 S * 1/2003 Choi et al. D24/158

1 Claim, 7 Drawing Sheets

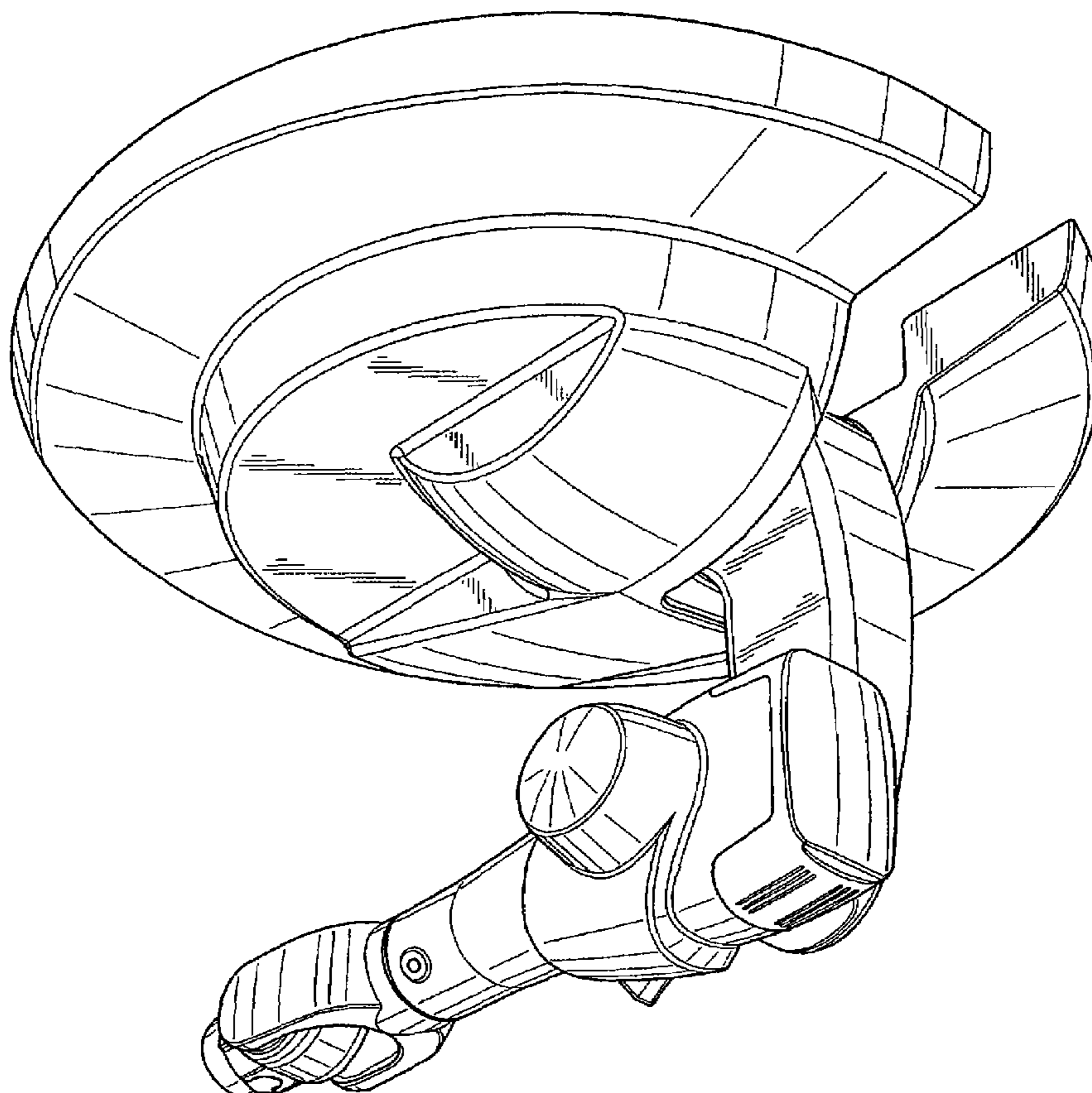


FIG. 1

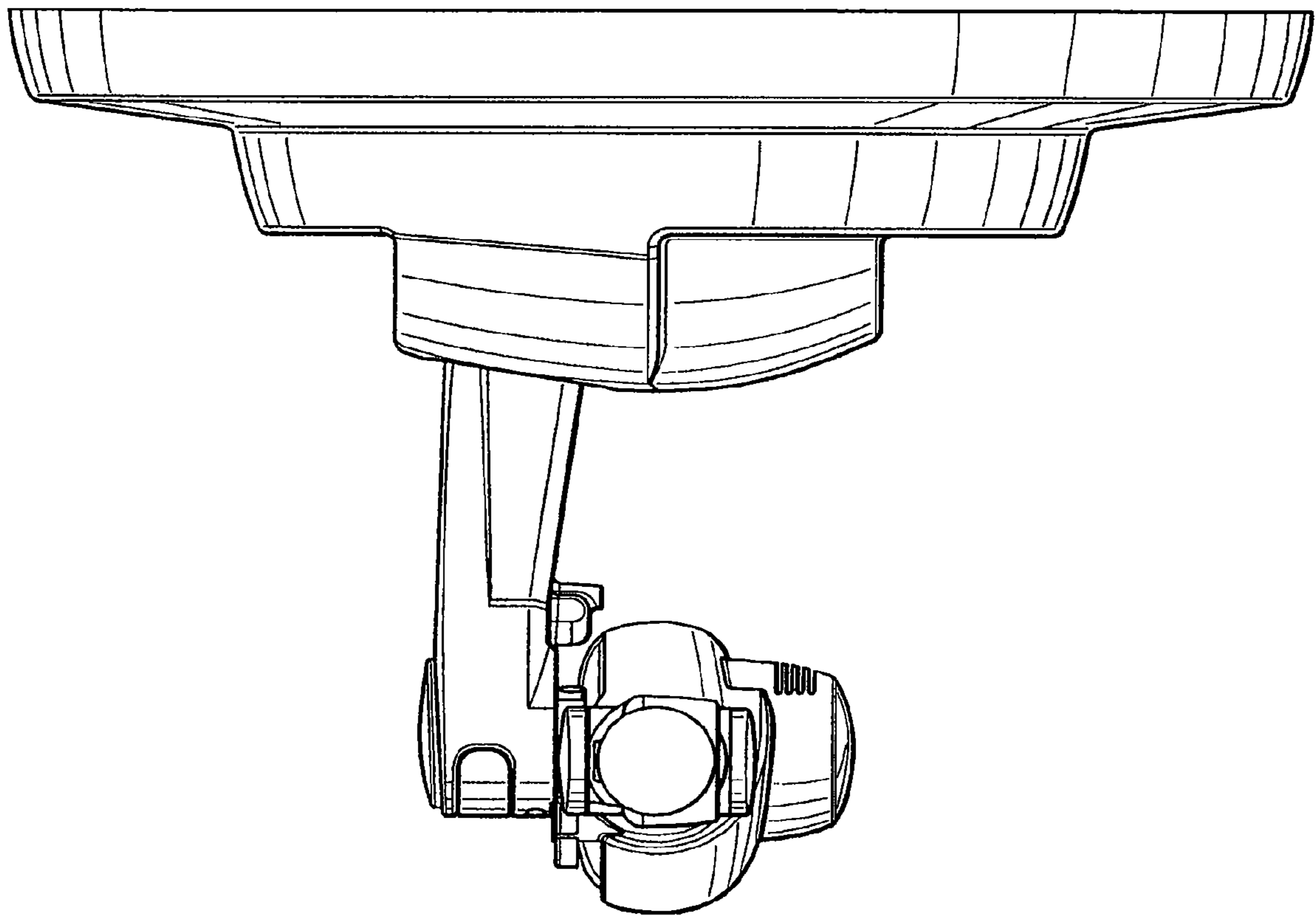


FIG. 2

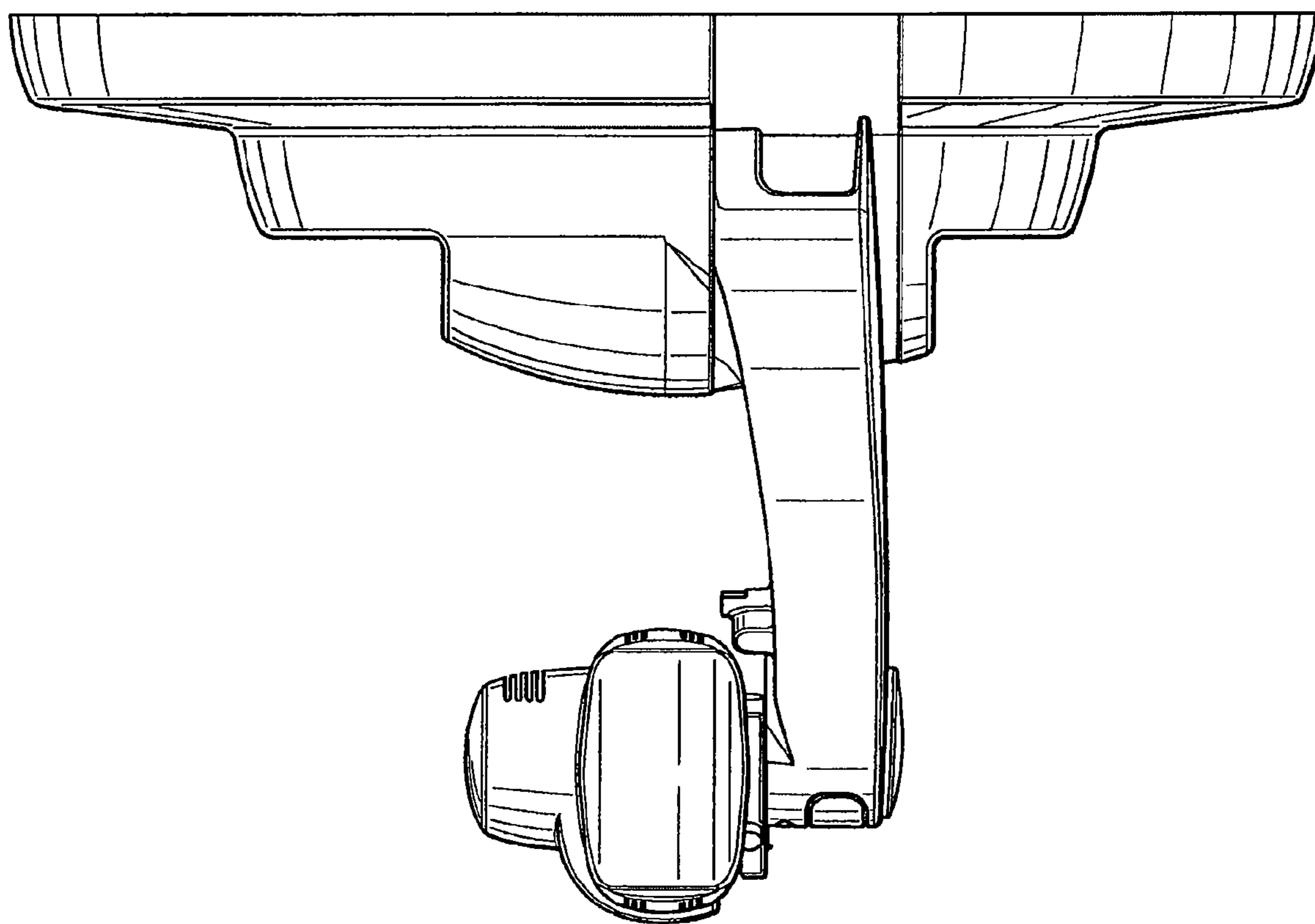


FIG. 3

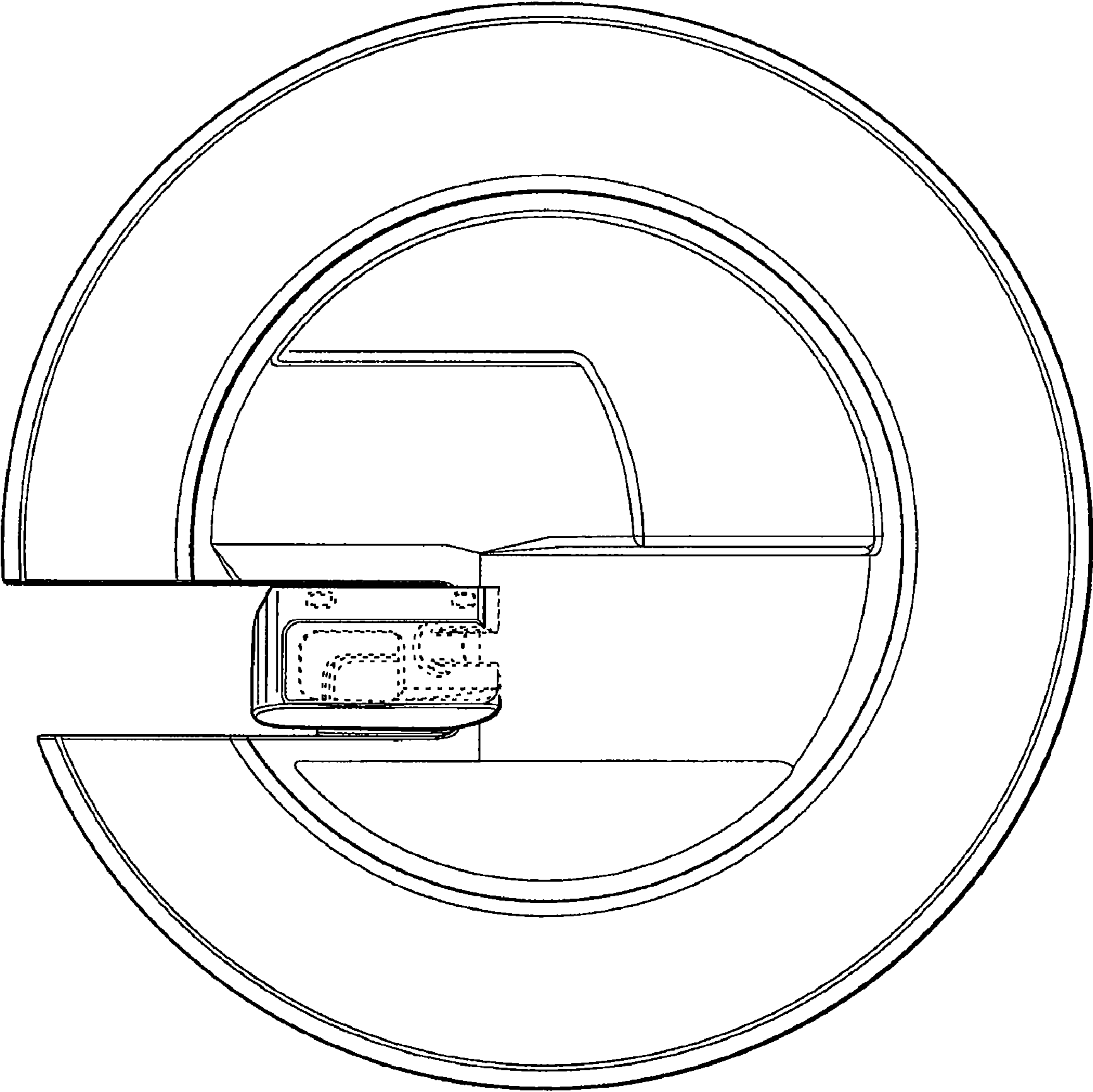


FIG. 4

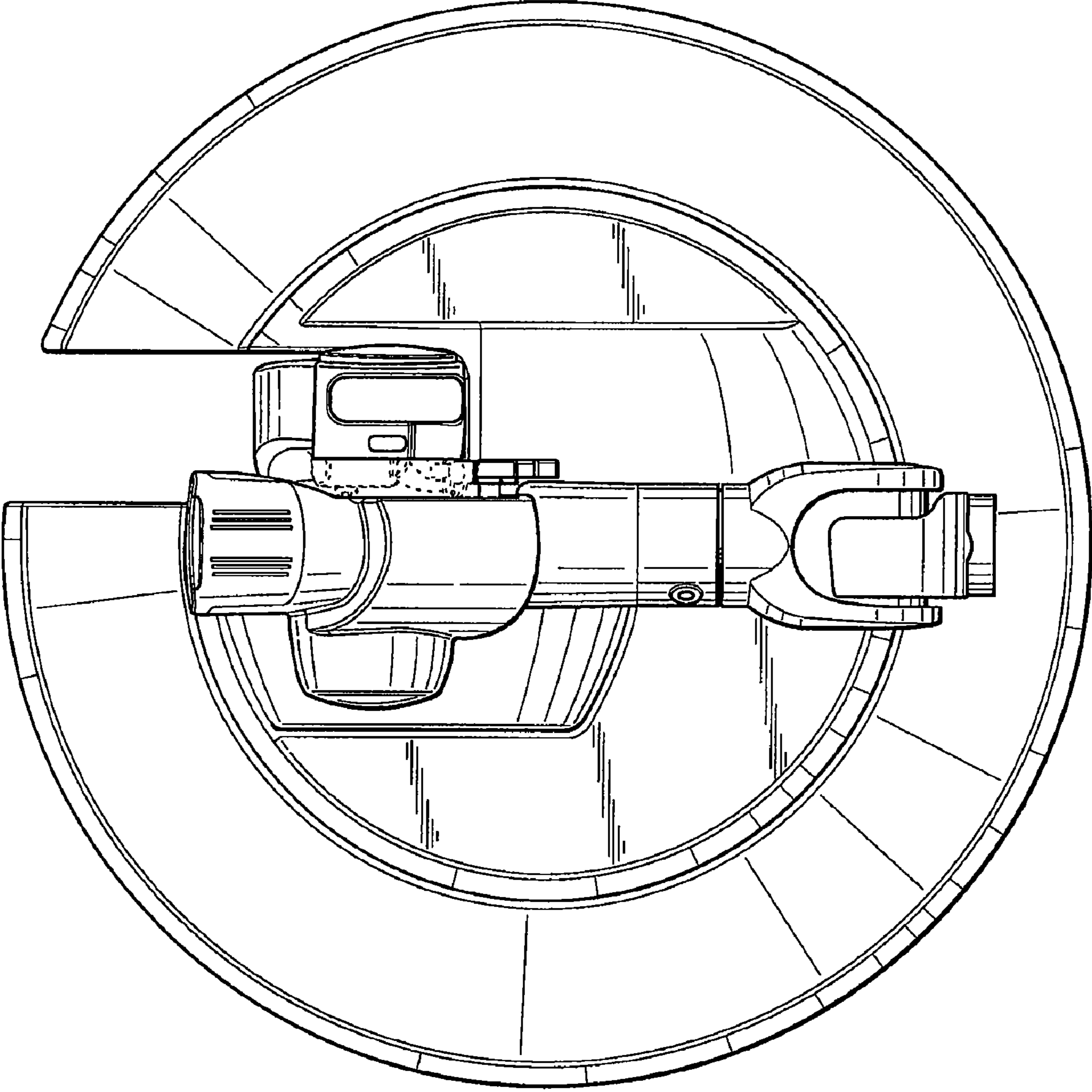


FIG. 5

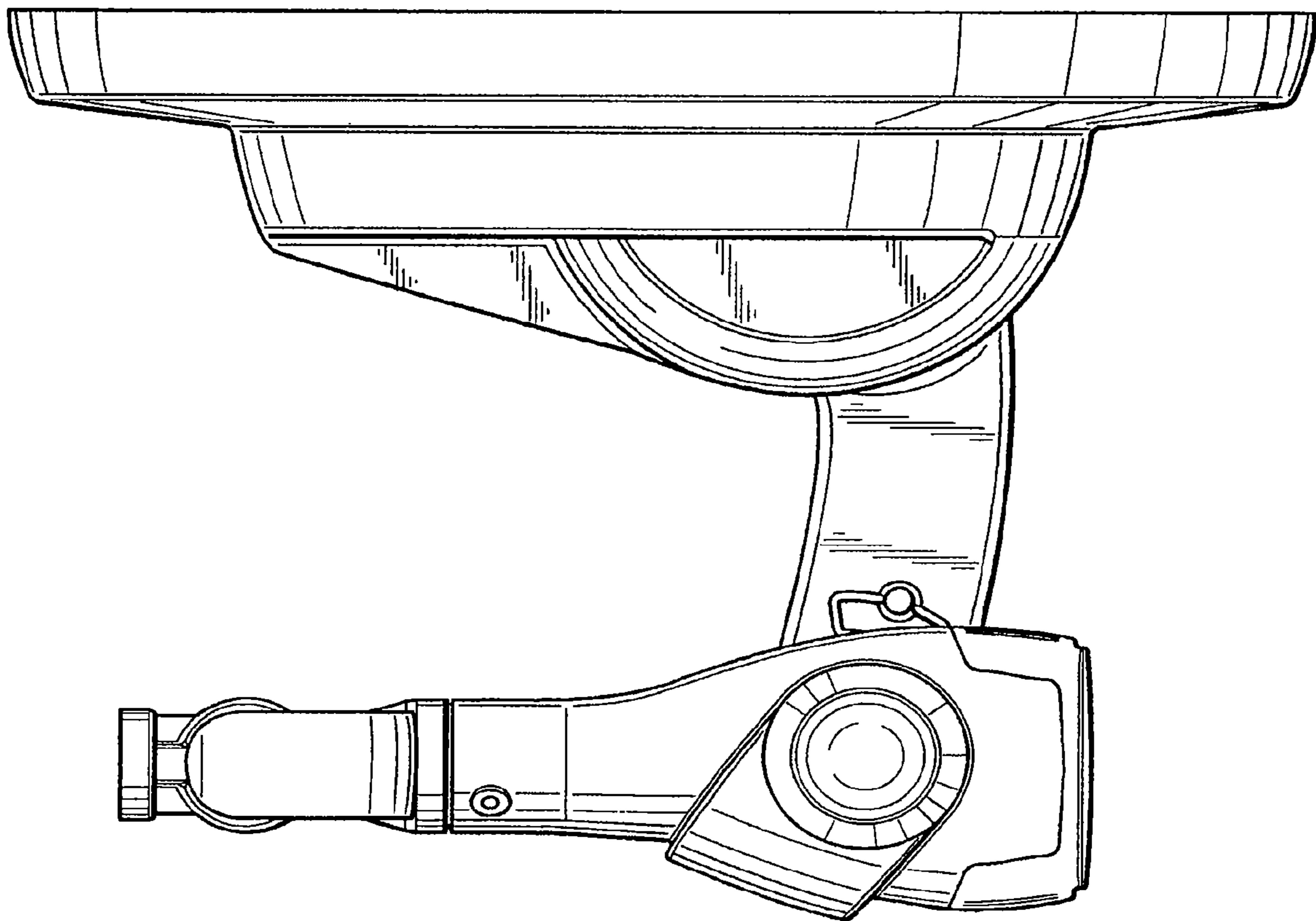


FIG. 6

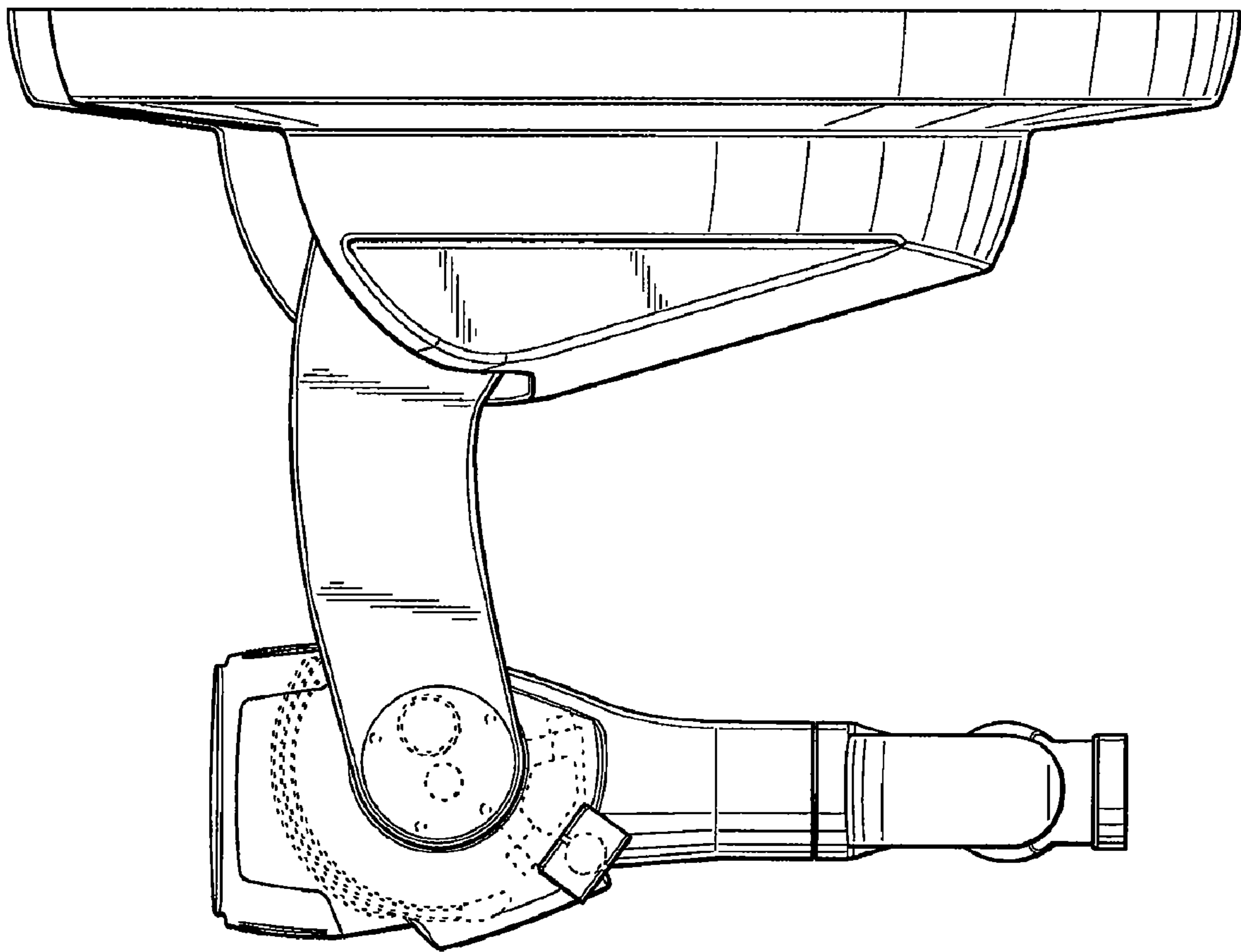


FIG. 7

