



US00D612497S

(12) **United States Design Patent**
Berci

(10) **Patent No.:** **US D612,497 S**
(45) **Date of Patent:** **** Mar. 23, 2010**

(54) **EXOSCOPE**

(75) Inventor: **George Berci**, Los Angeles, CA (US)

(73) Assignee: **Karl Storz GmbH & Co. KG** (DE)

(**) Term: **14 Years**

(21) Appl. No.: **29/332,922**

(22) Filed: **Feb. 27, 2009**

(30) **Foreign Application Priority Data**

Aug. 29, 2008 (EM) 000994058-0003

(51) **LOC (9) Cl.** **24-02**

(52) **U.S. Cl.** **D24/138; D16/130**

(58) **Field of Classification Search** D24/133,
D24/135, 176, 152, 156, 140, 141, 143, 137,
D24/138; 600/206, 214, 164, 157, 156, 200,
600/113, 135, 138, 121, 131, 153; 606/191,
606/196, 197, 198; D16/242, 245, 396, 419,
D16/130; 248/176.1, 187.1, 176.3

See application file for complete search history.

(56) **References Cited**

U.S. PATENT DOCUMENTS

D225,573 S * 12/1972 Jones D16/245
4,289,393 A * 9/1981 Kawazoe 396/428

D307,286 S * 4/1990 Ginder D16/242
7,128,354 B2 * 10/2006 Wu 294/139
D598,099 S * 8/2009 Halbig D24/138
2003/0163040 A1 * 8/2003 Gildeberg 600/429
2008/0097477 A1 * 4/2008 Wascher 606/130
2008/0243142 A1 * 10/2008 Gildeberg 606/130

* cited by examiner

Primary Examiner—Charles A Rademaker

Assistant Examiner—Charles D Hanson

(74) *Attorney, Agent, or Firm*—St. Onge Steward Johnston & Reens LLC

(57) **CLAIM**

The ornamental design for an exoscope, as shown and described.

DESCRIPTION

FIG. 1 is a top perspective view of an exoscope in accordance with the new design;

FIG. 2 is a side view thereof;

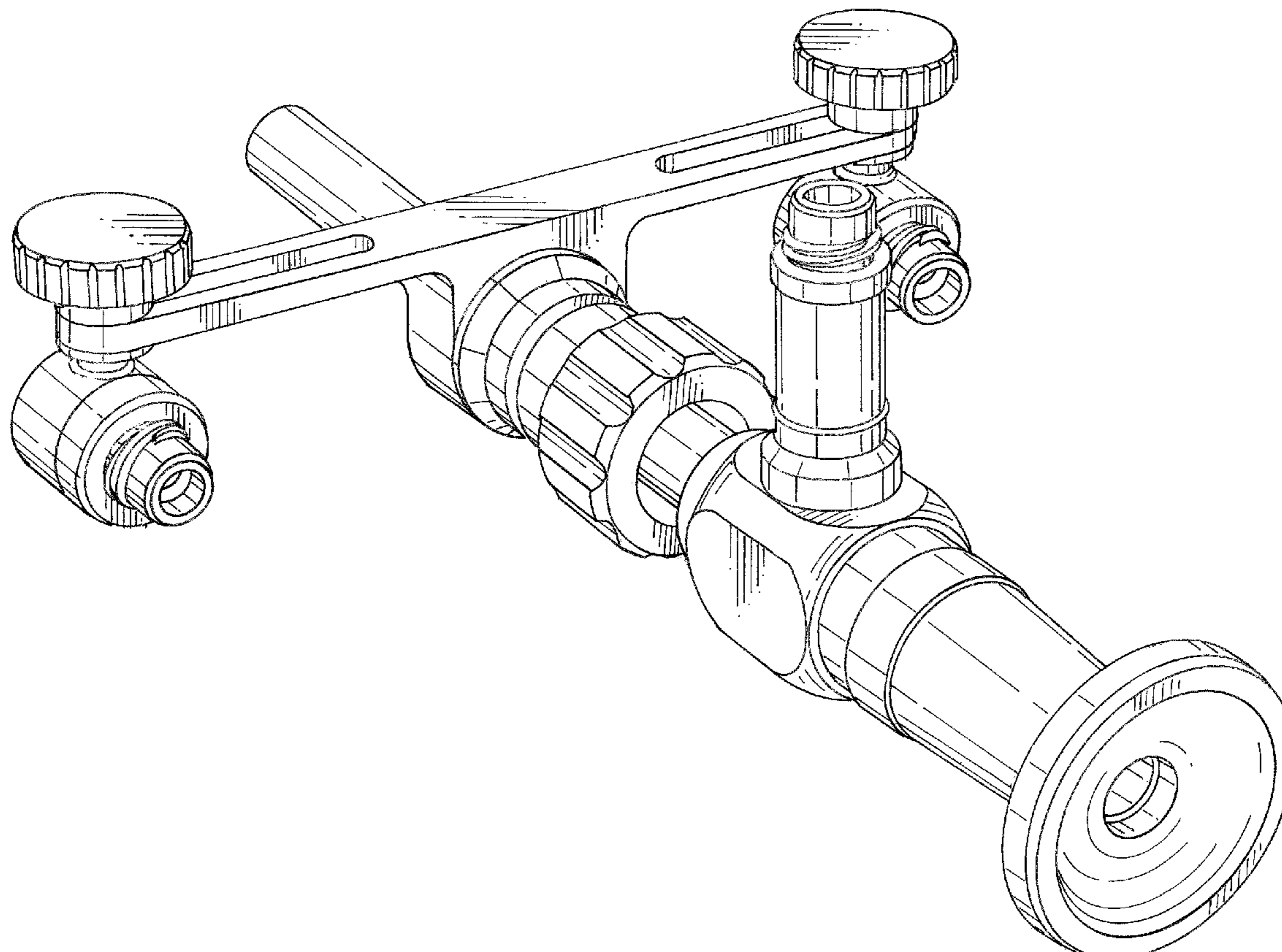
FIG. 3 is a top view thereof;

FIG. 4 is a bottom view thereof;

FIG. 5 is a front view thereof; and,

FIG. 6 is a rear view thereof.

1 Claim, 5 Drawing Sheets



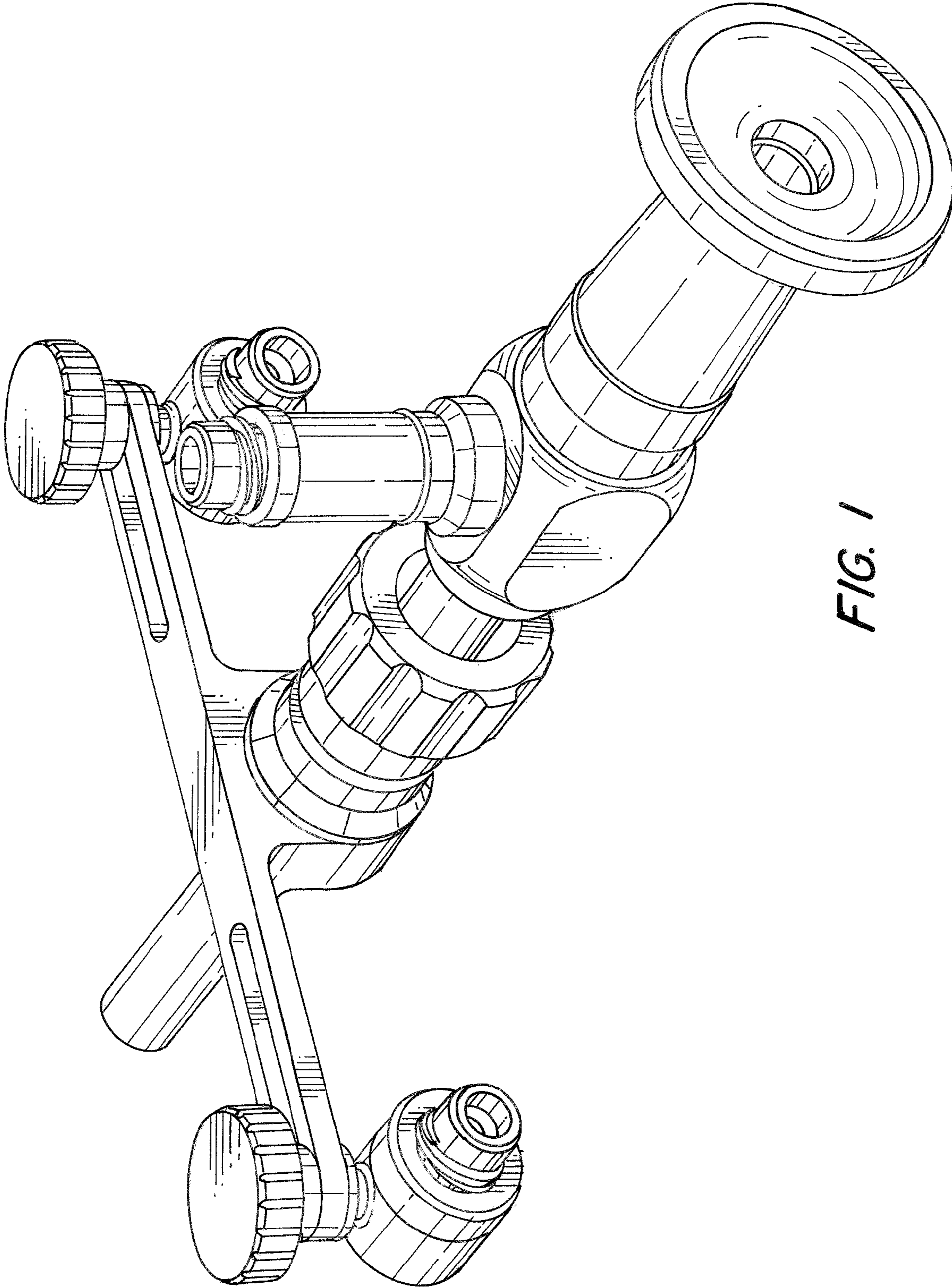


FIG. 1

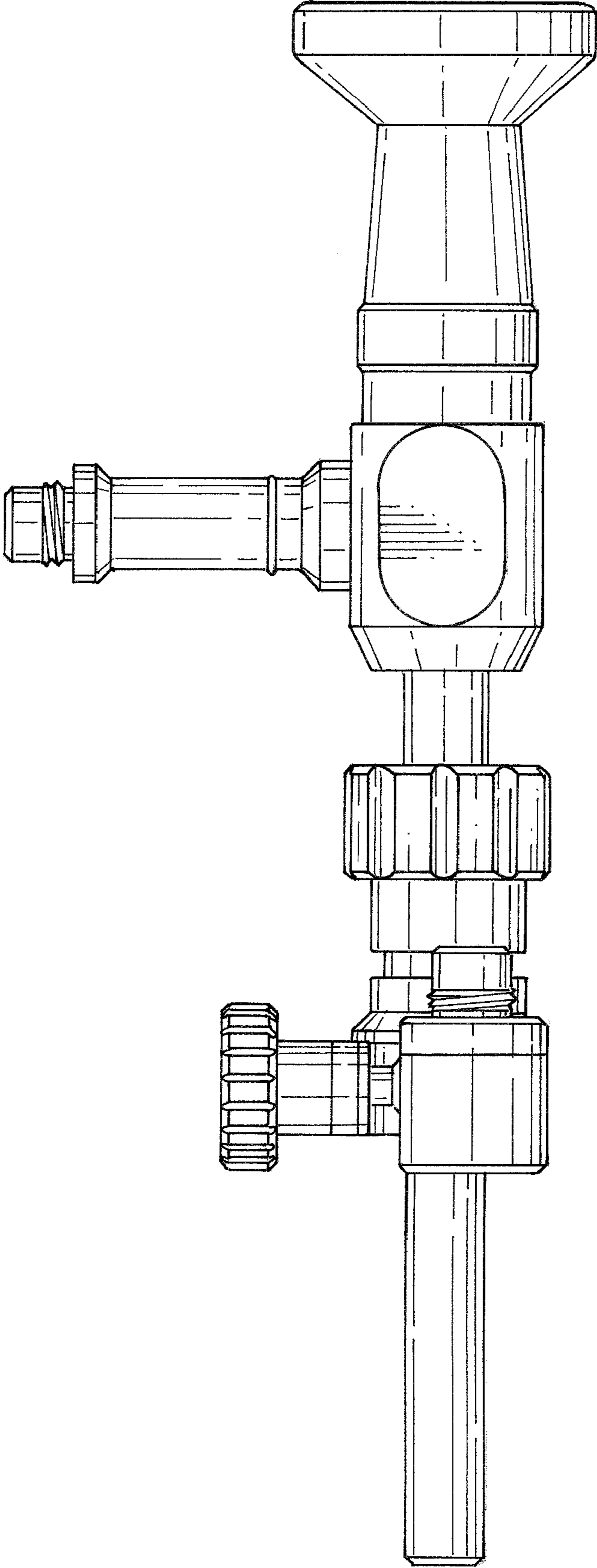


FIG. 2

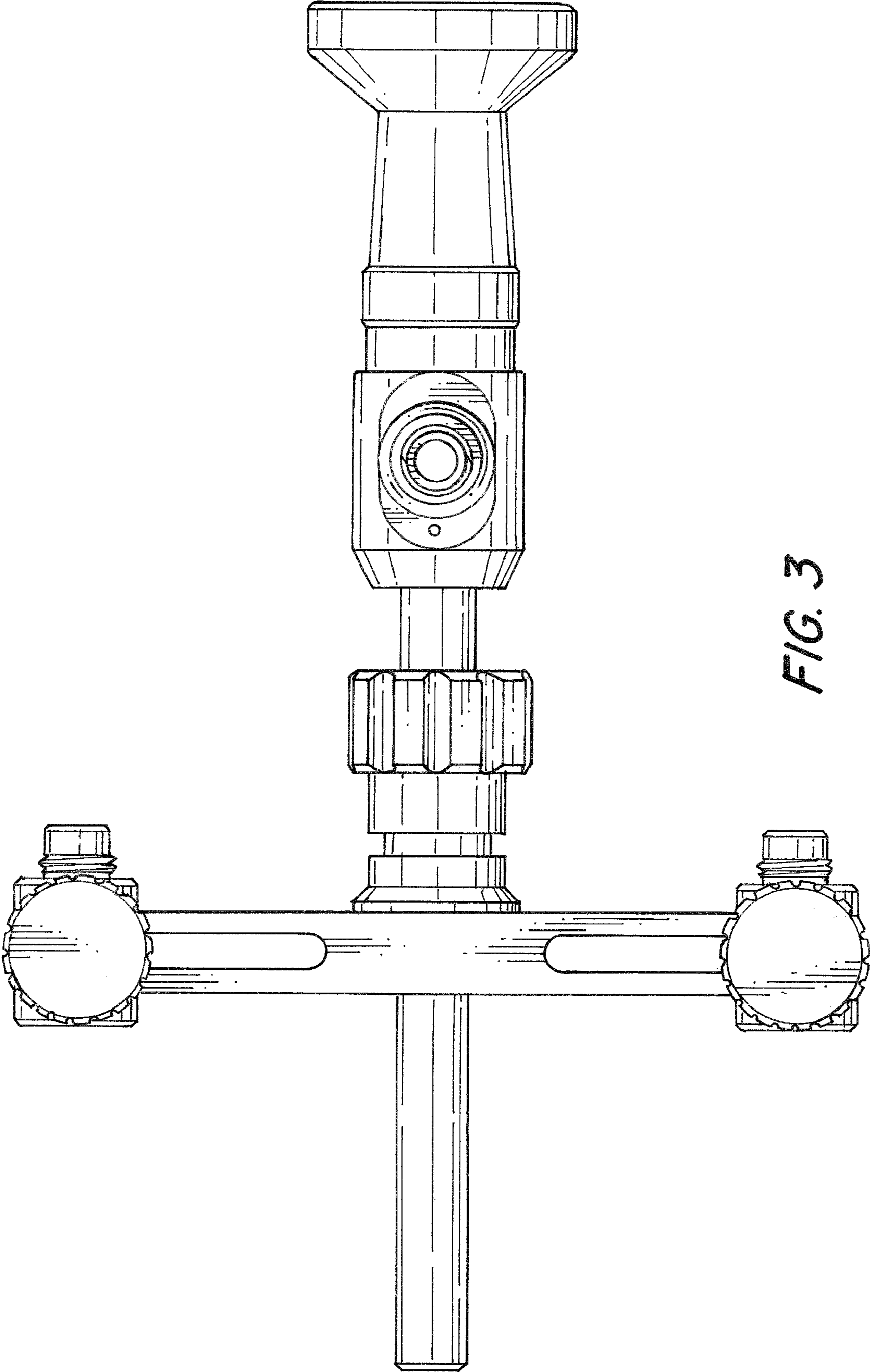


FIG. 3

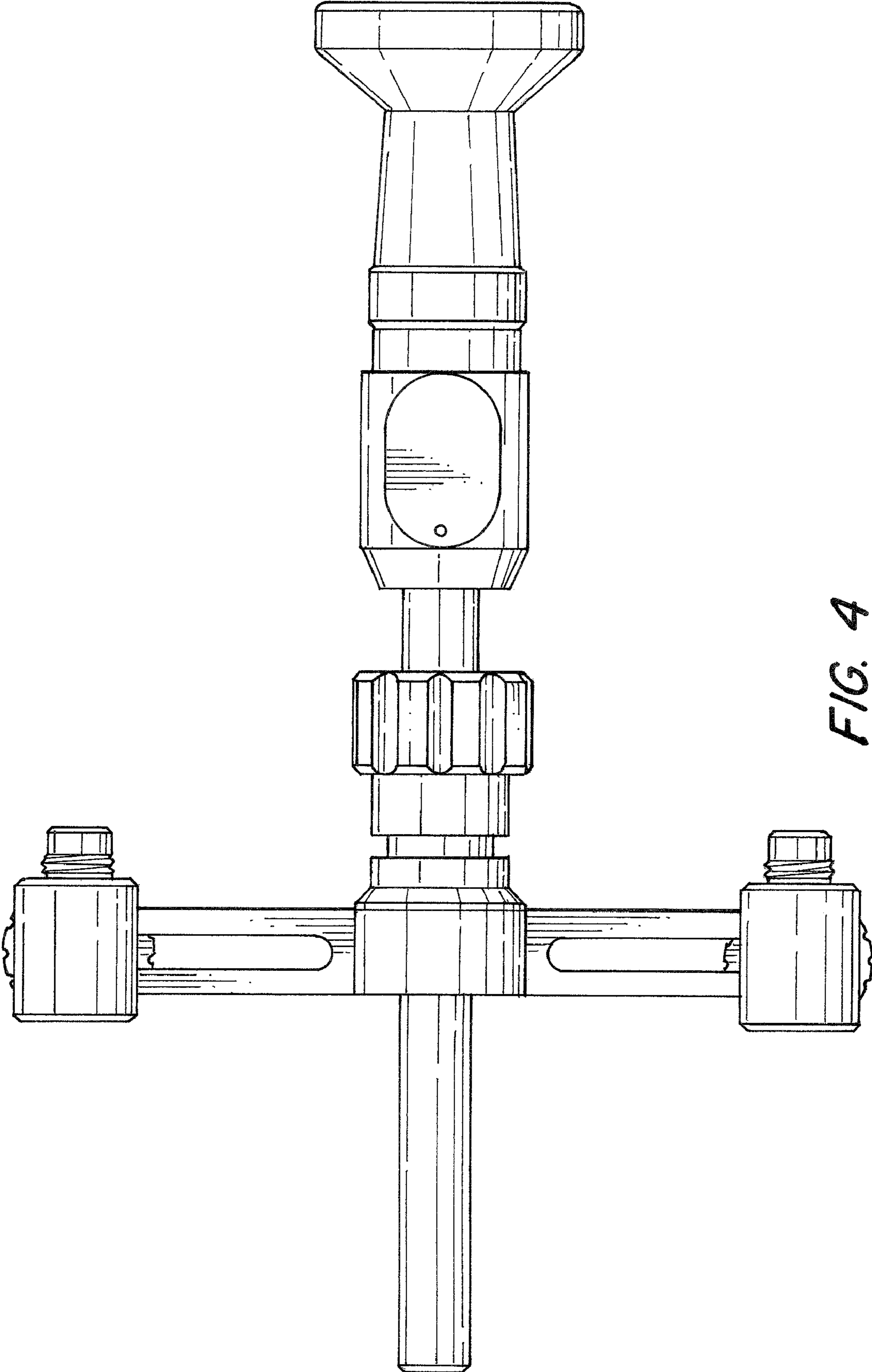


FIG. 4

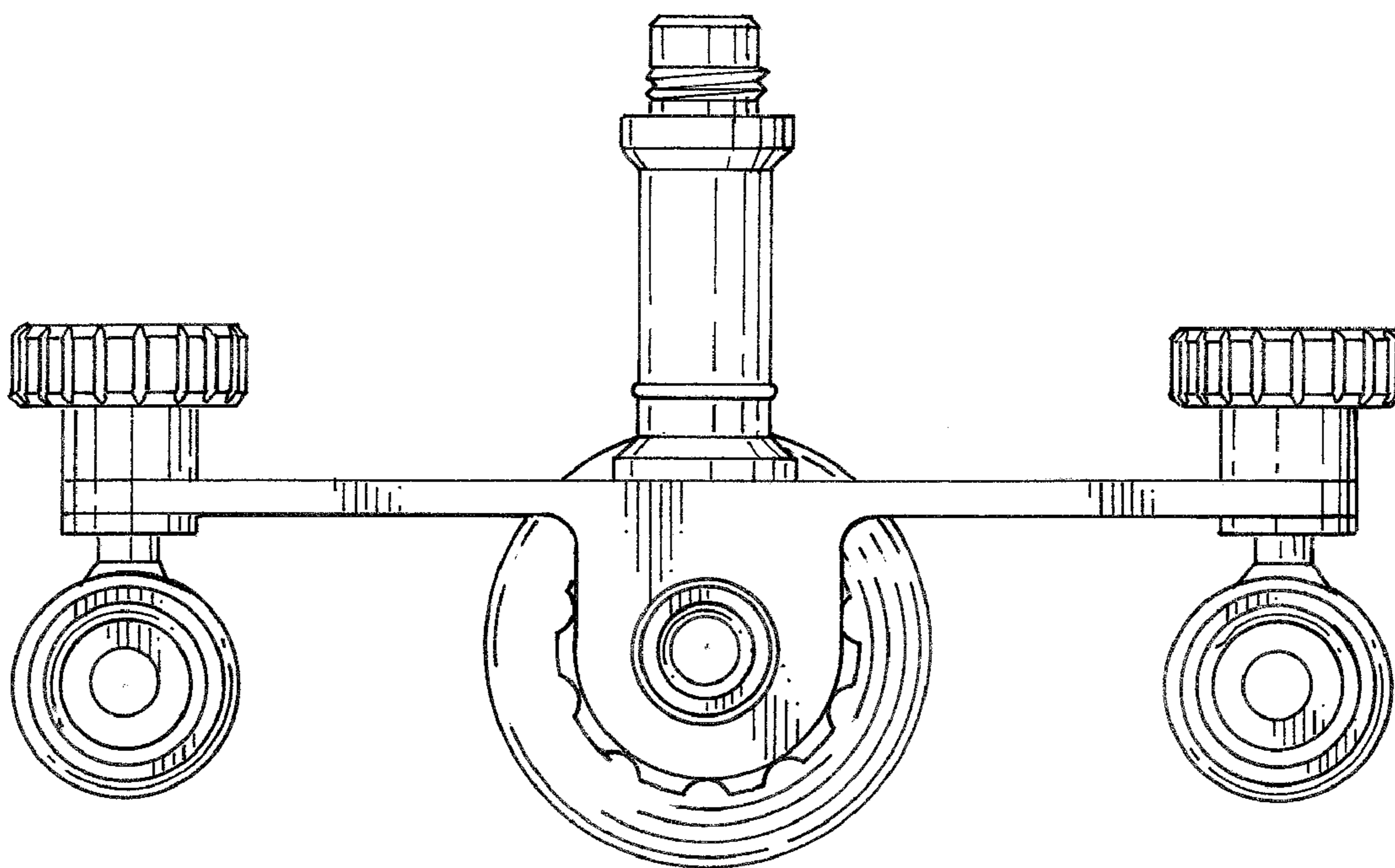


FIG. 5

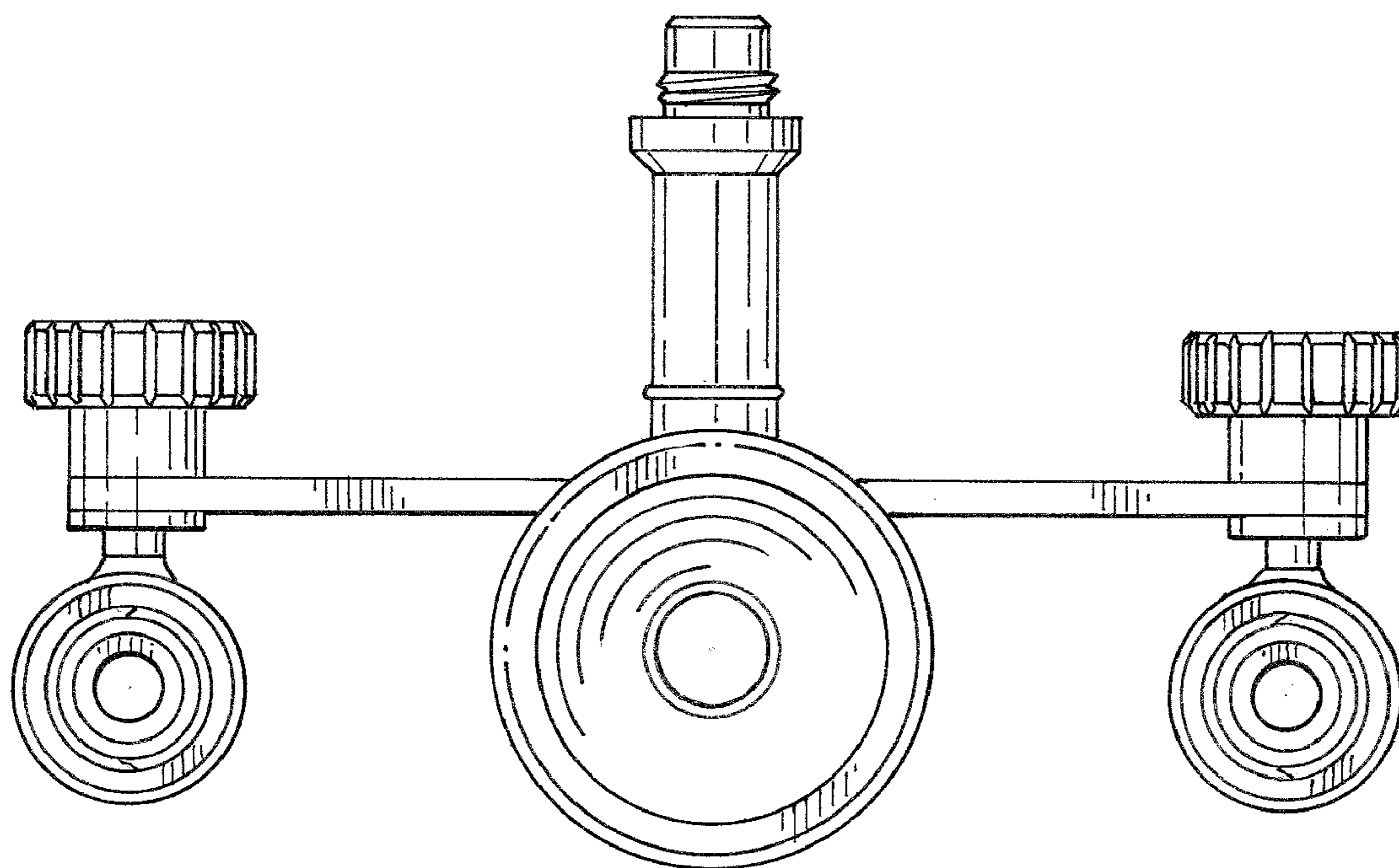


FIG. 6