



US00D612488S

(12) **United States Design Patent**
Reay

(10) **Patent No.:** **US D612,488 S**
(45) **Date of Patent:** **** Mar. 23, 2010**

(54) **SPOON**

(76) Inventor: **Gavin Reay**, 104 Felsham Road, London
(GB) SW15 1DQ

(**) Term: **14 Years**

(21) Appl. No.: **29/304,279**

(22) Filed: **Feb. 28, 2008**

(51) **LOC (9) Cl.** **24-02**

(52) **U.S. Cl.** **D24/116**

(58) **Field of Classification Search** D24/116,
D24/117, 121, 112, 111, 193, 133; D7/589,
D7/653, 691; 30/324-328; 222/205; D10/46.2,
D10/46.3; 606/161
See application file for complete search history.

(56) **References Cited**

U.S. PATENT DOCUMENTS

1,619,878	A *	3/1927	Morgan et al.	30/327
D256,311	S *	8/1980	Daenen	D10/46.3
4,724,615	A *	2/1988	Mackles et al.	30/326
D375,353	S *	11/1996	Wolff	D24/116
D403,255	S *	12/1998	Molenaar	D10/46.3
6,352,545	B1 *	3/2002	Wagner	606/161
D483,478	S *	12/2003	Carraher	D24/116

D484,425	S *	12/2003	Settele	D10/46.3
D494,877	S *	8/2004	Kempe et al.	D10/46.3
D500,850	S *	1/2005	Clark et al.	D24/116
D501,046	S *	1/2005	Ray et al.	D24/116
D552,431	S *	10/2007	Chou	D7/653
D572,089	S *	7/2008	Teys et al.	D7/653

* cited by examiner

Primary Examiner—T. Chase Nelson

Assistant Examiner—David G Muller

(74) *Attorney, Agent, or Firm*—Eugene M. Cummings, P.C.

(57) **CLAIM**

The ornamental design for a spoon, as shown and described.

DESCRIPTION

FIG. 1 is a perspective view of a spoon showing the new design.

FIG. 2 is a top view of the spoon of FIG. 1.

FIG. 3 is a side view of the spoon of FIG. 1.

FIG. 4 is another side view of the spoon of FIG. 1; and,

FIG. 5 is a bottom view of the spoon of FIG. 1.

The broken lines depict environmental subject matter only, and form no part of the claimed design.

1 Claim, 4 Drawing Sheets

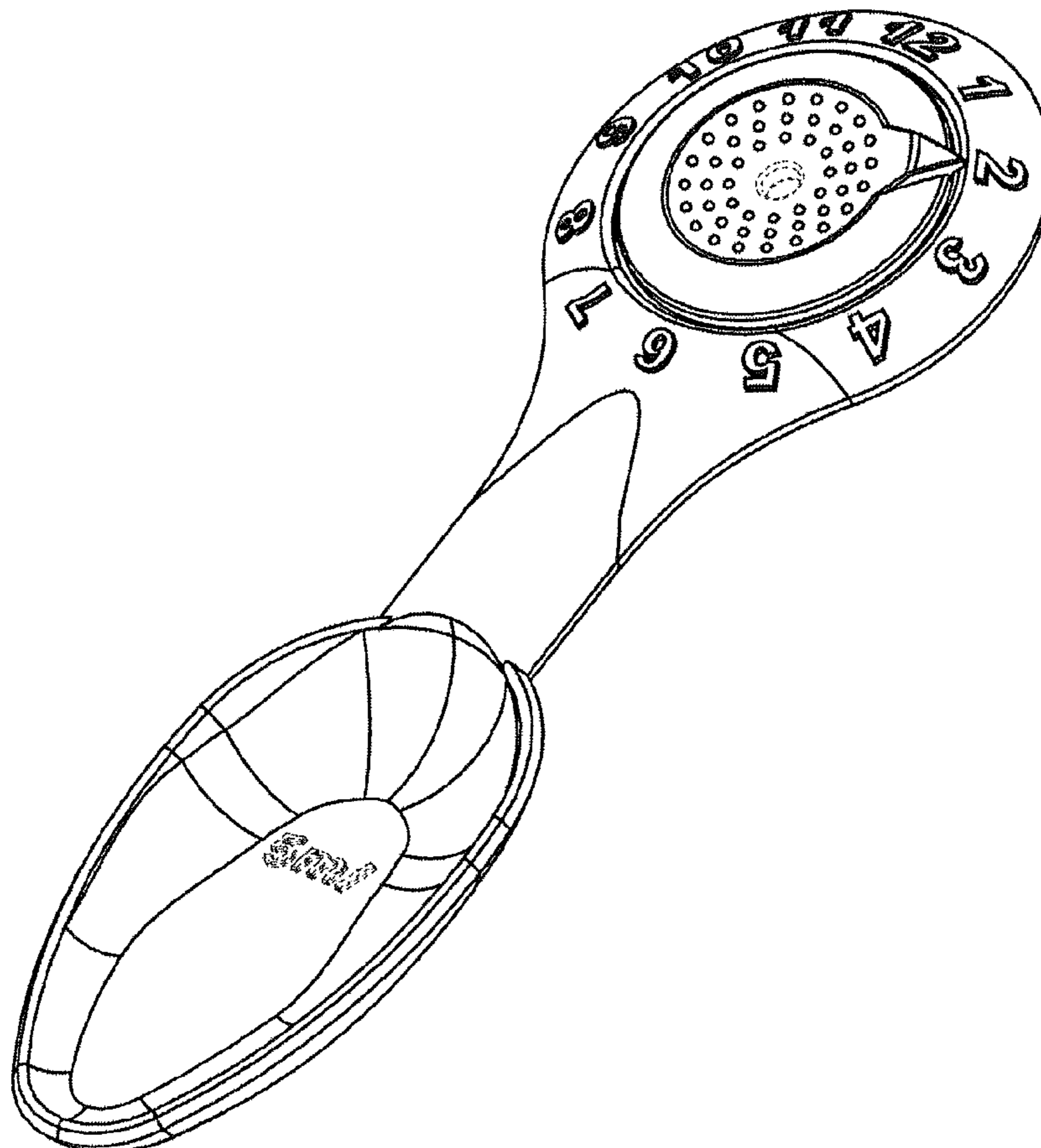
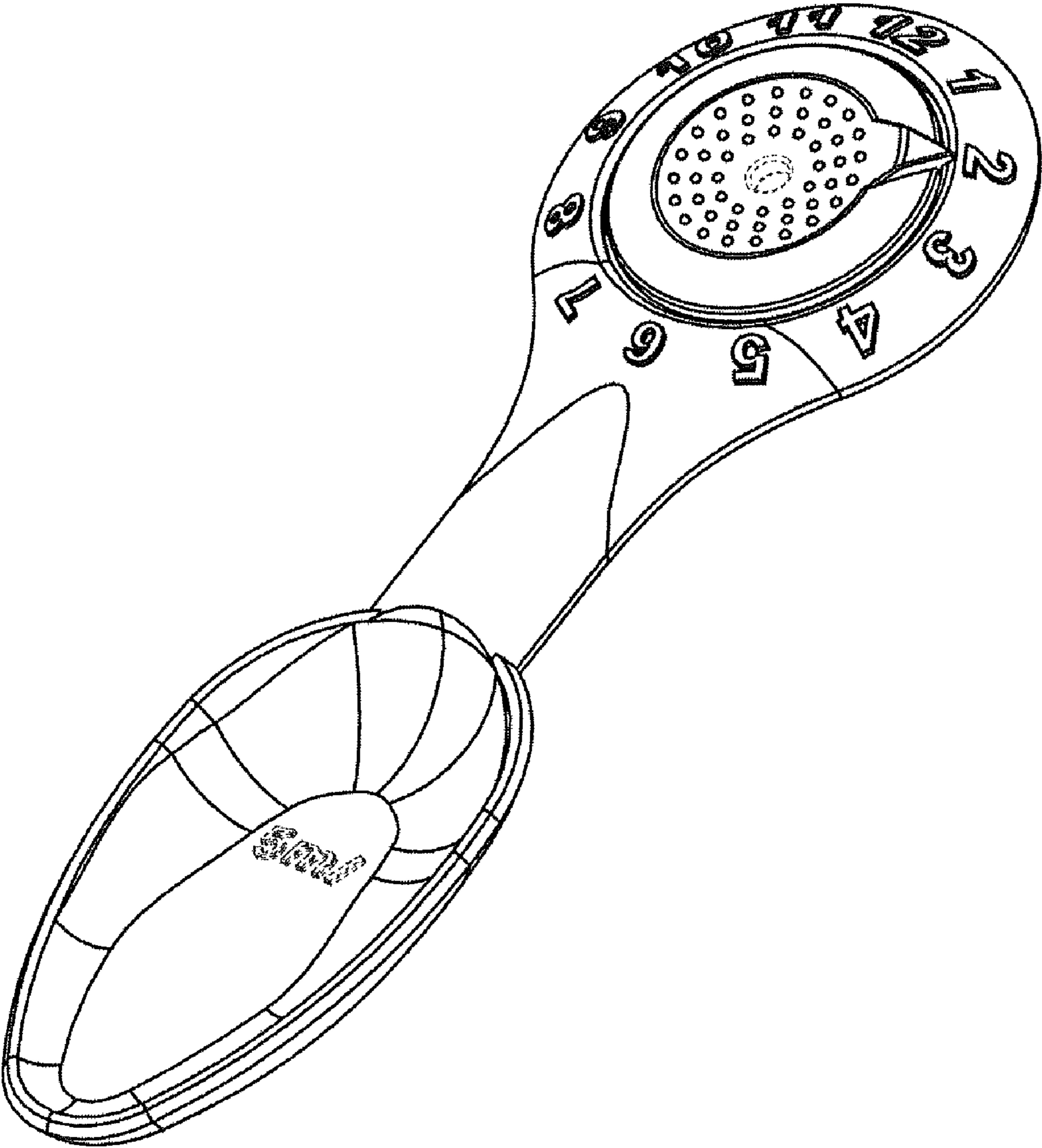


Figure 1



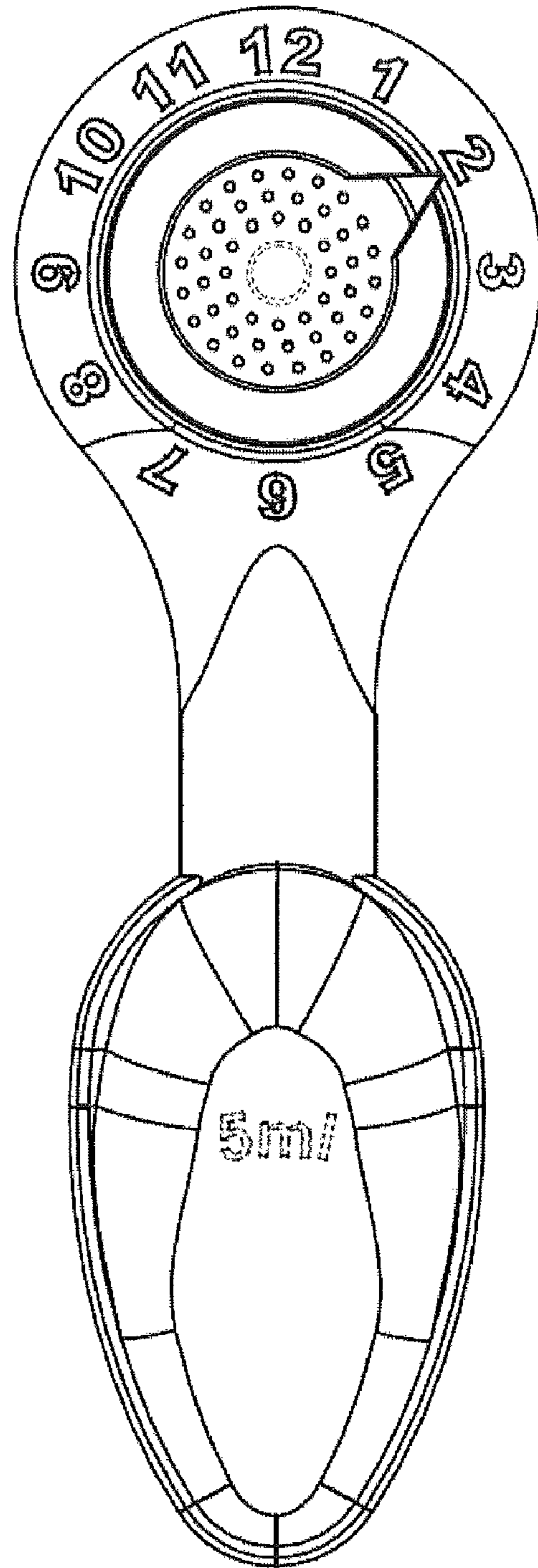


Figure 2

Figure 3

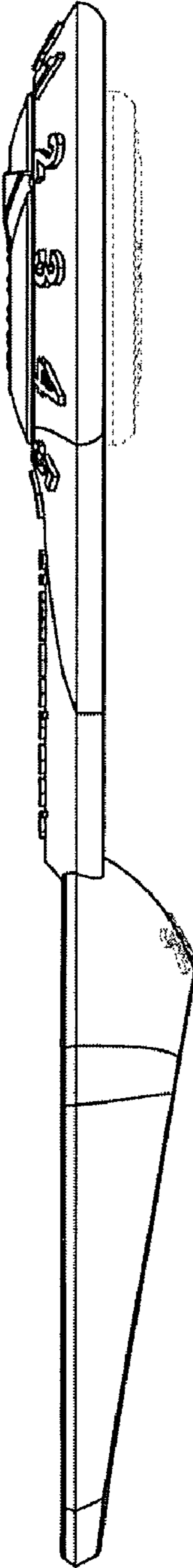


Figure 4

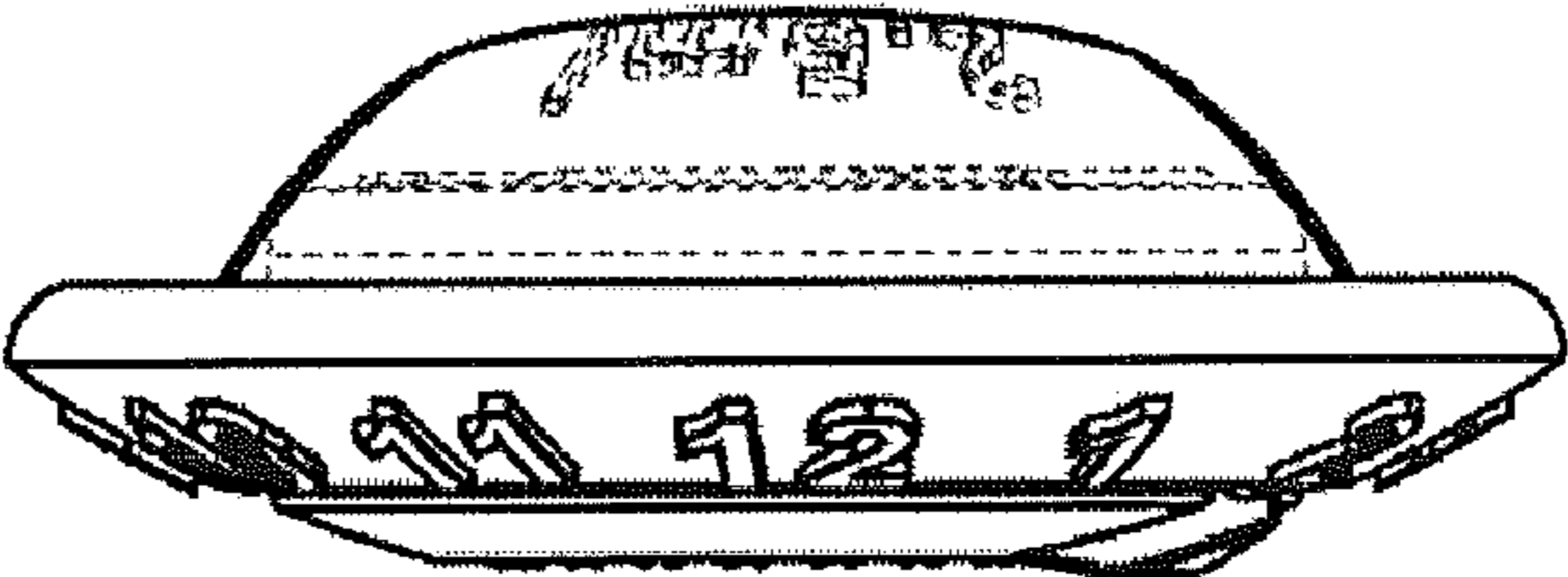


Figure 5

