



US00D612487S

(12) **United States Design Patent**
Hunter et al.

(10) **Patent No.:** **US D612,487 S**
(45) **Date of Patent:** **** Mar. 23, 2010**

(54) **INJECTOR**

2005/0096595 A1 5/2005 Restelli et al. 604/198
2005/0261634 A1 11/2005 Karlsson 604/197

(75) Inventors: **Marc W. Hunter**, Webster Groves, MO (US); **Heath A. Doty**, Webster Groves, MO (US); **Bryce G. Rutter**, St. Louis, MO (US); **Melvin J. Leedle**, St. Louis, MO (US)

(Continued)

FOREIGN PATENT DOCUMENTS

(73) Assignee: **Bristol-Myers Squibb Co.**, Princeton, NJ (US)

KR 30-0289753 1/2002

(**) Term: **14 Years**

(Continued)

(21) Appl. No.: **29/273,931**

OTHER PUBLICATIONS

(22) Filed: **Mar. 15, 2007**

Abbott Laboratories, Humira Pen Injector Product Description (circa 2006).

(51) **LOC (9) Cl.** **24-02**

Primary Examiner—Elizabeth A Albert

(52) **U.S. Cl.** **D24/114**

Assistant Examiner—Karen E Eldridge Powers

(58) **Field of Classification Search** D19/35,
D19/36, 41, 43, 44, 45, 46, 47, 48, 49, 50,
D19/51, 54, 55, 56, 57; D24/108, 112, 113,
D24/114, 130, 133, 138, 146, 147; 604/187,
604/188, 189, 197, 198, 207, 208, 227, 229,
604/232; 606/181, 185

(74) *Attorney, Agent, or Firm*—McDonnell Boehnen Hulbert & Berghoff LLP

See application file for complete search history.

(57) **CLAIM**

The ornamental design for an injector, as shown and described.

(56) **References Cited**

DESCRIPTION

U.S. PATENT DOCUMENTS

- 2,254,449 A * 9/1941 Rasmussen 604/211
- 3,115,133 A * 12/1963 Morando 604/70
- 4,801,295 A 1/1989 Spencer 604/198
- 5,000,740 A * 3/1991 Ducharme et al. 604/162
- 5,219,339 A * 6/1993 Saito 604/198
- D371,195 S * 6/1996 Krebs D24/112
- 5,685,862 A 11/1997 Mahurkar 604/194
- D418,917 S * 1/2000 Duchon et al. D24/113
- D443,356 S * 6/2001 Pajunk et al. D24/112
- D446,578 S * 8/2001 Jansen et al. D24/114
- D447,231 S * 8/2001 Chen Fu et al. D24/121
- 6,776,776 B2 * 8/2004 Alchas et al. 604/198
- D542,914 S * 5/2007 Tanghoj D24/112

FIG. 1 is a perspective view of an injector showing the design.

FIG. 2 is a side elevation view showing the design.

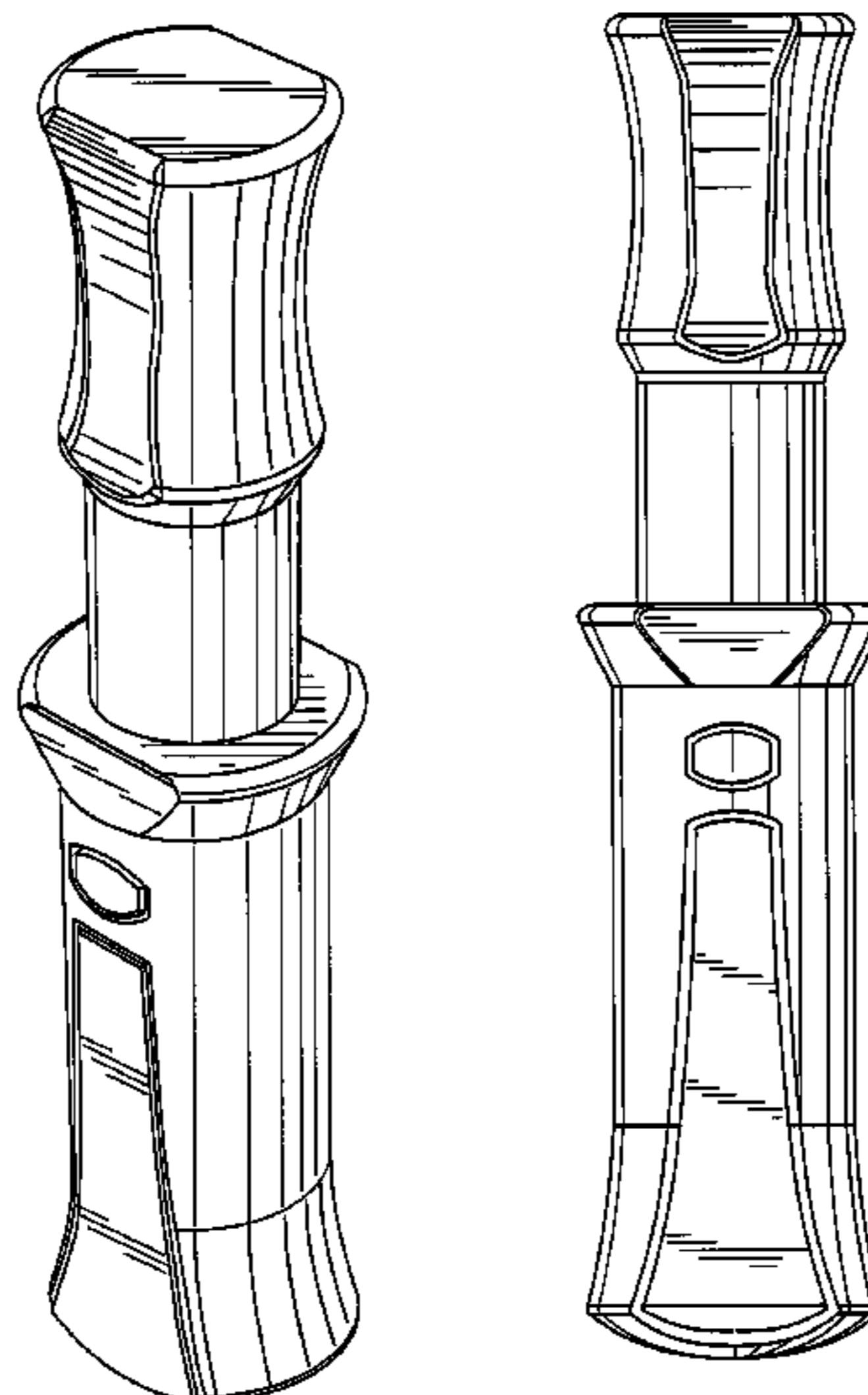
FIG. 3 is a side elevation view in a direction rotated 90 degrees from the view of FIG. 2 showing the design.

FIG. 4 is an end view of the design; and,

FIG. 5 is an opposite end view of the design.

Nature and intended use of the article in which the design is embodied: An injector for administering an injection into a human or animal subject.

1 Claim, 2 Drawing Sheets



US D612,487 S

Page 2

U.S. PATENT DOCUMENTS				KR	30-045151541	5/2007			
2005/0277895	A1	12/2005	Giambattista et al.	604/198	TW	400091	7/2000	19/261
2005/0283115	A1	12/2005	Giambattista et al.	604/110	TW	404756	9/2000	19/261
2007/0203458	A1*	8/2007	Tsubota	604/198	TW	464342	11/2001	19/261
2008/0228147	A1*	9/2008	David-Hegerich et al. ..	604/198	TW	537840	6/2003		
2008/0269692	A1*	10/2008	James et al.	604/198	TW	559533	10/2003		
					TW	114434	12/2006	24/2
					TW	D114434	12/2006		

FOREIGN PATENT DOCUMENTS

KR	30-0451541	5/2007							
----	------------	--------	--	--	--	--	--	--	--

* cited by examiner

Fig.1

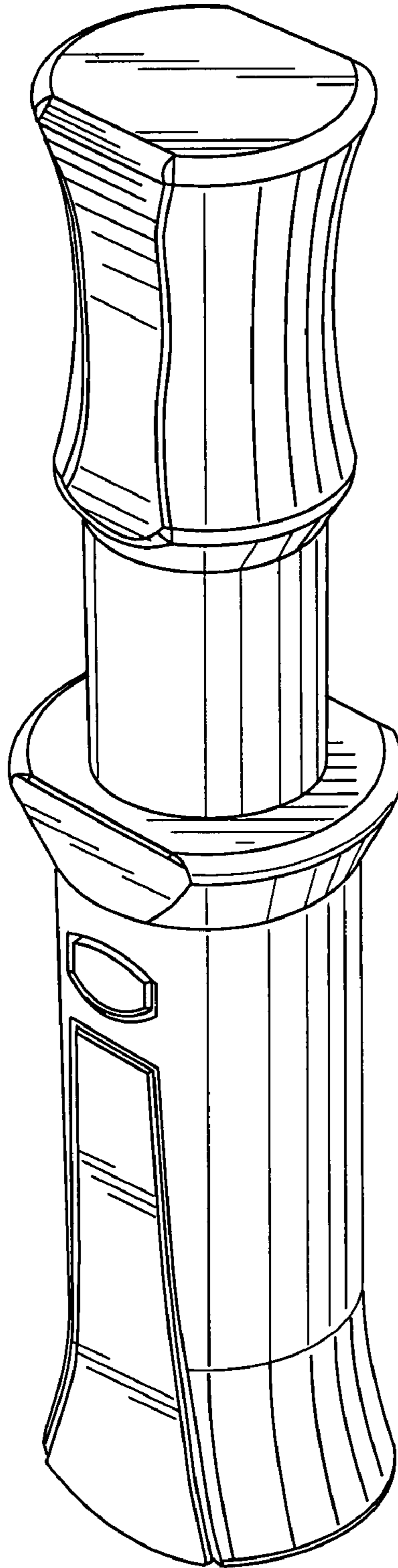


Fig. 2

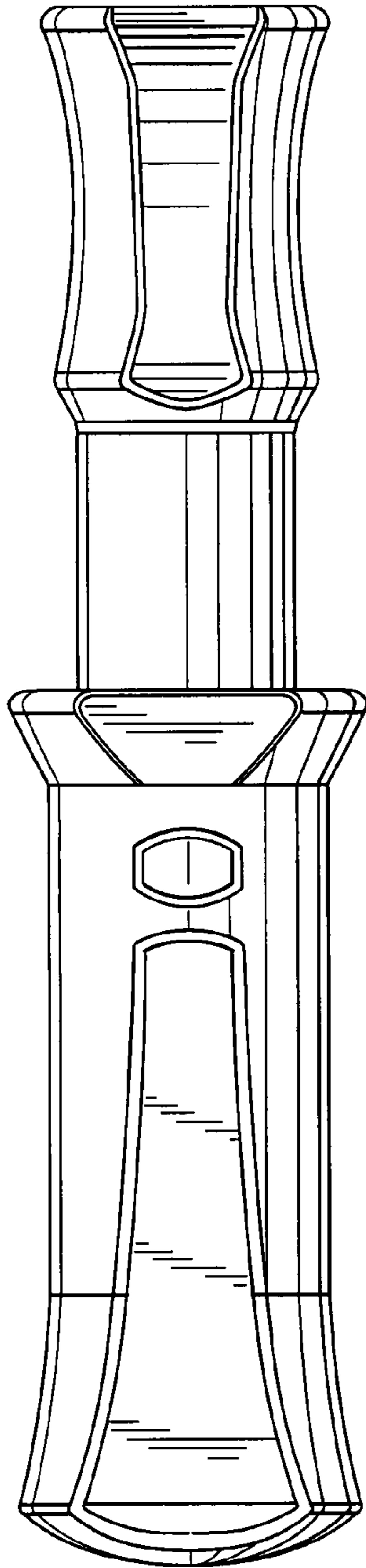


Fig. 3

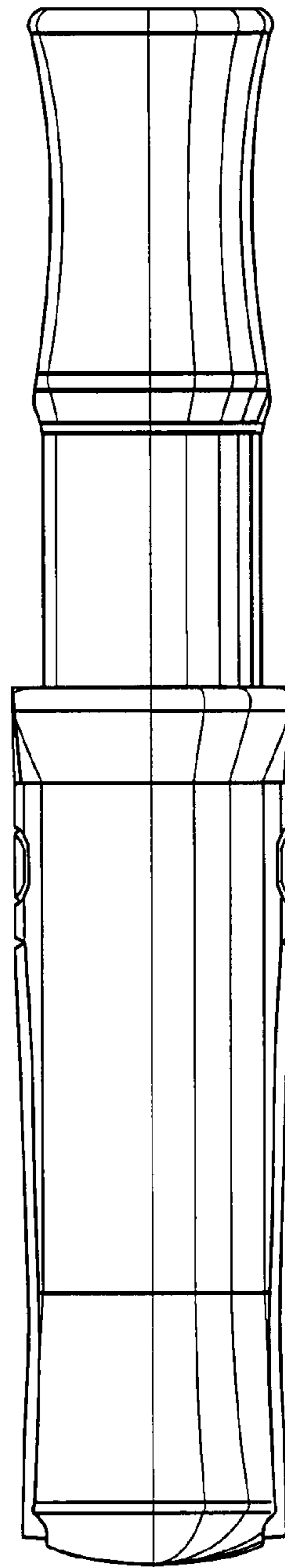


Fig. 4

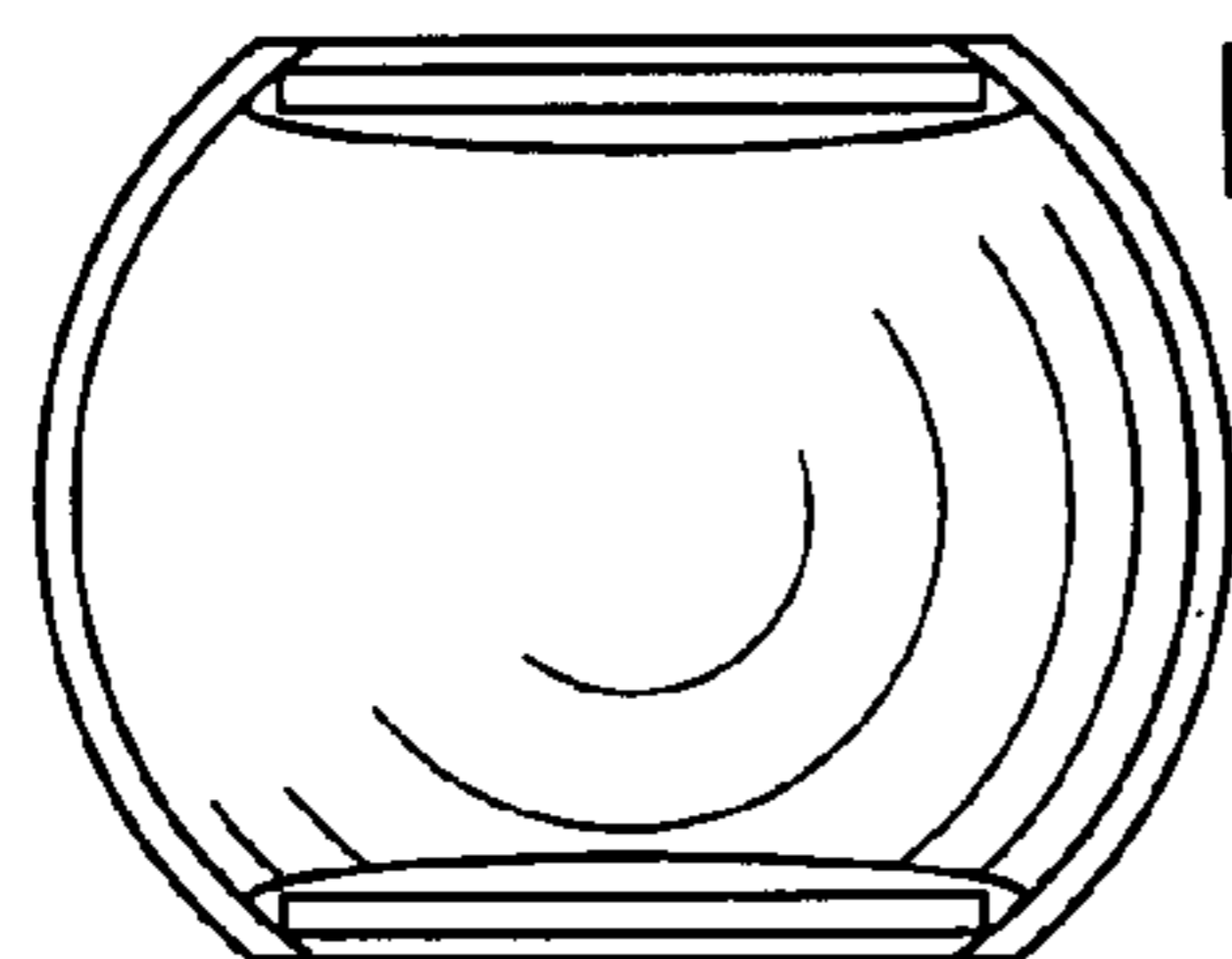


Fig. 5

