



US00D612484S

(12) **United States Design Patent**
Yodfat et al.

(10) **Patent No.:** **US D612,484 S**
(45) **Date of Patent:** **** Mar. 23, 2010**

(54) **INSERTER FOR USE WITH FLUID INFUSION PUMP**

(75) Inventors: **Ofer Yodfat**, Maccabim-Reut (IL);
Avraham Neta, D.N. Misgav (IL)

(73) Assignee: **Medingo, Ltd.**, Illit Yoqneam (IL)

(**) Term: **14 Years**

(21) Appl. No.: **29/288,889**

(22) Filed: **Jun. 25, 2007**

(51) **LOC (9) Cl.** **24-02**

(52) **U.S. Cl.** **D24/111**

(58) **Field of Classification Search** D24/107,
D24/108, 111, 128, 169, 186; 604/151, 152,
604/4.01, 326, 5.01, 154, 155, 891.1; 128/DIG. 1,
128/DIG. 2, DIG. 12, DIG. 13; D15/7-9
See application file for complete search history.

(56) **References Cited**

U.S. PATENT DOCUMENTS

D428,654 S	*	7/2000	Schlesinger et al.	D24/169
D452,564 S	*	12/2001	Micinski et al.	D24/169
D459,812 S	*	7/2002	Ijiri	D24/169
D471,274 S	*	3/2003	Diaz et al.	D24/111
D516,217 S	*	2/2006	Brown et al.	D24/186
D522,656 S	*	6/2006	Orr et al.	D24/169
D522,657 S	*	6/2006	Murphy et al.	D24/186
D526,719 S	*	8/2006	Richie et al.	D24/186
D529,616 S	*	10/2006	Deros et al.	D24/186
D564,087 S	*	3/2008	Yodfat et al.	D24/108

* cited by examiner

Primary Examiner—Ian Simmons

Assistant Examiner—Carissa C Fitts

(74) *Attorney, Agent, or Firm*—Mintz, Levin, Cohn, Ferris,
Glvosky and Popeo PC

(57) **CLAIM**

The ornamental design for a inserter for use with fluid infusion pump, as shown and described.

DESCRIPTION

FIG. 1 is a front side view of a inserter for use with fluid infusion pump;

FIG. 2 is a back side view of a inserter for use with fluid infusion pump;

FIG. 3 is a right side view of a inserter for use with fluid infusion pump;

FIG. 4 is a left side view of a inserter for use with fluid infusion pump;

FIG. 5 is a top view of a inserter for use with fluid infusion pump;

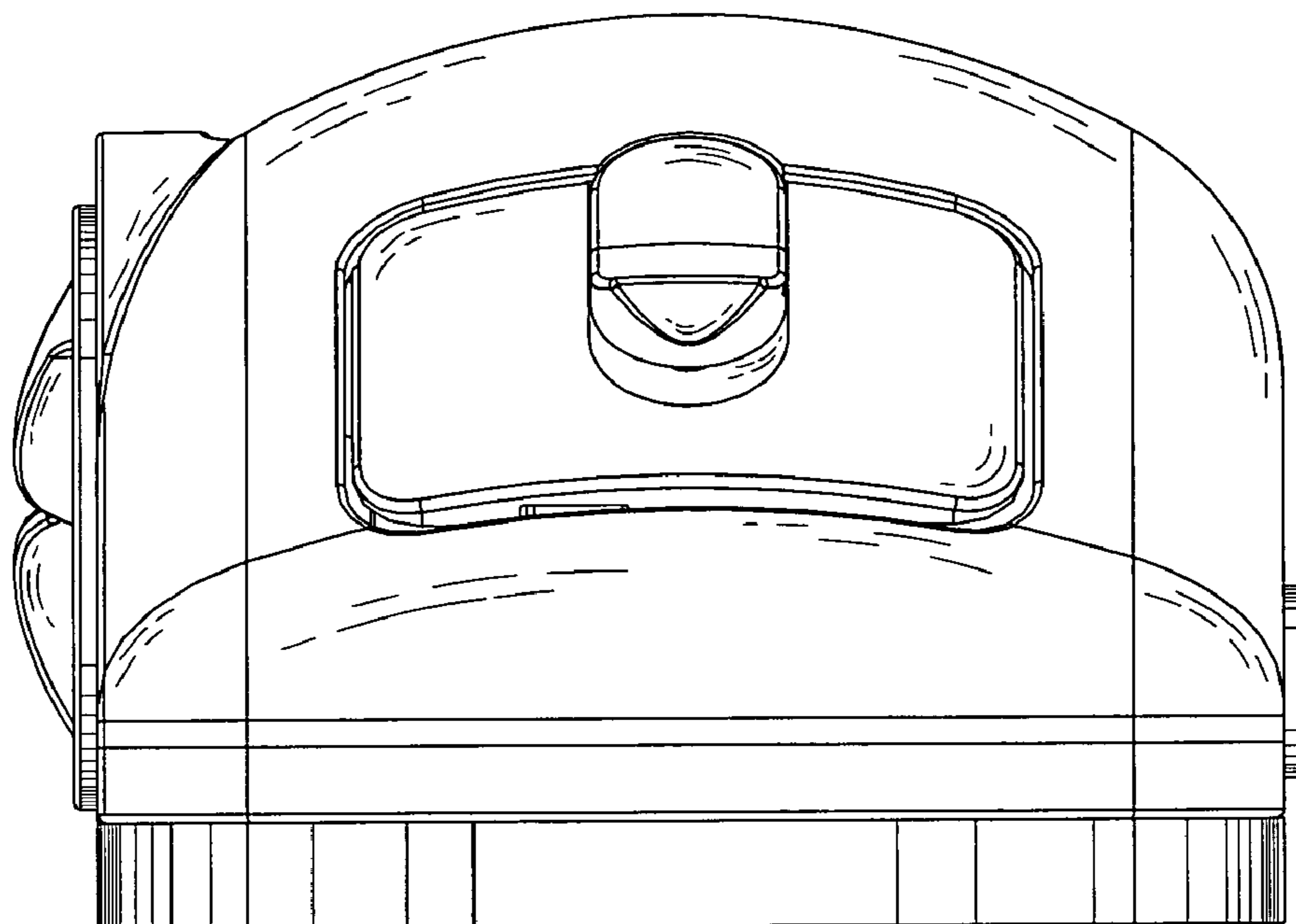
FIG. 6 is a bottom view of a inserter for use with fluid infusion pump;

FIG. 7 is a first isometric view of a inserter for use with fluid infusion pump;

FIG. 8 is a second isometric view of a inserter for use with fluid infusion pump; and,

FIG. 9 is a third isometric view of a inserter for use with fluid infusion pump.

1 Claim, 5 Drawing Sheets



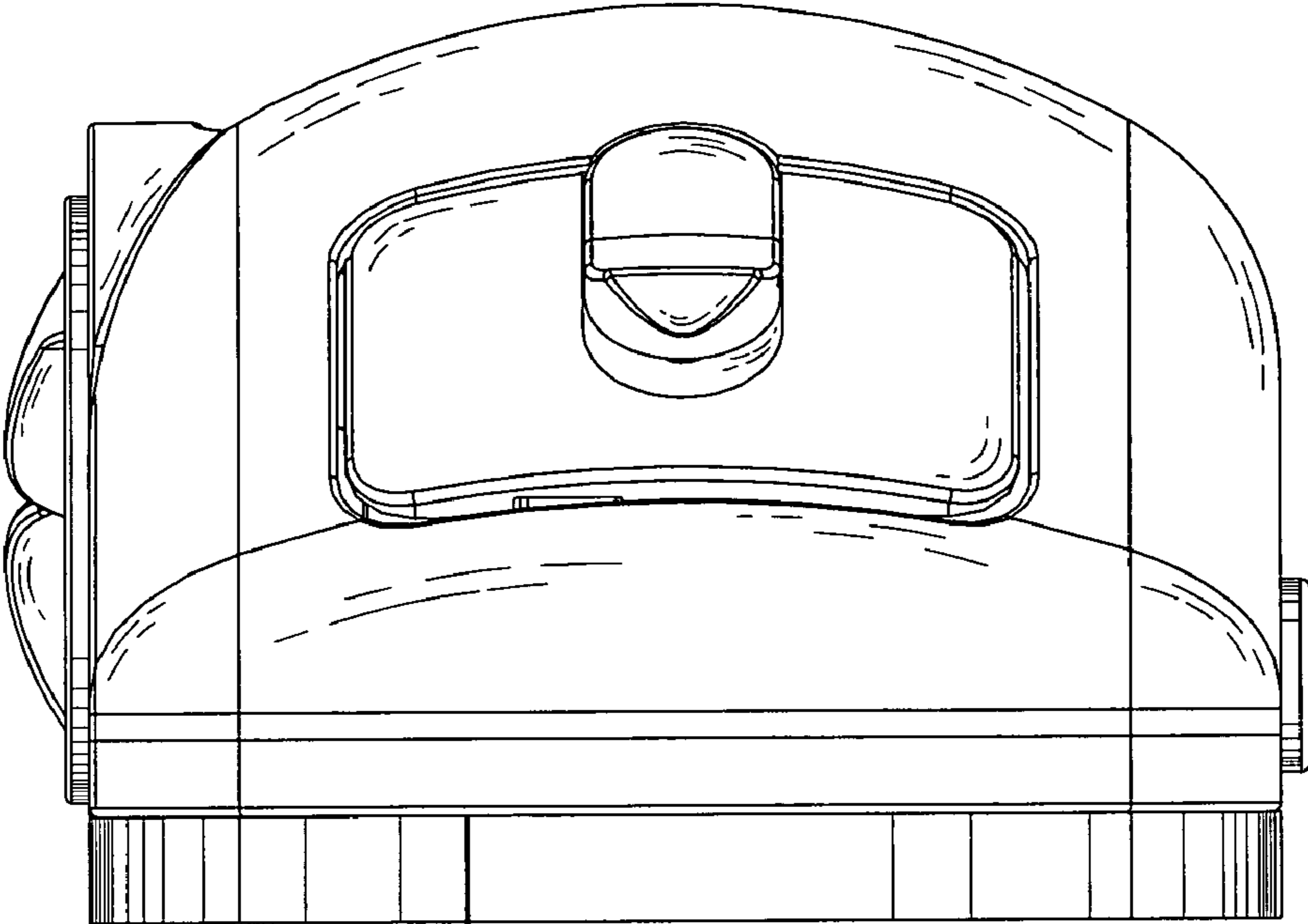


FIG. 1

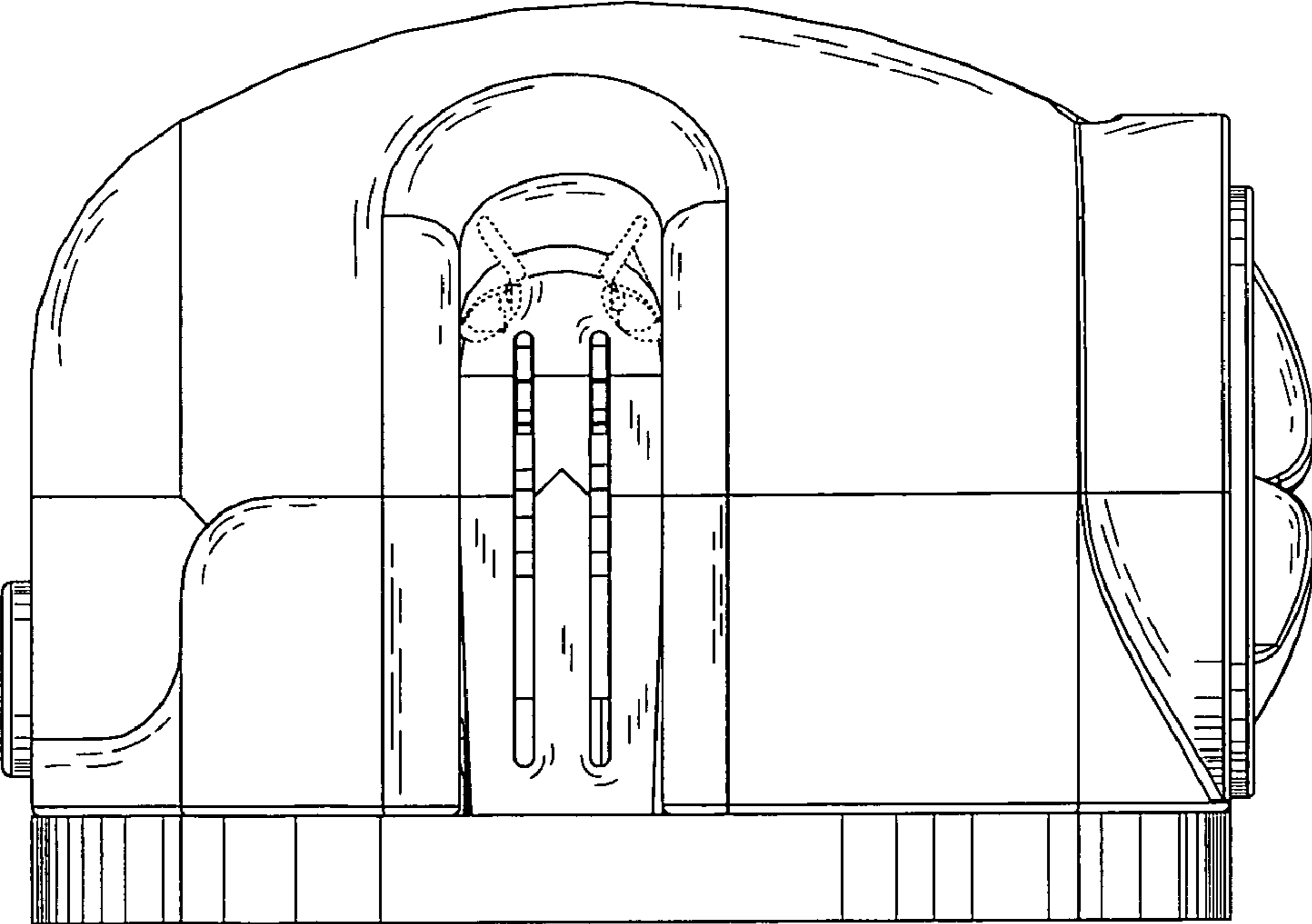


FIG. 2

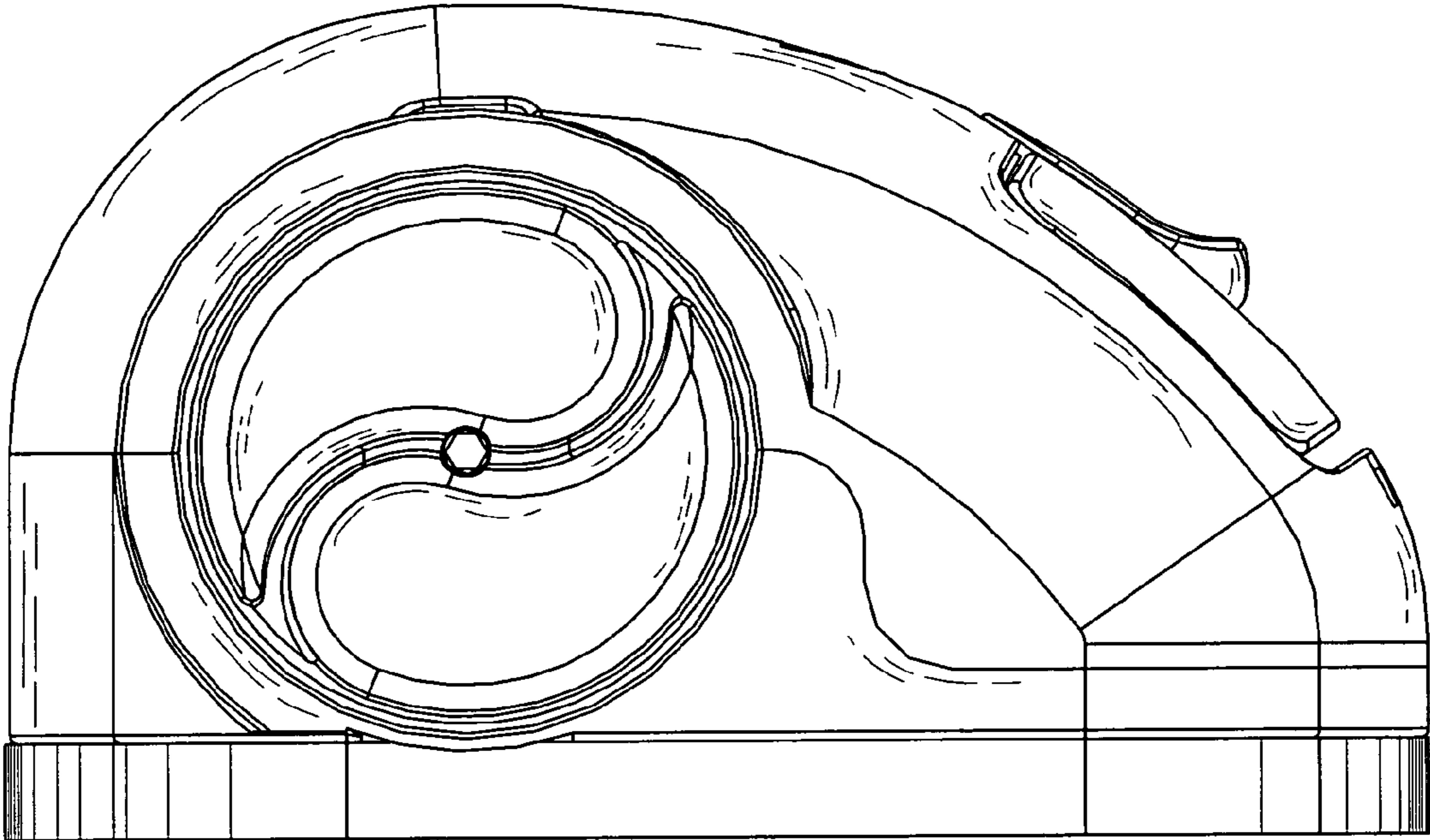


FIG. 3

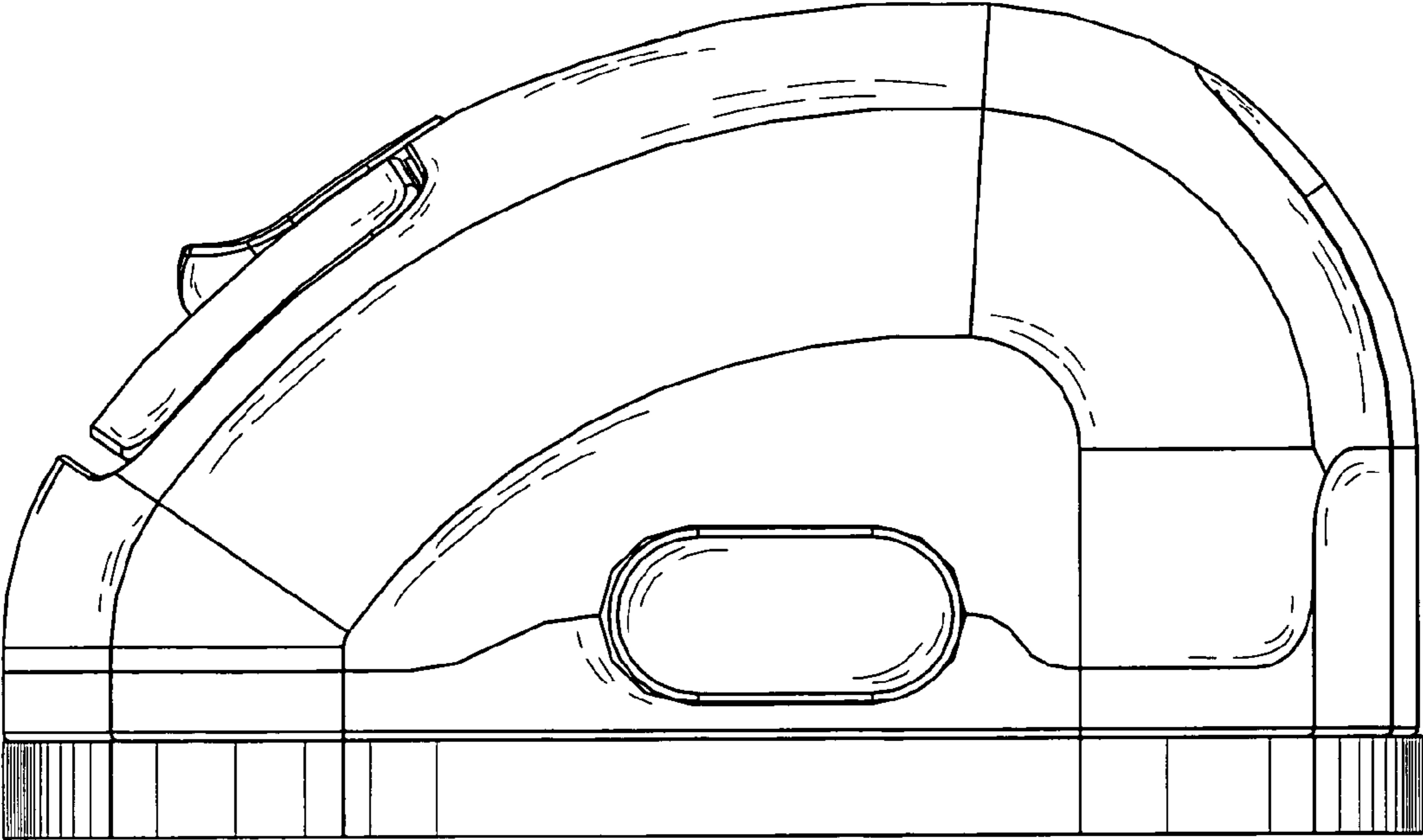


FIG. 4

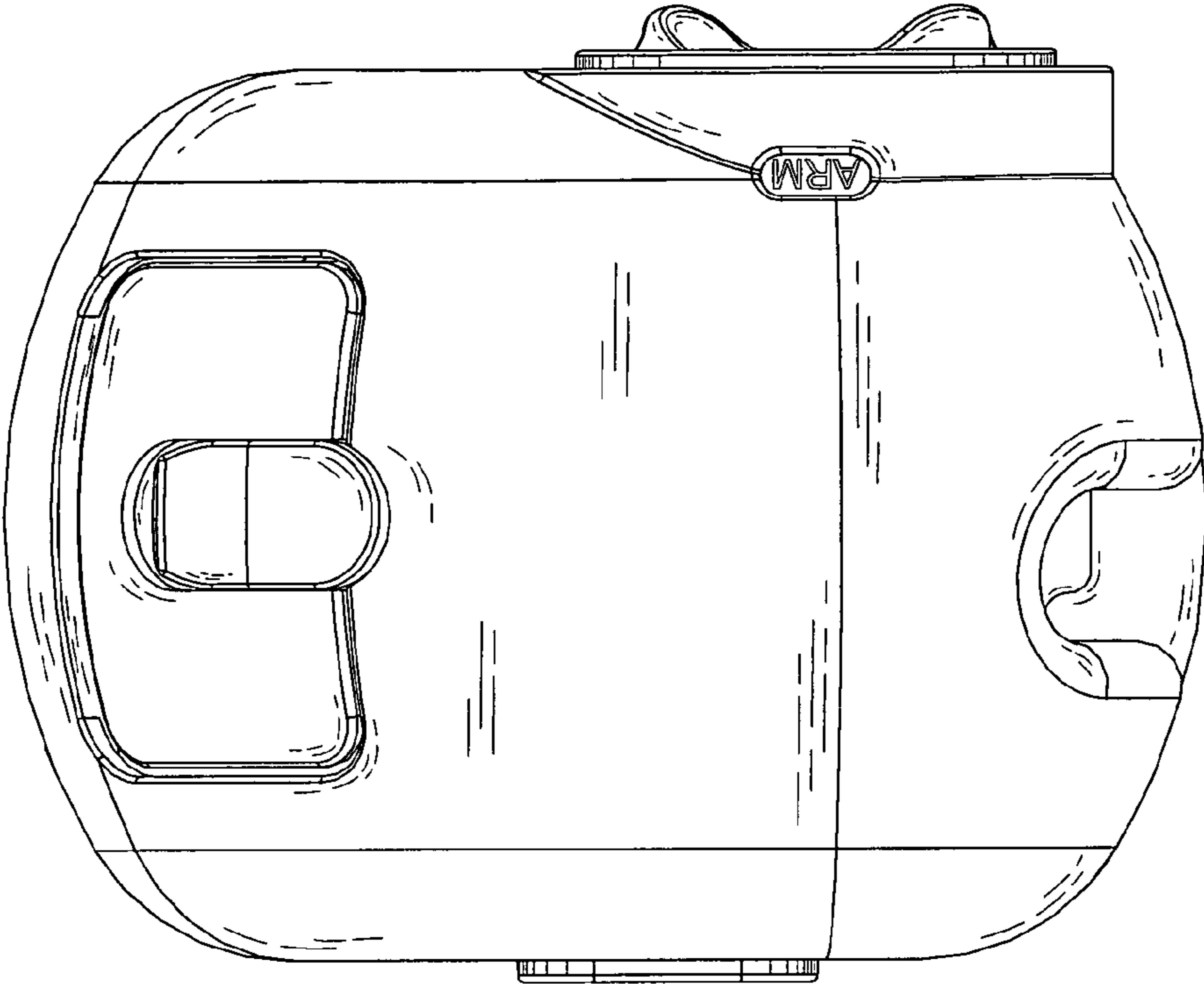


FIG. 5

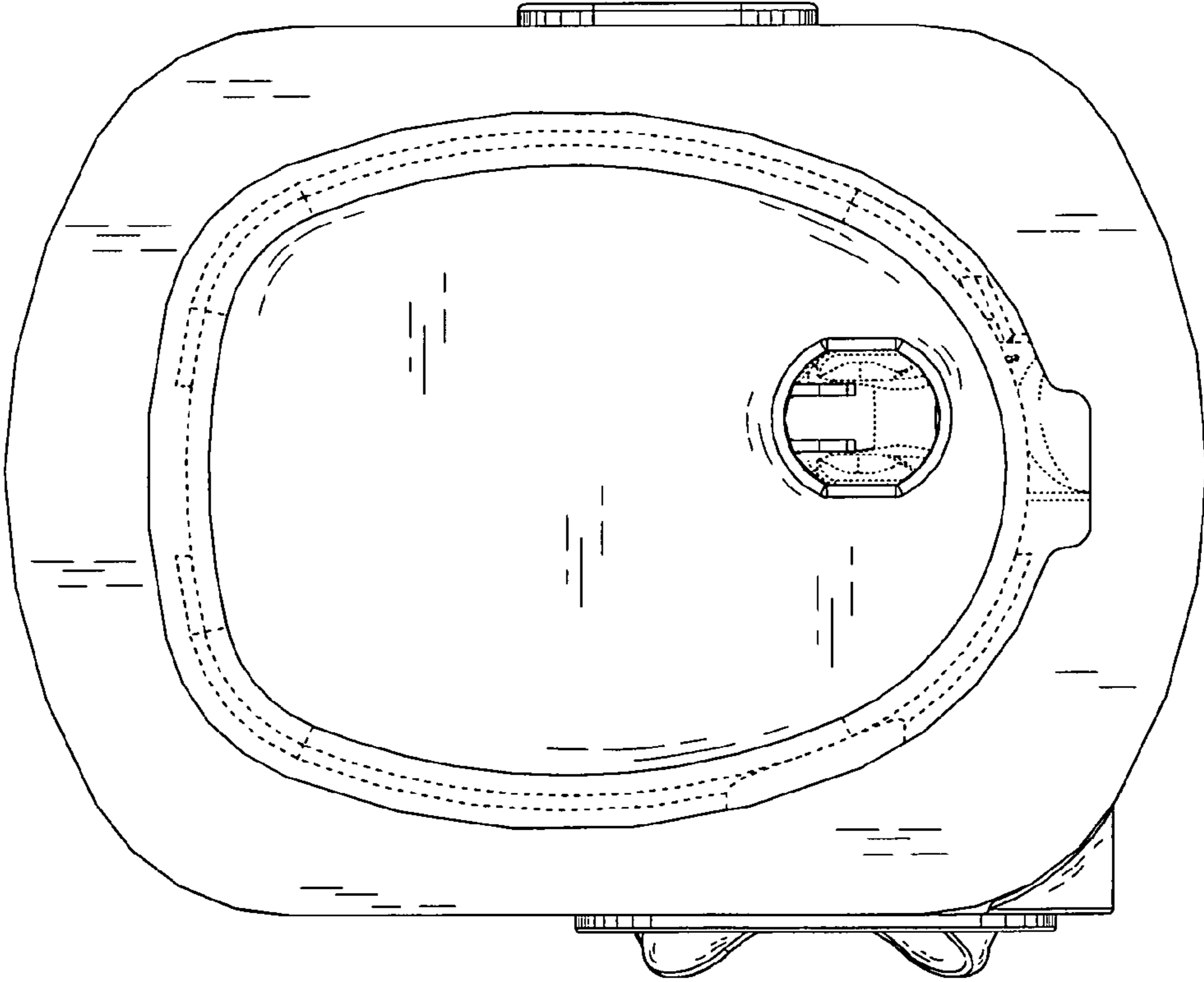


FIG. 6

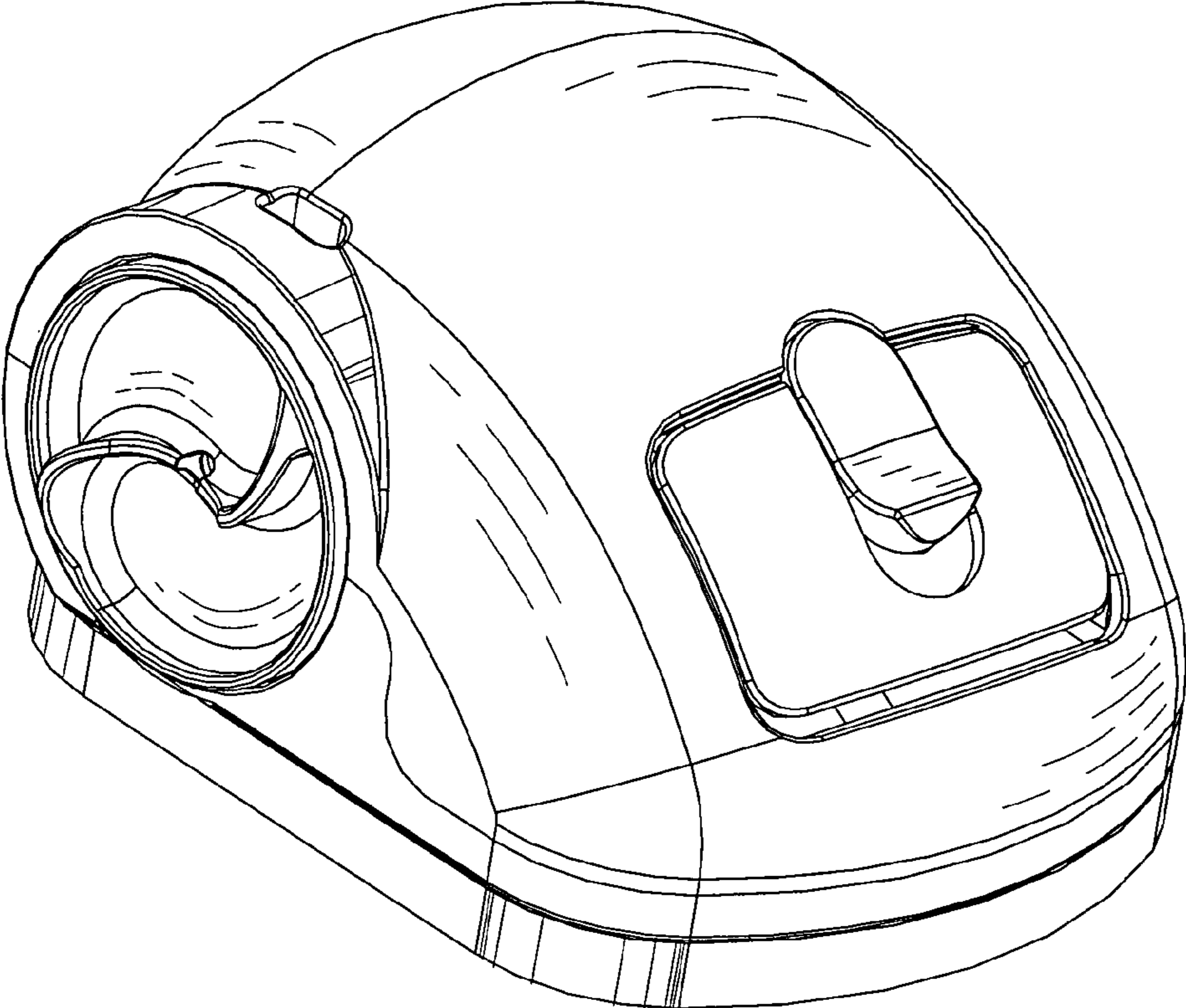


FIG. 7

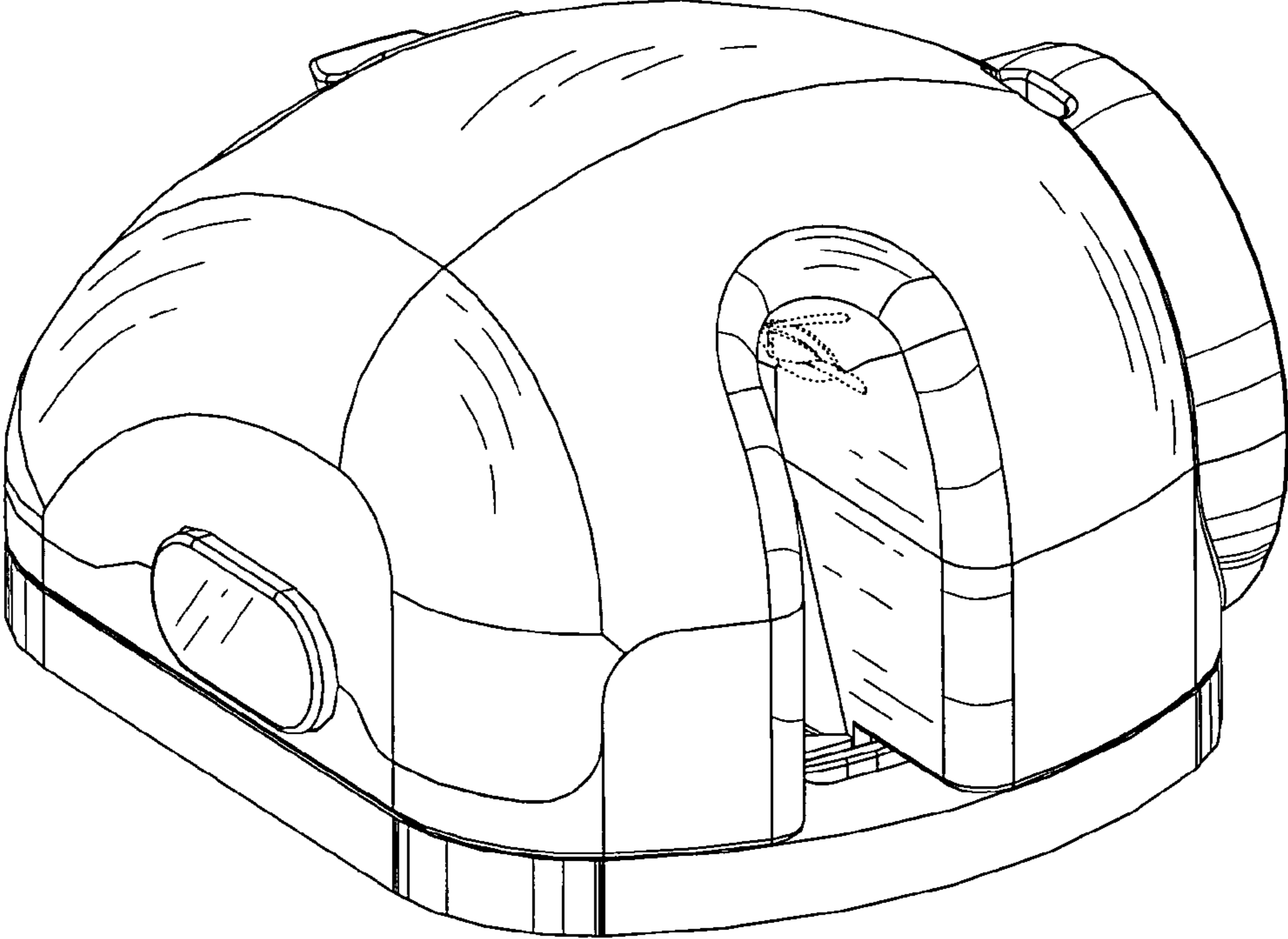


FIG. 8

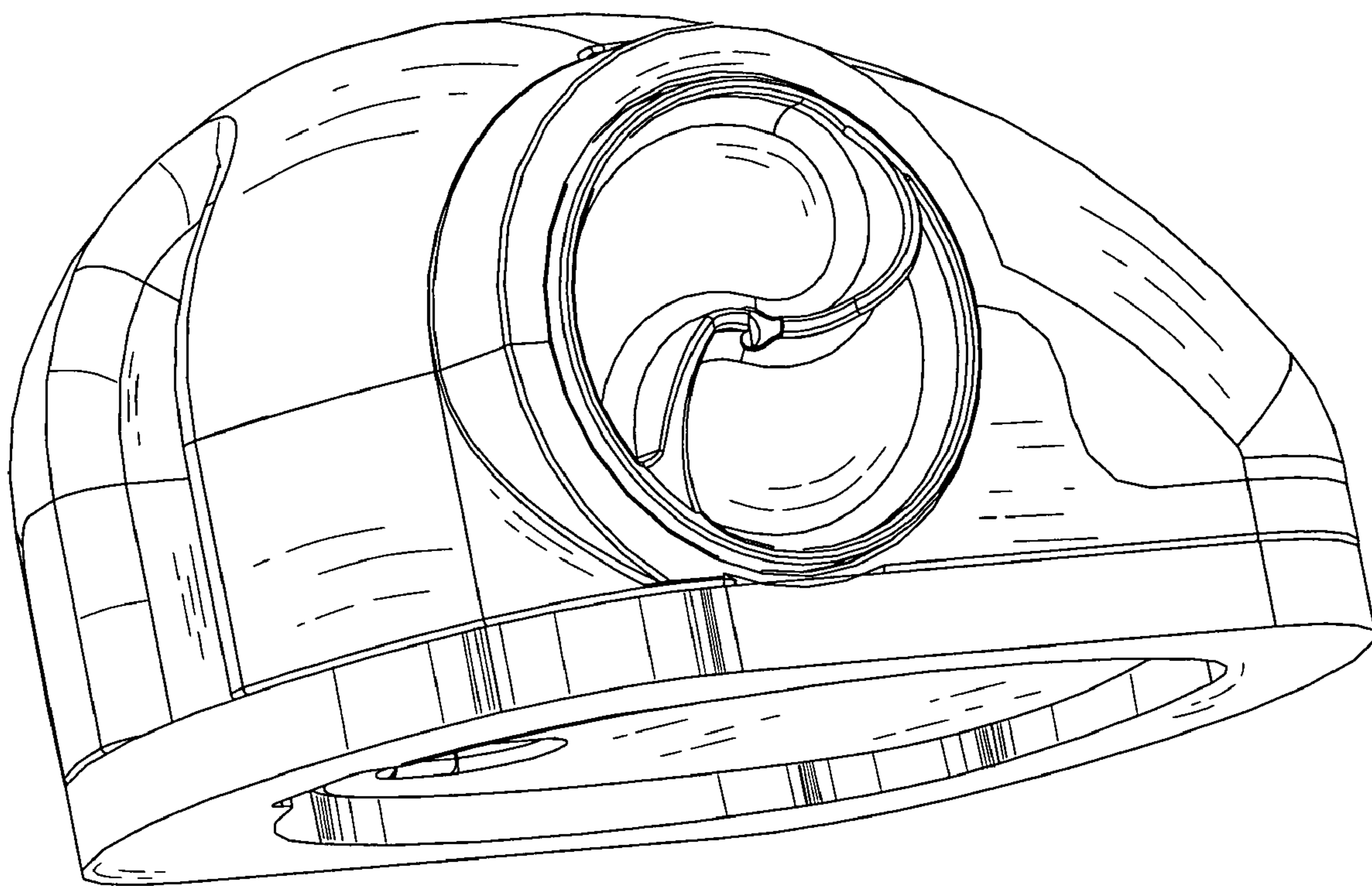


FIG. 9