



US00D612481S

(12) **United States Design Patent**
Reid et al.

(10) **Patent No.:** **US D612,481 S**
(45) **Date of Patent:** **** Mar. 23, 2010**

(54) **ELBOW FOR RESPIRATORY MASK**

(75) Inventors: **Michael John Reid**, Stanmore (AU);
Alison Oldenburg, Crows Nest (AU);
Lemmy Nga, Glenwood (AU)

(73) Assignee: **ResMed Limited**, Bella Vista (AU)

(**) Term: **14 Years**

(21) Appl. No.: **29/311,622**

(22) Filed: **May 4, 2009**

Related U.S. Application Data

(62) Division of application No. 29/309,392, filed on Aug. 7, 2008, now Pat. No. Des. 594,113.

(51) **LOC (9) Cl.** **29-02**

(52) **U.S. Cl.** **D24/110.1; D24/110.4;**
D24/110.5

(58) **Field of Classification Search** **D24/110.1,**
D24/110.4, 110.5; 128/207.13, 207.11, 205.25,
128/207.12, 206.21, 206.27, 206.26, 207.17,
128/204.18

See application file for complete search history.

(56) **References Cited**

U.S. PATENT DOCUMENTS

- D218,009 S 7/1970 Bosack
- D387,734 S 12/1997 Hawkins et al.
- D416,060 S 11/1999 Angeles
- 6,467,483 B1 10/2002 Kopacko
- D470,976 S 2/2003 Rizzuto, Jr.
- 6,691,707 B1 2/2004 Gunaratnam
- D496,098 S 9/2004 Guney

- 6,851,425 B2 2/2005 Jaffre et al.
- 6,907,882 B2 6/2005 Ging
- D535,023 S 1/2007 Smart et al.
- D579,105 S 10/2008 Jones et al.
- D580,048 S * 11/2008 Guney et al. D24/110.1
- D581,041 S * 11/2008 Moore et al. D24/110.1

FOREIGN PATENT DOCUMENTS

WO WO 2005/051468 6/2005

OTHER PUBLICATIONS

Reid et al., U.S. Appl. No. 29/309,392, filed Aug. 7, 2008.
Selvarajan et al., U.S. Appl. No. 29/261,579, filed Jun. 16, 2006.

* cited by examiner

Primary Examiner—Ian Simmons

Assistant Examiner—Christopher Lee

(74) *Attorney, Agent, or Firm*—Nixon & Vanderhye P.C.

(57) **CLAIM**

The ornamental design for an elbow for a respiratory mask, as shown.

DESCRIPTION

FIG. 1 is a front perspective view of an elbow for a respiratory mask according to an embodiment of our design;

FIG. 2 is a reverse perspective view thereof;

FIG. 3 is a rear view thereof;

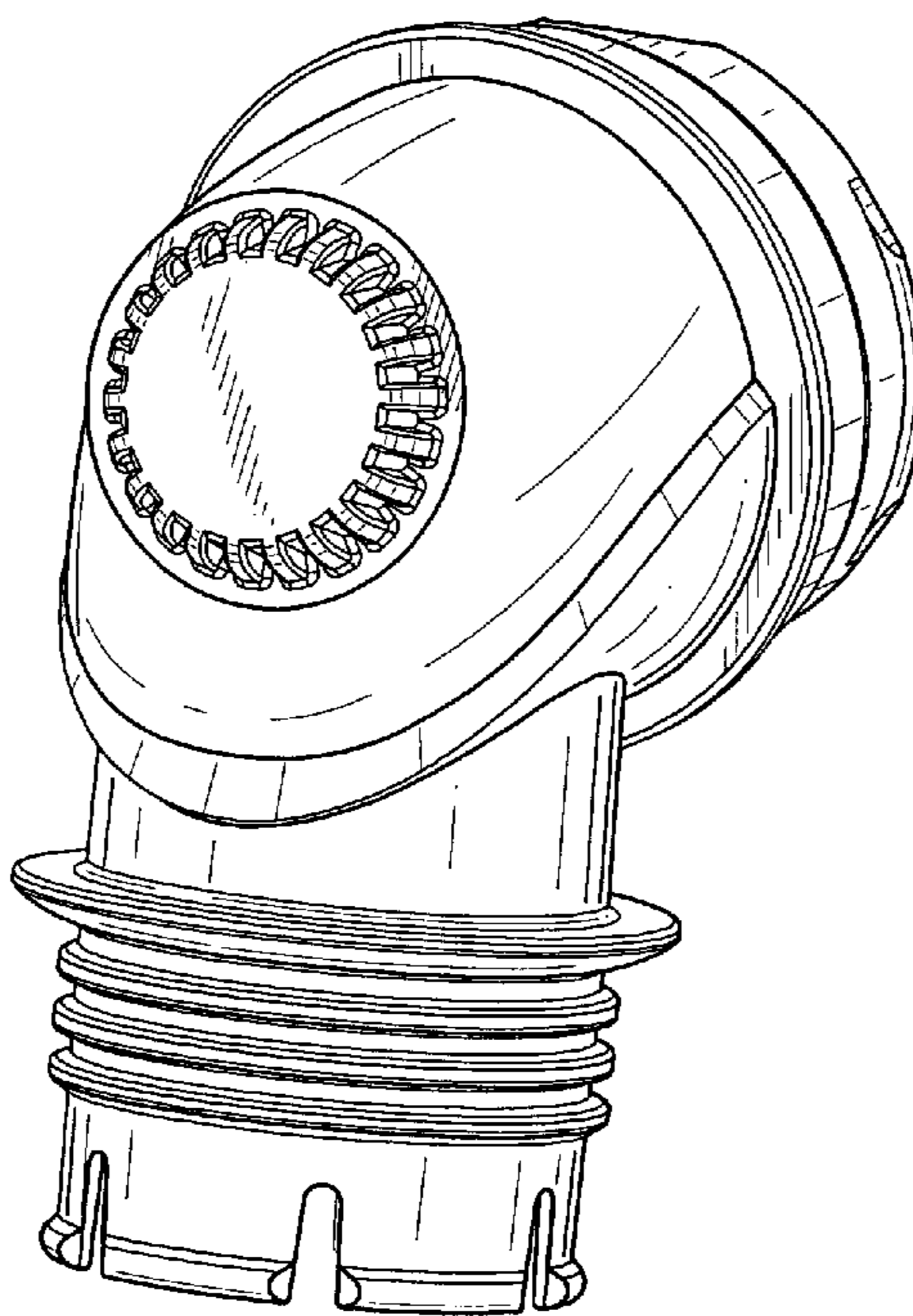
FIG. 4 is a front view thereof;

FIG. 5 is a top view thereof;

FIG. 6 is a bottom view thereof; and,

FIG. 7 is a right side view thereof, with the left side view thereof being a mirror image thereof.

1 Claim, 4 Drawing Sheets



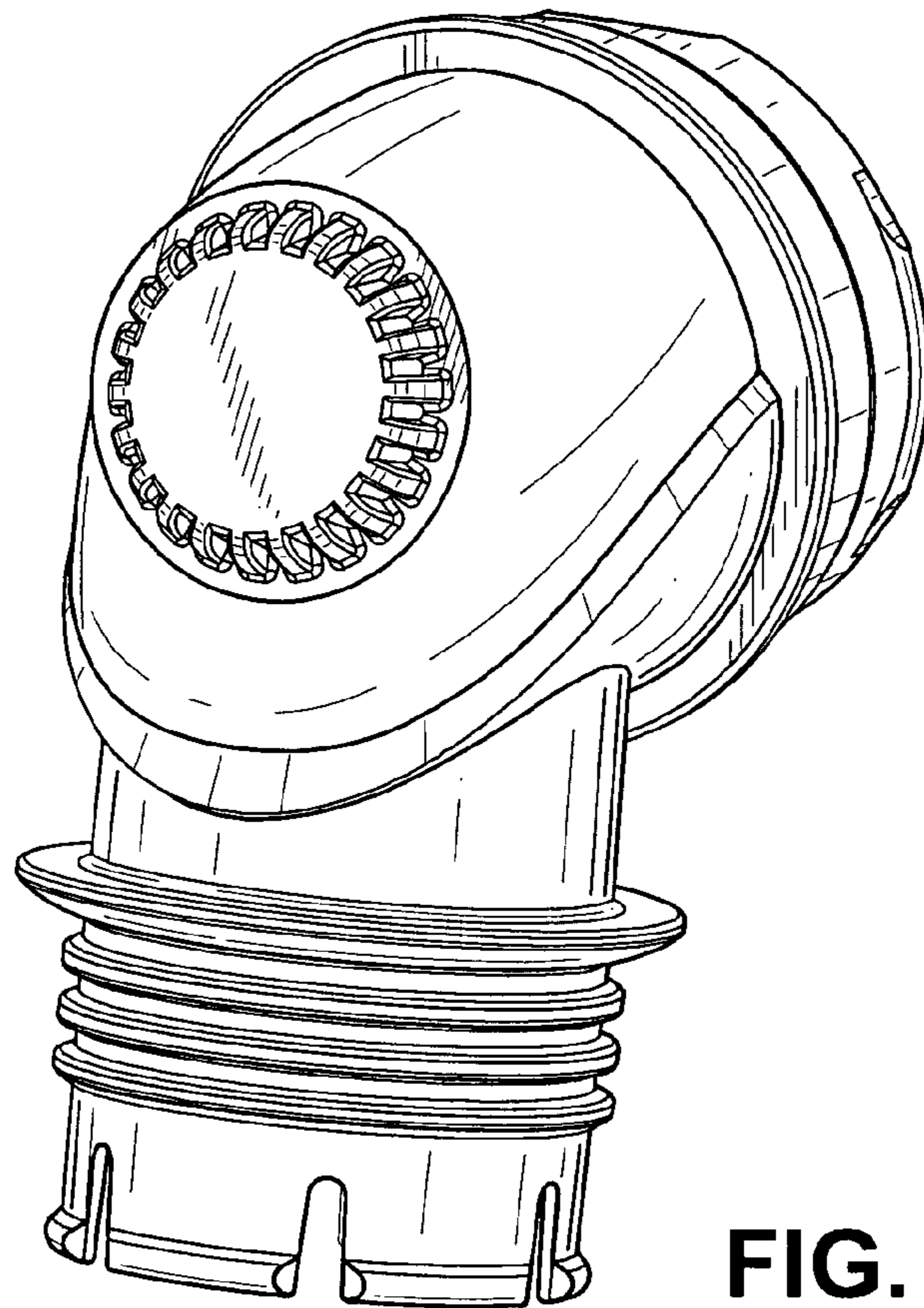


FIG. 1

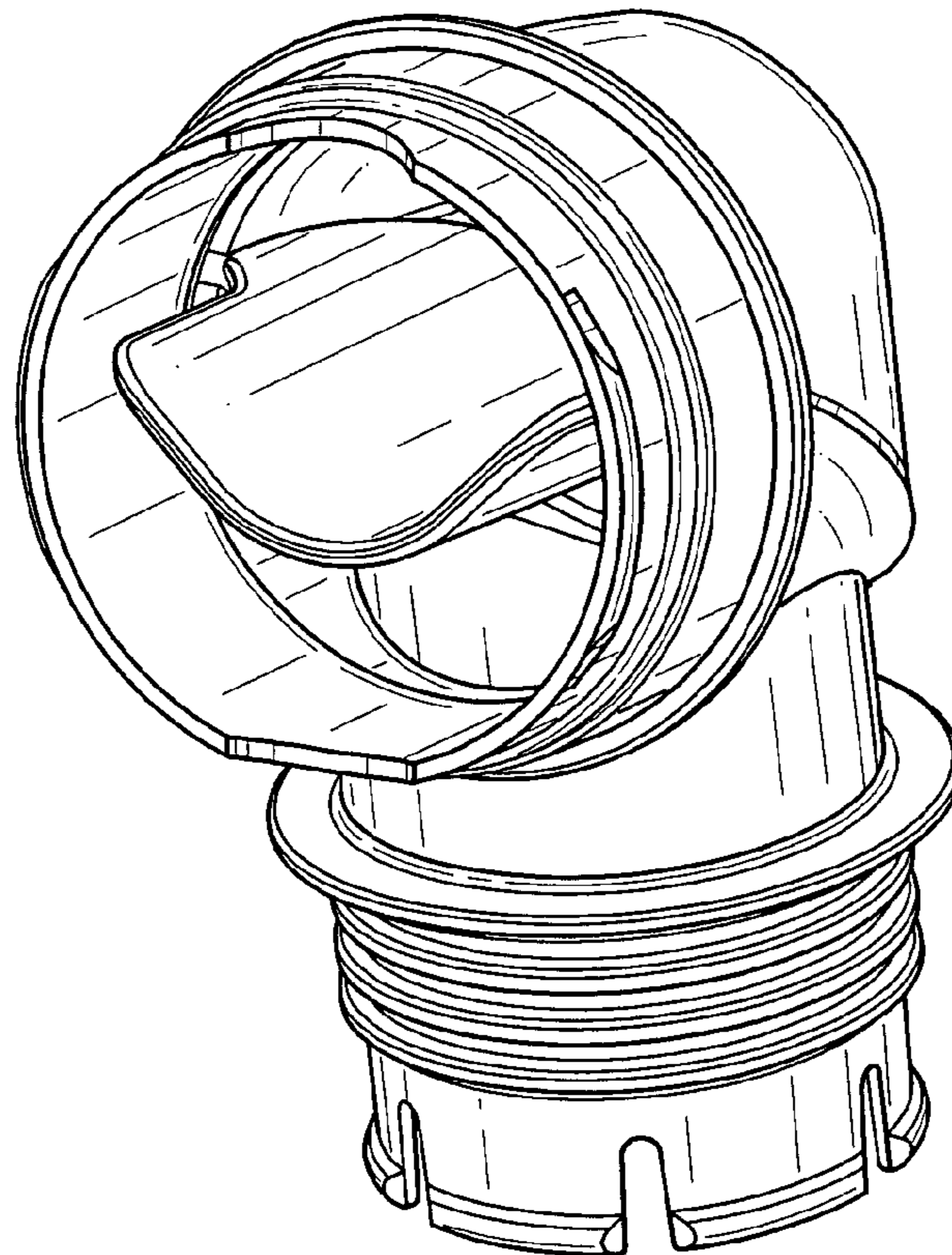


FIG. 2

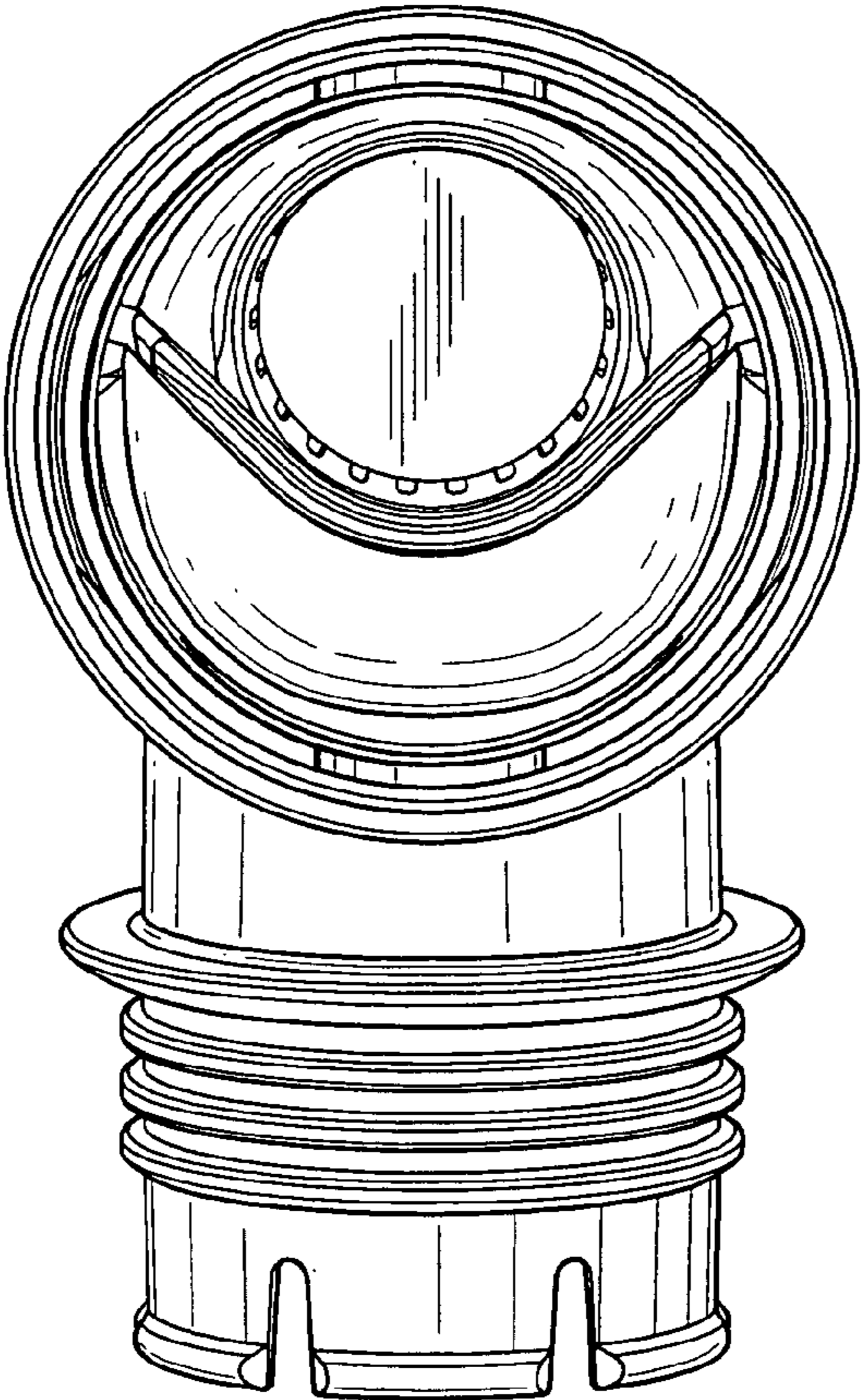


FIG. 3

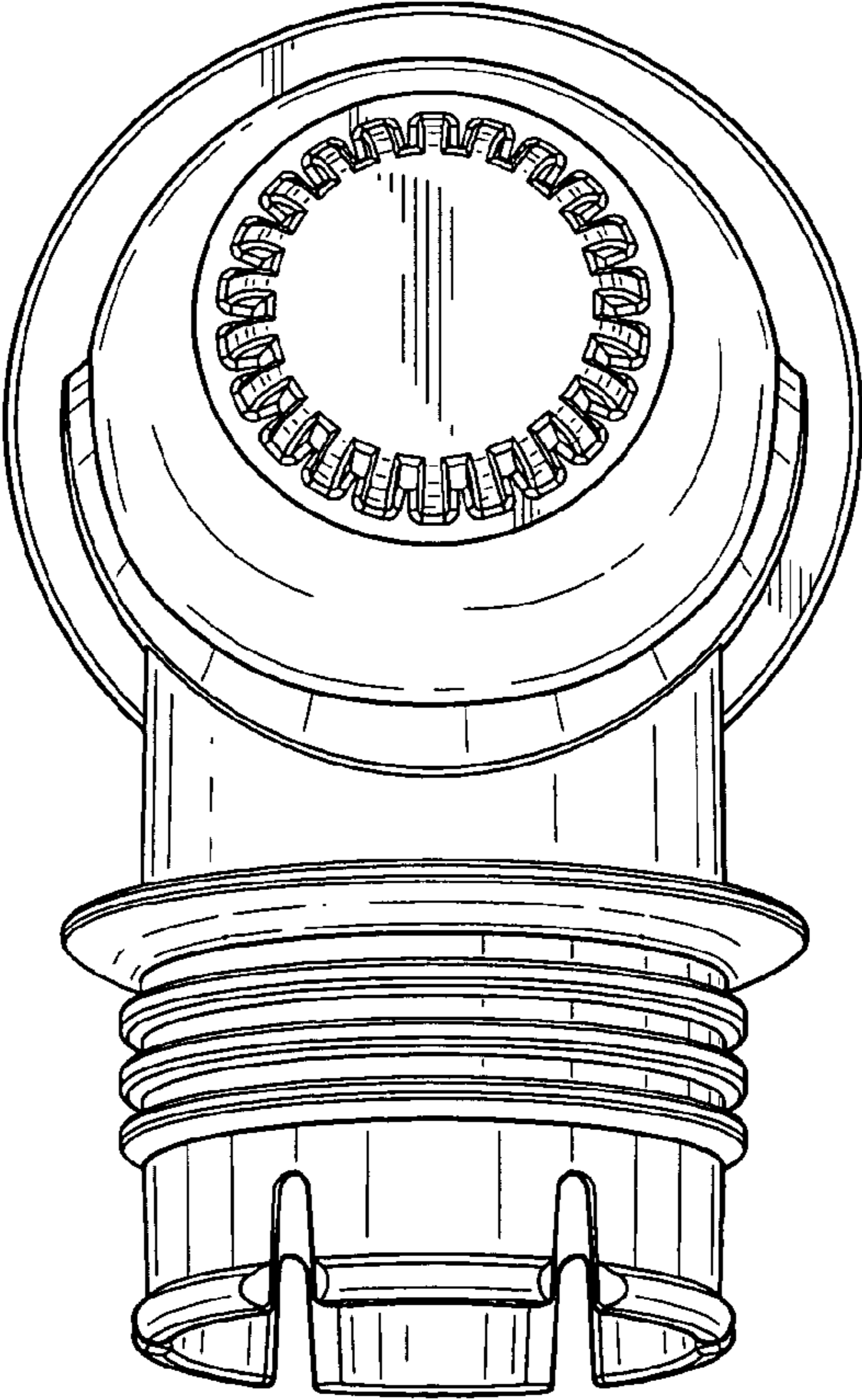


FIG. 4

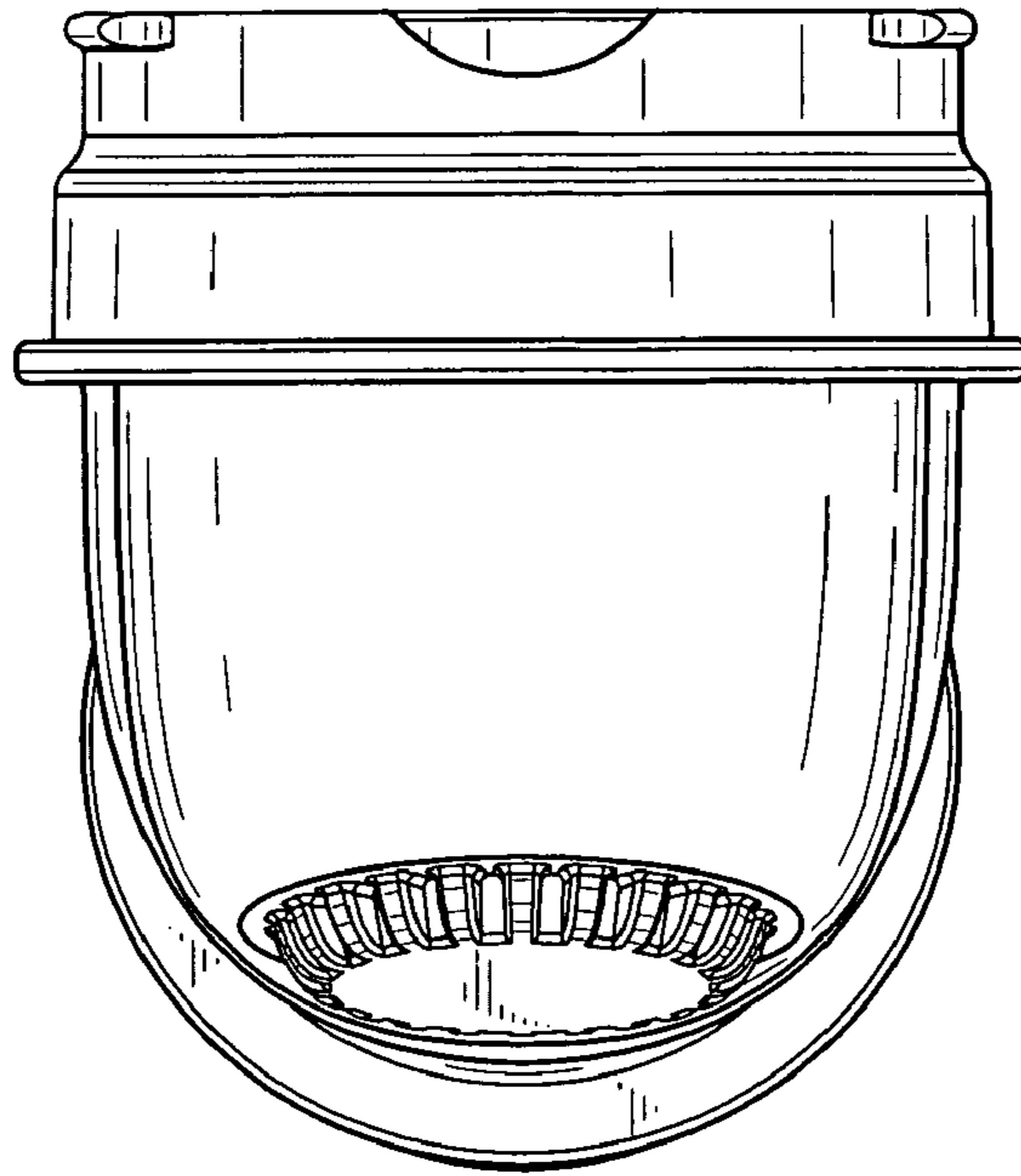


FIG. 5

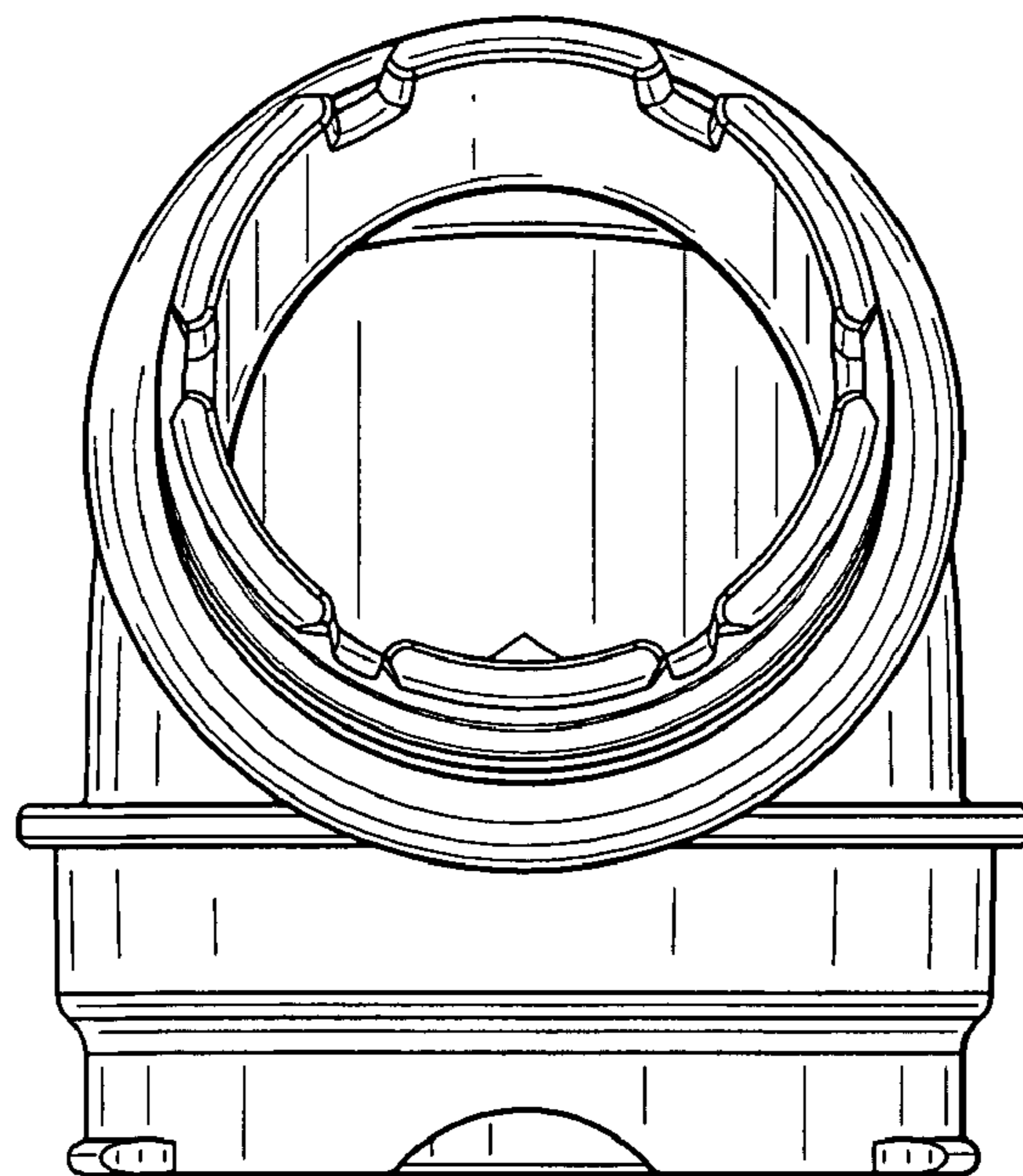


FIG. 6

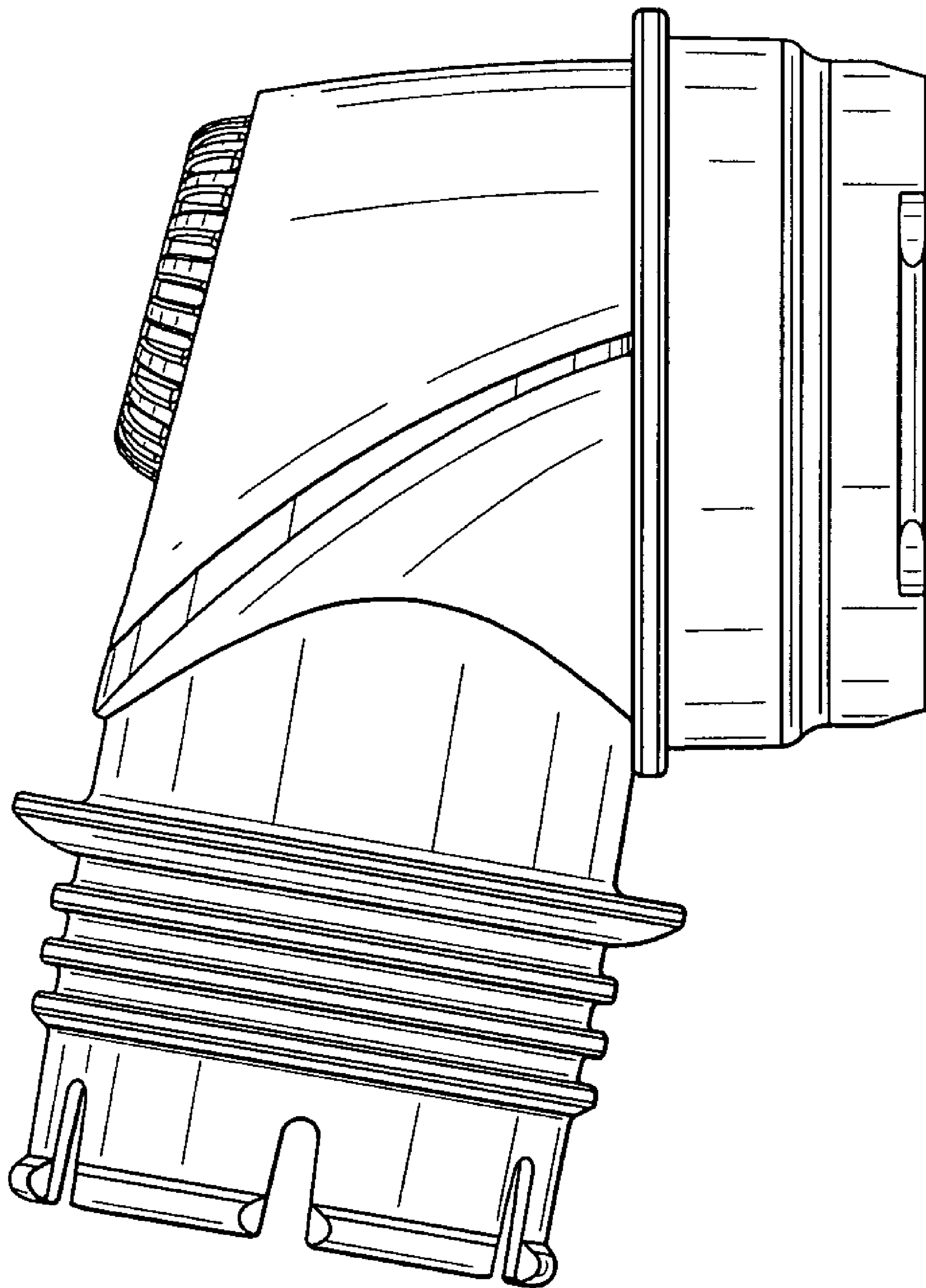


FIG. 7