



US00D612480S

(12) **United States Design Patent**
Cork et al.

(10) **Patent No.:** **US D612,480 S**
(45) **Date of Patent:** **** Mar. 23, 2010**

(54) **HUMIDIFIER TUB**

(75) Inventors: **Simon Robert Cork**, Wollstonecraft (AU); **John Zekic**, Quakers Hill (AU); **Benjamin John Hunter**, Castle Hill (AU); **John Michael Snow**, Busselton (AU)

(73) Assignee: **Resmed Limited**, Bella Vista (AU)

(**) Term: **14 Years**

(21) Appl. No.: **29/311,501**

(22) Filed: **Apr. 2, 2009**

Related U.S. Application Data

(62) Division of application No. 29/300,623, filed on Apr. 18, 2008, now Pat. No. Des. 592,301.

(51) **LOC (9) Cl.** **29-02**

(52) **U.S. Cl.** **D24/110**

(58) **Field of Classification Search** D24/110, D24/164; D23/356, 358; 128/200.24, 200.23, 128/200.18, 200.22, 200.16, 200.14, 203.16, 128/203.17, 204.18, 204.23
See application file for complete search history.

(56) **References Cited**

U.S. PATENT DOCUMENTS

D476,077 S * 6/2003 Lithgow et al. D24/110

D557,406 S * 12/2007 Lithgow et al. D24/110
D561,891 S 2/2008 Lithgow
D578,204 S 10/2008 Lithgow et al.
D590,494 S * 4/2009 Lithgow et al. D24/110

OTHER PUBLICATIONS

Cork et al., U.S. Appl. No. 29/300,623, filed Apr. 18, 2008.

* cited by examiner

Primary Examiner—Ian Simmons

Assistant Examiner—Christopher Lee

(74) *Attorney, Agent, or Firm*—Nixon & Vanderhye P.C.

(57) **CLAIM**

The ornamental appearance of a humidifier tub, as shown.

DESCRIPTION

FIG. 1 is a perspective view of a humidifier tub according to our design;

FIG. 2 is a front view thereof;

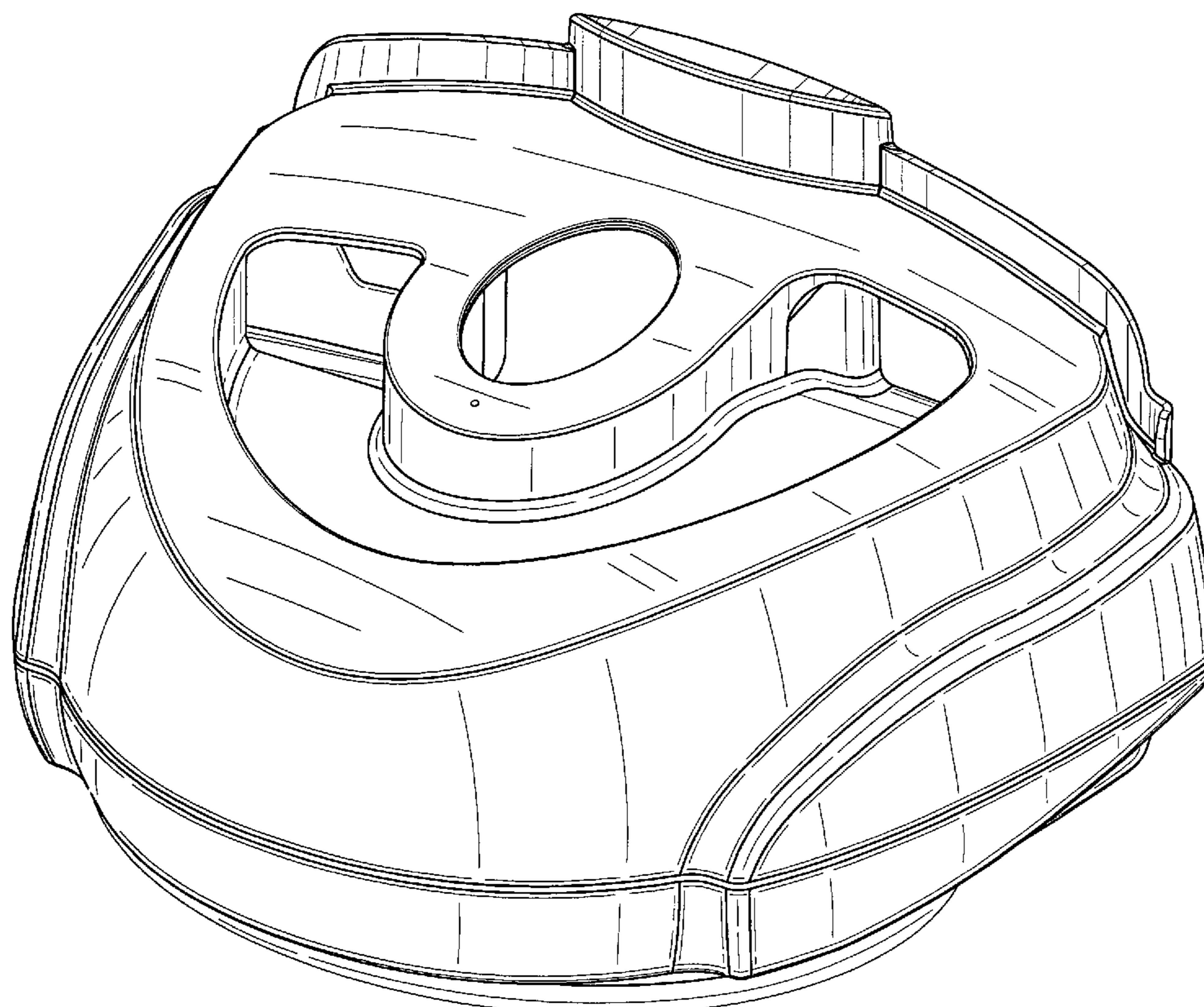
FIG. 3 is a rear view thereof;

FIG. 4 is a top view thereof;

FIG. 5 is a left side view thereof; and,

FIG. 6 is a right side view thereof.

1 Claim, 6 Drawing Sheets



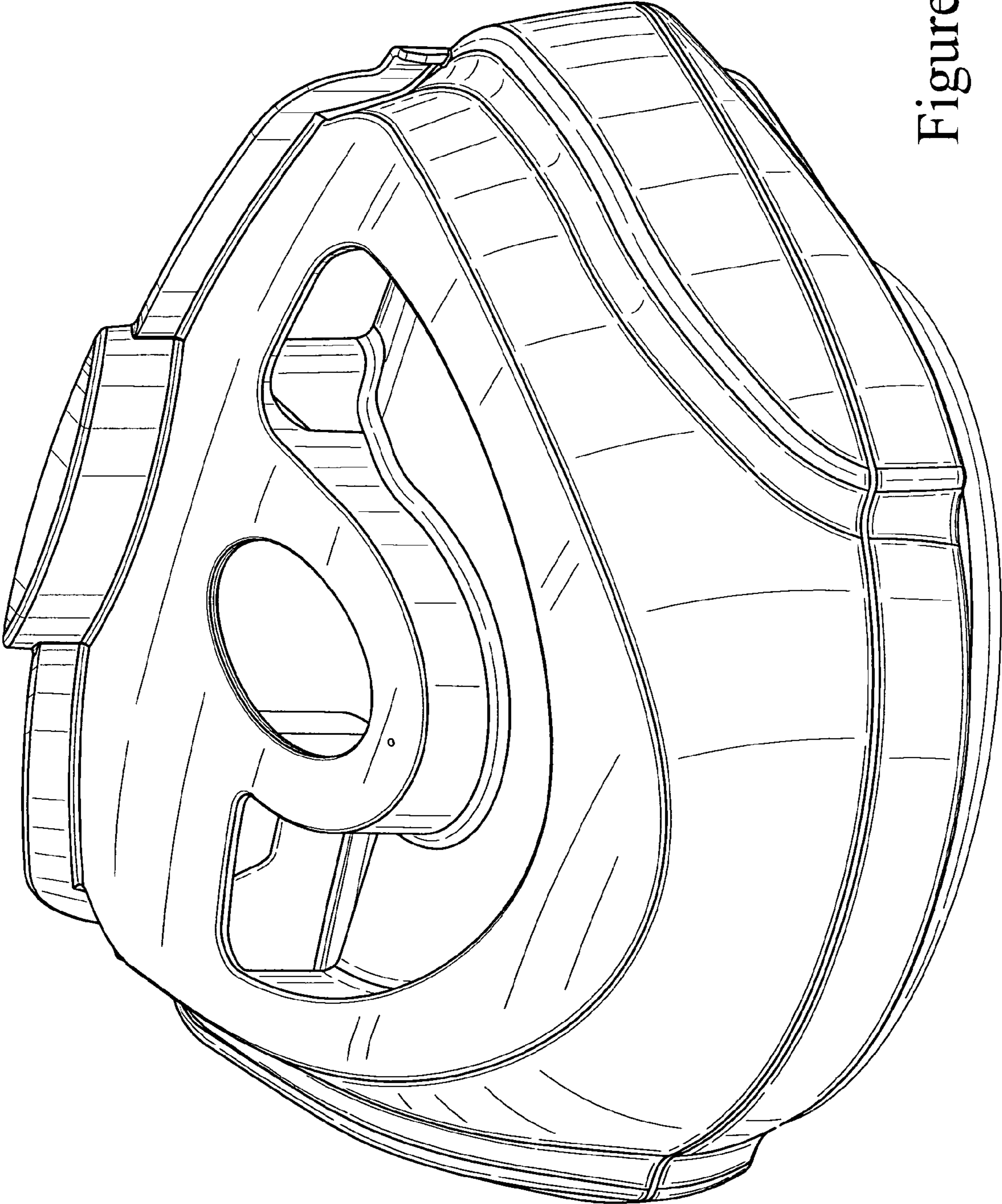


Figure 1

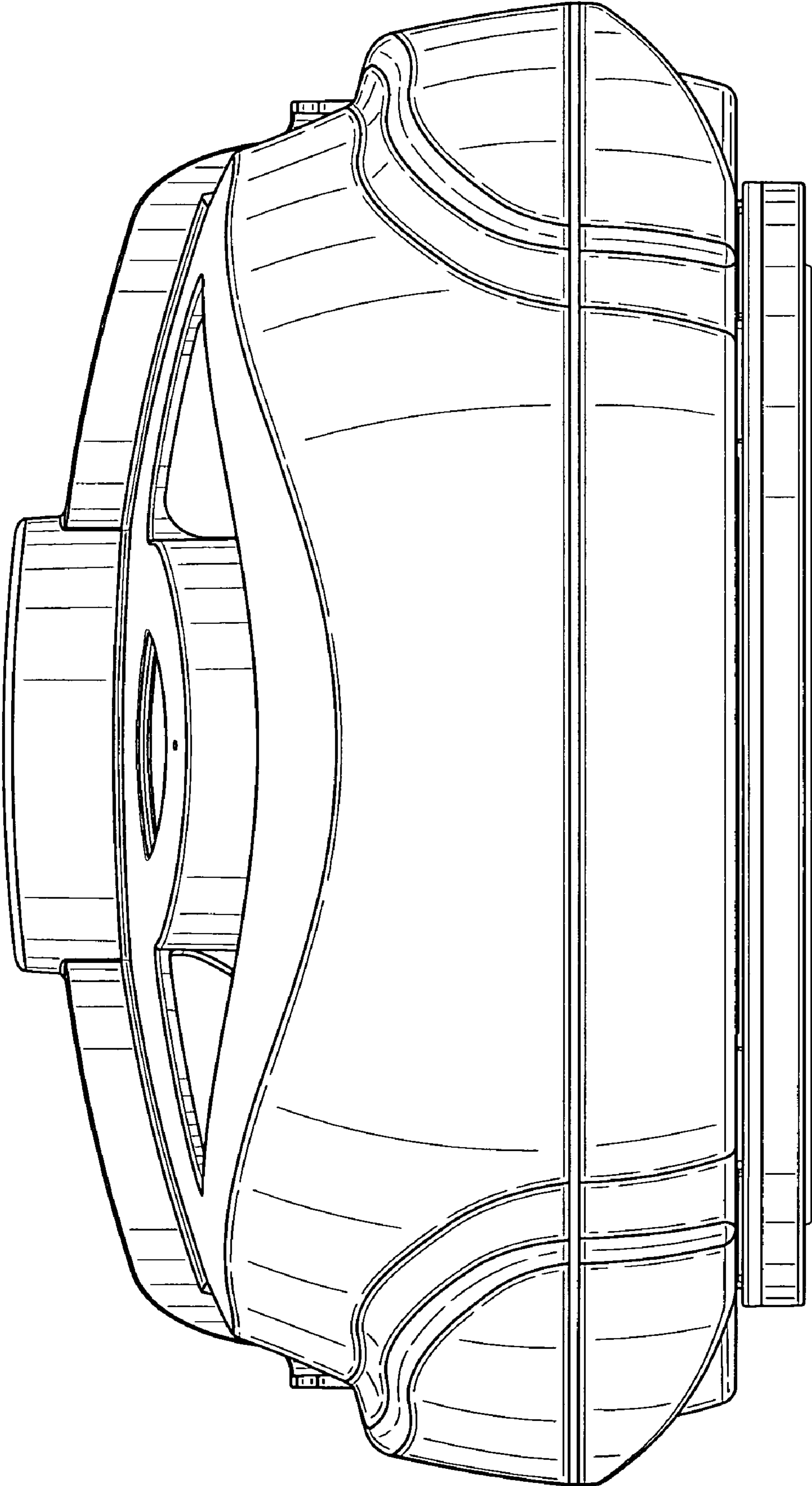


Figure 2

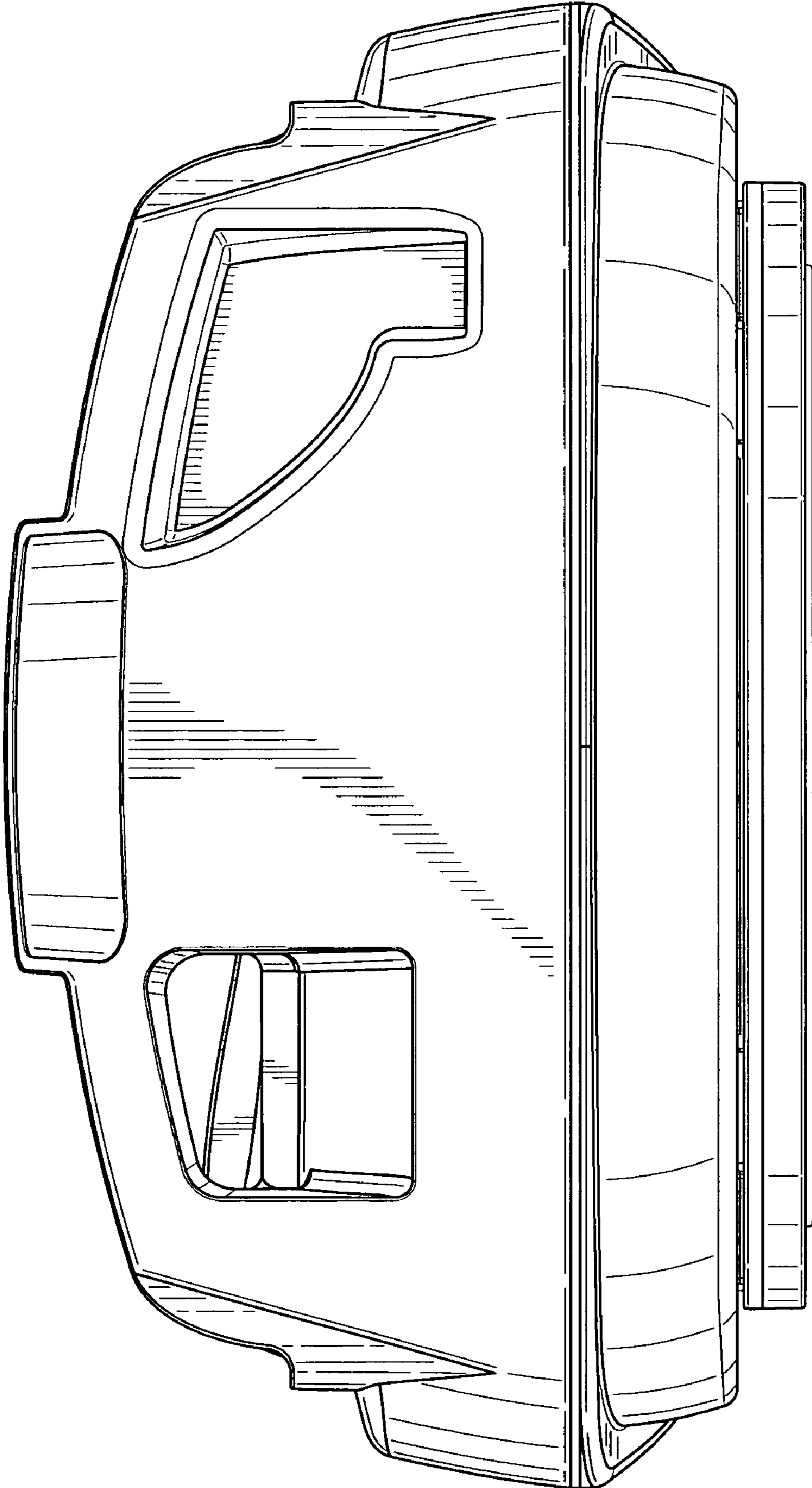


Figure 3

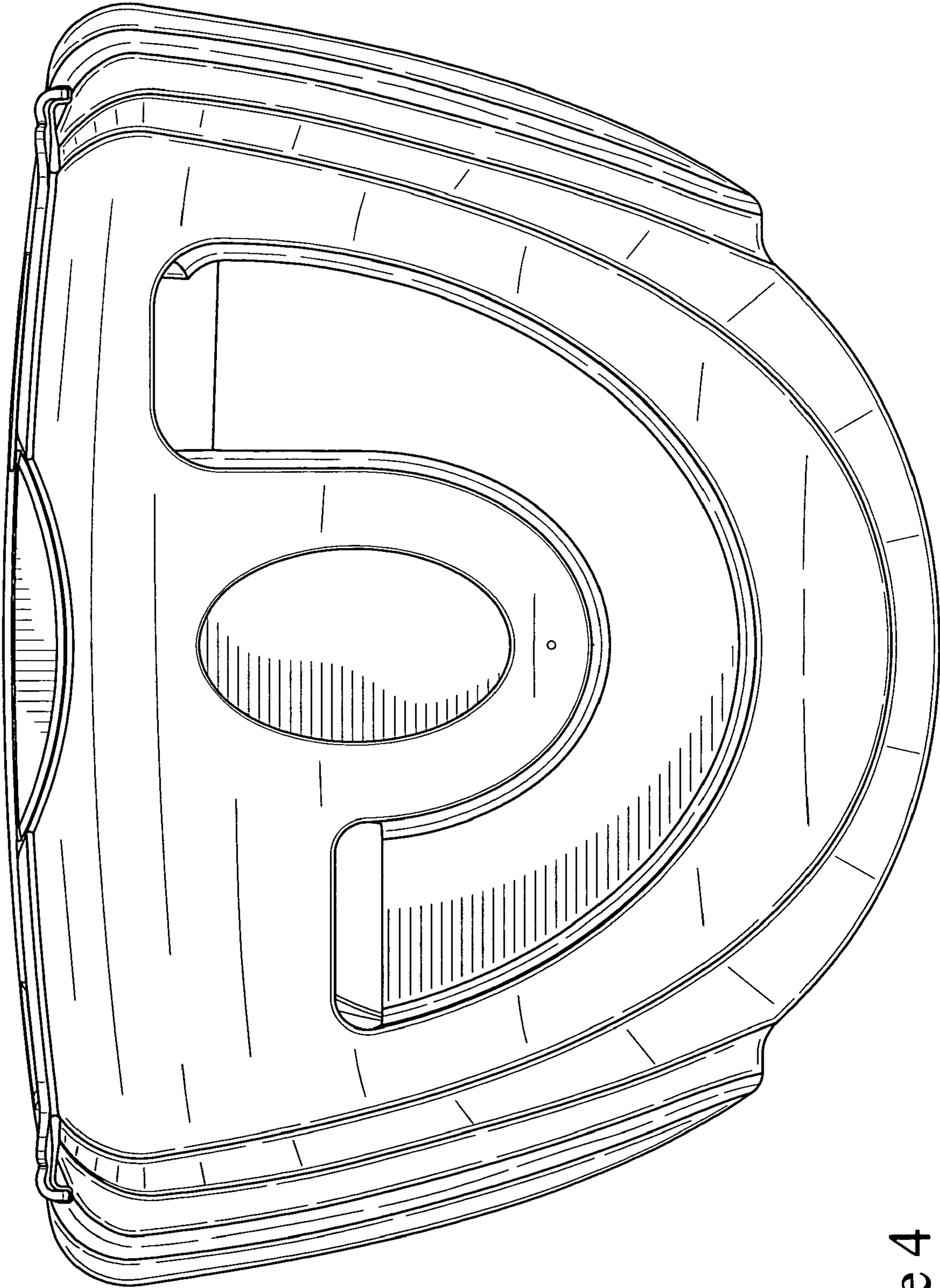


Figure 4

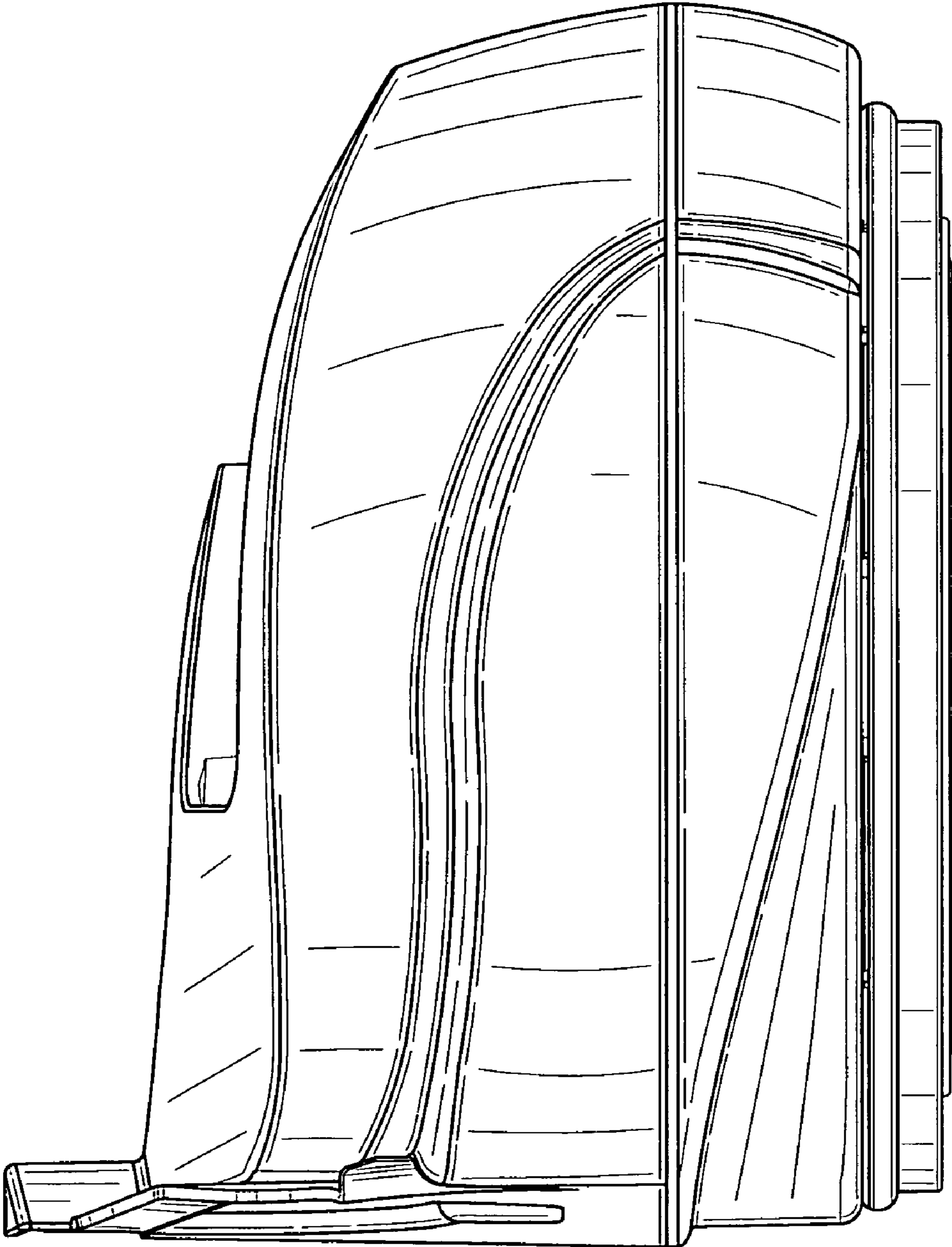


Figure 5

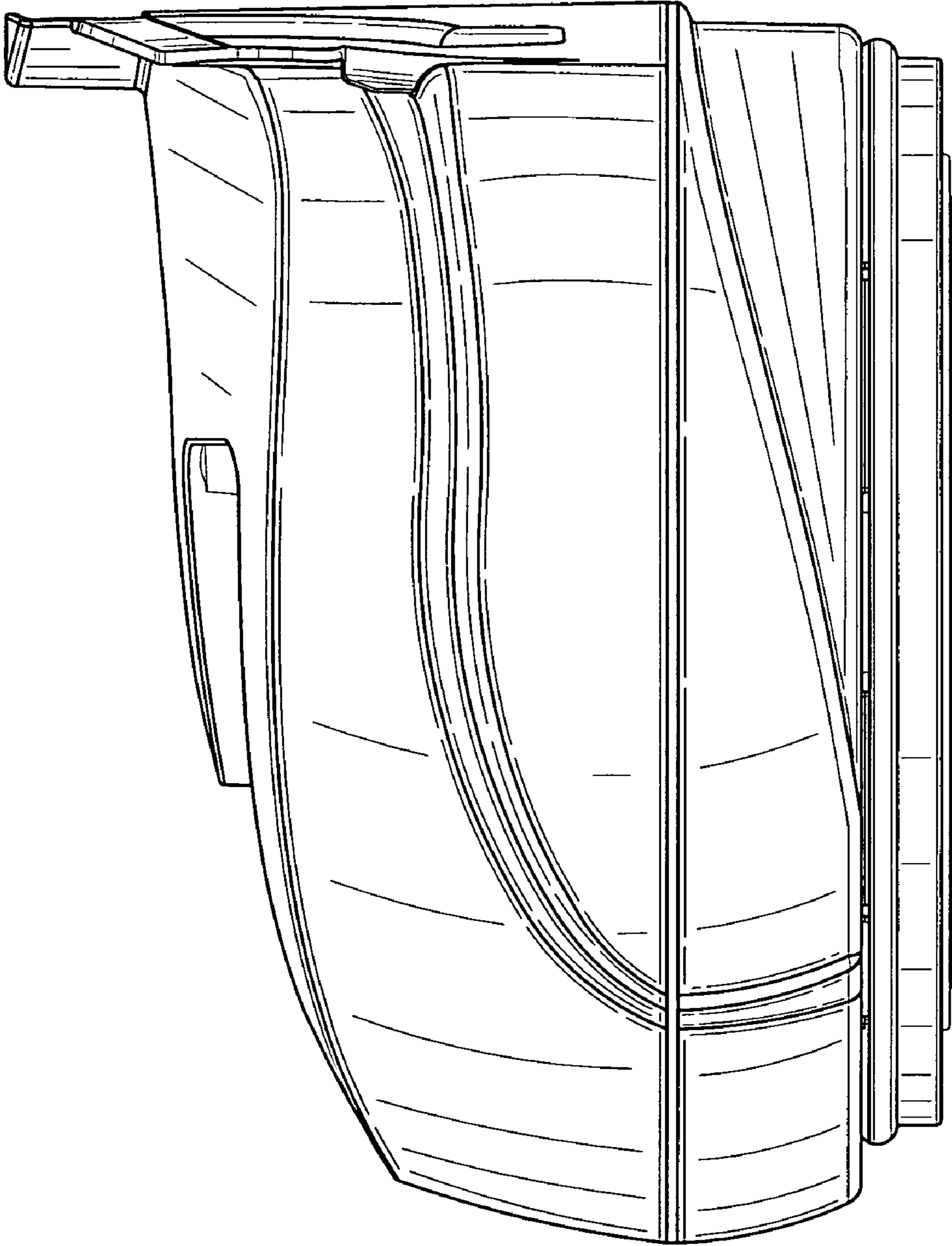


Figure 6