



US00D612479S

(12) **United States Design Patent**  
**Zawacki et al.**

(10) **Patent No.:** **US D612,479 S**  
(45) **Date of Patent:** **\*\* Mar. 23, 2010**

(54) **IMPLANTABLE PORT DEVICE**

(75) Inventors: **John A. Zawacki**, Shorewood, MN (US); **Annemarie Boswell**, Salt Lake City, UT (US)

(73) Assignee: **C. R. Bard, Inc.**, Murray Hill, NJ (US)

(\*\*) Term: **14 Years**

(21) Appl. No.: **29/284,456**

(22) Filed: **Sep. 7, 2007**

(51) **LOC (9) Cl.** ..... **24-01**

(52) **U.S. Cl.** ..... **D24/108**

(58) **Field of Classification Search** ..... D24/108,  
D24/111, 155; D13/167; 604/141, 175,  
604/288.01–288.04

See application file for complete search history.

(56) **References Cited**

**U.S. PATENT DOCUMENTS**

4,781,680	A	11/1988	Redmond et al.	.....	604/288.02
5,013,298	A	5/1991	Moden et al.	.....	604/288.02
5,045,060	A	9/1991	Melsky et al.	.....	604/288.02
D337,637	S	7/1993	Tucker	.....	D24/111
5,484,402	A	1/1996	Savavia et al.	.....	604/35
5,558,641	A	9/1996	Glantz et al.	.....	604/288.02
5,743,873	A	4/1998	Cai et al.	.....	604/288.02
6,090,066	A	7/2000	Schnell	.....	604/86
6,113,572	A	9/2000	Gailey et al.	.....	604/93.01
D445,175	S	7/2001	Bertheas	.....	D24/108
6,478,783	B1	11/2002	Moorehead	.....	604/288.02
6,527,754	B1	3/2003	Tallarida et al.	.....	604/288.04
6,878,137	B2	4/2005	Benchetrit	.....	604/288.02
D546,440	S	7/2007	Burnside	.....	D24/108
7,252,649	B2	8/2007	Sherry	.....	604/93.01
D556,153	S	11/2007	Burnside	.....	D13/167
D562,443	S	2/2008	Zinn et al.	.....	
D574,950	S *	8/2008	Zawacki et al.	.....	D24/108

(Continued)

**OTHER PUBLICATIONS**

U.S. Appl. No. 29/284,454, filed Sep. 7, 2007, titled Implantable Port Device, listing John A. Zawacki and Annemarie Boswell as inventors, in which a Continued Prosecution Application is being filed on Jan. 30, 2008.

(Continued)

*Primary Examiner*—Ian Simmons

*Assistant Examiner*—Wan Laymon

(74) *Attorney, Agent, or Firm*—Rutan & Tucker, LLP

(57) **CLAIM**

The ornamental design for an implantable port device, substantially as shown and described.

**DESCRIPTION**

This application is related to U.S. Design application No. 29/284,454, filed Sep. 7, 2007, the disclosure of which is incorporated, in its entirety, by this reference.

FIG. 1 is a perspective view, which is lined for color, of an implantable port device;

FIG. 2 is a top view, which is lined for color, of the implantable port device of FIG. 1;

FIG. 3 is a bottom view, which is lined for color, of the implantable port device of FIG. 1;

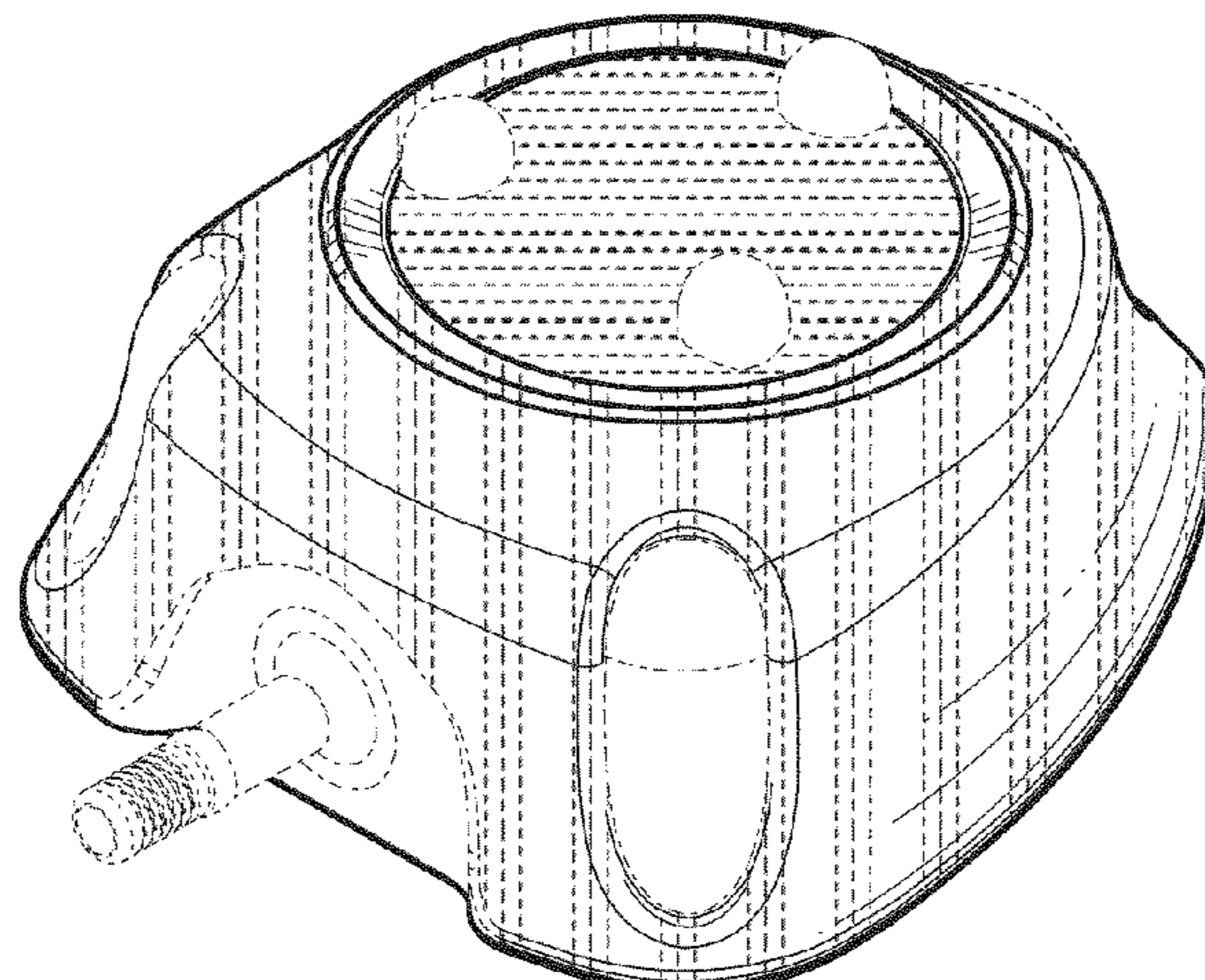
FIG. 4 is a side view, which is lined for color, of the implantable port device of FIG. 1;

FIG. 5 is another side view, which is lined for color, of the implantable port device of FIG. 1; and,

FIG. 6 is another side view, which is lined for color, of the implantable port device of FIG. 1.

The broken line showing portions of an implantable port device is included for illustrating environmental structure and forms no part of the claimed design.

**1 Claim, 2 Drawing Sheets**



# US D612,479 S

Page 2

---

## U.S. PATENT DOCUMENTS

2005/0283119 A1 12/2005 Uth et al. .... 604/175  
2006/0100592 A1\* 5/2006 Eliassen ..... 604/288.02  
2006/0116648 A1 6/2006 Hamatake ..... 604/288.02  
2006/0247584 A1 11/2006 Sheetz et al. .... 604/288.02  
2007/0049876 A1 3/2007 Patton ..... 604/288.01  
2007/0073250 A1 3/2007 Schneiter ..... 604/288.01  
2007/0078391 A1 4/2007 Wortley et al. .... 604/116  
2007/0078416 A1 4/2007 Eliassen ..... 604/288.02  
2007/0083156 A1 4/2007 Muto et al. .... 604/93.01  
2007/0185462 A1 8/2007 Byrum ..... 604/288.02

2007/0233017 A1\* 10/2007 Zinn et al. .... 604/288.01  
2007/0233018 A1 10/2007 Bizup et al. .... 604/288.01  
2008/0140025 A1\* 6/2008 Sheetz et al. .... 604/288.02  
2008/0319398 A1\* 12/2008 Bizup ..... 604/175  
2009/0204072 A1\* 8/2009 Amin et al. .... 604/288.02  
2009/0221976 A1\* 9/2009 Linden ..... 604/288.01

## OTHER PUBLICATIONS

Notice of Allowance issued in U.S. Appl. No. 29/284,454, filed Jan. 3, 2008.

\* cited by examiner

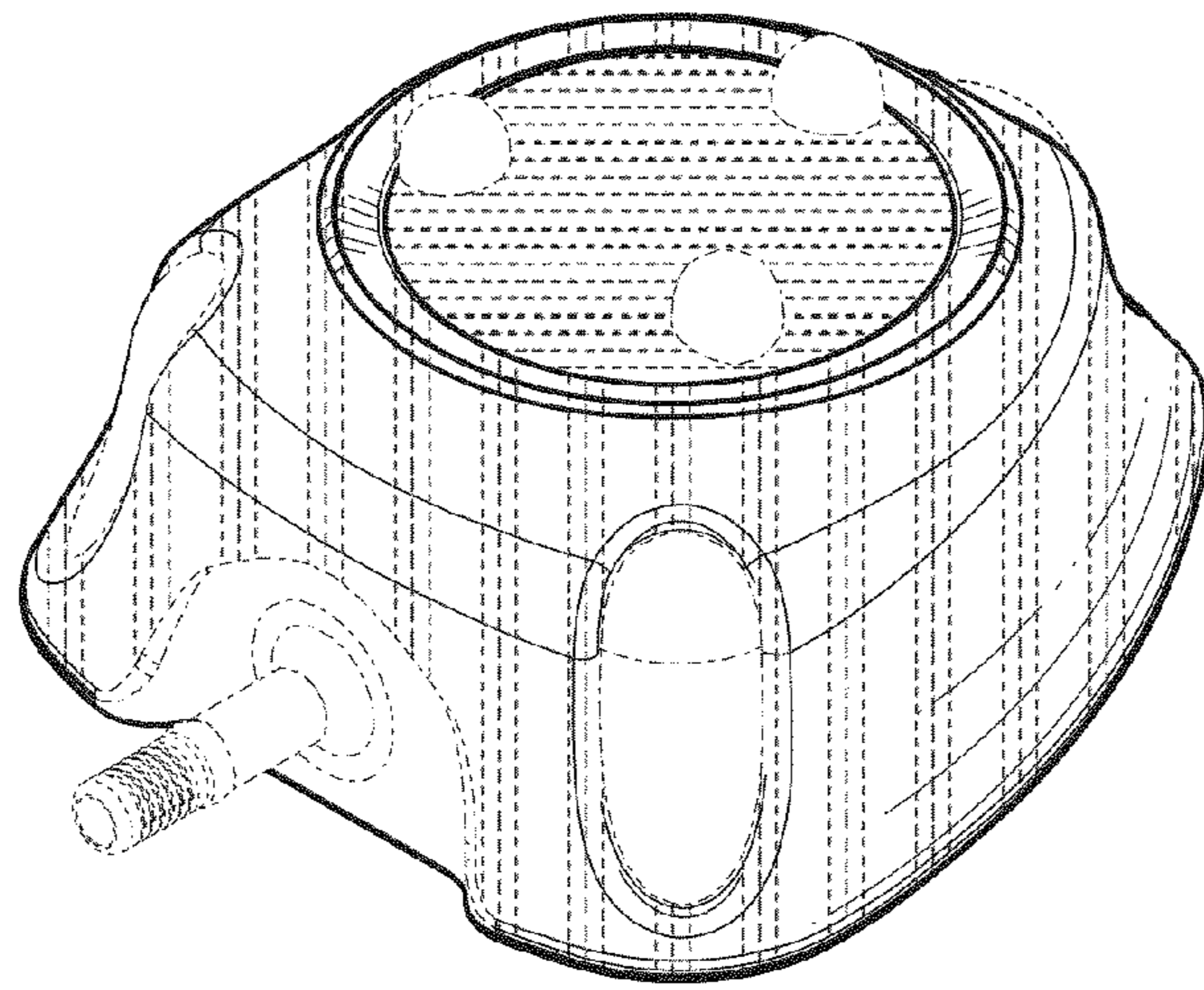


FIG. 1

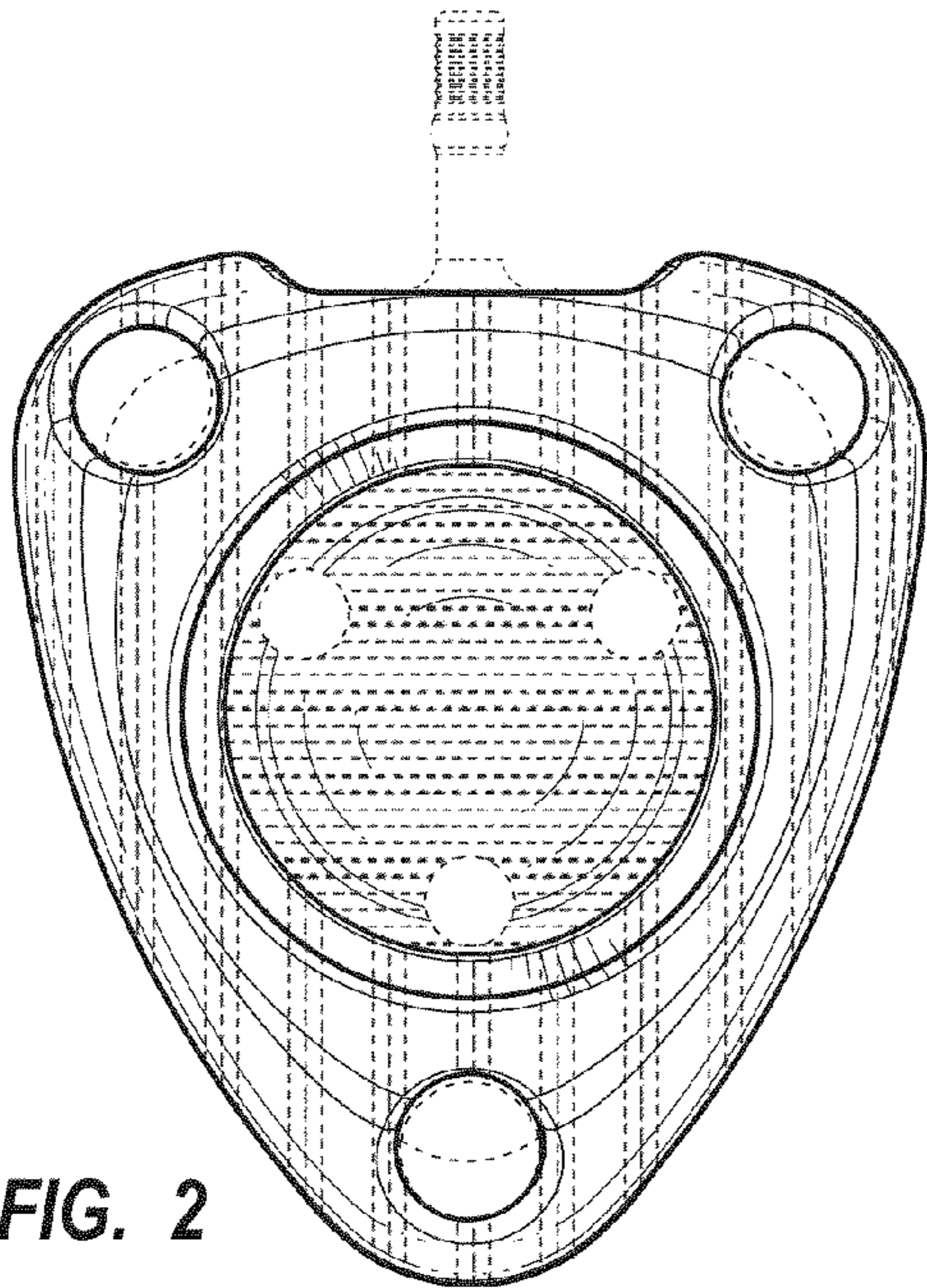


FIG. 2

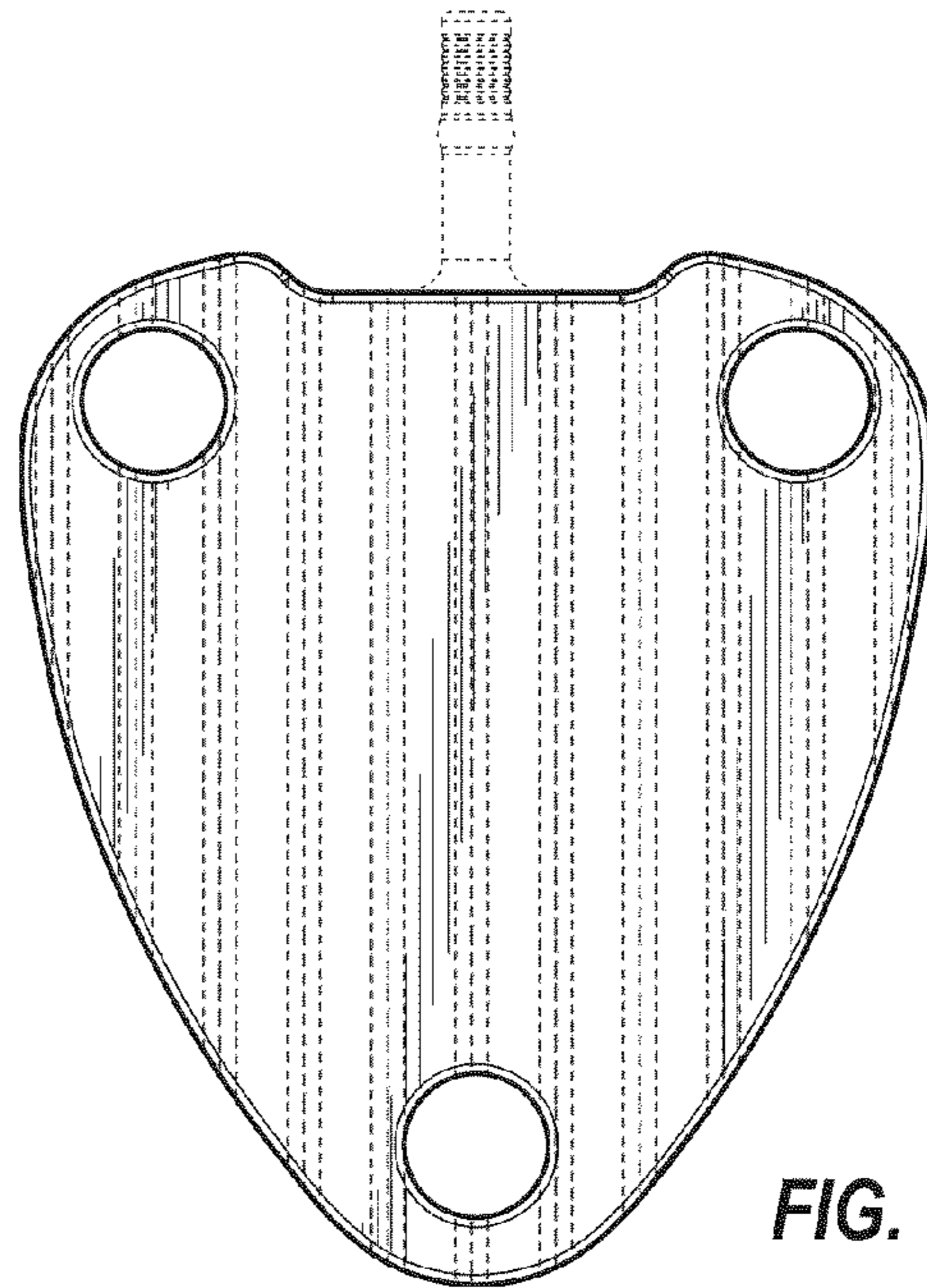


FIG. 3

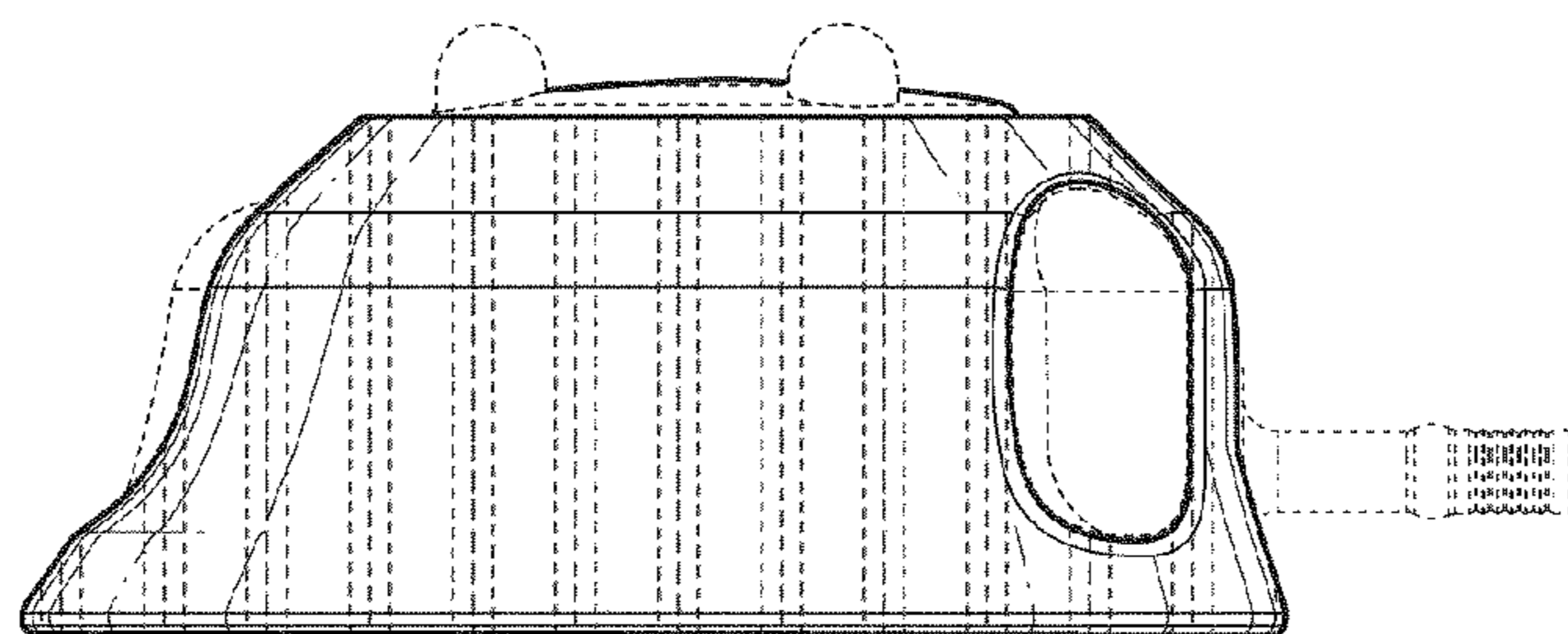
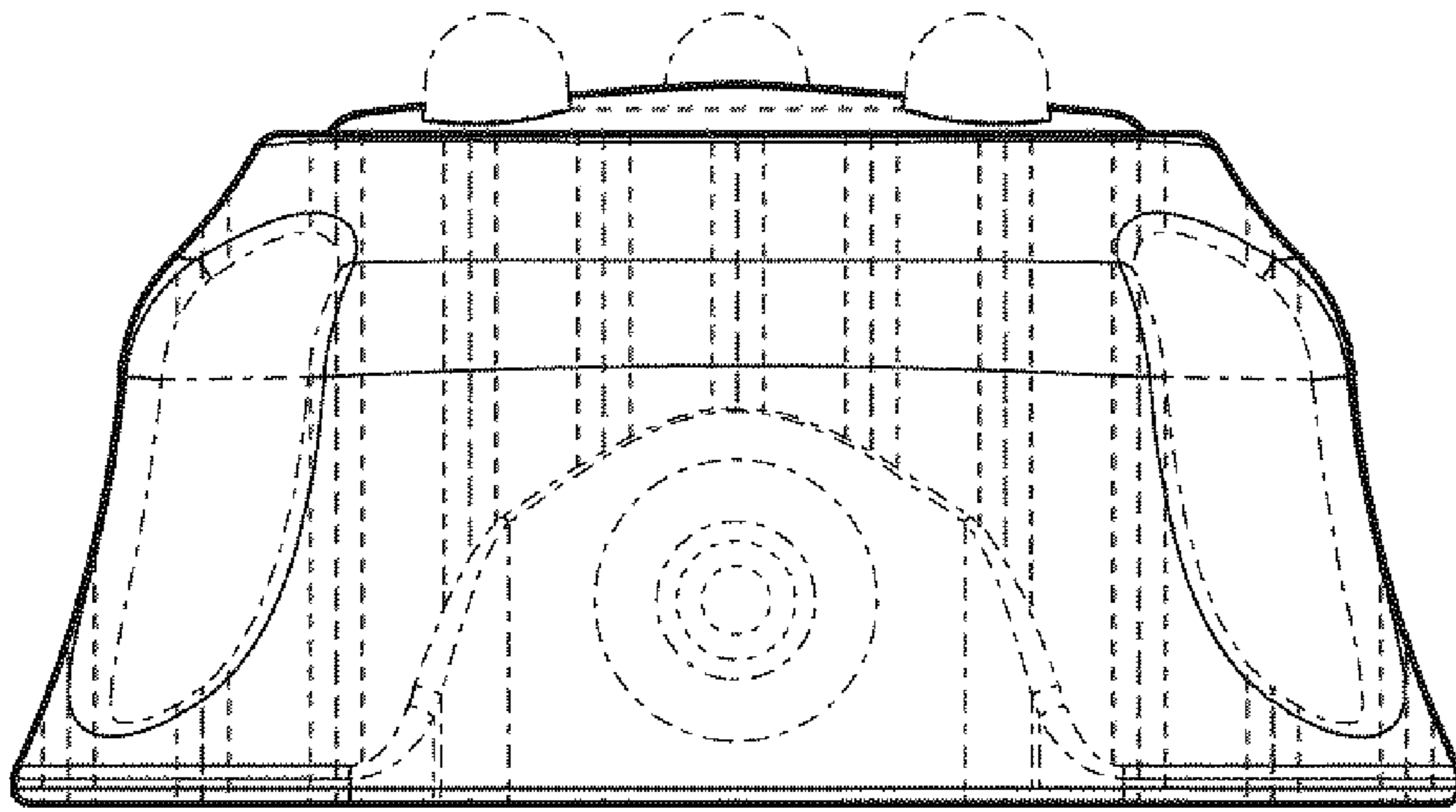
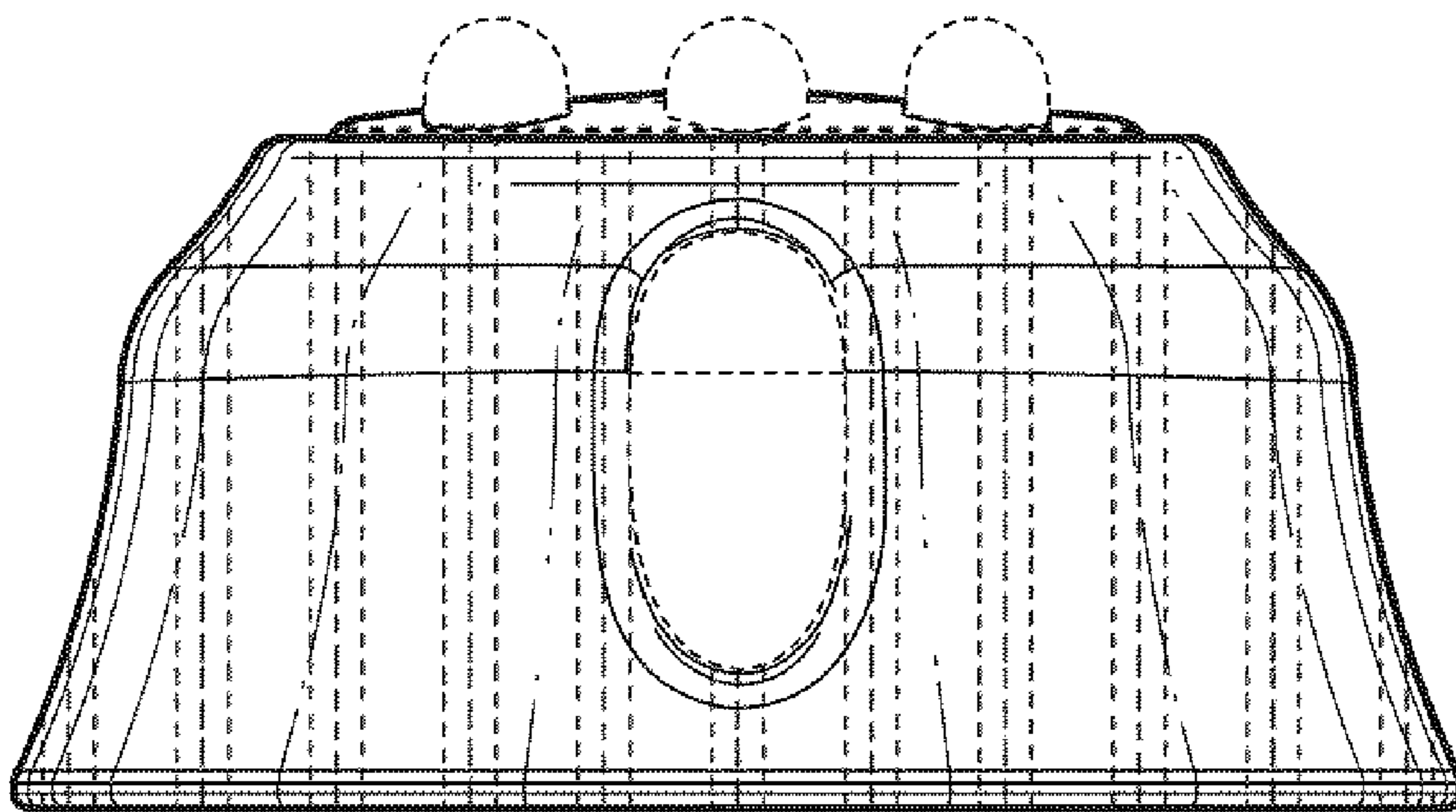


FIG. 4



**FIG. 5**



**FIG. 6**