



US00D612478S

(12) **United States Design Patent**
Karolak et al.

(10) **Patent No.:** **US D612,478 S**
(45) **Date of Patent:** **** Mar. 23, 2010**

- (54) **PHARMACEUTICAL TABLET**
- (75) Inventors: **Wlodek Karolak**, Mississauga (CA);
Helen Anne Willy, Harlow (GB)
- (73) Assignee: **Glaxo Group Limited**, Greenford (GB)
- (**) Term: **14 Years**
- (21) Appl. No.: **29/309,537**
- (22) Filed: **Aug. 28, 2008**

D283,649 S	4/1986	Casberg	
4,601,896 A	7/1986	Nugent	
D285,363 S	8/1986	Tovey	
D286,085 S	10/1986	Tovey	
4,643,731 A	2/1987	Eckenhoff	
4,735,805 A	4/1988	Ni et al.	
4,883,182 A	11/1989	Hughes	
D376,643 S	12/1996	Hatton et al.	
D420,464 S	2/2000	Binstock et al.	
D506,545 S *	6/2005	McAllister et al. D24/104
D520,635 S	5/2006	Bonny et al.	
D530,814 S	10/2006	Bonny et al.	
D535,741 S	1/2007	Stawski et al.	
7,214,396 B2 *	5/2007	Rivier 426/72
D556,946 S	12/2007	Seum et al.	
D561,992 S *	2/2008	Linsley D3/271.1
D564,086 S	3/2008	Nielsen et al.	
D576,776 S *	9/2008	Klacik et al. D1/127

Related U.S. Application Data

- (62) Division of application No. 29/268,559, filed on Nov. 9, 2006.

Foreign Application Priority Data

- (30) May 12, 2006 (GB) 3024830

- (51) **LOC (9) Cl.** **28-01**
- (52) **U.S. Cl.** **D24/101**
- (58) **Field of Classification Search** D24/100-104;
D28/4, 8.1, 8.2; 424/464-482, 453, 438,
424/732, 451; D1/100, 121, 125-128, 112,
D1/108; D21/440; 426/78

See application file for complete search history.

(56) **References Cited**

U.S. PATENT DOCUMENTS

1,419,618 A	6/1922	Deming
1,580,576 A	4/1926	Edmund
2,102,885 A	12/1937	Carroll
2,340,037 A	1/1944	Irving
3,048,526 A	8/1962	Boswell
3,620,759 A	11/1971	Maddox
3,702,653 A	11/1972	Motten
D235,215 S	5/1975	Larson
D258,091 S	1/1981	Reed et al.
4,376,111 A	3/1983	Tovey
D269,718 S	7/1983	Tovey
D269,721 S	7/1983	Tovey
D269,722 S	7/1983	Tovey
D274,846 S	7/1984	Eoga

OTHER PUBLICATIONS

Karolak et al., U.S. Appl. No. 29/268,559, filed Nov. 9, 2006.

* cited by examiner

Primary Examiner—Charles A Rademaker

Assistant Examiner—Charles D Hanson

(74) *Attorney, Agent, or Firm*—Nixon & Vanderhye P.C.

(57) **CLAIM**

The ornamental design for a pharmaceutical tablet, as shown and described.

DESCRIPTION

The file of this patent contains at least one drawing executed in color. Copies of this patent with color drawings will be provided by the Office upon request and payment of the necessary fee.

FIG. 1 is a front perspective view of a pharmaceutical tablet showing our new design;

FIG. 2 is a top view thereof;

FIG. 3 is a right side view thereof, with the left side view thereof being identical thereto;

FIG. 4 is a bottom view thereof;

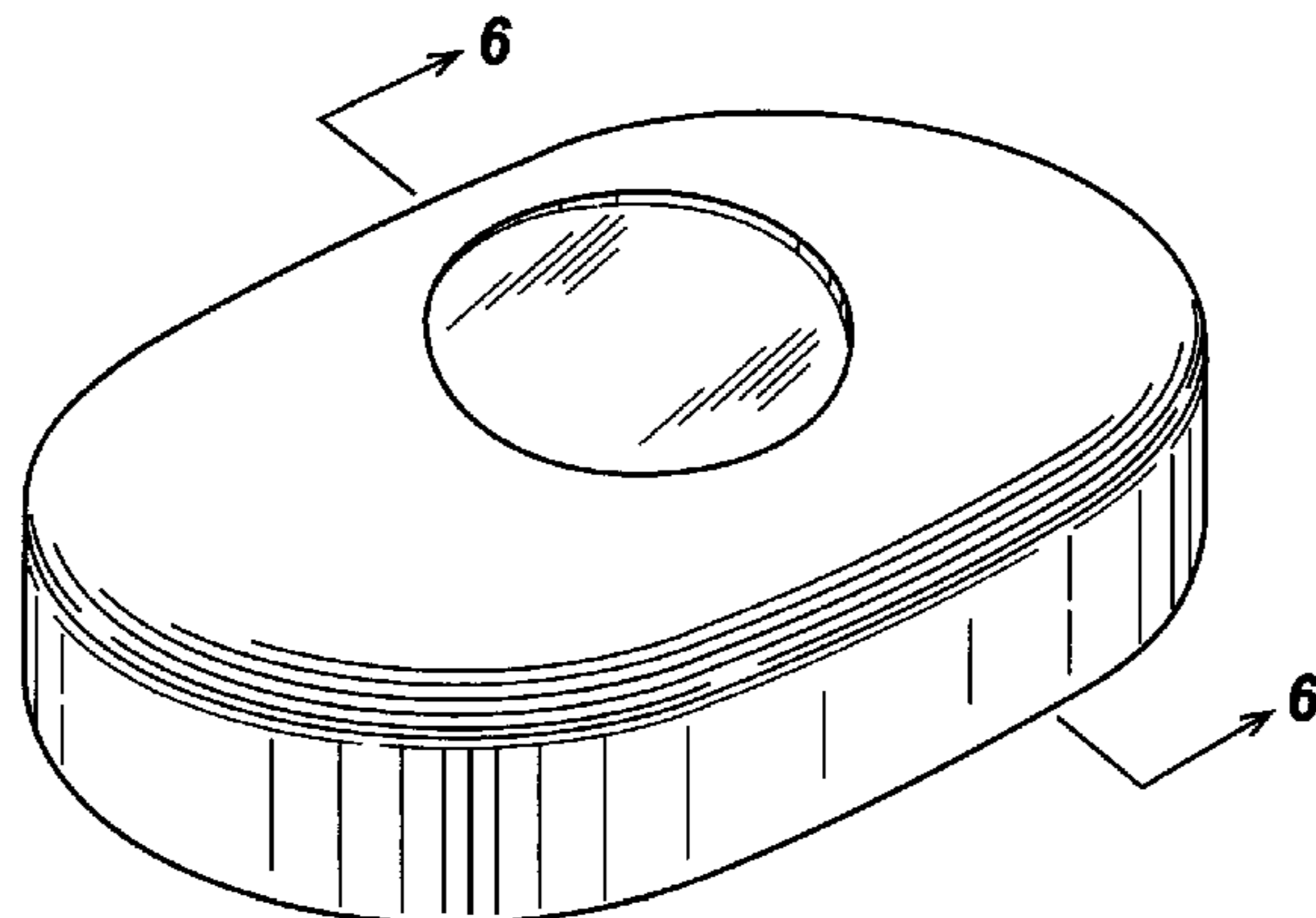


FIG. 5 is a front view thereof, with the rear view thereof being identical thereto;

FIG. 6 is a cross-sectional view through section 6—6 of FIG. 1;

FIG. 7 is a front perspective view of an alternate embodiment of the design of FIG. 1;

FIG. 8 is a top view thereof;

FIG. 9 is a right side view thereof, with the left side view thereof being identical thereto;

FIG. 10 is a bottom view thereof;

FIG. 11 is a front view thereof, with the rear view thereof being identical thereto;

FIG. 12 is a cross-sectional view through section 12—12 of FIG. 7;

FIG. 13 is a front perspective view of an alternate embodiment of the design of FIG. 1;

FIG. 14 is a top view thereof;

FIG. 15 is a right side view thereof, with the left side view thereof being identical thereto;

FIG. 16 is a bottom view thereof;

FIG. 17 is a front view thereof, with the rear view thereof being identical thereto;

FIG. 18 is a cross-sectional view through section 18—18 of FIG. 13;

FIG. 19 is a front perspective view of an alternate embodiment of the design of FIG. 1;

FIG. 20 is a top view thereof;

FIG. 21 is a right side view thereof, with the left side view thereof being identical thereto;

FIG. 22 is a bottom view thereof;

FIG. 23 is a front view thereof, with the rear view thereof being identical thereto; and,

FIG. 24 is a cross-sectional view through section 24—24 of FIG. 19.

The grayscale shading in FIGS. 19–24 depict a color contrast, and is not indicative of any specific color.

**1 Claim, 8 Drawing Sheets
(2 of 8 Drawing Sheet(s) Filed in Color)**

FIG. 1

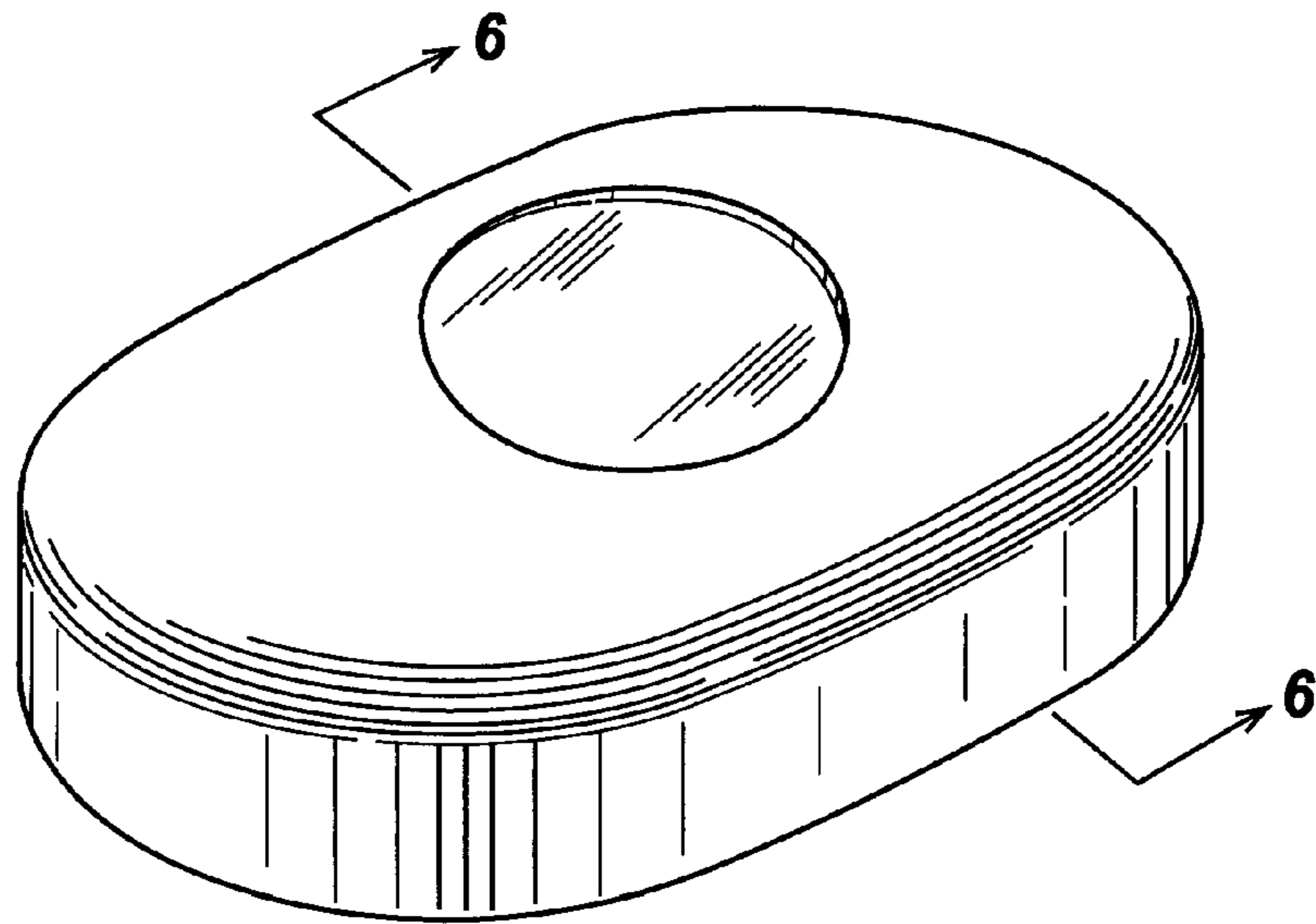


FIG. 2

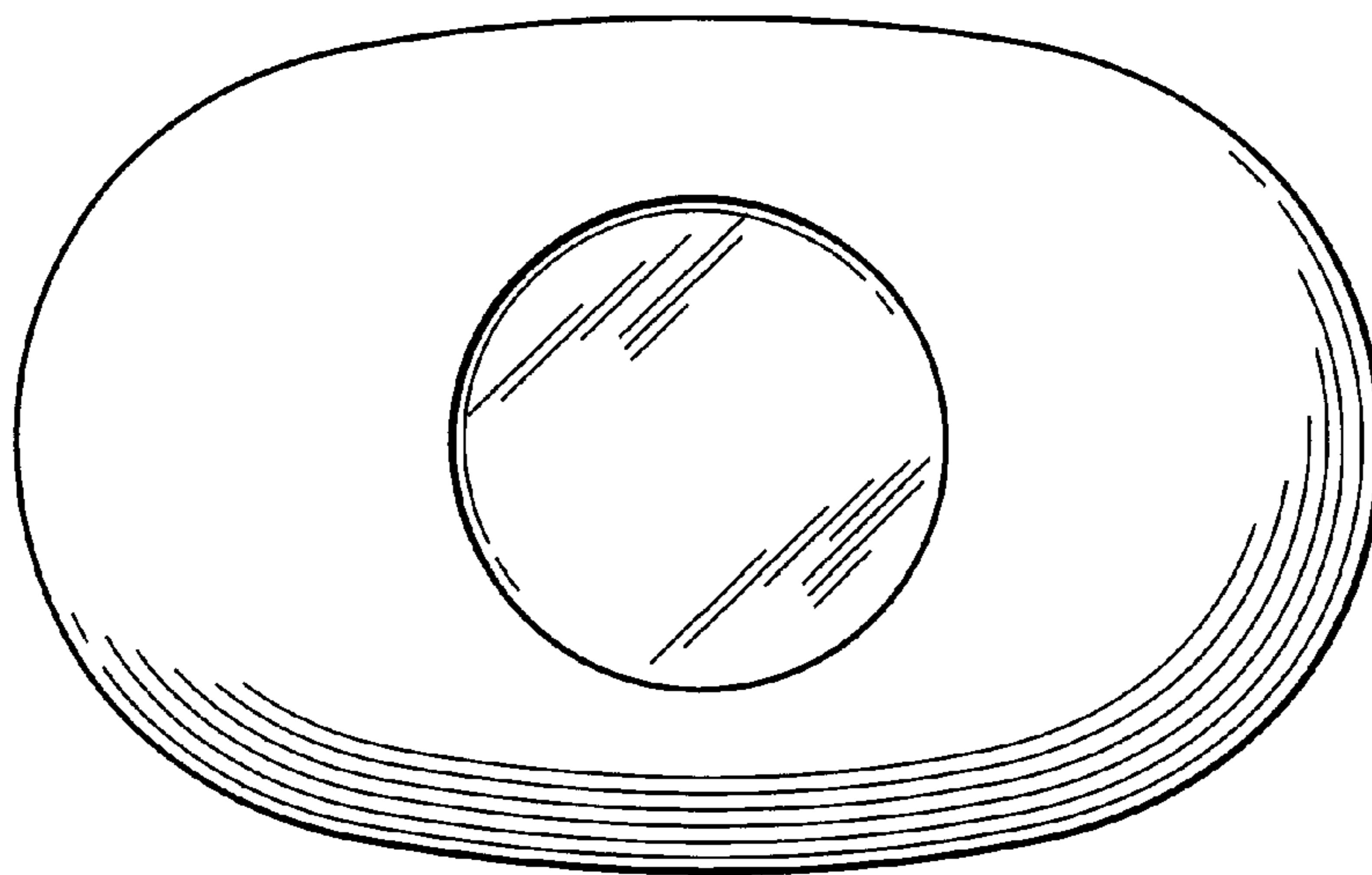


FIG. 3

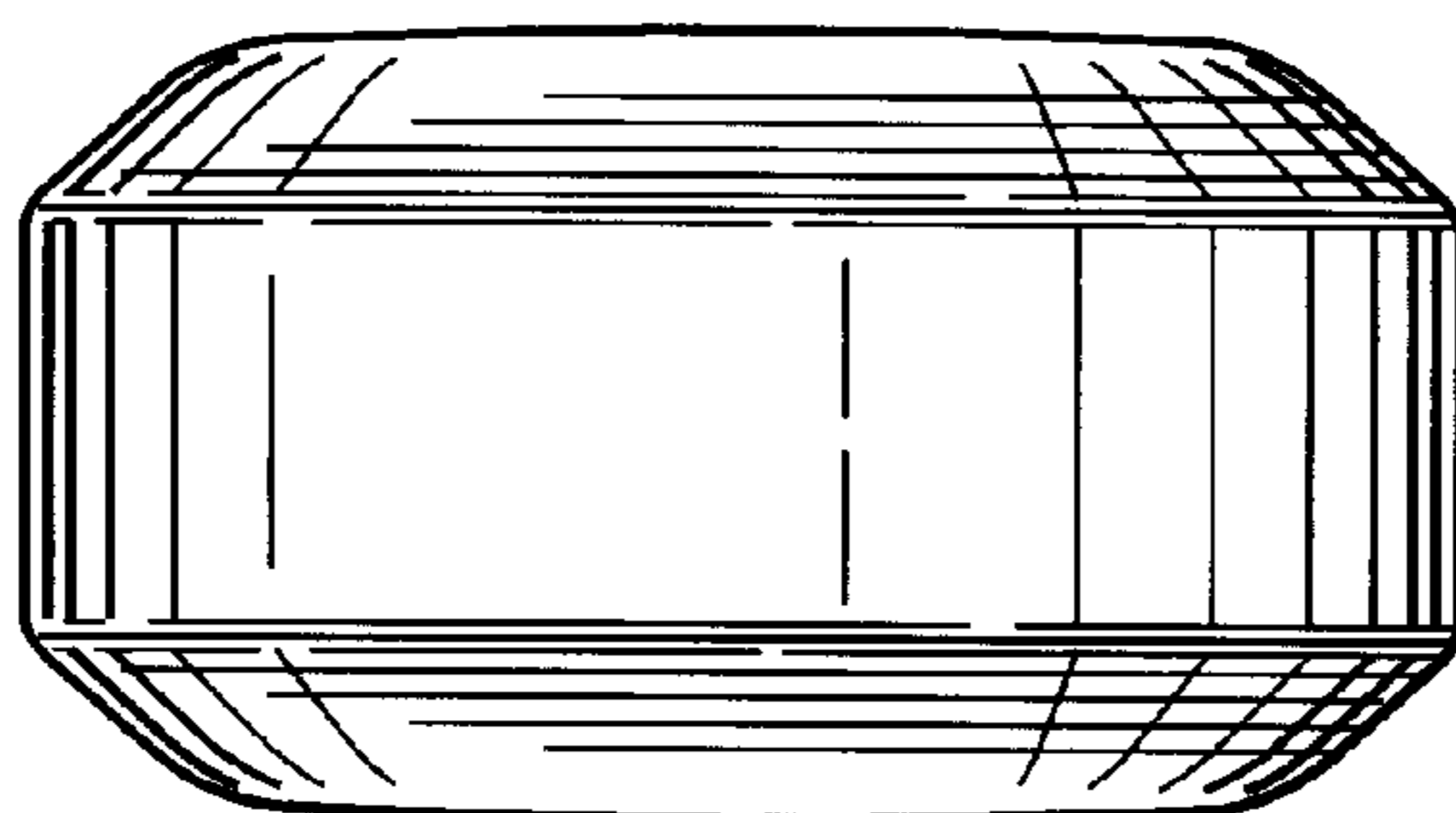


FIG. 4

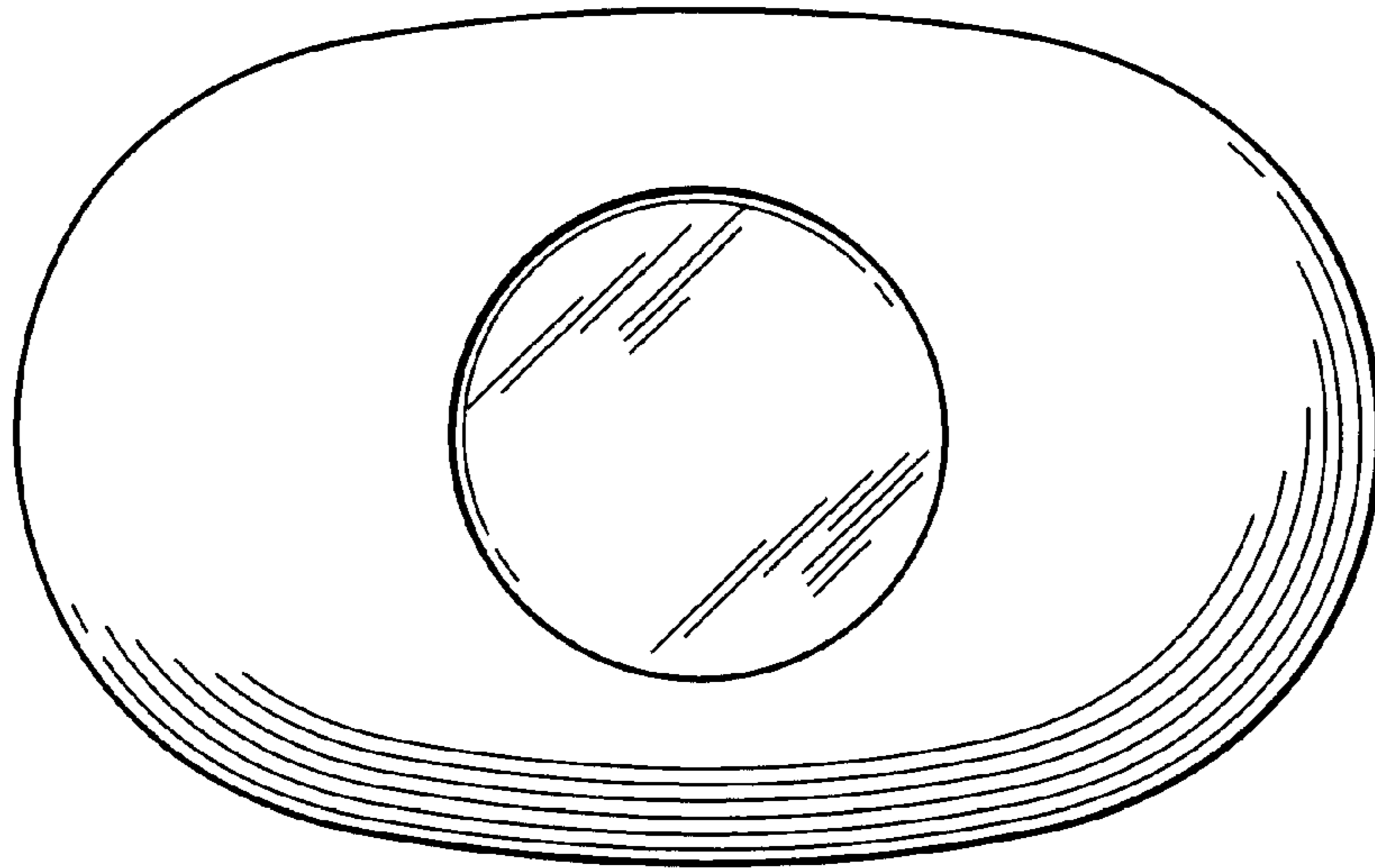


FIG. 5

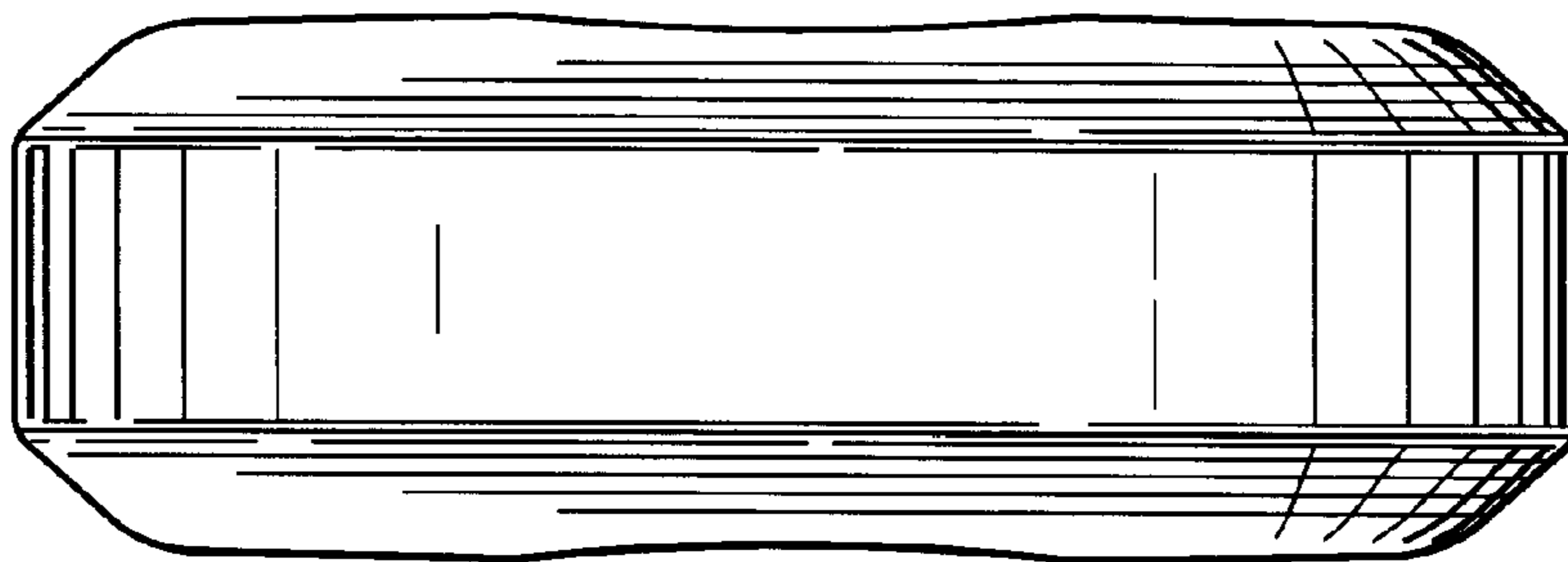


FIG. 6

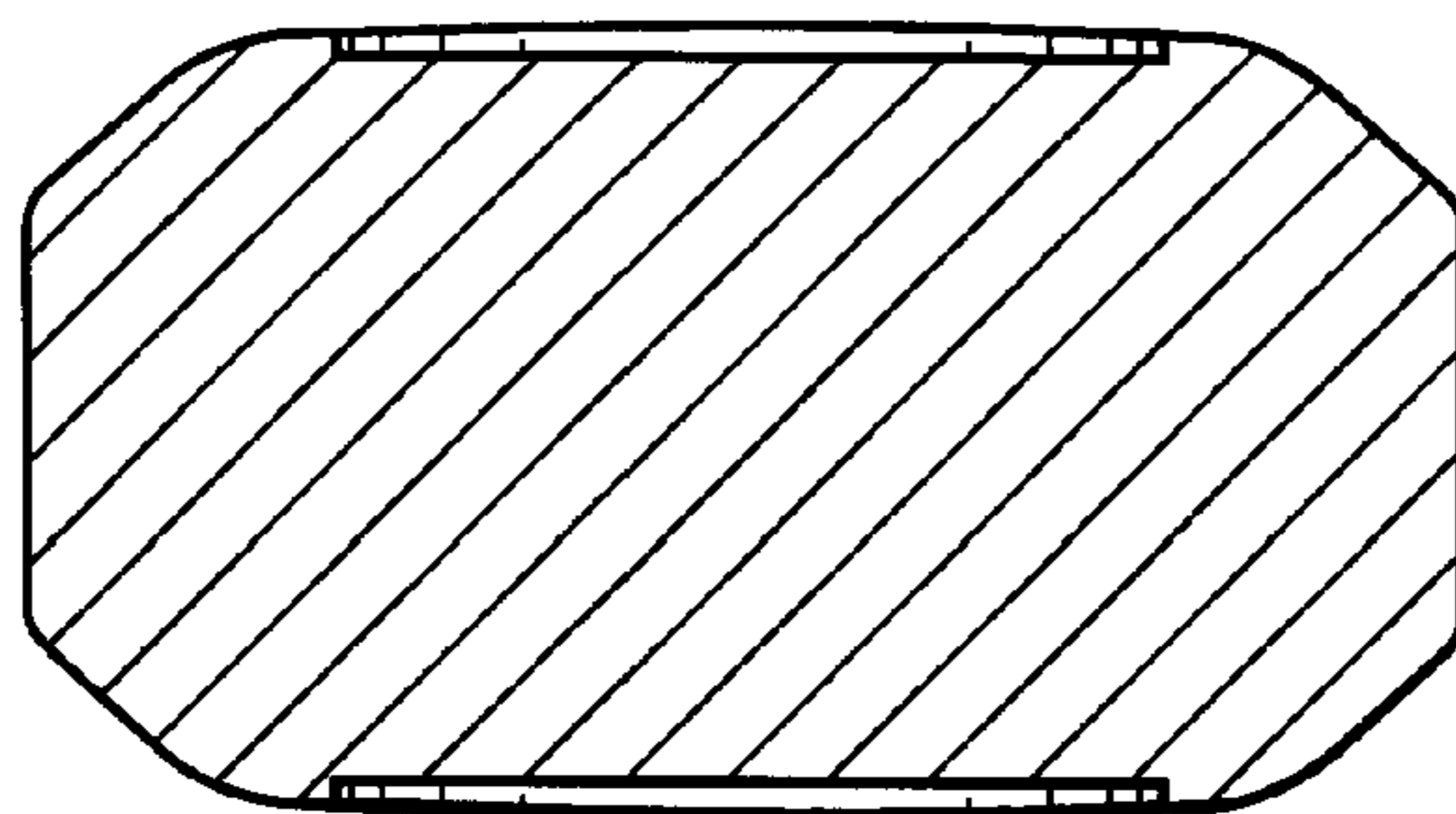


FIG. 7

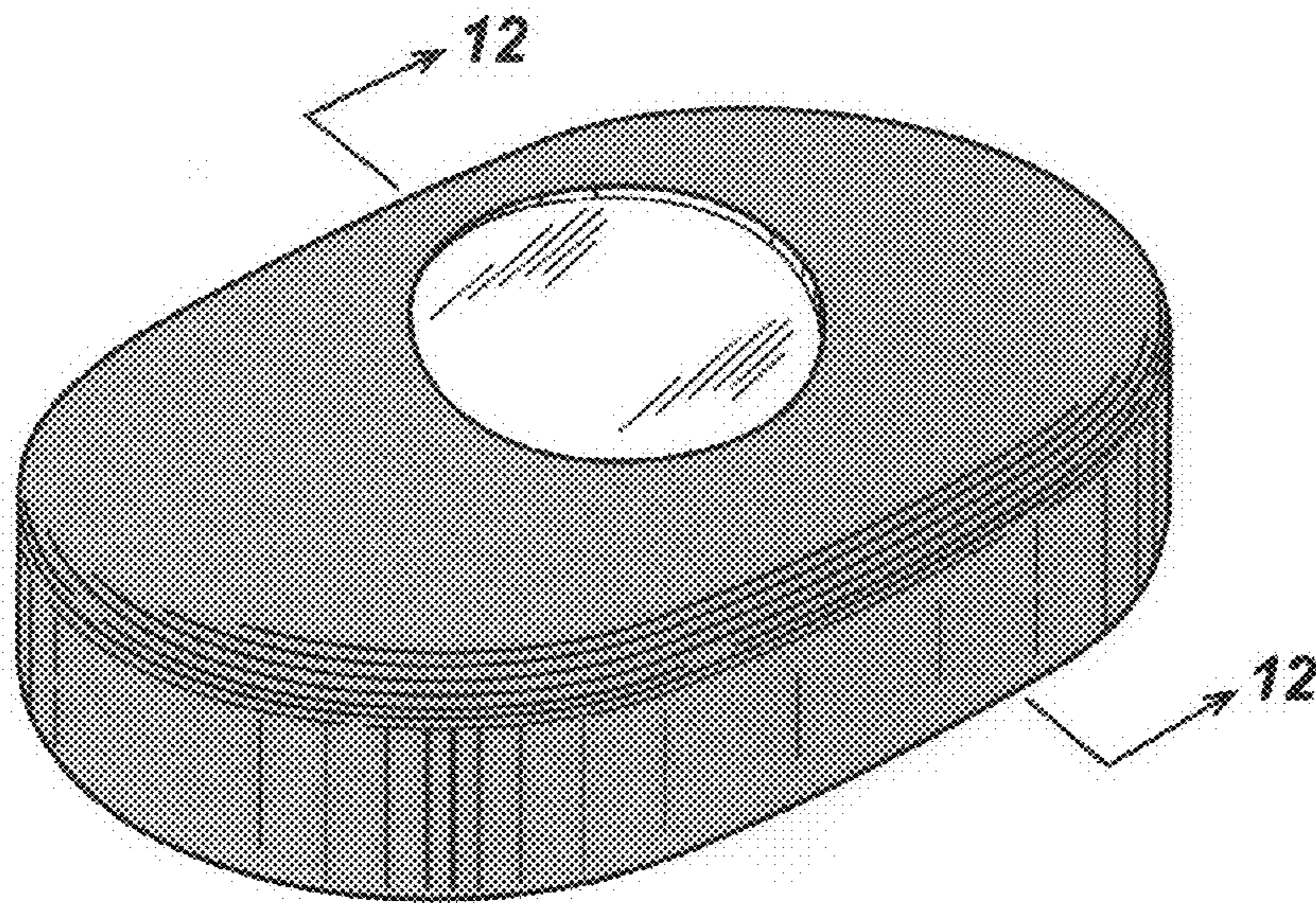


FIG. 8

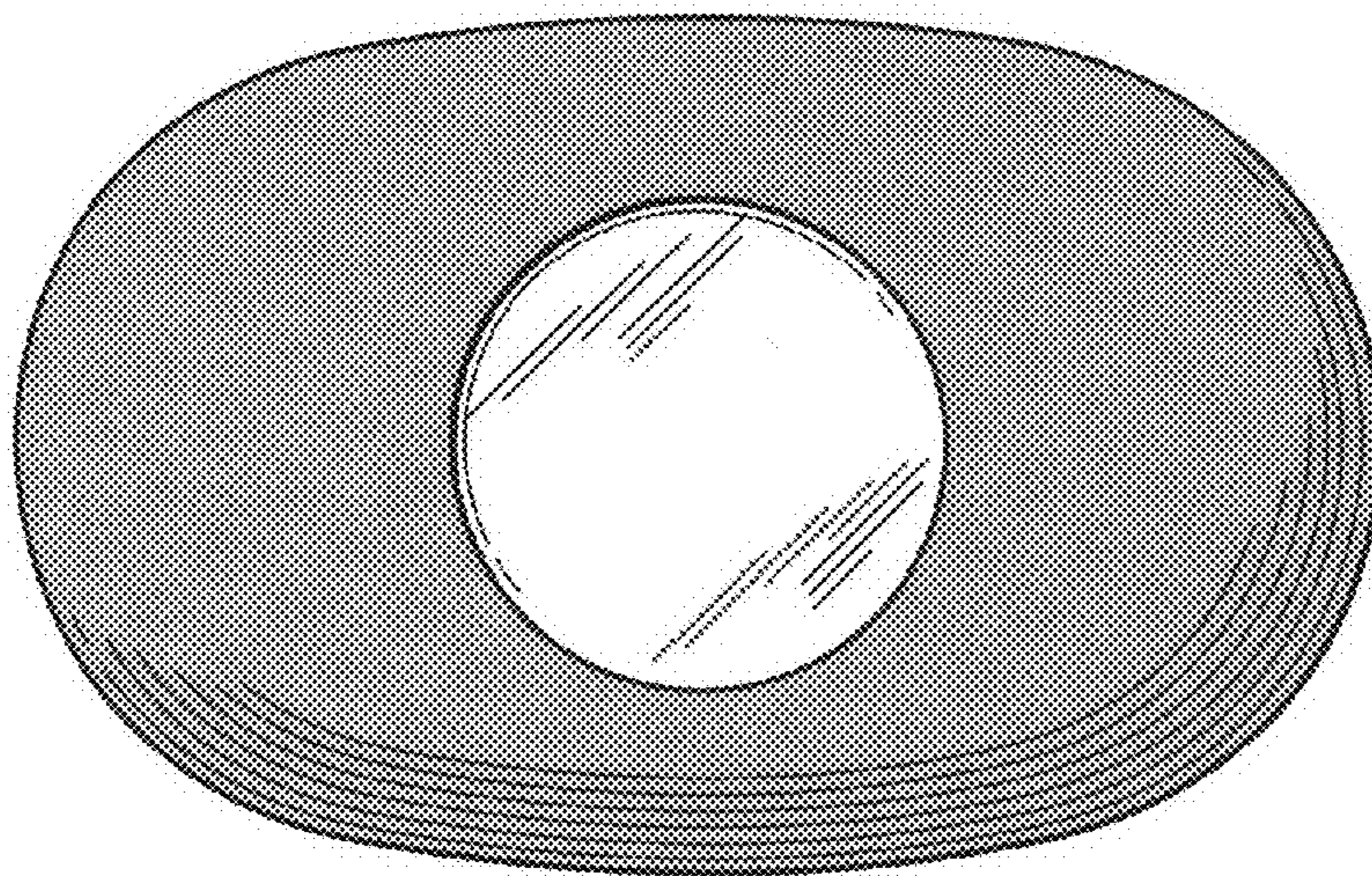


FIG. 9

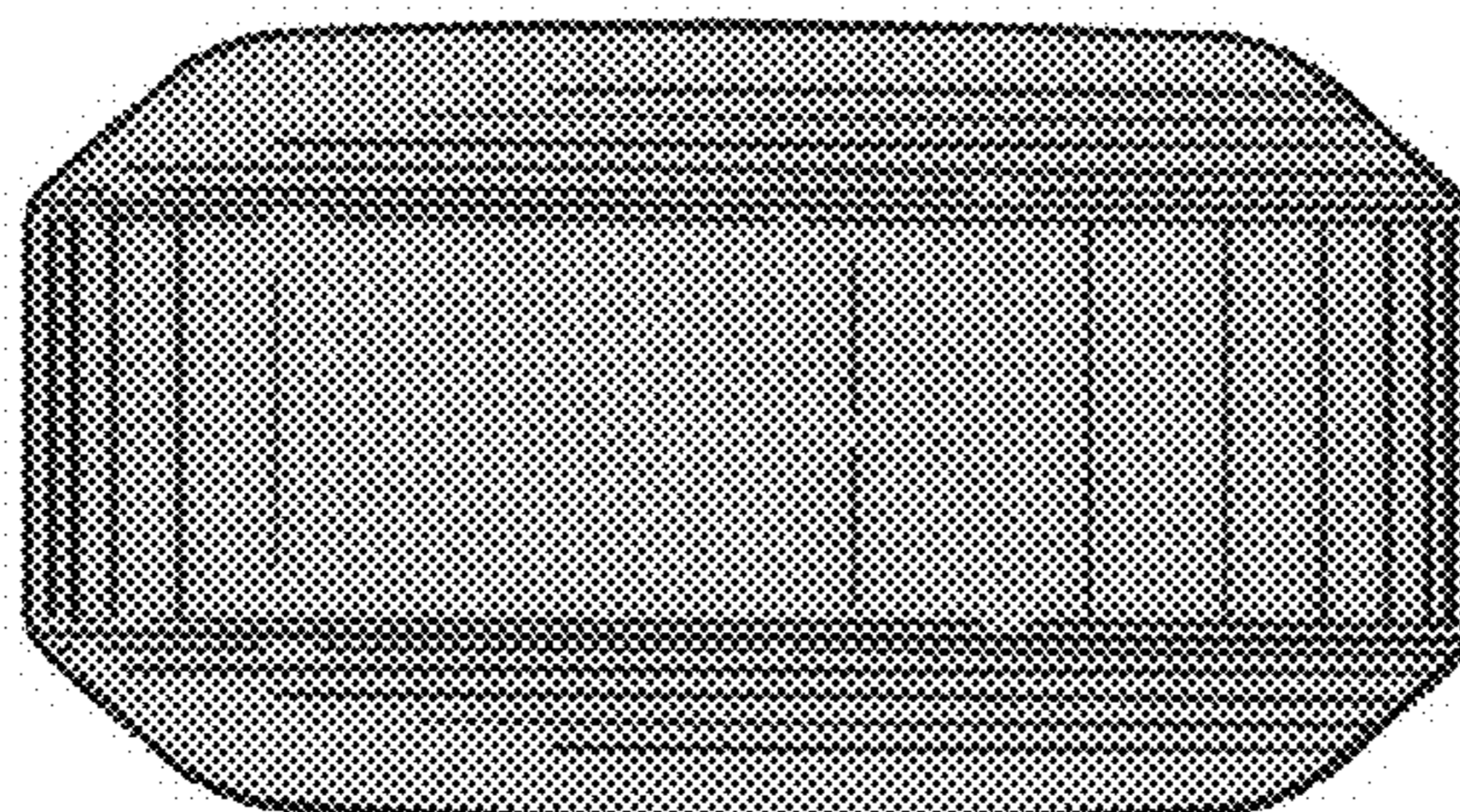


FIG. 10

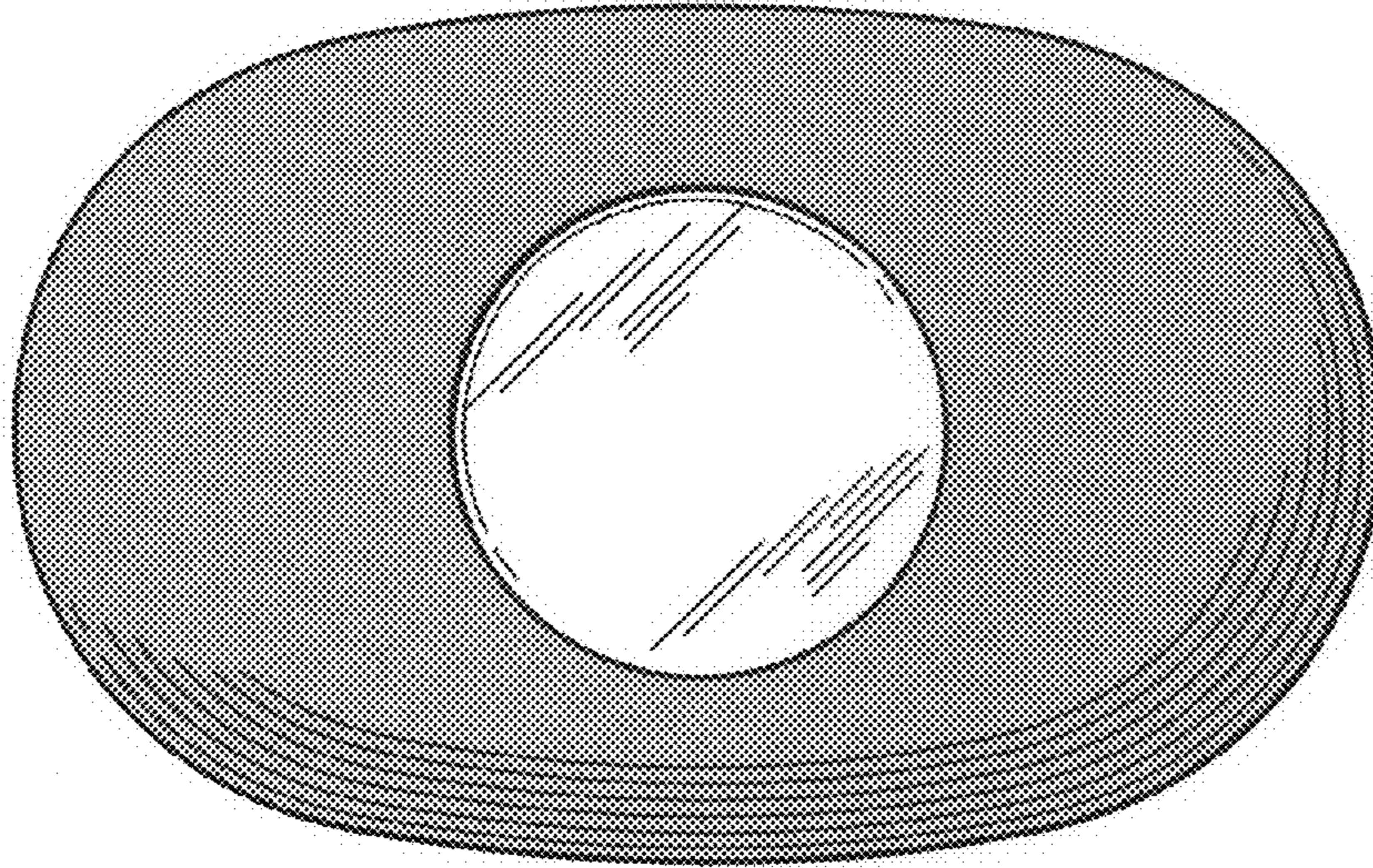


FIG. 11

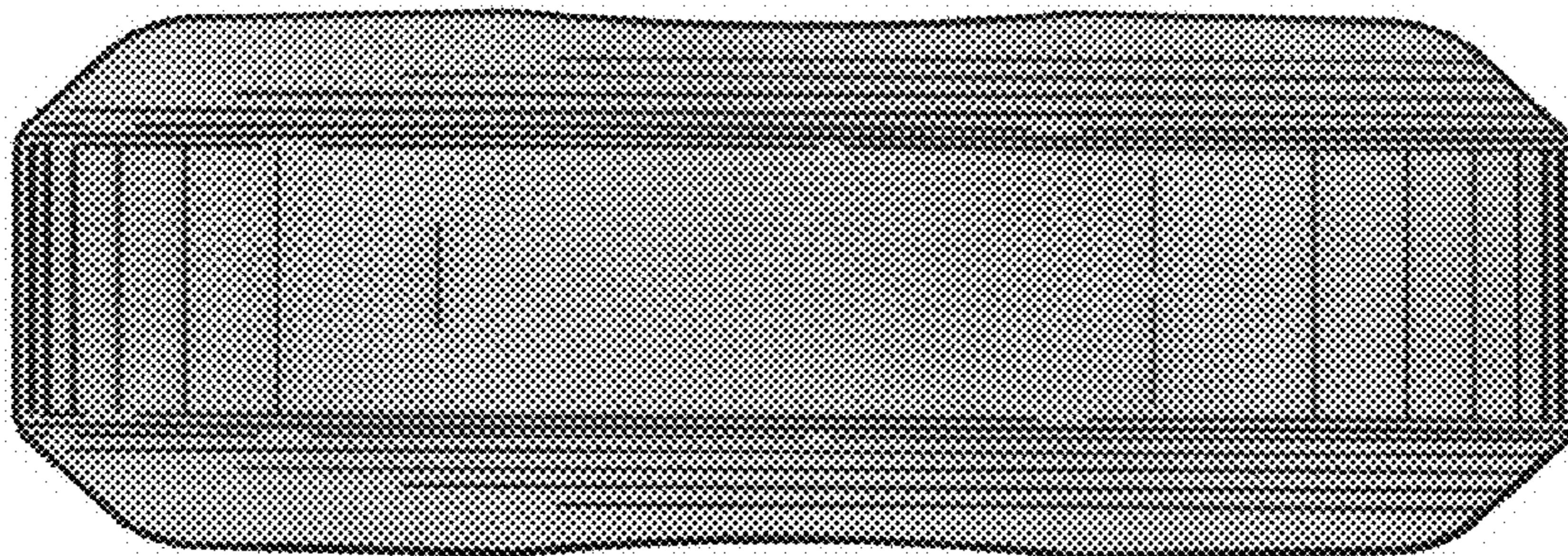


FIG. 12

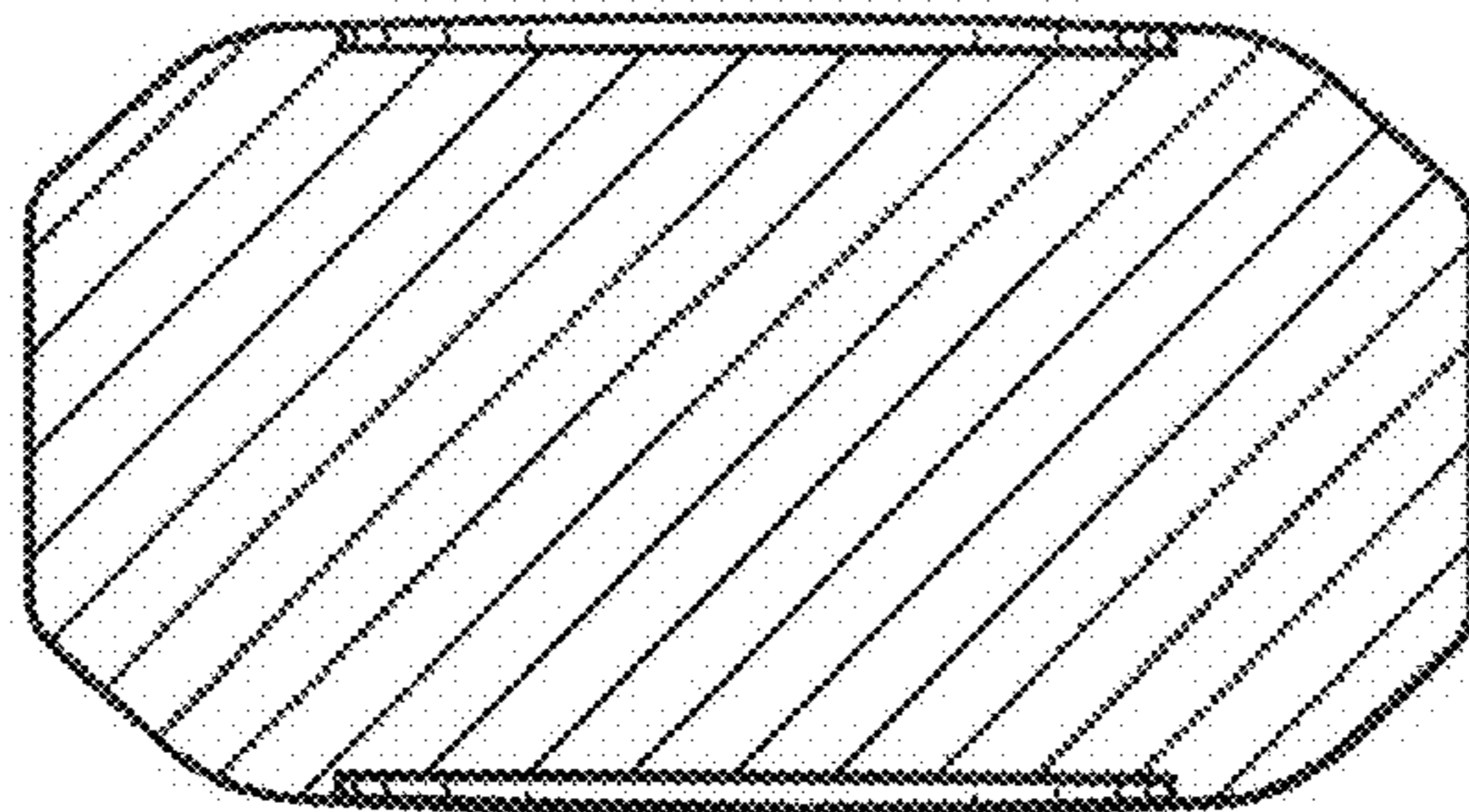


FIG. 13

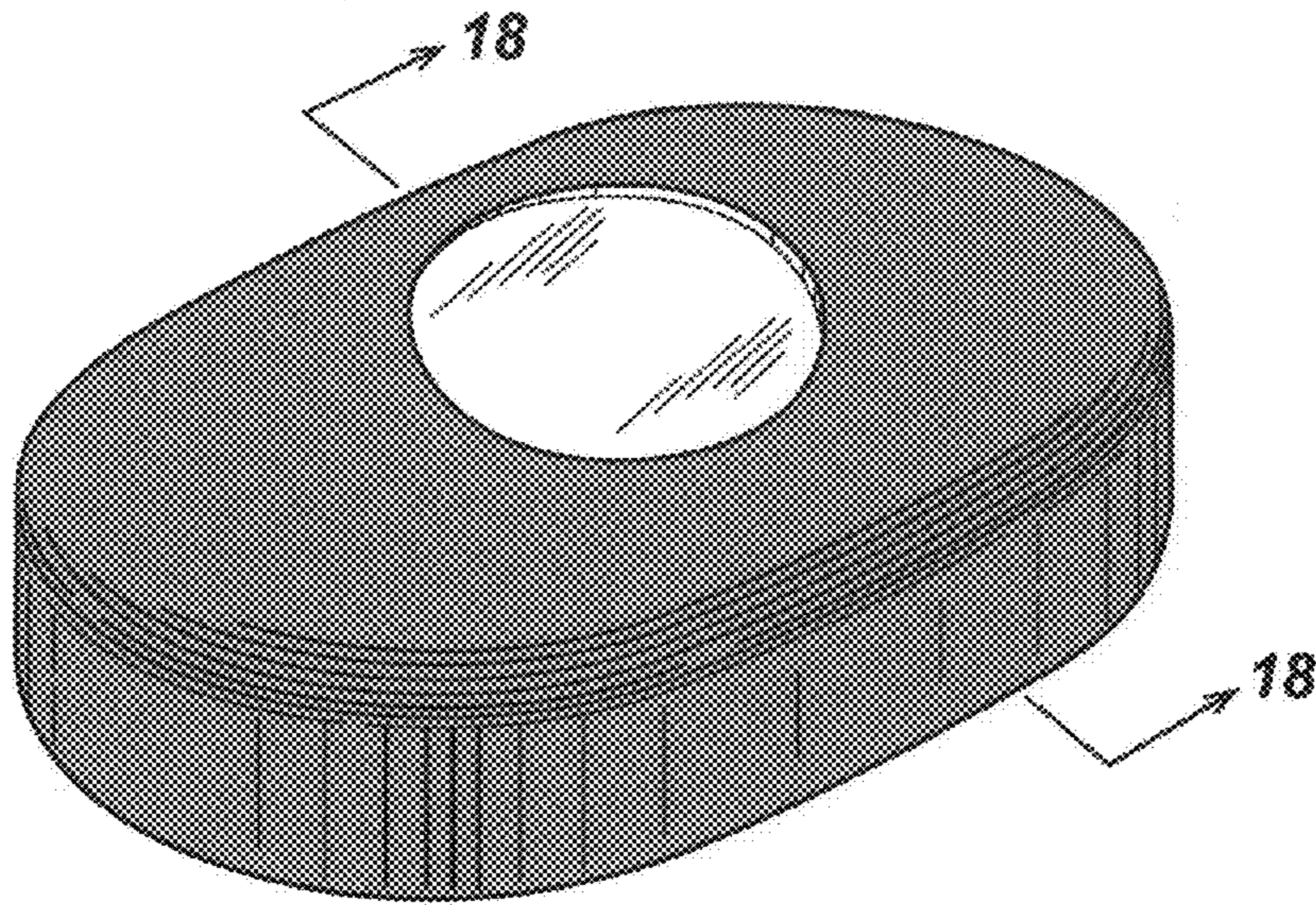


FIG. 14

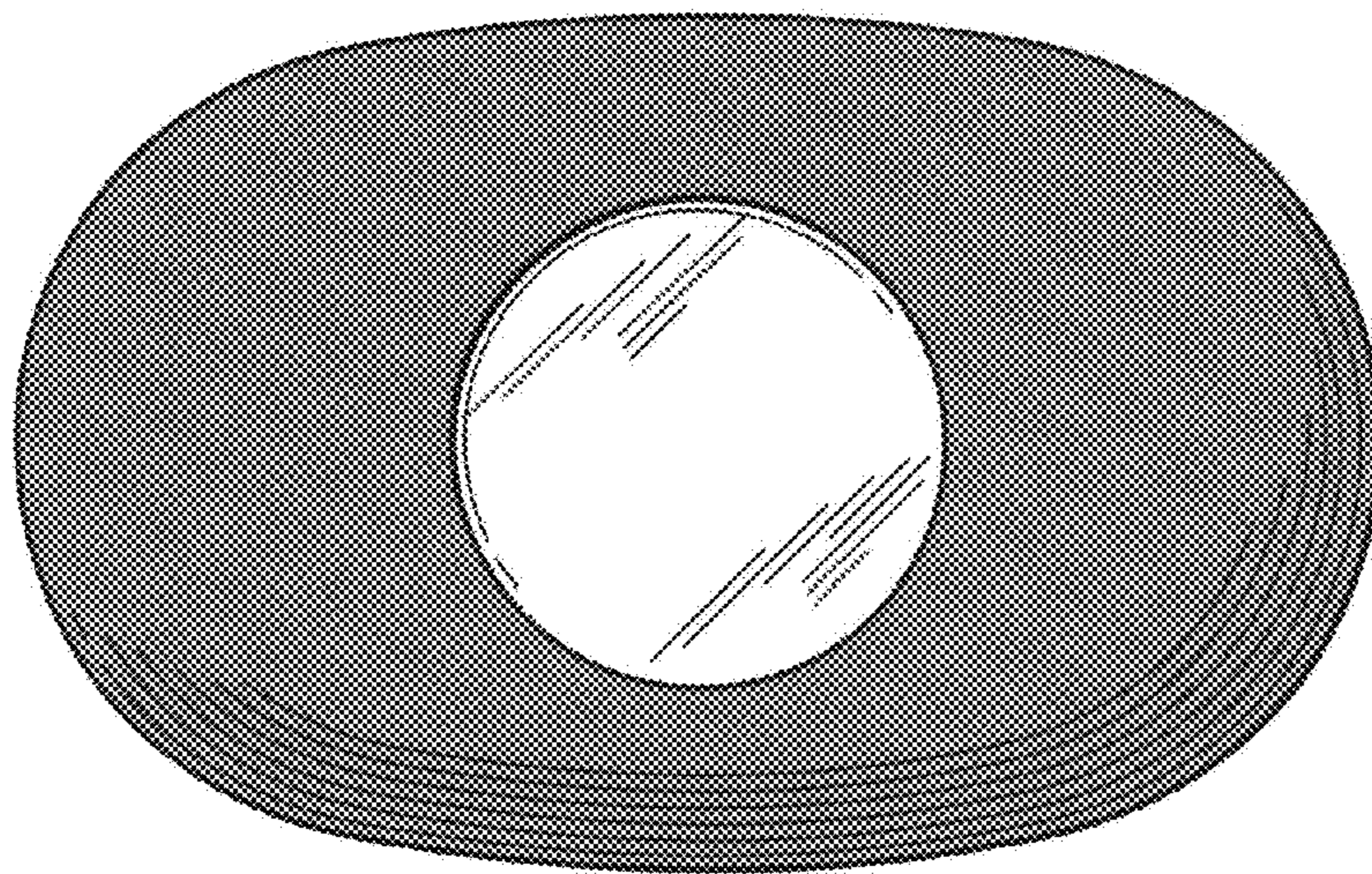


FIG. 15

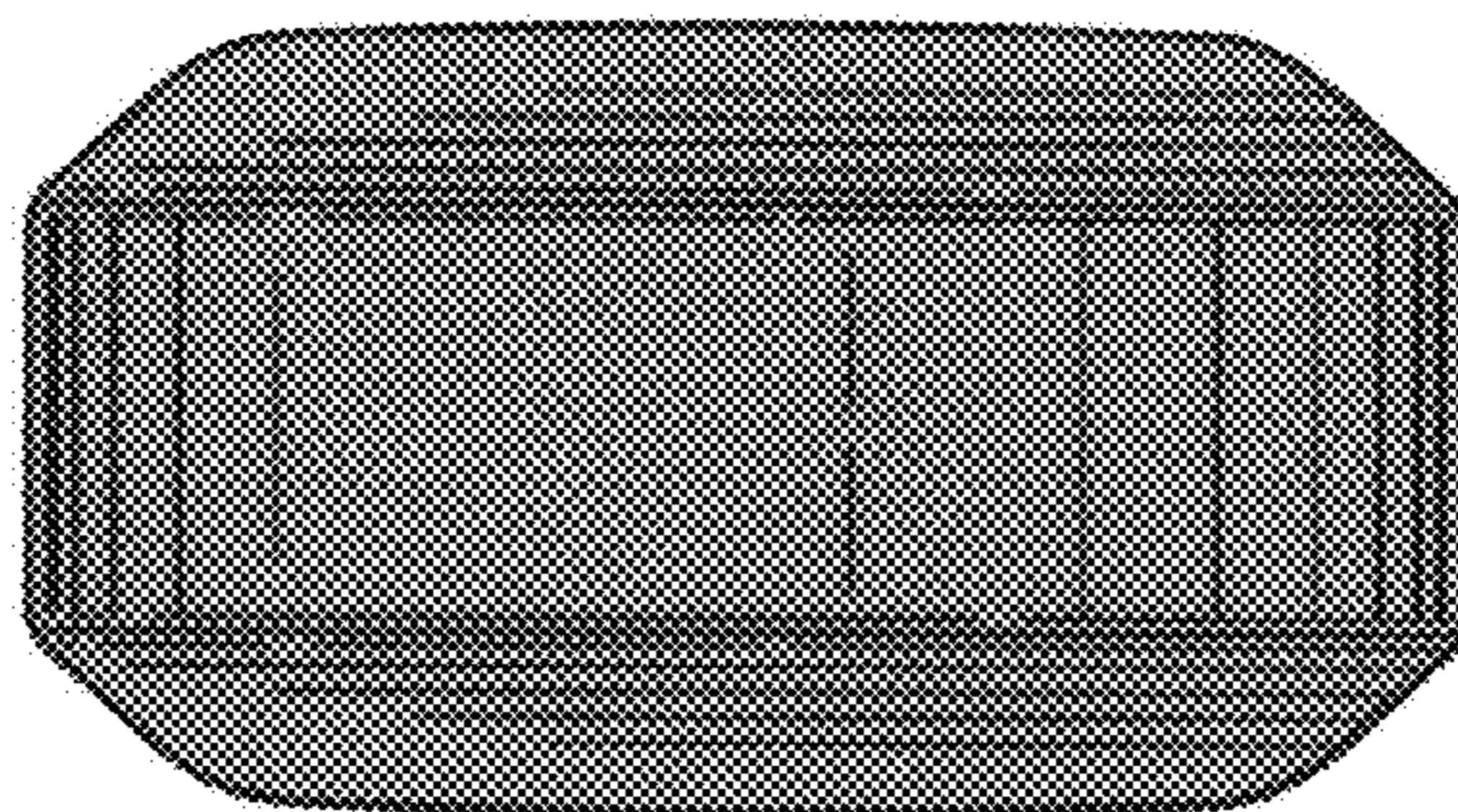


FIG. 16

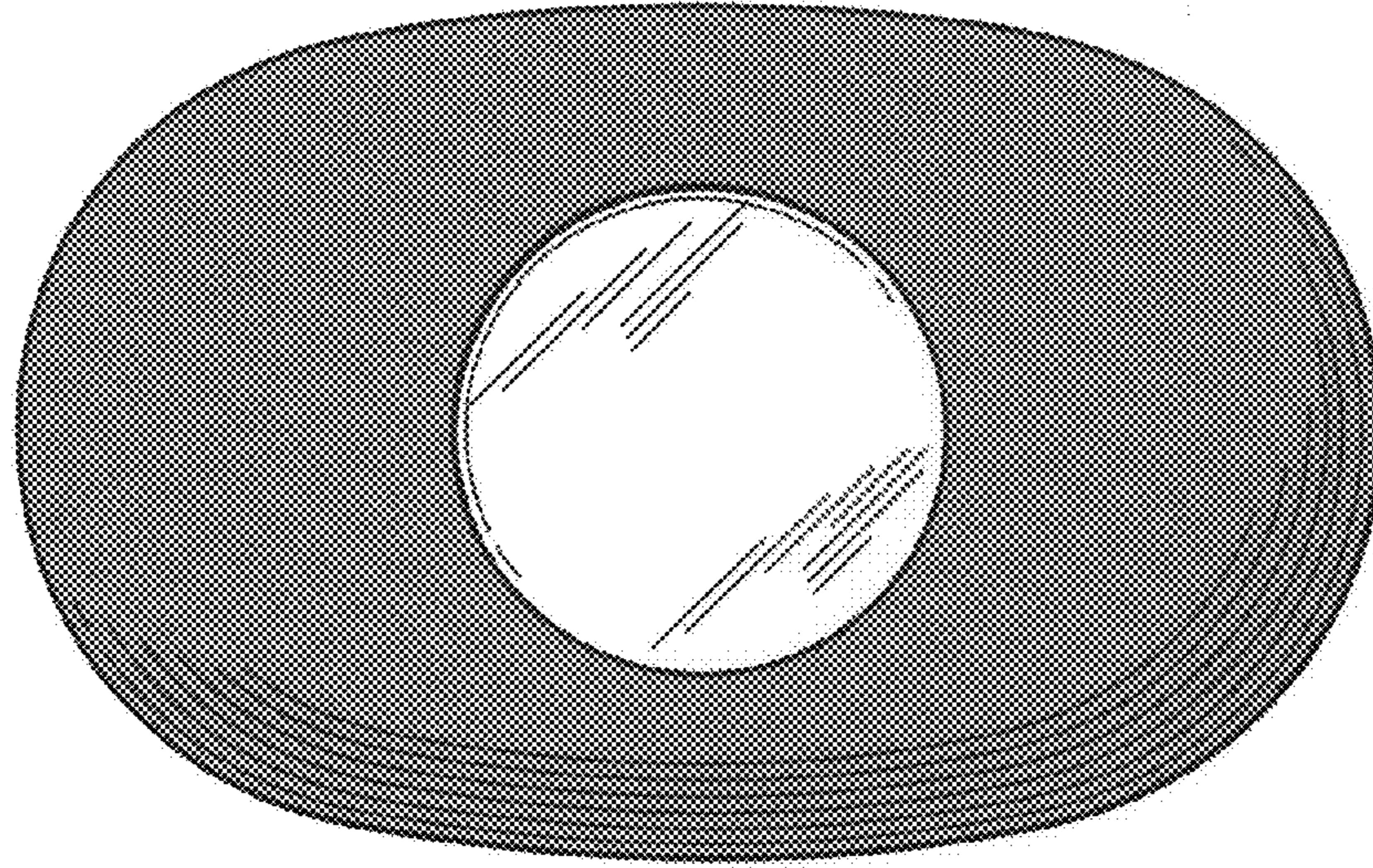


FIG. 17

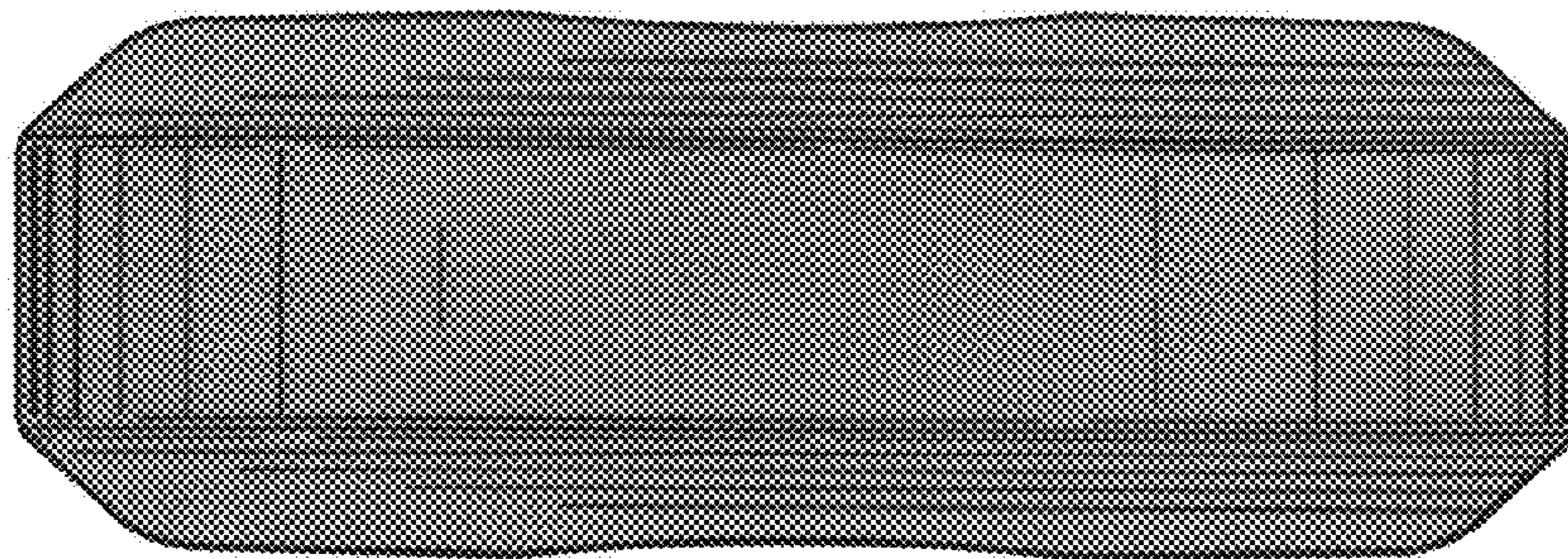


FIG. 18

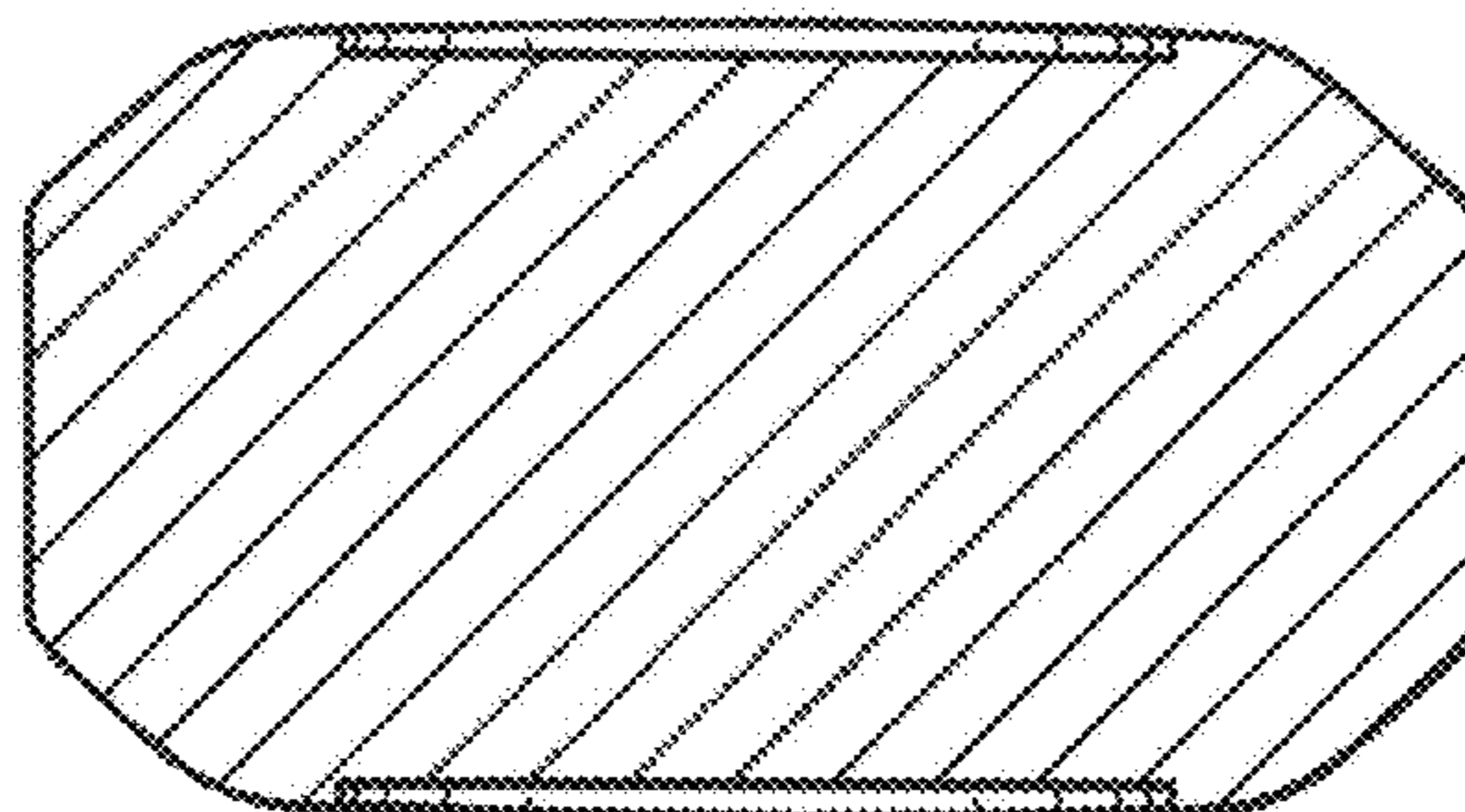


FIG. 19

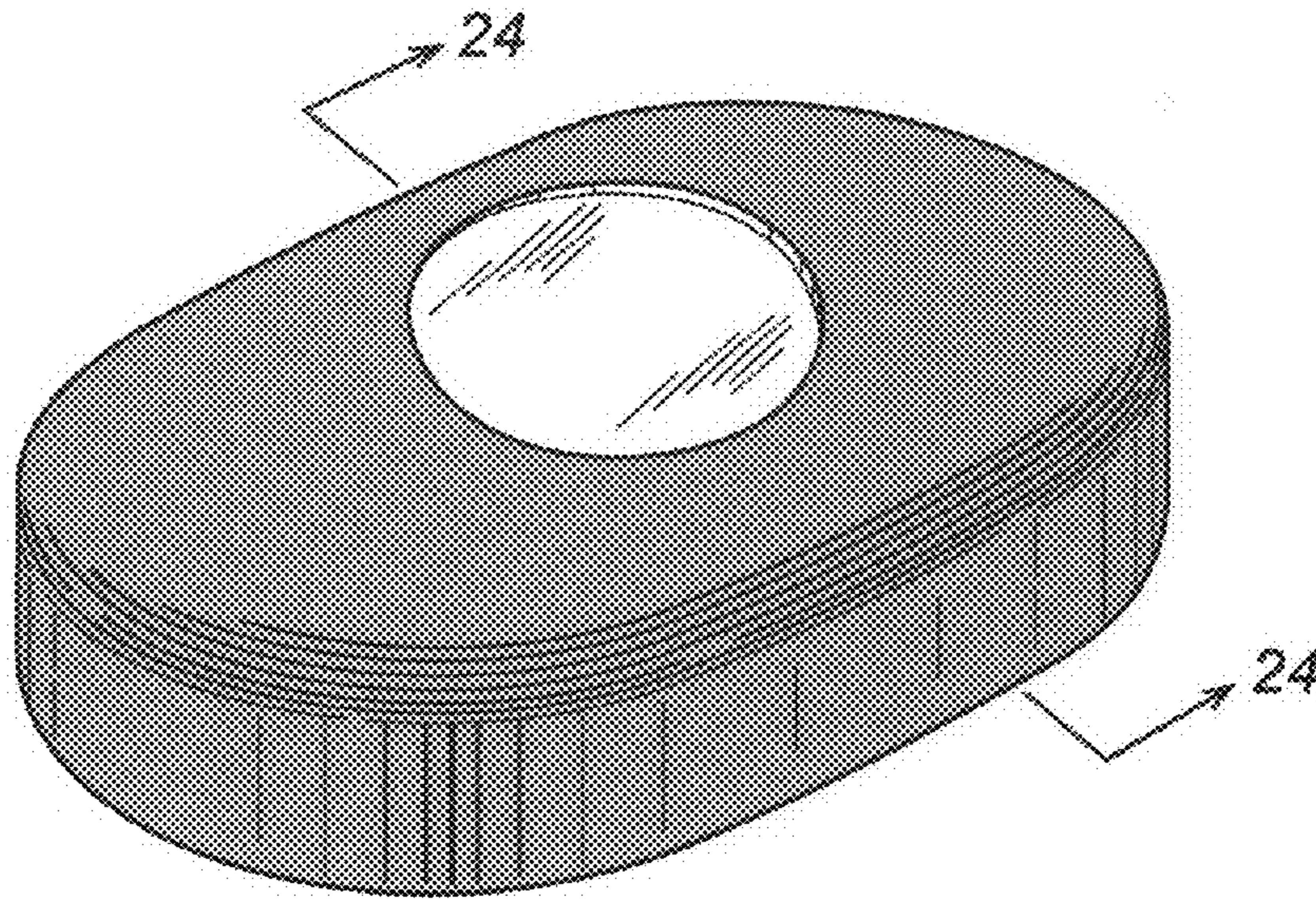


FIG. 20

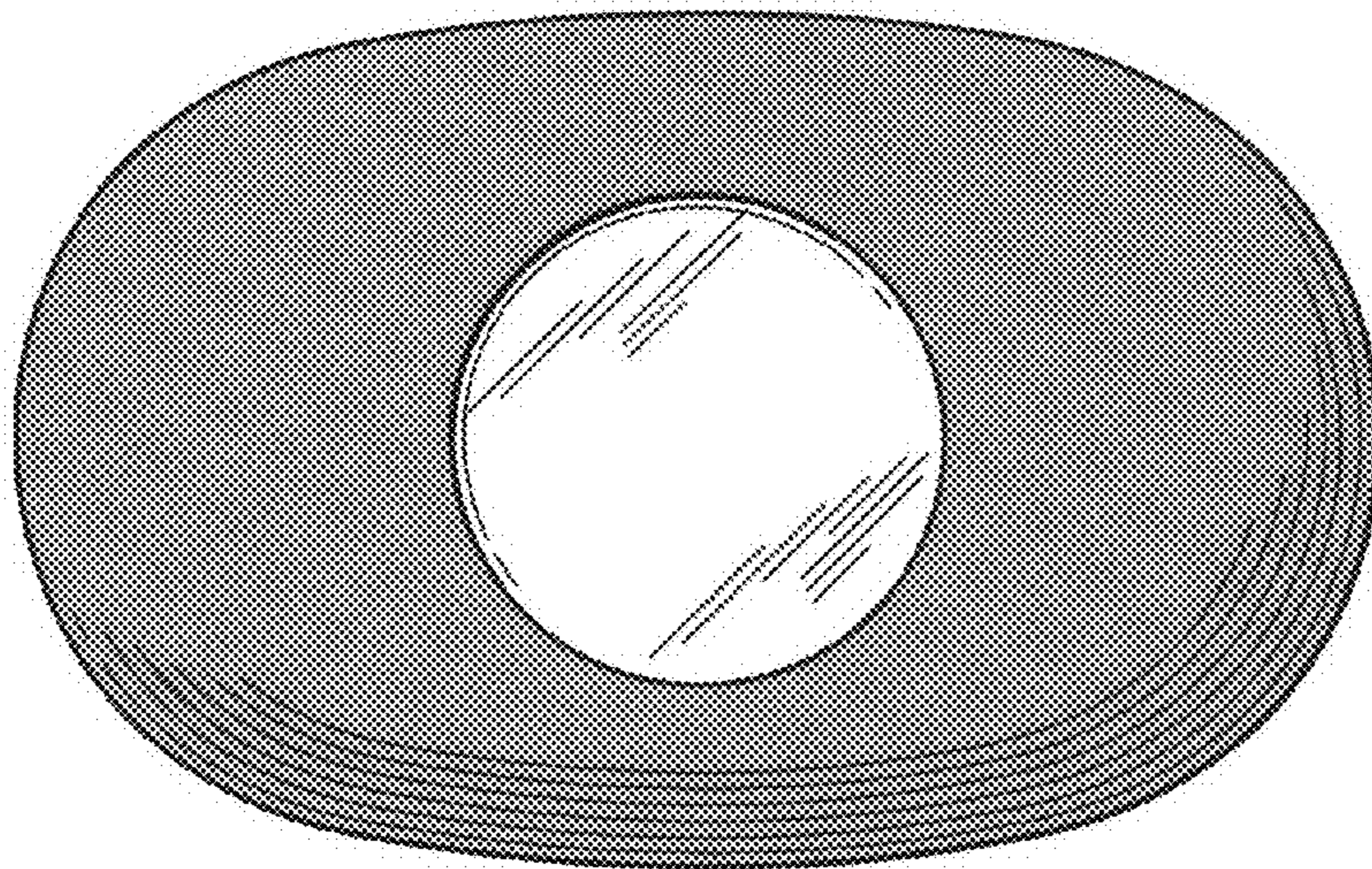


FIG. 21

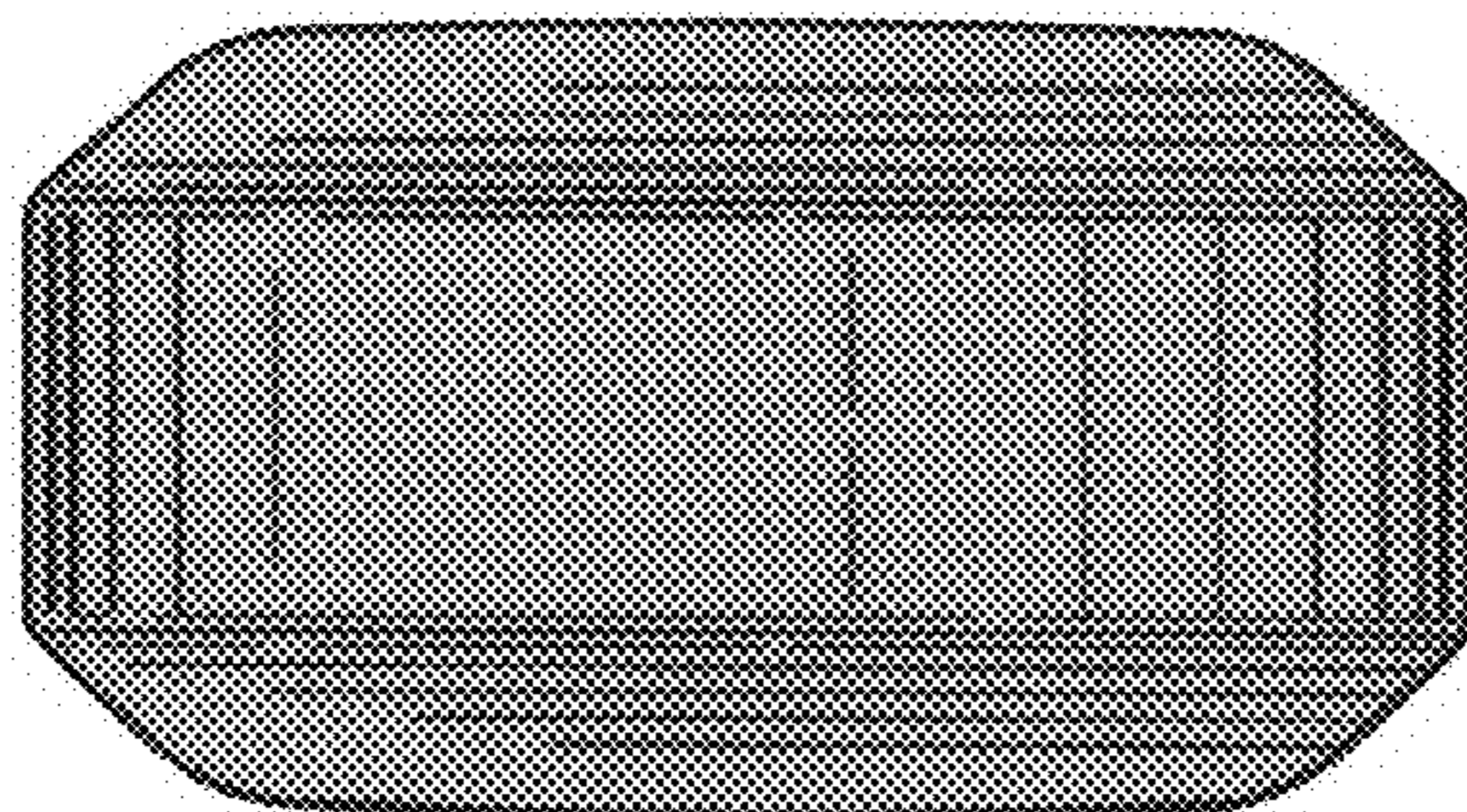


FIG. 22

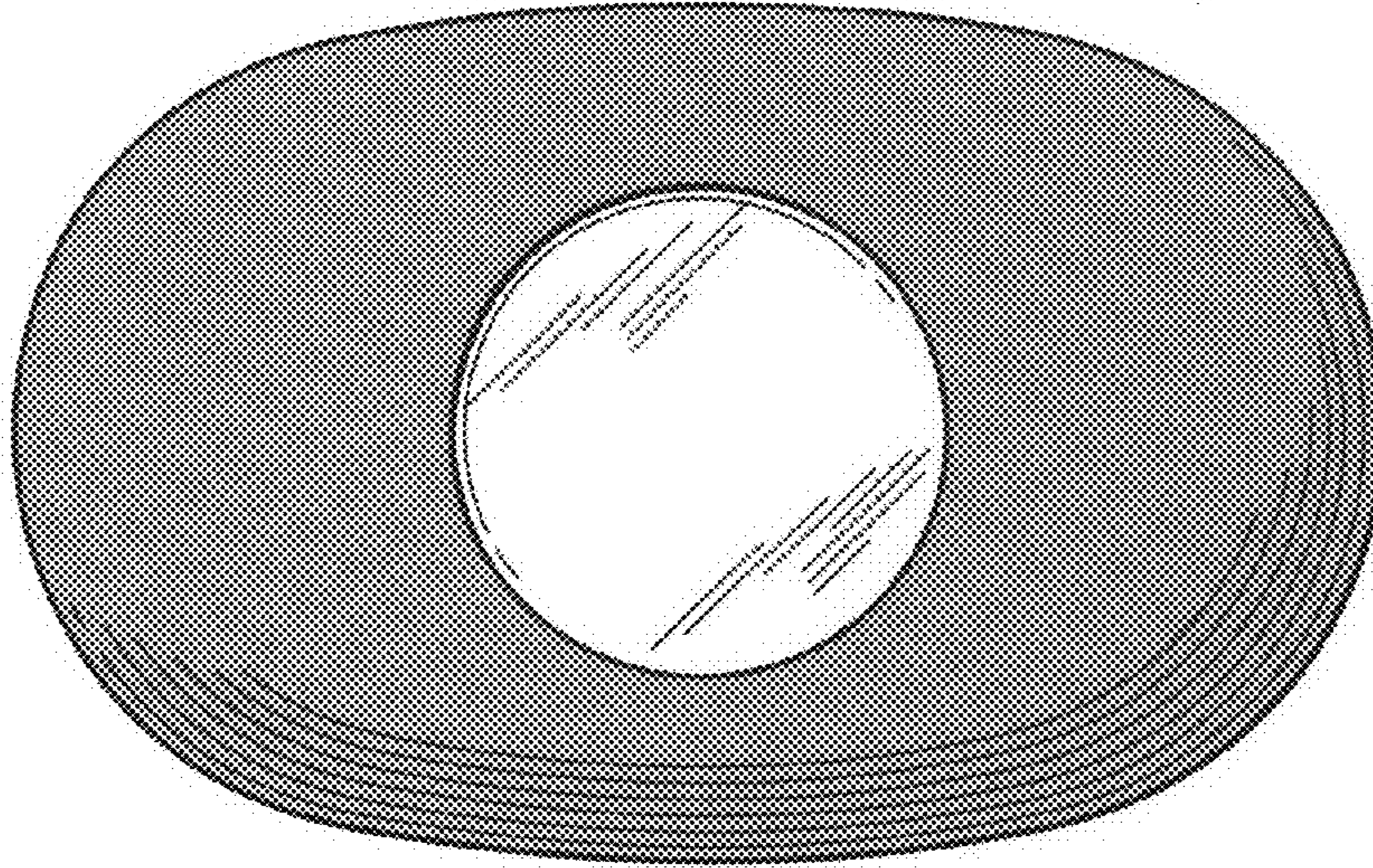


FIG. 23

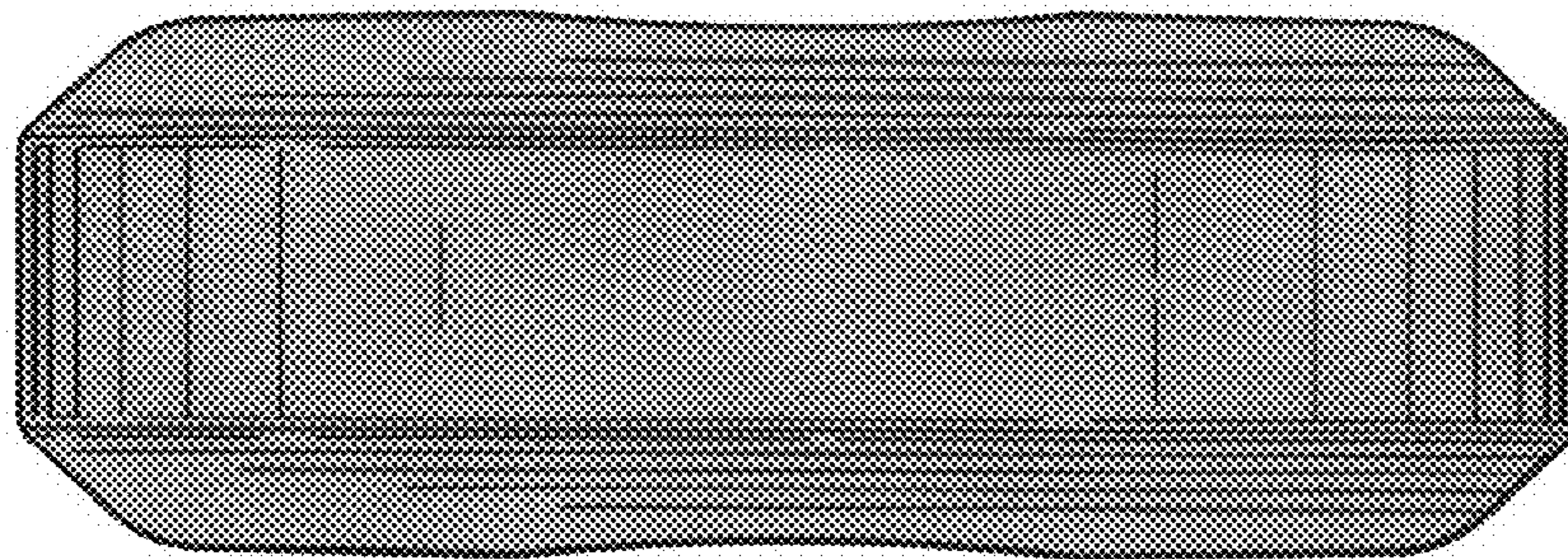


FIG. 24

