



US00D612477S

(12) **United States Design Patent**
Simpson

(10) **Patent No.:** **US D612,477 S**
(45) **Date of Patent:** **** Mar. 23, 2010**

(54) **CAMPFIRE WOOD STAND**

(76) **Inventor:** **Kevin I. Simpson**, 9695 Rudway Ct.,
Sacramento, CA (US) 95827

(**) **Term:** **14 Years**

(21) **Appl. No.:** **29/330,519**

(22) **Filed:** **Jan. 8, 2009**

(51) **LOC (9) Cl.** **23-03**

(52) **U.S. Cl.** **D23/403**

(58) **Field of Classification Search** D23/331,
D23/335-341, 343, 344, 346, 350, 386, 387,
D23/390, 391, 393, 396-410, 415-421, 499;
D7/402, 407, 408, 335, 336; 126/12, 13.29,
126/44, 58, 92 AC, 144, 152 R, 215, 218,
126/219, 242, 243, 245, 500, 501, 509, 510,
126/544, 546, 548; 428/15, 21, 102; 431/125,
431/258, 268, 298, 302

See application file for complete search history.

(56) **References Cited**

U.S. PATENT DOCUMENTS

42,610	A *	5/1864	Treadwell	126/74
1,221,514	A *	4/1917	Crain	126/29
D181,357	S *	11/1957	Hobson	D23/403
D183,231	S *	7/1958	Turner	D23/403
2,900,955	A *	8/1959	Danielsen	119/490
D206,697	S *	9/1966	Thulman	D23/386
D207,935	S *	6/1967	Lovett	D23/403
3,588,023	A *	6/1971	Cohen	248/410
4,083,354	A *	4/1978	Claire et al.	126/30
D279,644	S *	7/1985	Schoonmaker	D7/336
4,553,525	A *	11/1985	Ruble	126/30
4,753,411	A *	6/1988	Lechner et al.	248/533
4,856,423	A *	8/1989	Burns	99/421 H
4,979,490	A *	12/1990	Nudo et al.	126/30
5,234,115	A *	8/1993	Lin	211/196
5,355,867	A *	10/1994	Hall et al.	126/30

D373,702	S *	9/1996	Perry	D7/363
5,944,008	A *	8/1999	Winkel	126/25 R
6,234,162	B1 *	5/2001	Wenker	126/29
7,013,885	B2 *	3/2006	Czajkoski	126/30
D520,804	S *	5/2006	Lu	D7/335
D537,509	S *	2/2007	Thielen	D23/337
2003/0148045	A1 *	8/2003	Tsai	428/18

FOREIGN PATENT DOCUMENTS

FI	957642-0001	*	6/2008
FI	957642-0002	*	6/2009

* cited by examiner

Primary Examiner—T. Chase Nelson

Assistant Examiner—Karen Acker

(74) *Attorney, Agent, or Firm*—R. Michael West

(57) **CLAIM**

The ornamental design for a campfire wood stand, as shown and described.

DESCRIPTION

FIG. 1 is a perspective view of a campfire wood stand, showing my new design;

FIG. 2 is a front elevational view, thereof, the rear elevational view being identical, thereto;

FIG. 3 is a side elevational view, the opposite side elevational view being identical, thereto;

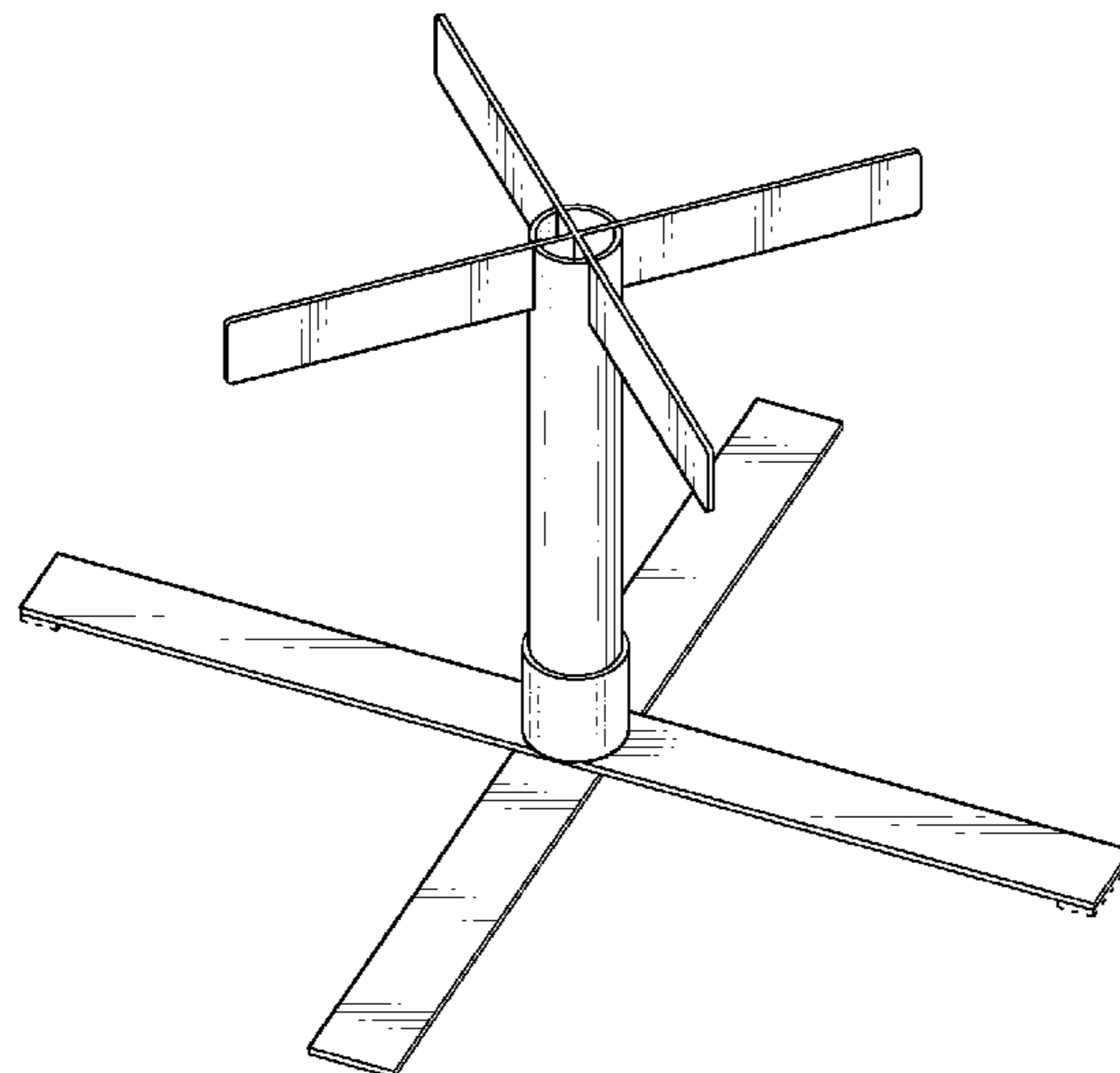
FIG. 4 is a top plan view, thereof;

FIG. 5 is a bottom plan view, thereof; and,

FIG. 6 is a perspective view in environment, the broken line representations of the firewood and the frying pan being included solely for illustrative purposes, forming no part of the claimed design.

The broken line representations of the foot pads shown in FIGS. 1, 2, 5, and 6 form no part of the claimed design.

1 Claim, 2 Drawing Sheets



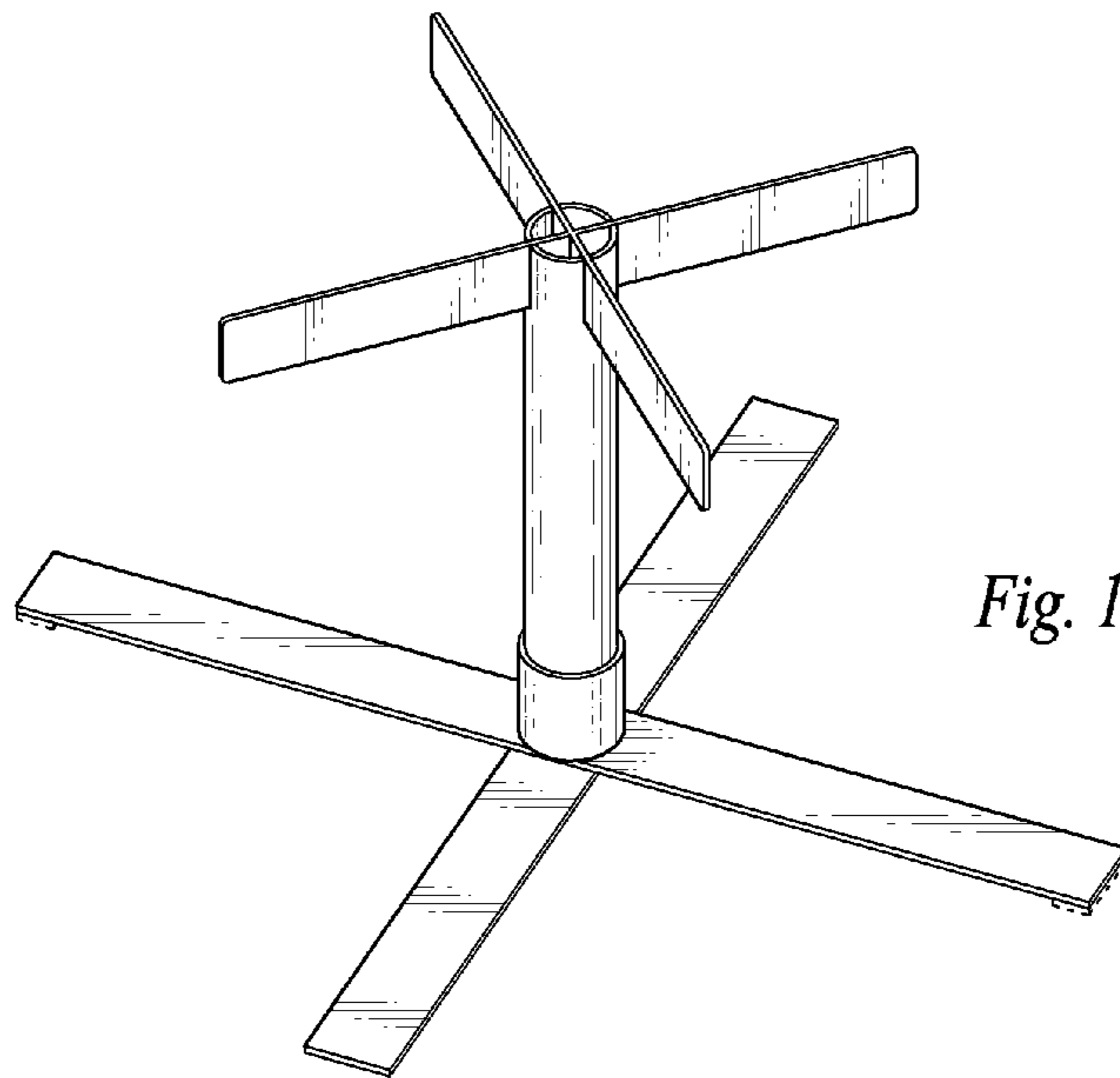


Fig. 1

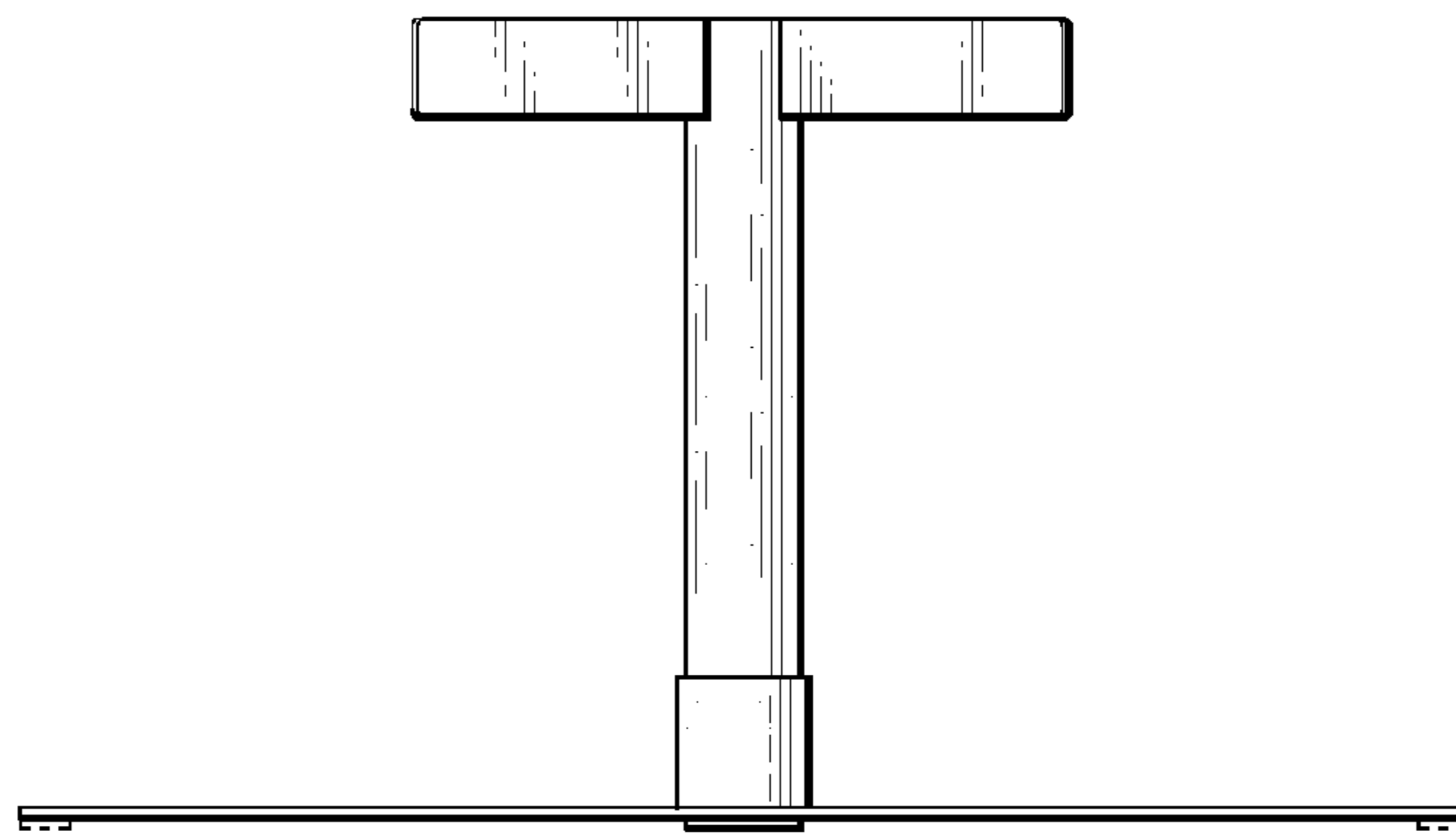


Fig. 2

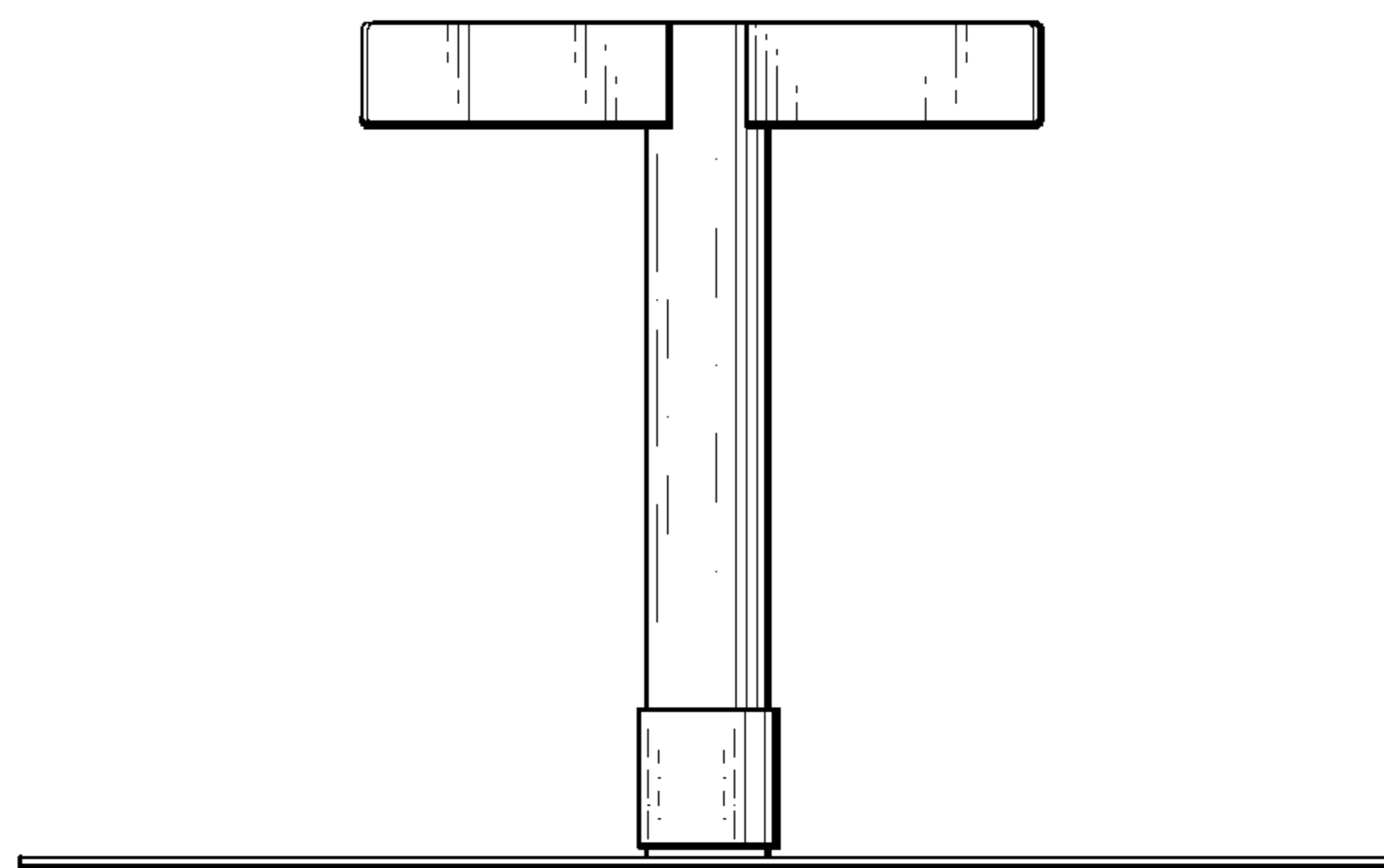


Fig. 3

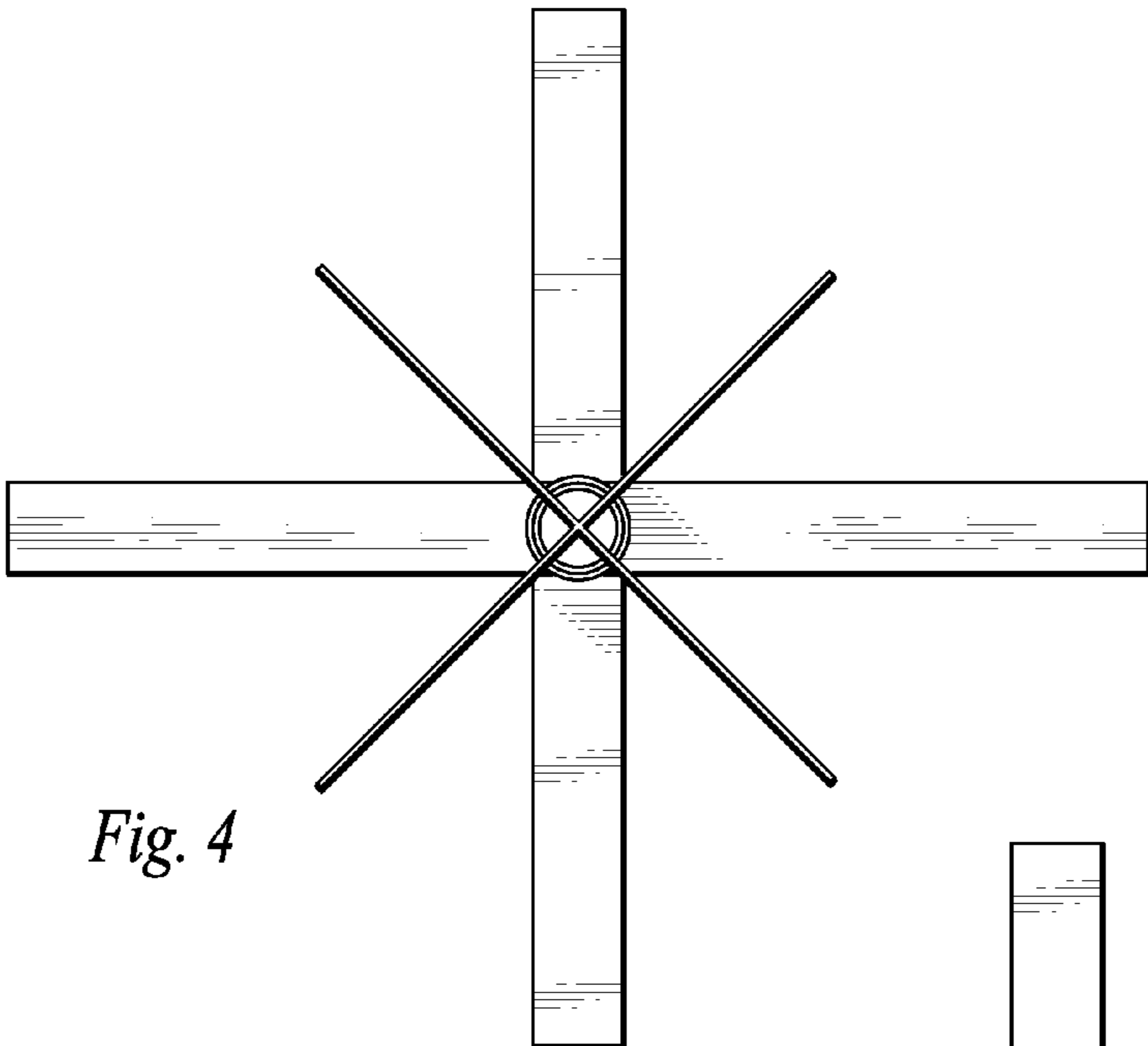


Fig. 4

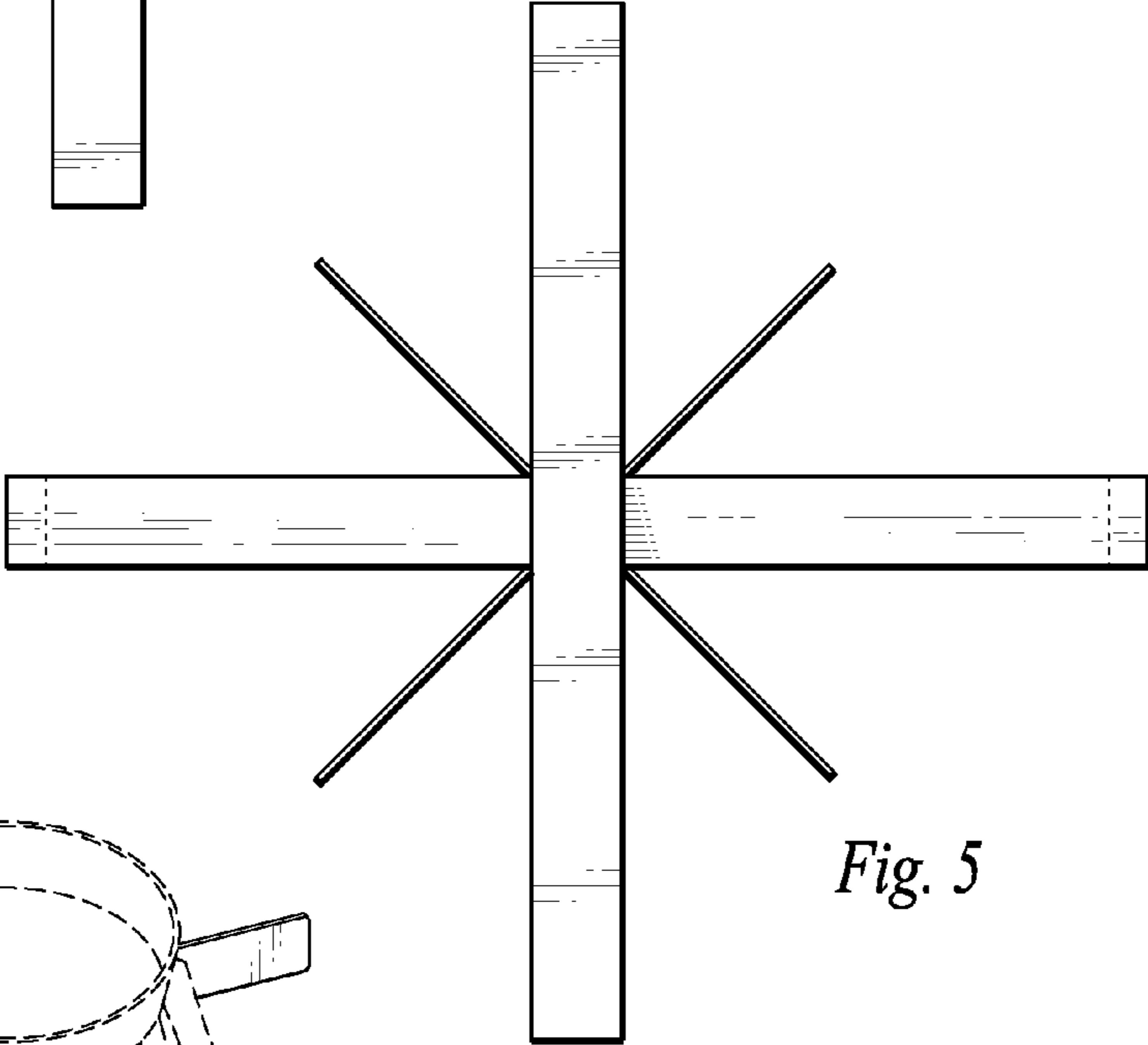


Fig. 5

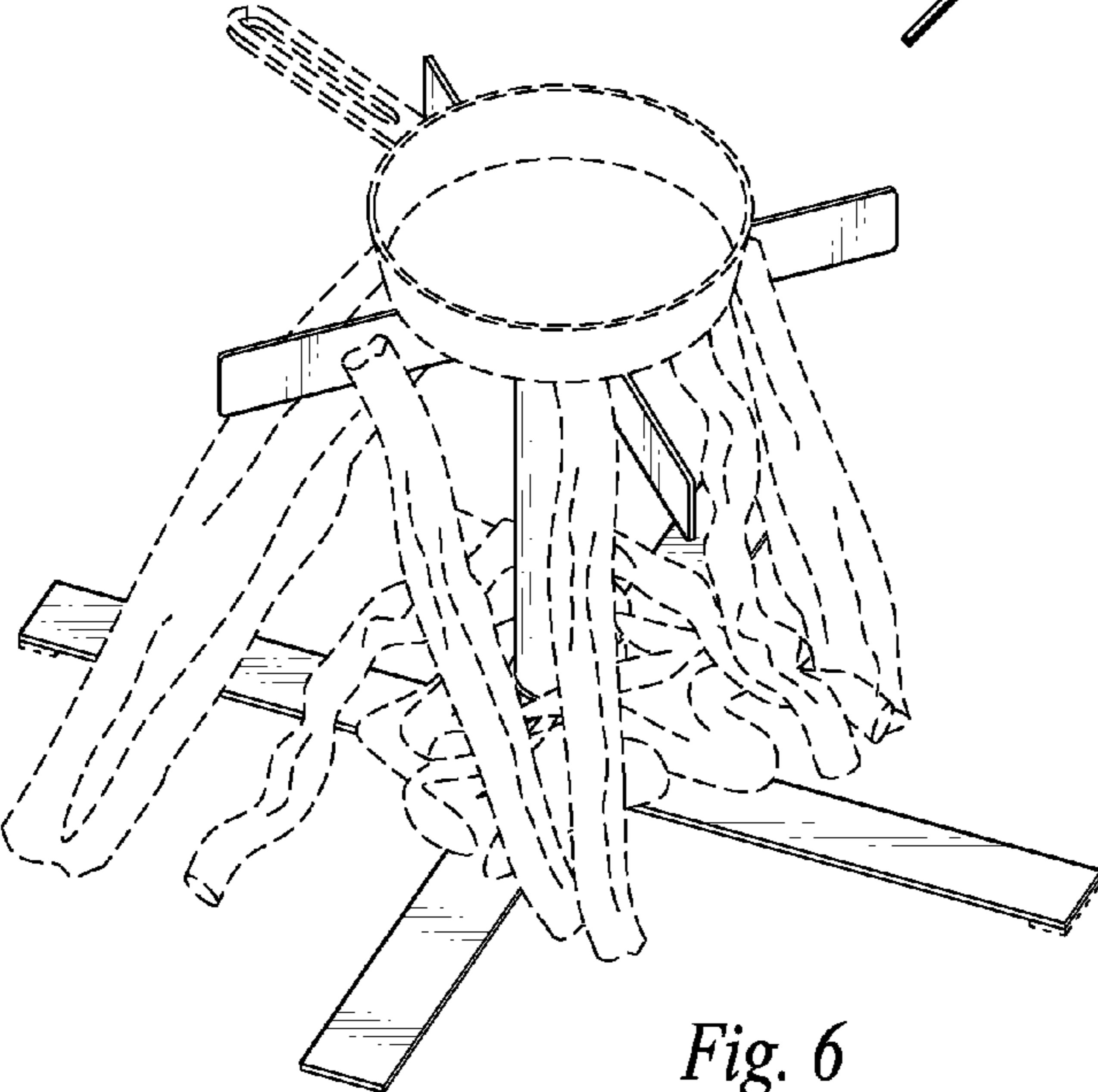


Fig. 6