



US00D612473S

(12) **United States Design Patent**
Valentino et al.

(10) **Patent No.:** **US D612,473 S**
(45) **Date of Patent:** **** Mar. 23, 2010**

(54) **ELECTRIC FRAGRANCE DIFFUSER**

(75) Inventors: **Heidi Valentino**, New York, NY (US);
Kathryn Ludwig, New York, NY (US)

(73) Assignee: **Bath & Body Works Brand Management, Inc.**, Reynoldsburg, OH (US)

(**) Term: **14 Years**

(21) Appl. No.: **29/340,496**

(22) Filed: **Jul. 20, 2009**

(51) **LOC (9) Cl.** **28-99**

(52) **U.S. Cl.** **D23/366**

(58) **Field of Classification Search** D23/355-369;
D28/5, 6; 261/DIG. 17, DIG. 42, DIG. 65,
261/DIG. 88, DIG. 89; 392/386, 390, 391,
392/392, 394, 395, 389, 393; 239/34, 35,
239/43-45, 53, 56, 57, 60, 326, 42, 50, 55

See application file for complete search history.

(56) **References Cited**

U.S. PATENT DOCUMENTS

D274,837 S	7/1984	Lynch et al.	
D307,469 S *	4/1990	Gutkowski	D23/367
D318,613 S *	7/1991	Halm et al.	D32/29.1
D319,583 S	9/1991	Halm et al.	
D319,781 S *	9/1991	Halm et al.	D32/29.1
D355,962 S	2/1995	Chiu et al.	
D356,636 S	3/1995	Kunze	
D365,629 S	12/1995	Wallwork et al.	
D377,523 S	1/1997	Marvin et al.	
D398,045 S	9/1998	Jane et al.	
D432,223 S	10/2000	King	

D455,827 S	4/2002	Simons et al.	
D458,359 S	6/2002	Blanchette	
D460,168 S *	7/2002	Chen	D23/364
D464,130 S	10/2002	Denham et al.	
D478,973 S *	8/2003	Wagner	D23/367
D484,229 S *	12/2003	Upson	D23/366
D484,585 S *	12/2003	Upson	D23/366
D504,171 S	4/2005	Ibarra et al.	
6,880,765 B2 *	4/2005	Tuomikoski et al.	239/34
D509,890 S *	9/2005	Stavale et al.	D23/366
D510,991 S *	10/2005	Harbutt et al.	D23/366
D521,620 S *	5/2006	Tseng et al.	D23/364
D522,118 S *	5/2006	Miro	D23/366
D536,081 S	1/2007	Steinel	

* cited by examiner

Primary Examiner—Sandra Snapp

(74) *Attorney, Agent, or Firm*—Ward & Olivo

(57) **CLAIM**

The ornamental design for an electric fragrance diffuser, as shown and described.

DESCRIPTION

FIG. 1 is a perspective view of an electric fragrance diffuser;

FIG. 2 is a front view thereof;

FIG. 3 is a back view thereof;

FIG. 4 is a left side view thereof;

FIG. 5 is a right side view thereof;

FIG. 6 is a top view thereof; and,

FIG. 7 is a bottom view thereof.

The broken lines shown in the drawings are for illustrative purposes only and form no part of the claimed design.

1 Claim, 6 Drawing Sheets

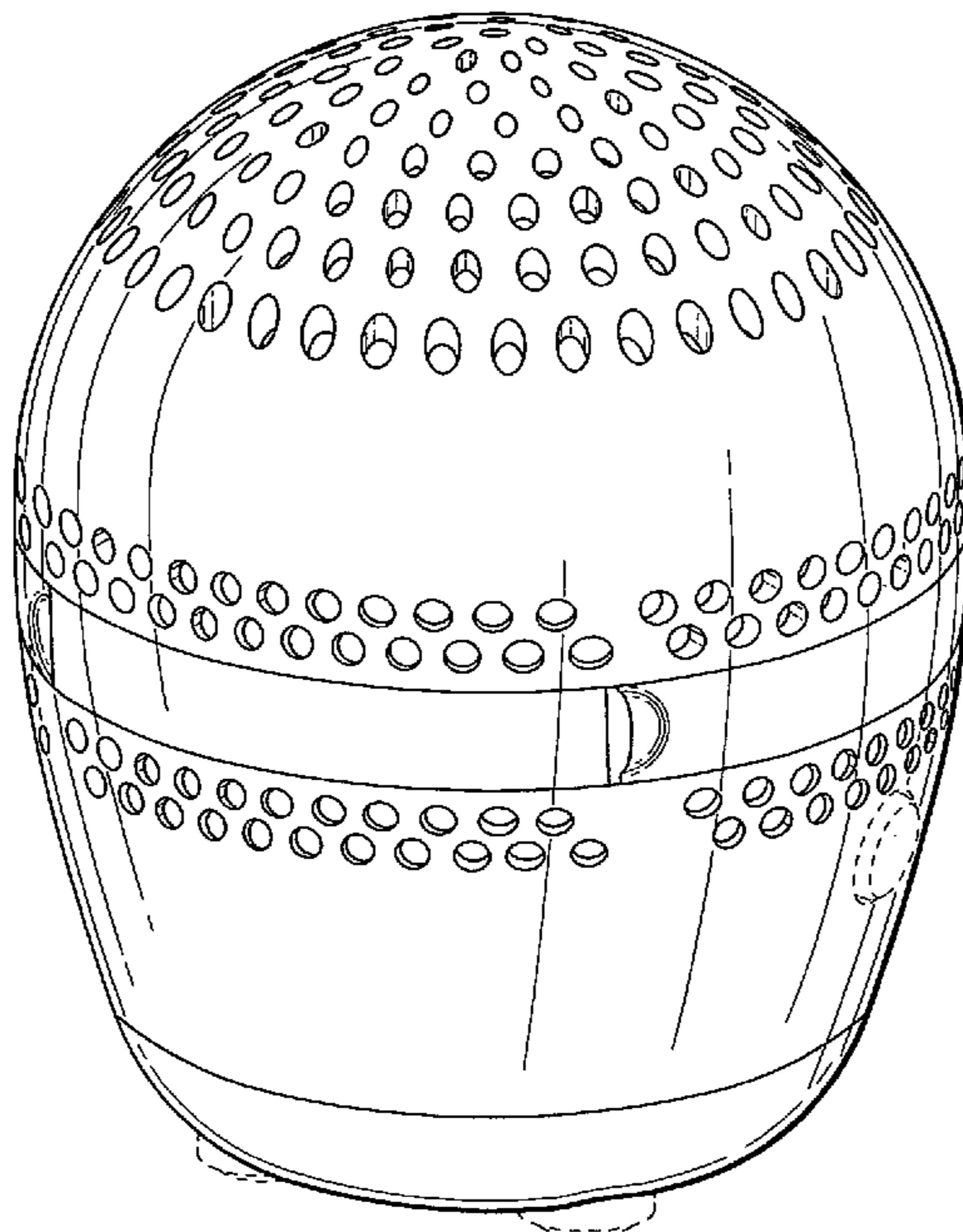


FIG. 1

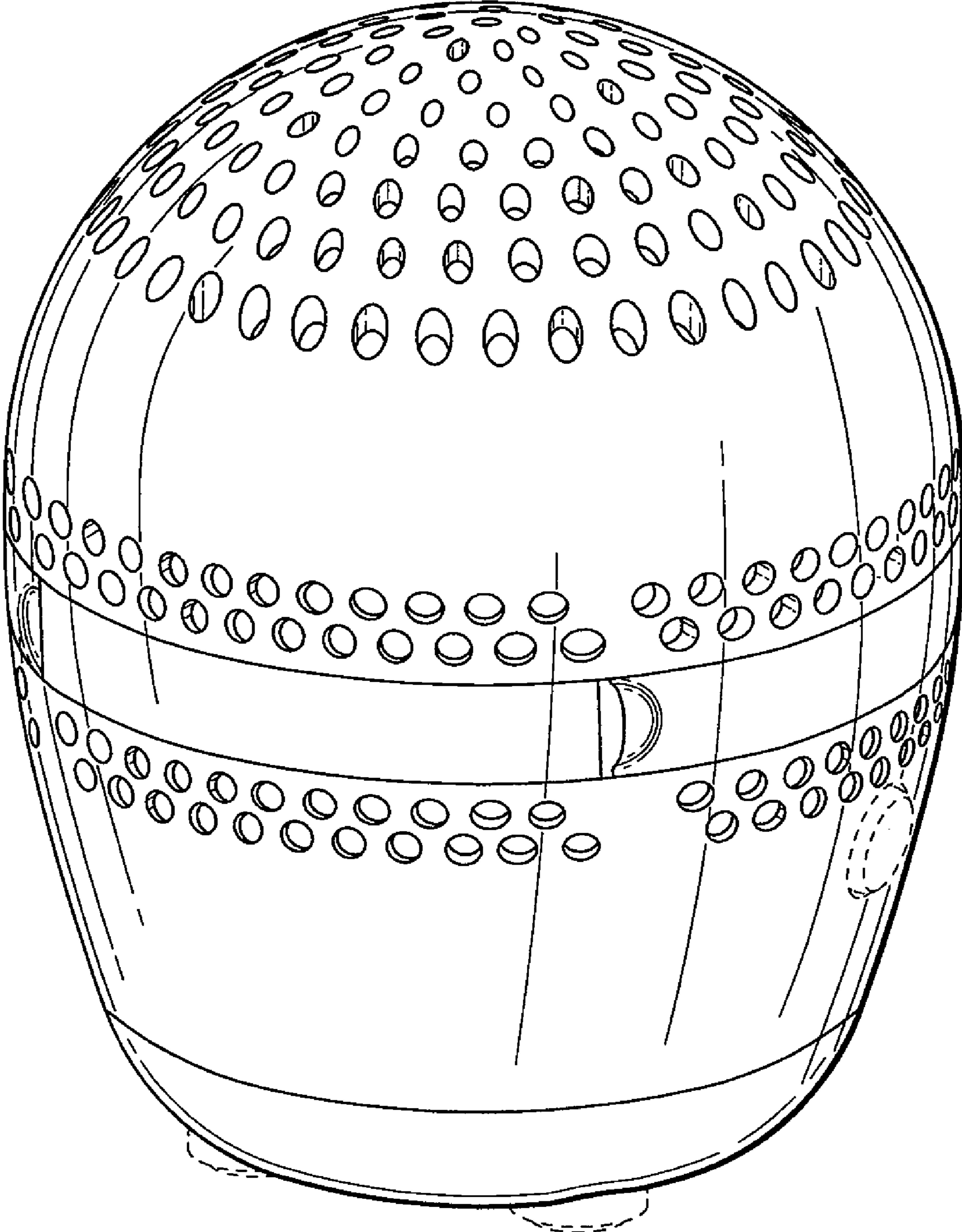


FIG. 2

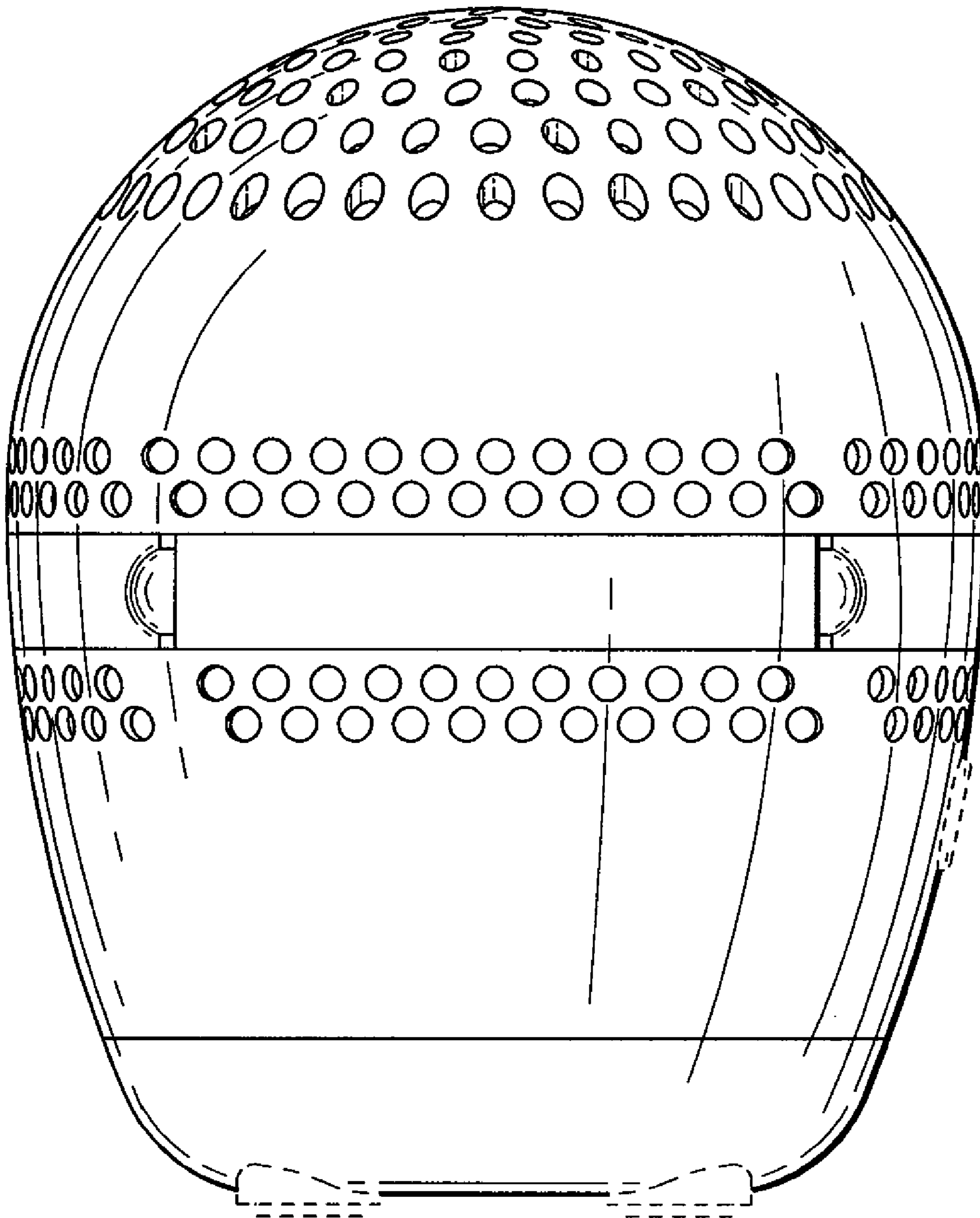


FIG. 3

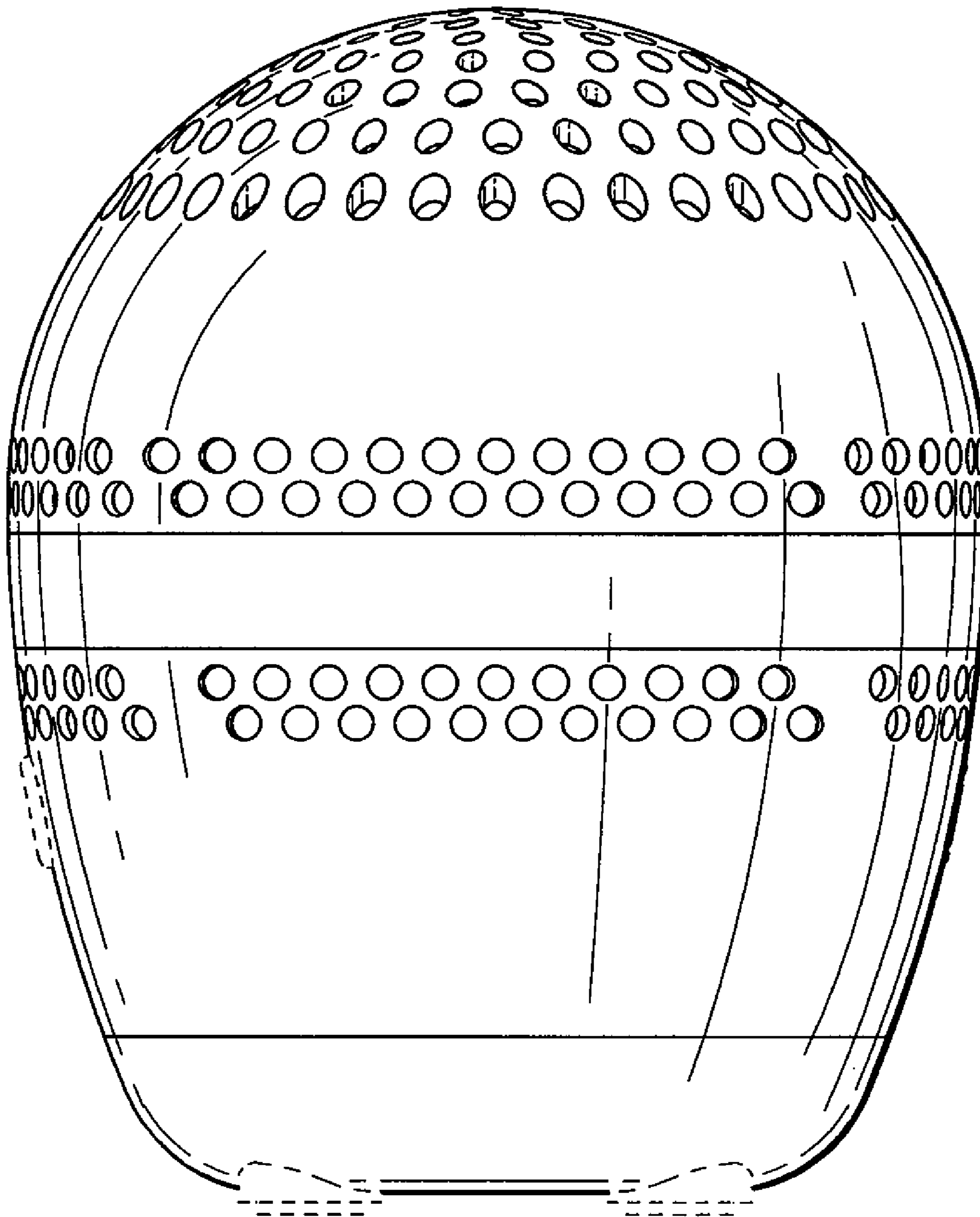


FIG. 4

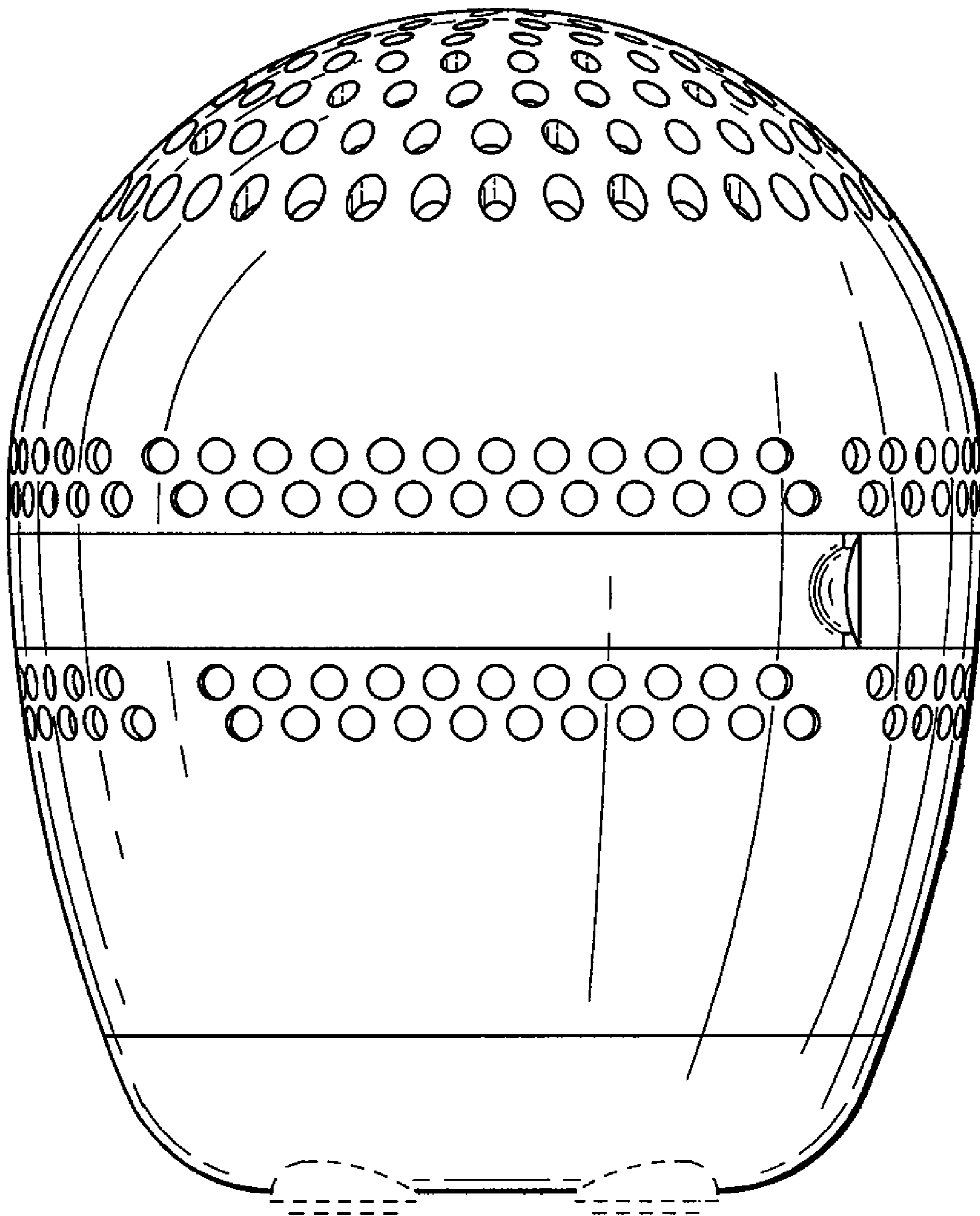


FIG. 5

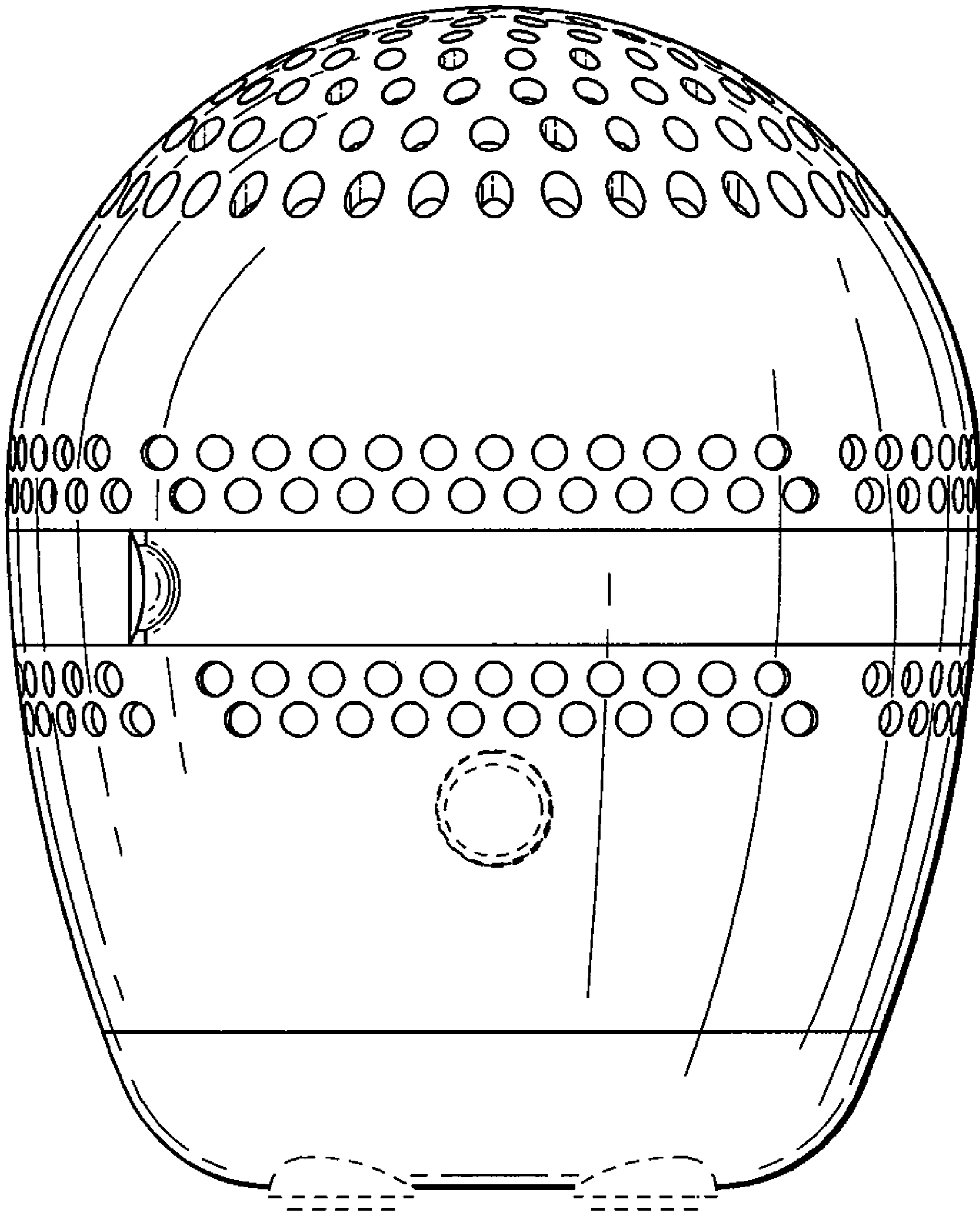


FIG. 6

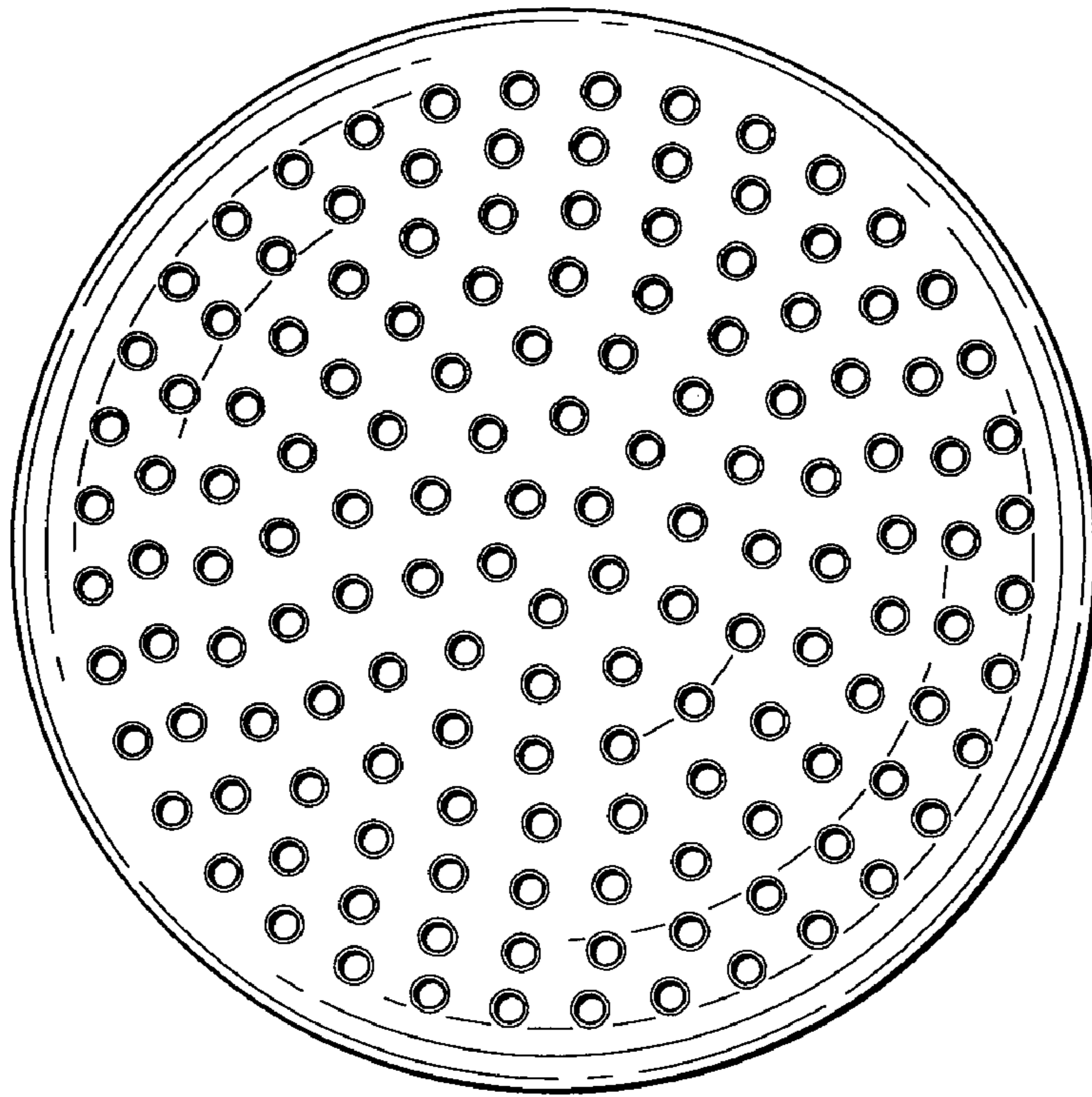


FIG. 7

