



US00D612472S

(12) **United States Design Patent**
Rossi

(10) **Patent No.:** **US D612,472 S**
(45) **Date of Patent:** **** Mar. 23, 2010**

(54) **DIFFUSING EVAPORATORS OF ACTIVE SUBSTANCES**

(75) Inventor: **Danilo Rossi**, Trento (IT)

(73) Assignee: **Zobe Holding SpA**, Trento (IT)

(**) Term: **14 Years**

(21) Appl. No.: **29/330,303**

(22) Filed: **Jan. 5, 2009**

(30) **Foreign Application Priority Data**

Jul. 3, 2008 (EM) 000963780

(51) **LOC (9) Cl.** **28-99**

(52) **U.S. Cl.** **D23/366**

(58) **Field of Classification Search** D23/355-369;
D28/5, 6; 261/DIG. 17, DIG. 42, DIG. 65,
261/DIG. 88, DIG. 89; 392/386, 390, 391,
392/392, 394, 395, 389, 393; 239/34, 35,
239/43-45, 53, 56, 57, 60, 326, 42, 50, 55
See application file for complete search history.

(56) **References Cited**

U.S. PATENT DOCUMENTS

5,038,394	A	*	8/1991	Hasegawa et al.	392/395
D335,530	S	*	5/1993	Schimanski	D23/366
D437,636	S	*	2/2001	Basaganas	D23/366
D440,291	S	*	4/2001	Wolpert et al.	D23/366
D447,550	S	*	9/2001	Basaganas	D23/366
D461,549	S	*	8/2002	Garcia	D23/366
D461,885	S	*	8/2002	Jordi	D23/366
D483,460	S	*	12/2003	Millan	D23/366

D489,123	S	*	4/2004	Baaganas Millan	D23/366
D508,558	S	*	8/2005	Wolpert et al.	D23/366
D510,423	S	*	10/2005	Caserta et al.	D23/366
D511,823	S	*	11/2005	Caserta et al.	D23/366
D516,691	S	*	3/2006	Caserta et al.	D23/366
D520,128	S	*	5/2006	Caserta et al.	D23/366
D539,407	S	*	3/2007	Zobe	D23/366
D544,950	S	*	6/2007	Zobe	D23/366

* cited by examiner

Primary Examiner—Sandra Snapp

(74) *Attorney, Agent, or Firm*—Ladas and Parry LLP

(57) **CLAIM**

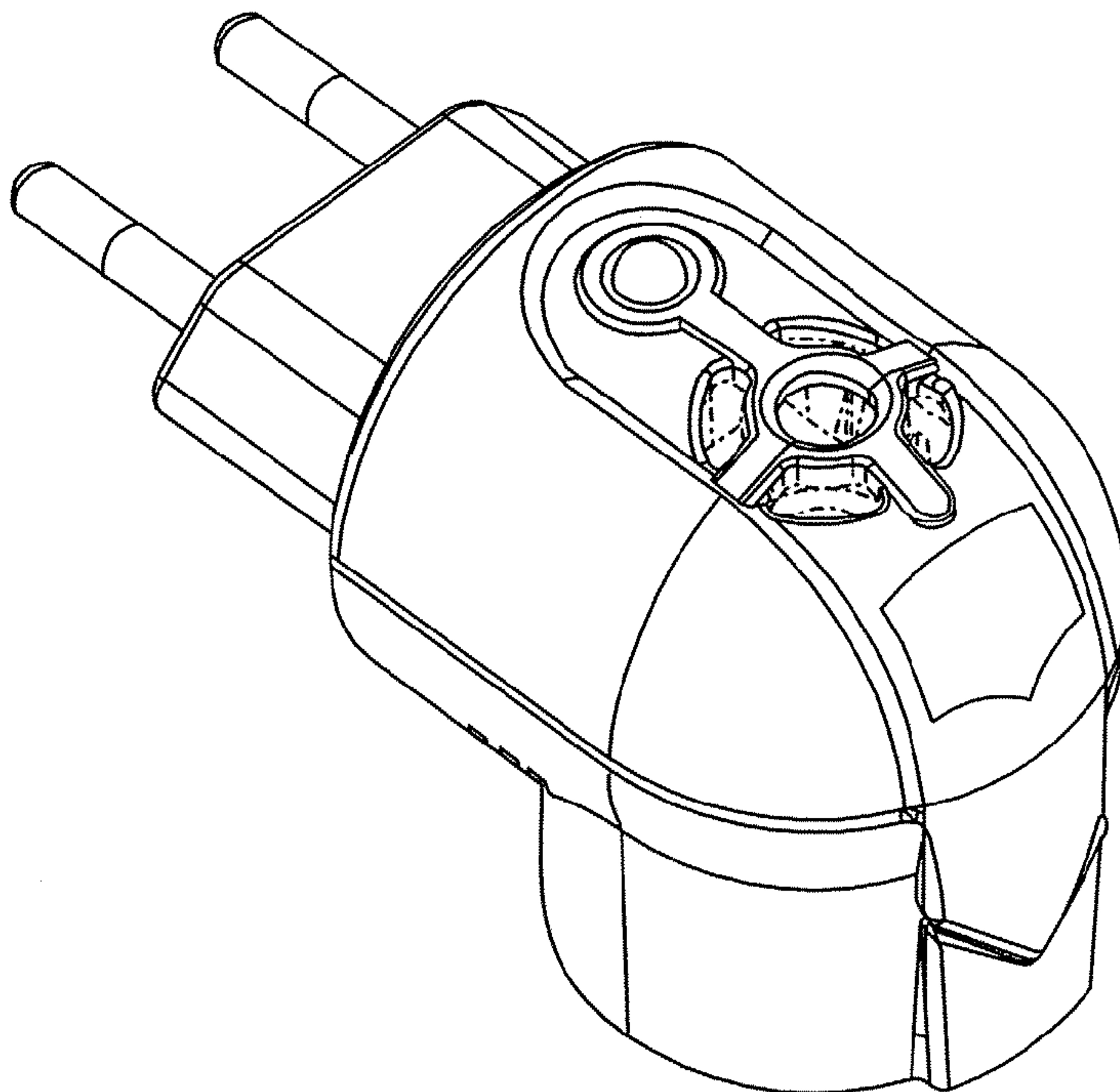
I claim the ornamental design for a diffusing evaporator of active substances, as shown.

DESCRIPTION

FIG. 1 is a perspective view a diffusing evaporator of active substances of my new design form the front and left;
FIG. 2 is a perspective view thereof from the rear and left;
FIG. 3 is a perspective view thereof from below;
FIG. 4 is a right side view thereof;
FIG. 5 is a front view thereof;
FIG. 6 is a top view thereof;
FIG. 7 is a right side view thereof;
FIG. 8 is a bottom view thereof; and,
FIG. 9 is a rear view thereof.

The broken lines shown in the drawings are for illustrative purposes only and form no part of the claimed design.

1 Claim, 9 Drawing Sheets



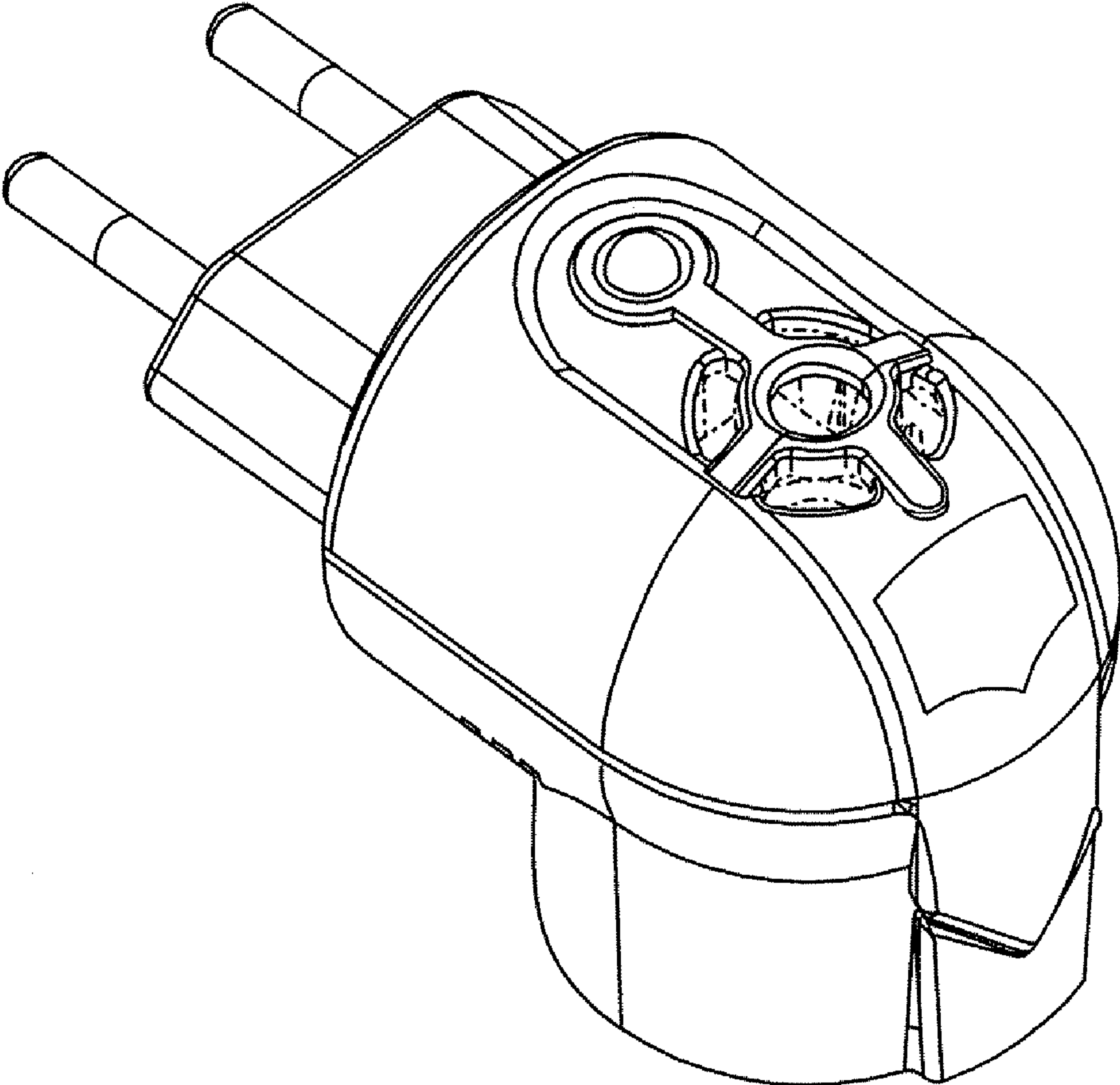


FIG. 1

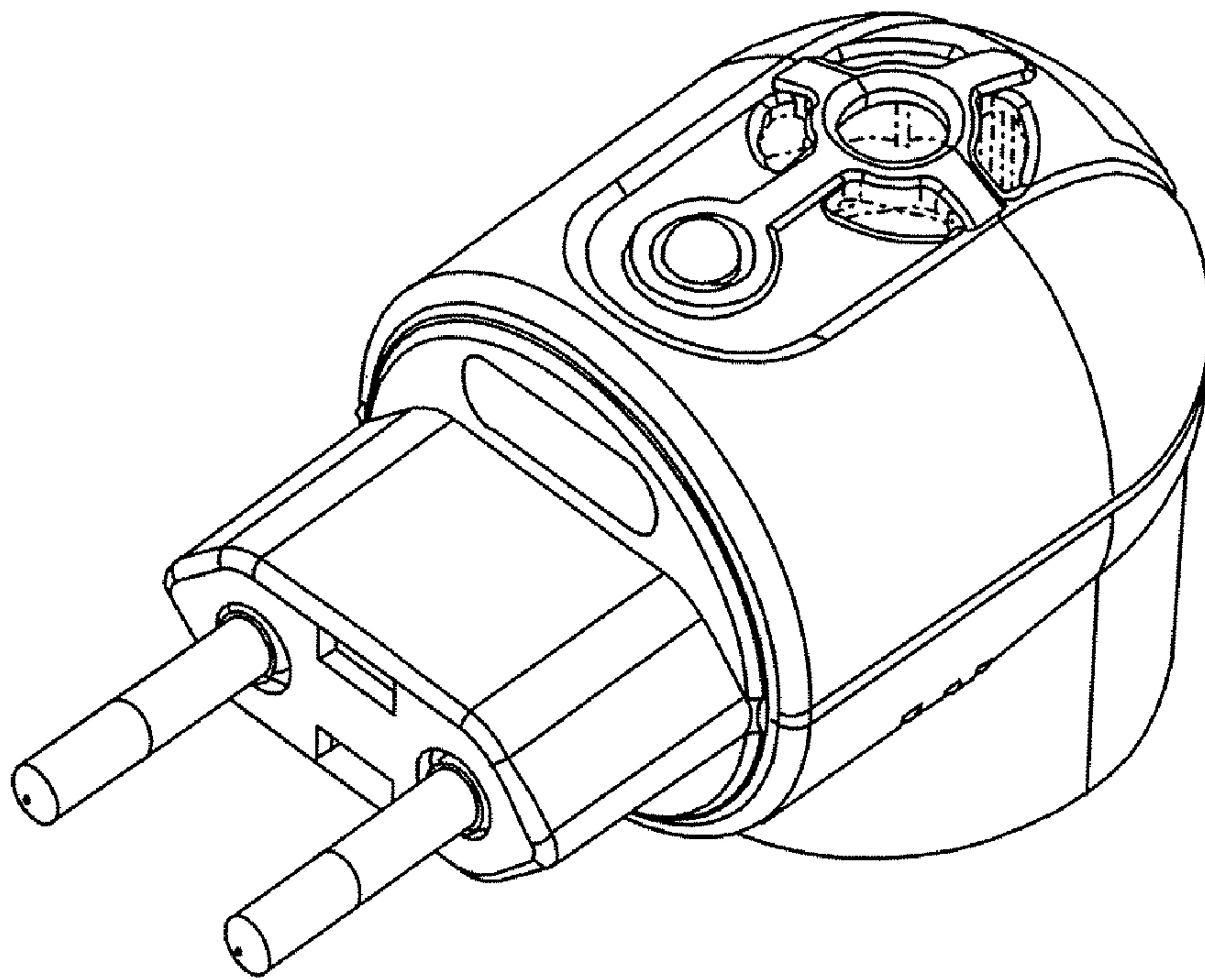


FIG. 2

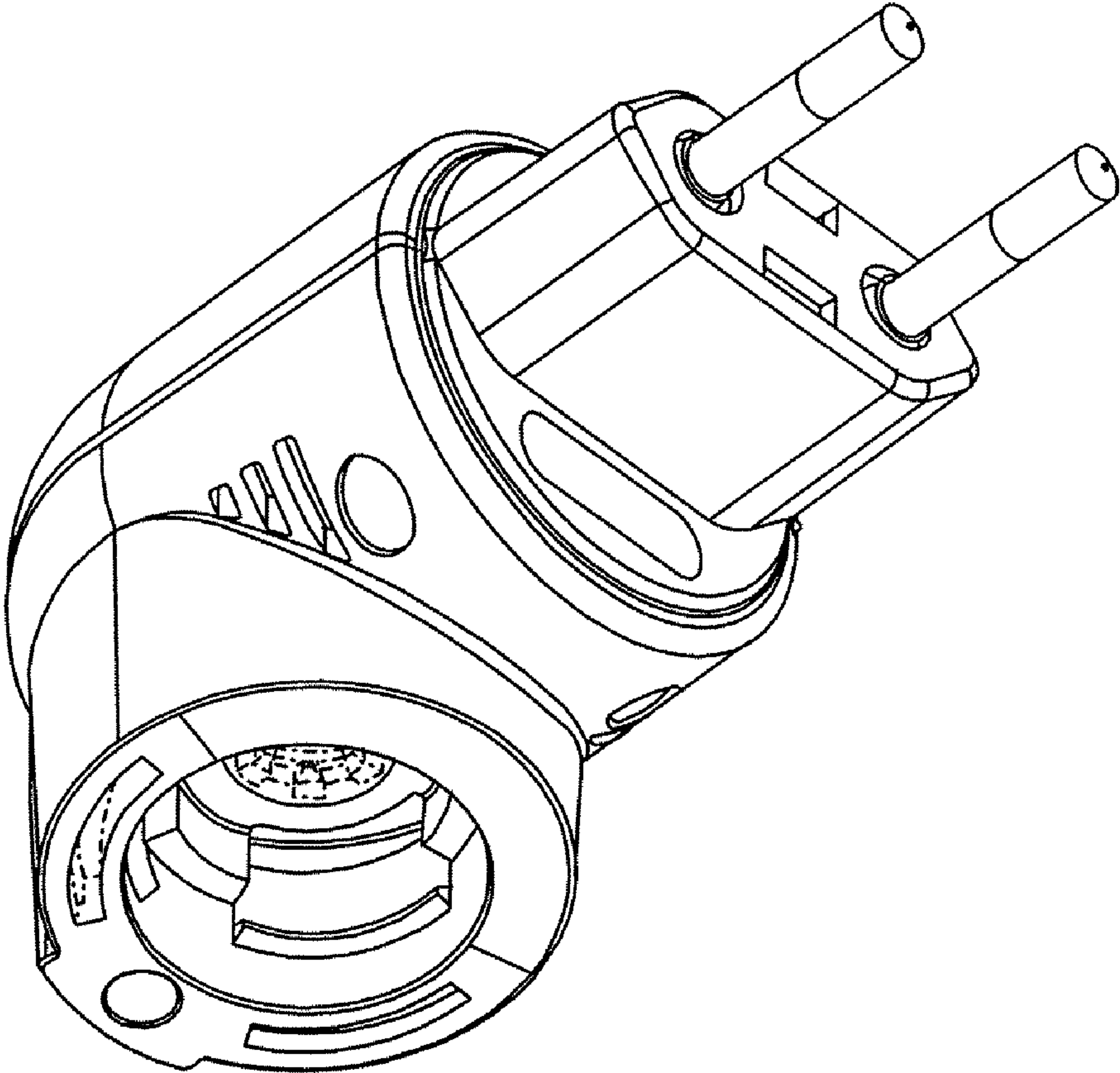


FIG. 3

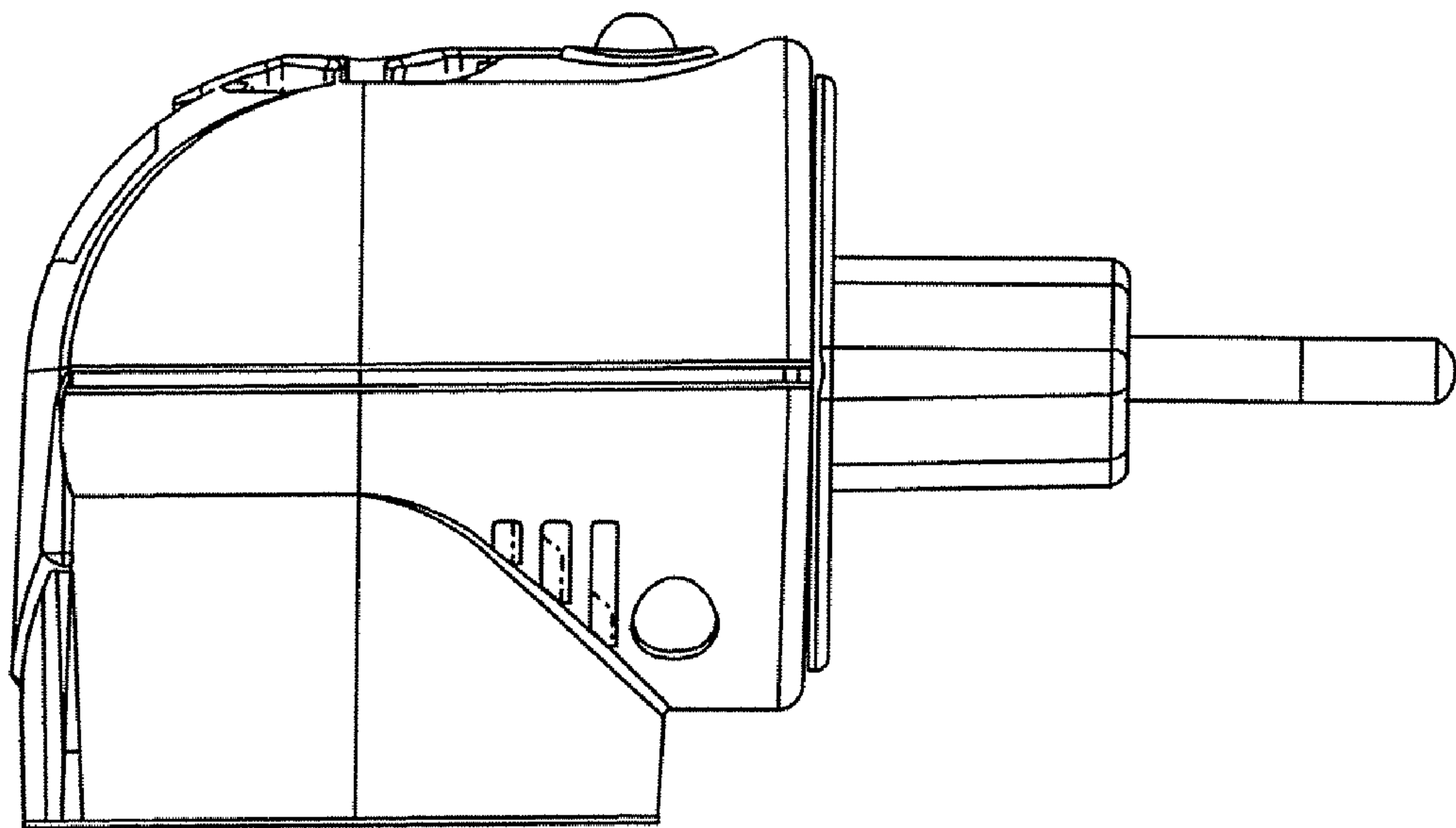


FIG. 4

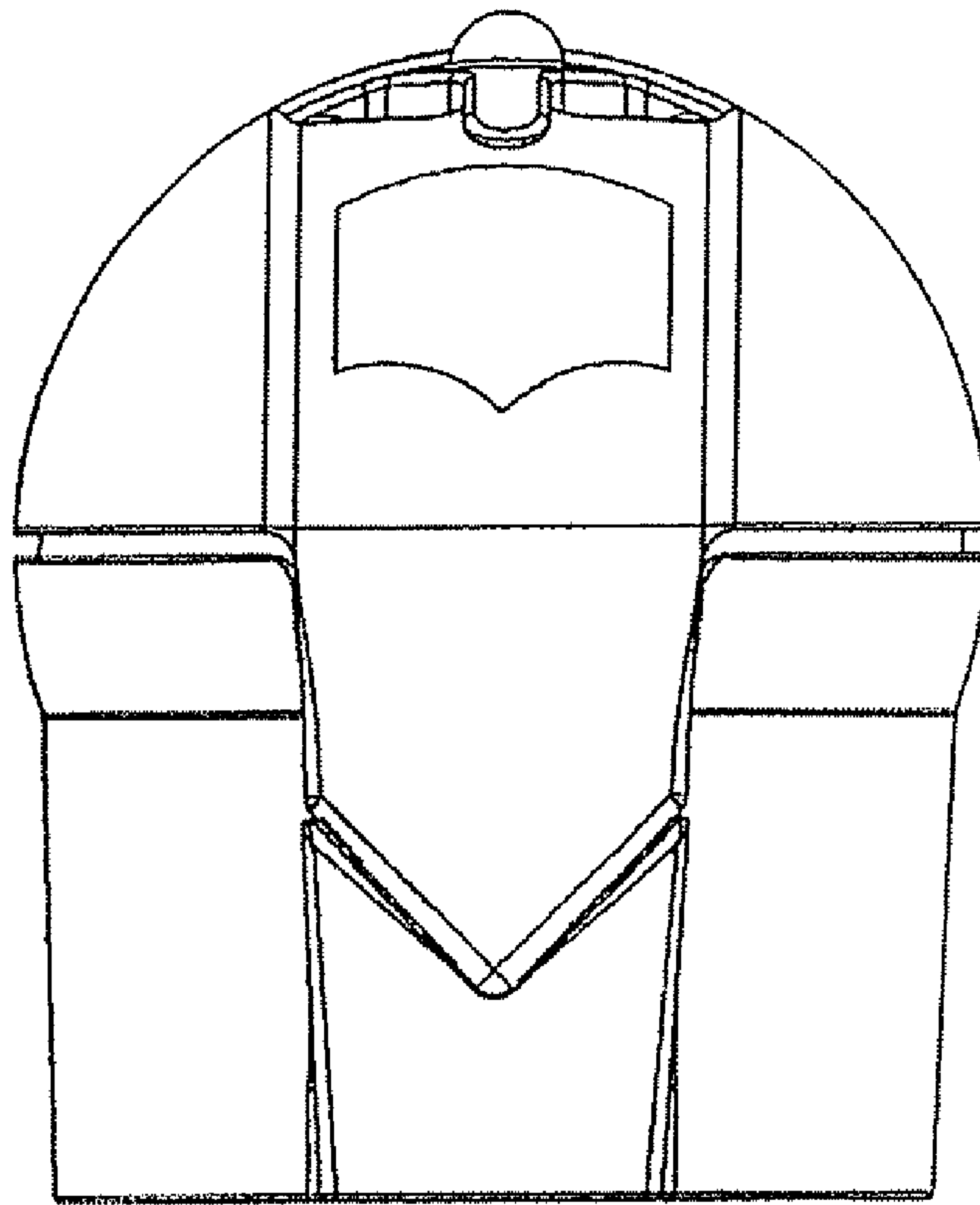


FIG. 5

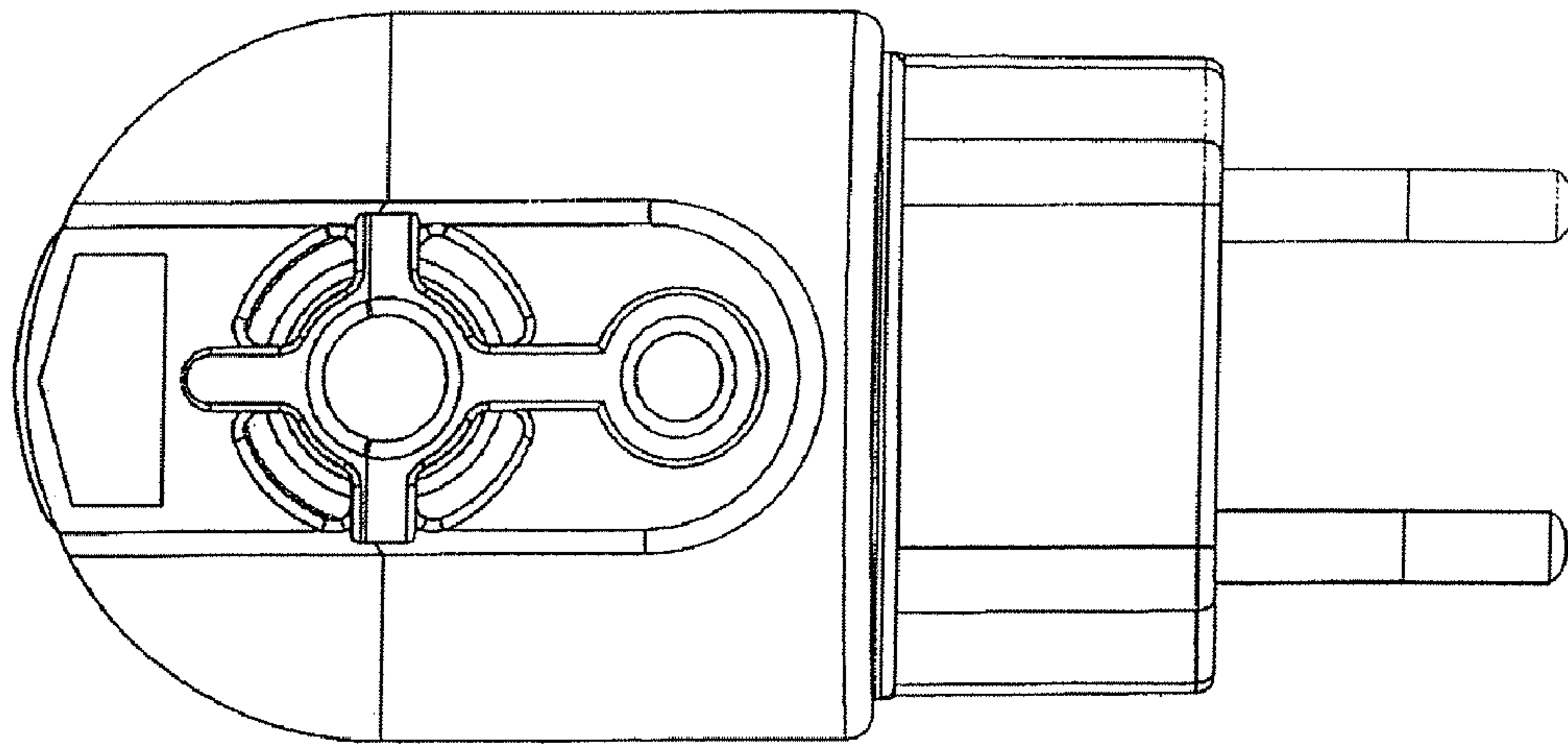


FIG. 6

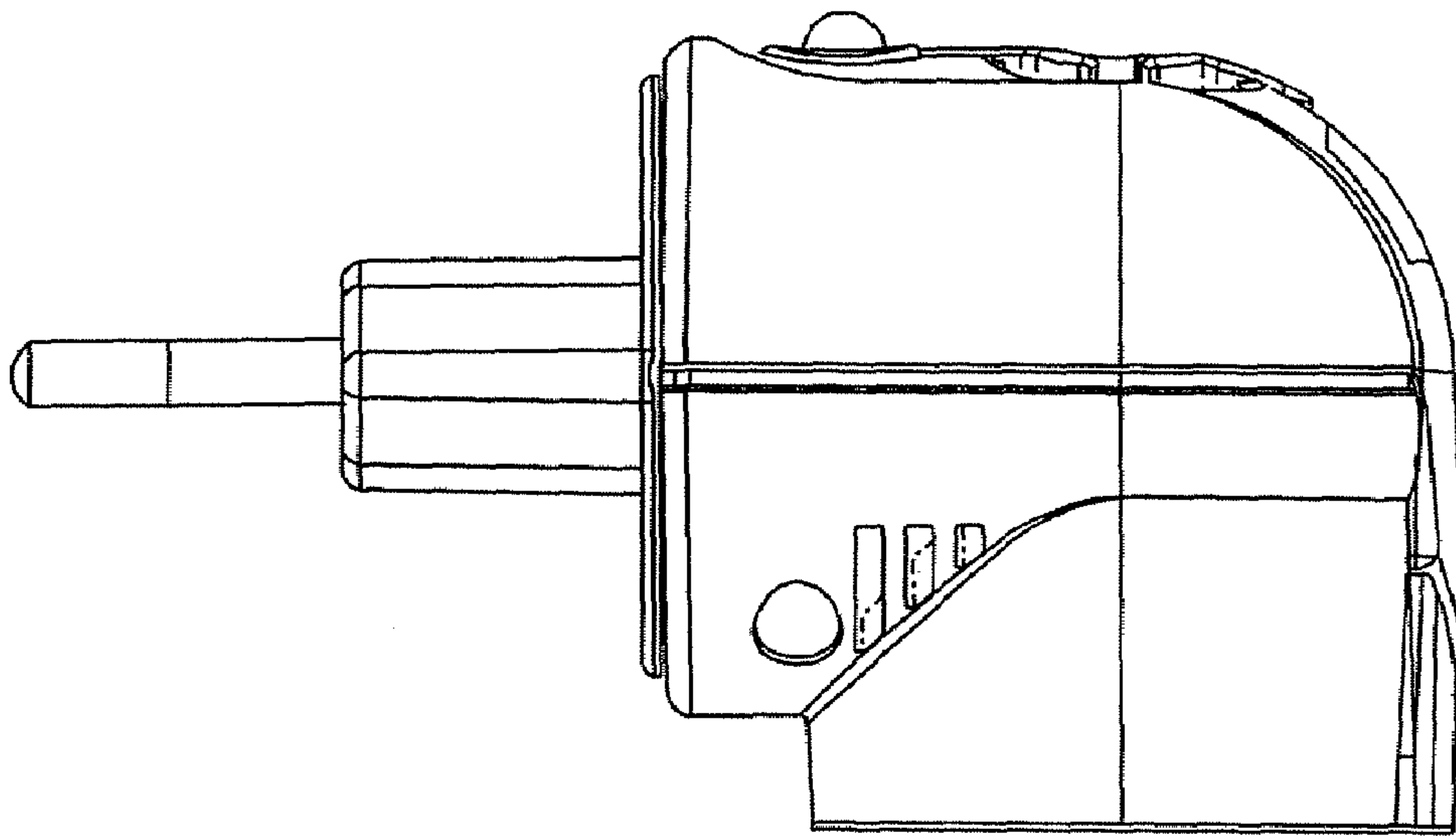


FIG. 7

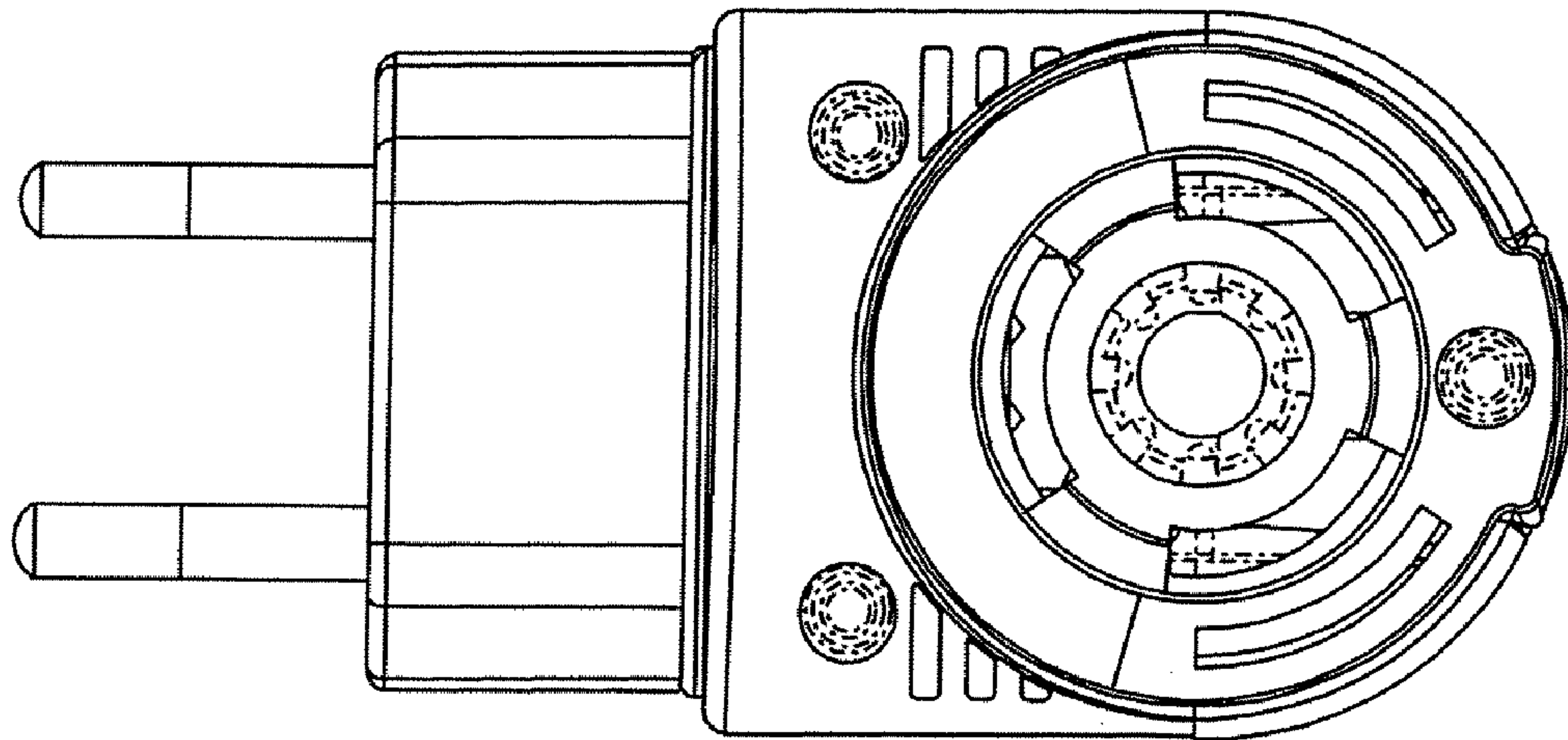


FIG. 8

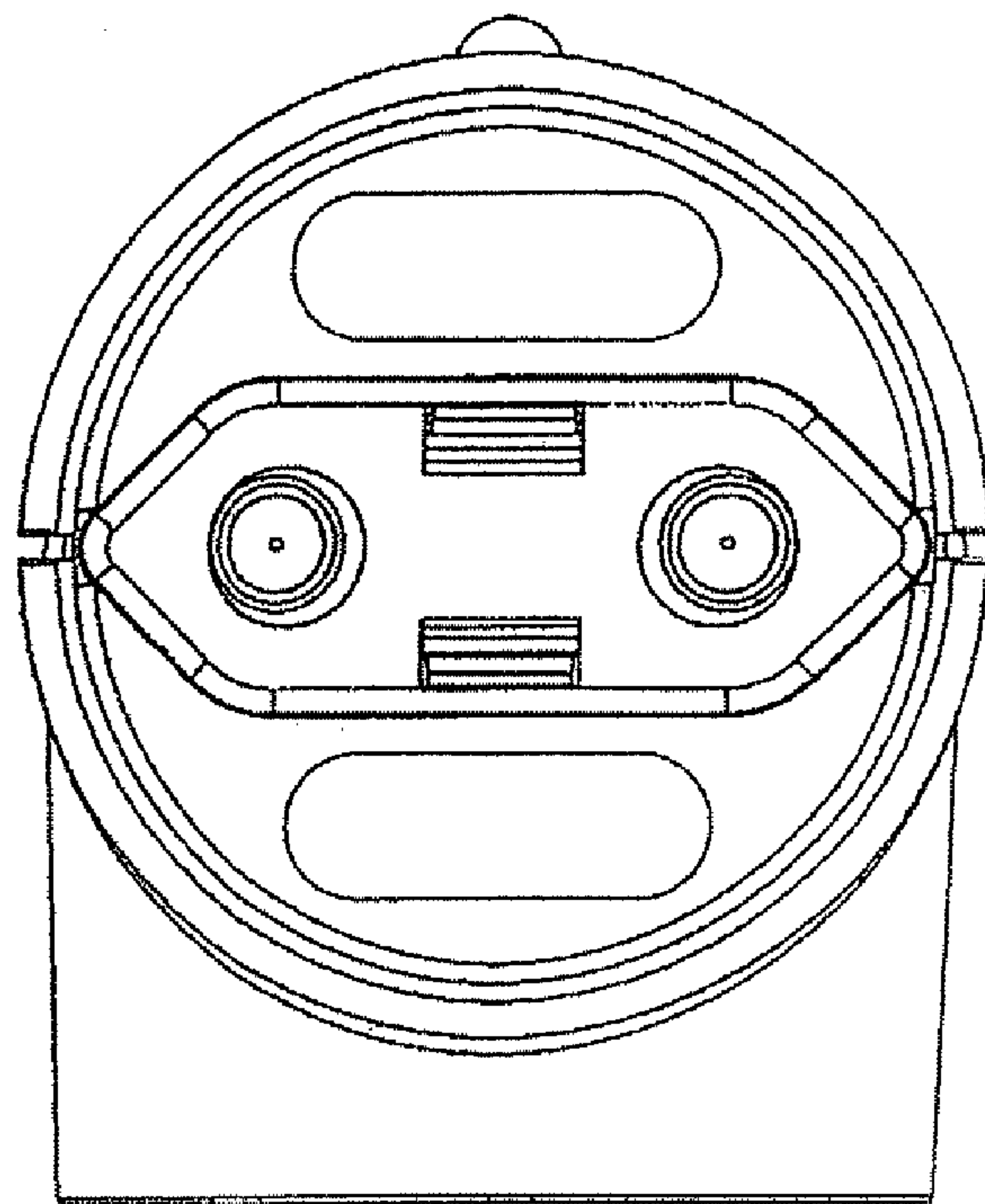


FIG. 9