



US00D612470S

(12) **United States Design Patent**
Aoyama et al.

(10) **Patent No.:** **US D612,470 S**
(45) **Date of Patent:** **** Mar. 23, 2010**

(54) **POWER ATOMIZER**

(75) Inventors: **Ryohey Aoyama**, Togane (JP);
Kazuhiro Isayama, Togane (JP)

(73) Assignee: **Maruyama Mfg. Co., Inc.**, Tokyo (JP)

(**) Term: **14 Years**

(21) Appl. No.: **29/330,764**

(22) Filed: **Jan. 14, 2009**

(30) **Foreign Application Priority Data**

Jul. 24, 2008 (JP) D2008-019059

(51) **LOC (9) Cl.** **23-04**

(52) **U.S. Cl.** **D23/355**

(58) **Field of Classification Search** D23/355-365,
D23/352, 366, 369, 332, 333, 335, 336, 342,
D23/351, 213; 422/120, 122; 55/356, 473,
55/504; 96/97; D14/188, 170-172, 214,
D14/496; 261/DIG. 17, DIG. 65, DIG. 88,
261/DIG. 31; 239/351; D15/7

See application file for complete search history.

(56) **References Cited**

U.S. PATENT DOCUMENTS

1,611,846 A * 12/1926 Anderson 239/351
D196,886 S * 11/1963 Cordis D15/7
D197,494 S * 2/1964 Cordis D15/7
D351,901 S * 10/1994 Boruch et al. D23/332
5,376,338 A * 12/1994 Zlotnik 422/122
D361,119 S * 8/1995 Hawks, Jr. D23/213

D409,737 S * 5/1999 Nilsson D23/332
D565,151 S * 3/2008 Brown D23/213
D572,353 S * 7/2008 Xu D23/355
D574,940 S * 8/2008 Quinn et al. D23/359
D577,426 S * 9/2008 Huang D23/360
D604,330 S * 11/2009 Duong et al. D15/7
D604,745 S * 11/2009 Sinico D15/7

* cited by examiner

Primary Examiner—T. Chase Nelson

Assistant Examiner—David G Muller

(74) *Attorney, Agent, or Firm*—Leydig, Voit & Mayer, Ltd.

(57) **CLAIM**

The ornamental design for a power atomizer, as shown and described.

DESCRIPTION

FIG. 1 is a front view of a power atomizer of the present invention.

FIG. 2 is a rear view of the power atomizer of FIG. 1.

FIG. 3 is a top plan view of the power atomizer of FIG. 1.

FIG. 4 is a bottom view of the power atomizer of FIG. 1.

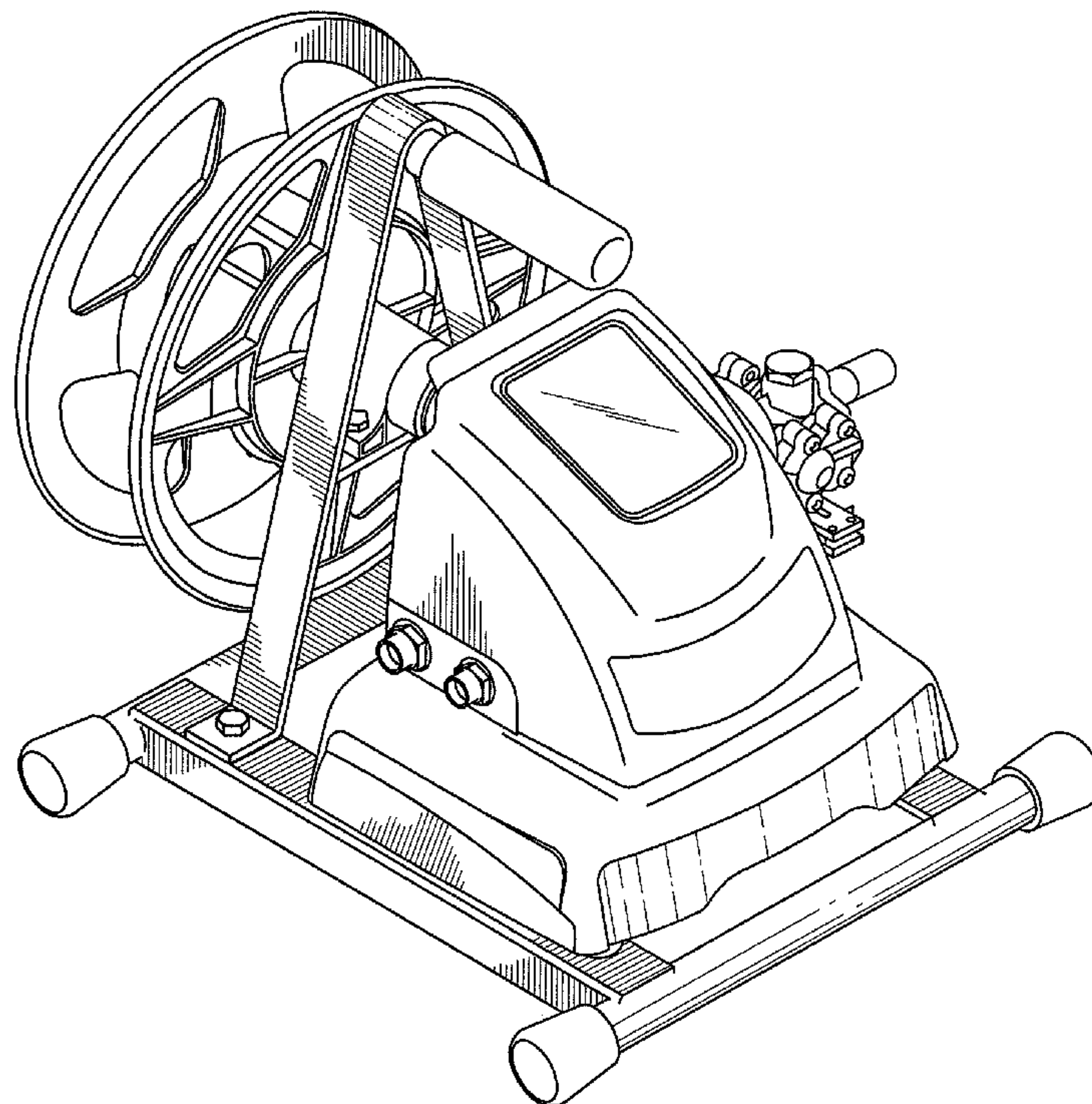
FIG. 5 is a right side view of the power atomizer of FIG. 1.

FIG. 6 is a left side view of the power atomizer of FIG. 1.

FIG. 7 is a front perspective view of the power atomizer of FIG. 1 having shading; and,

FIG. 8 is a rear perspective view of the power atomizer of FIG. 1.

1 Claim, 8 Drawing Sheets



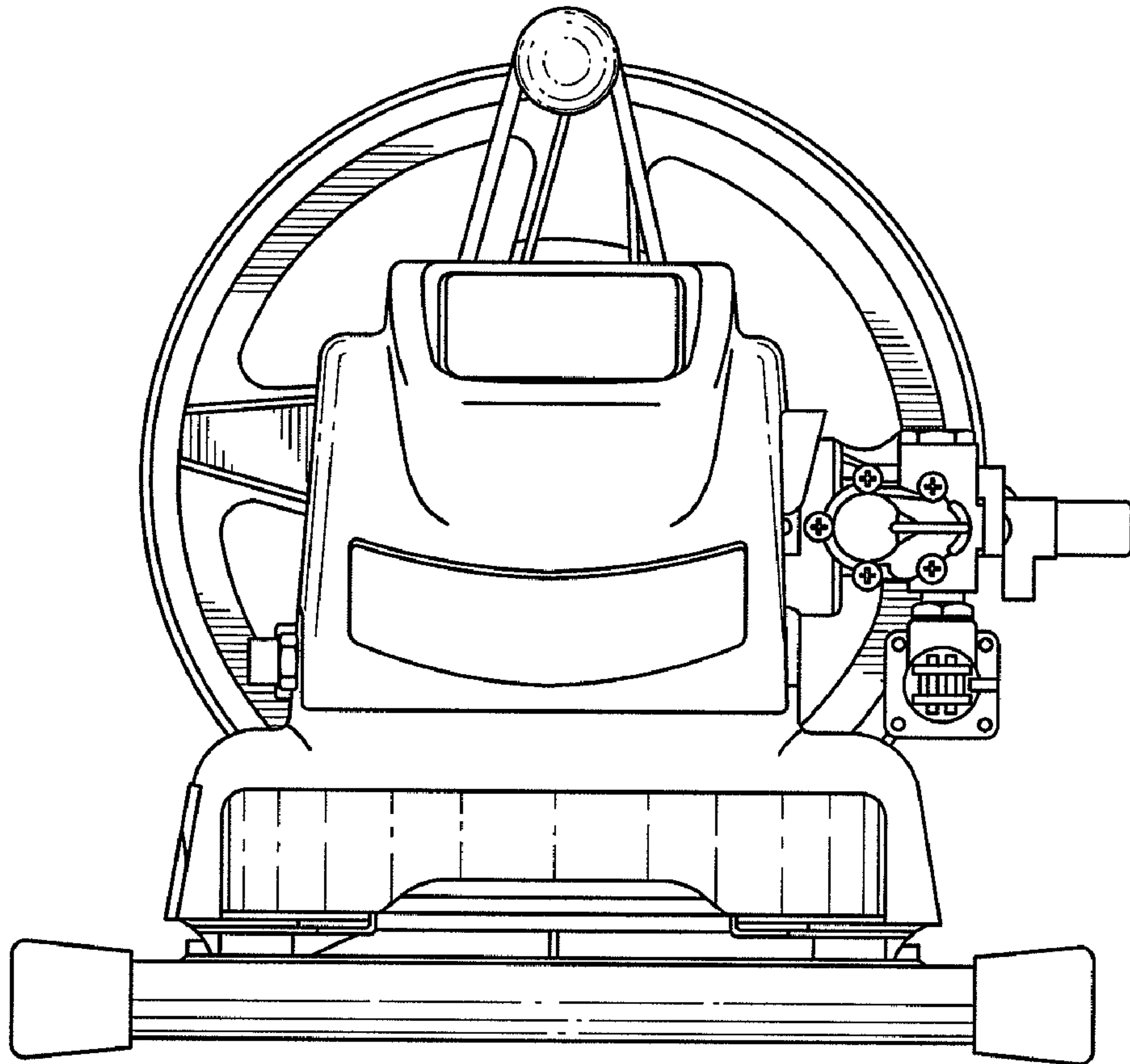


FIG. 1

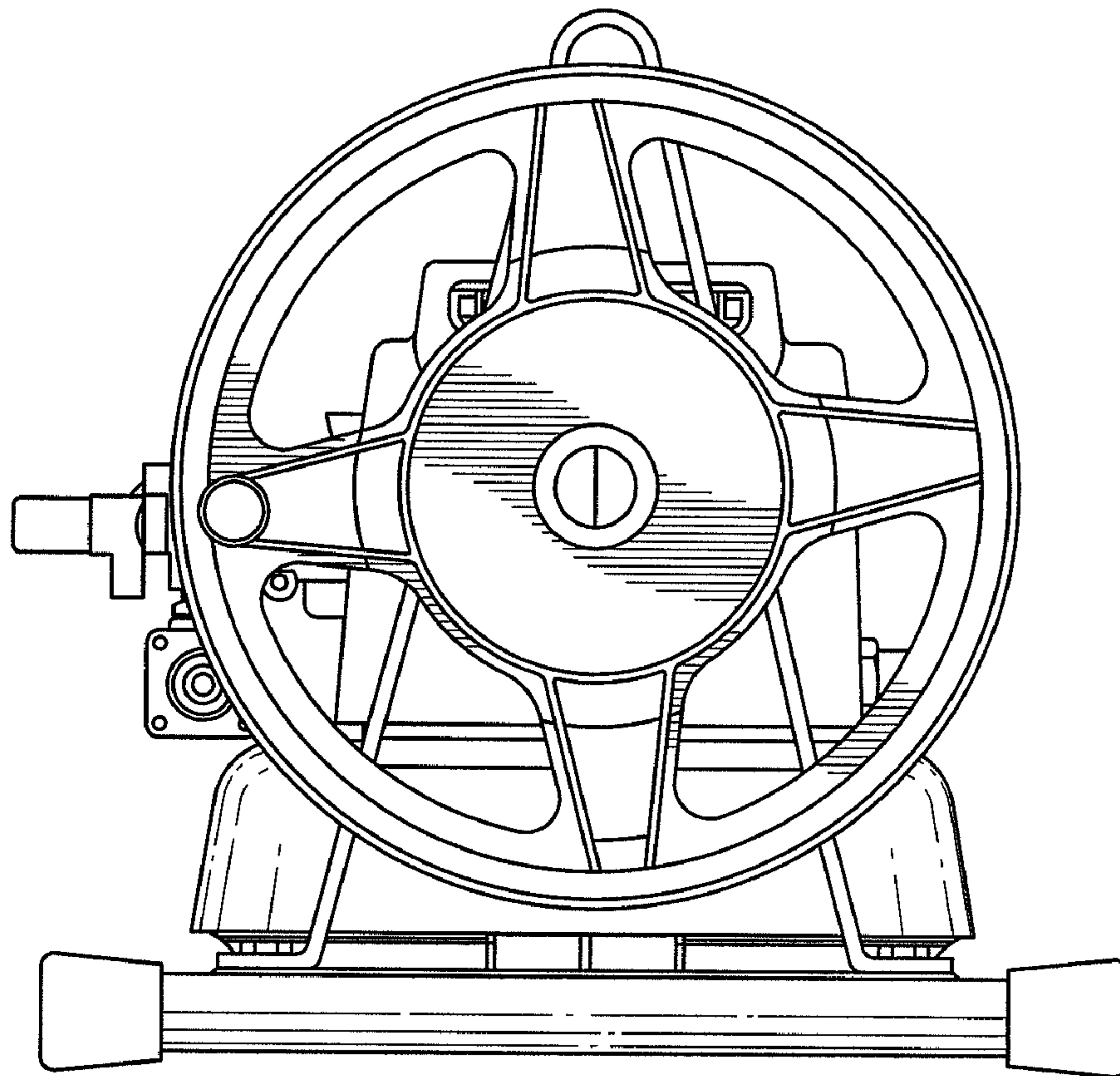


FIG. 2

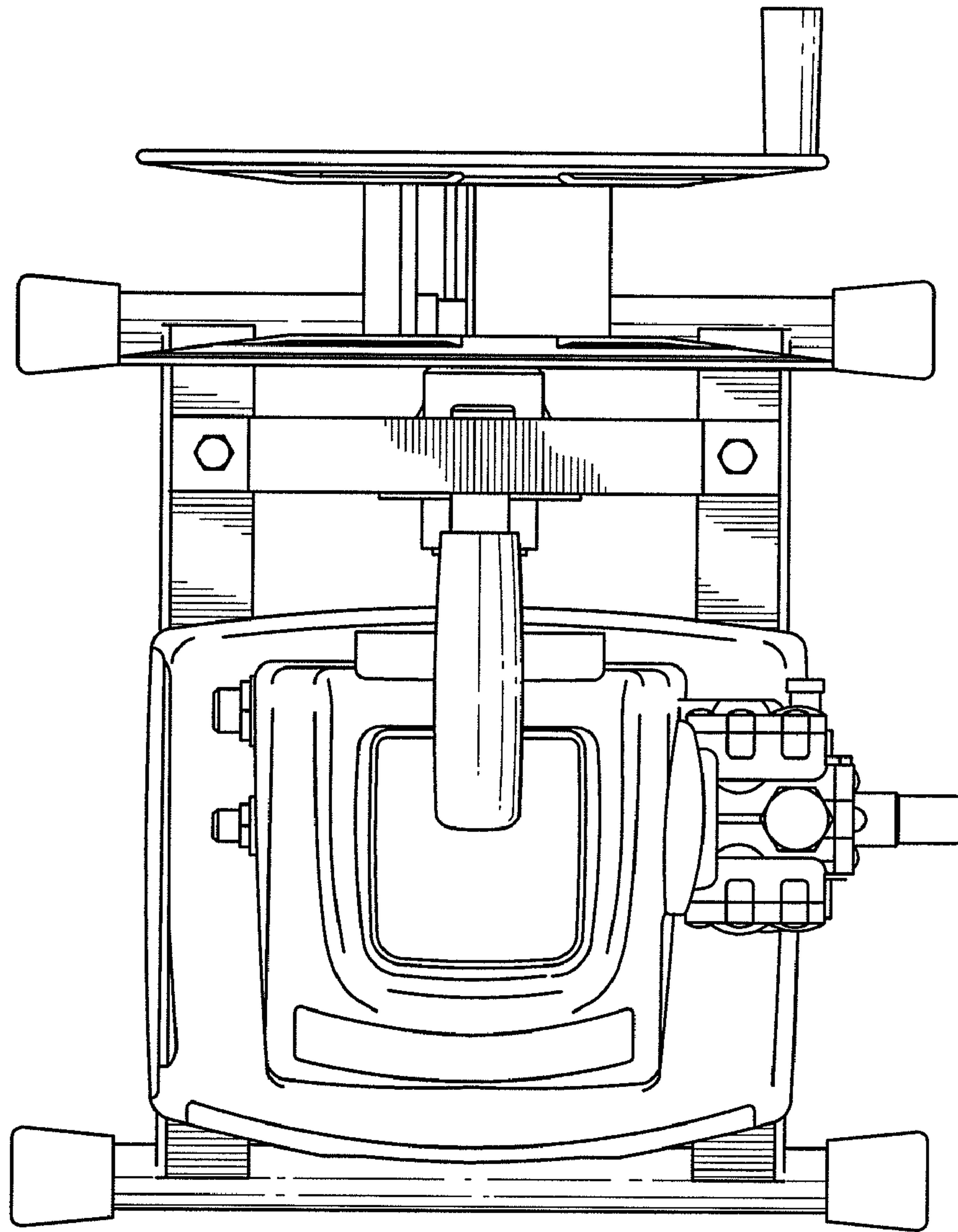


FIG. 3

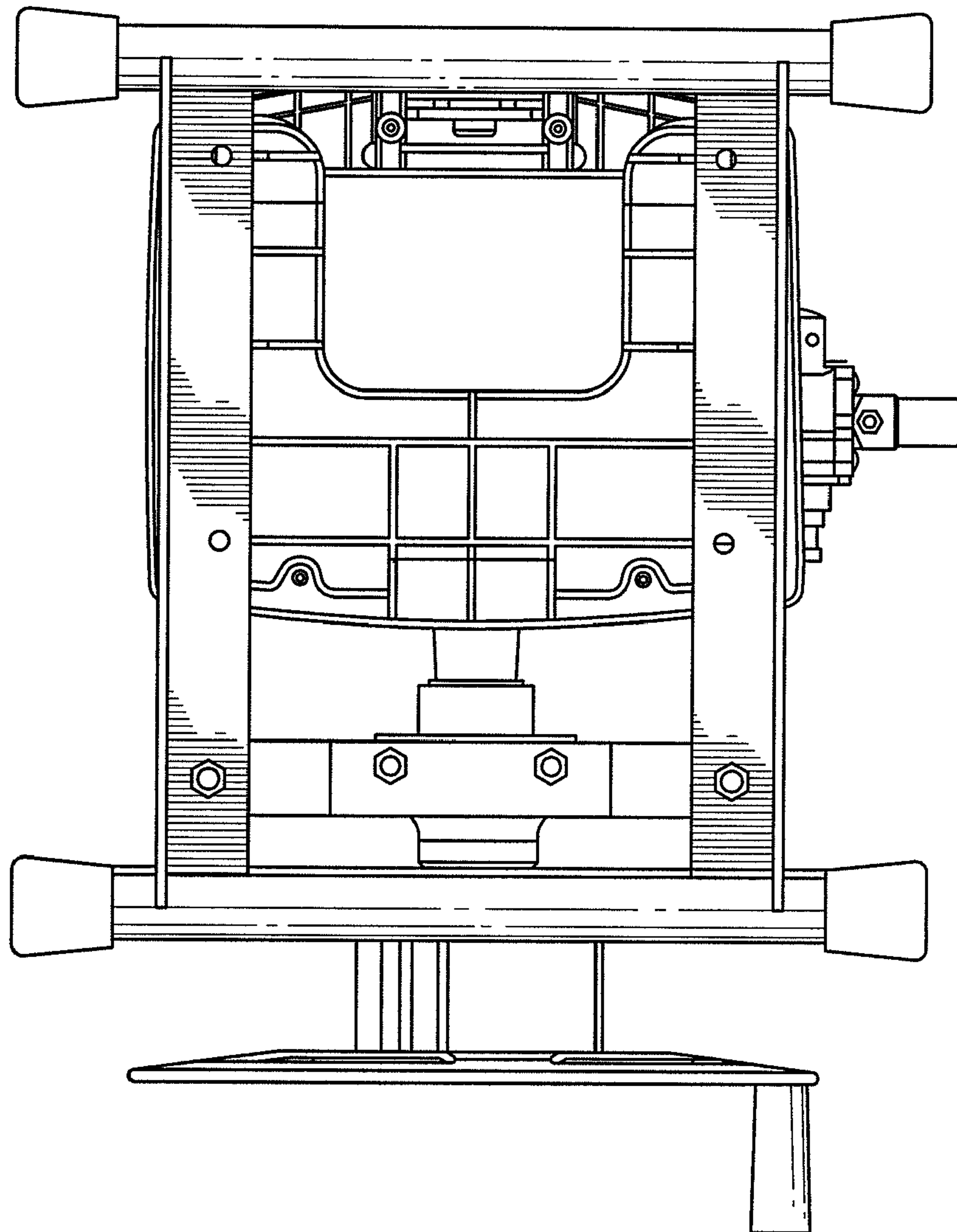


FIG.4

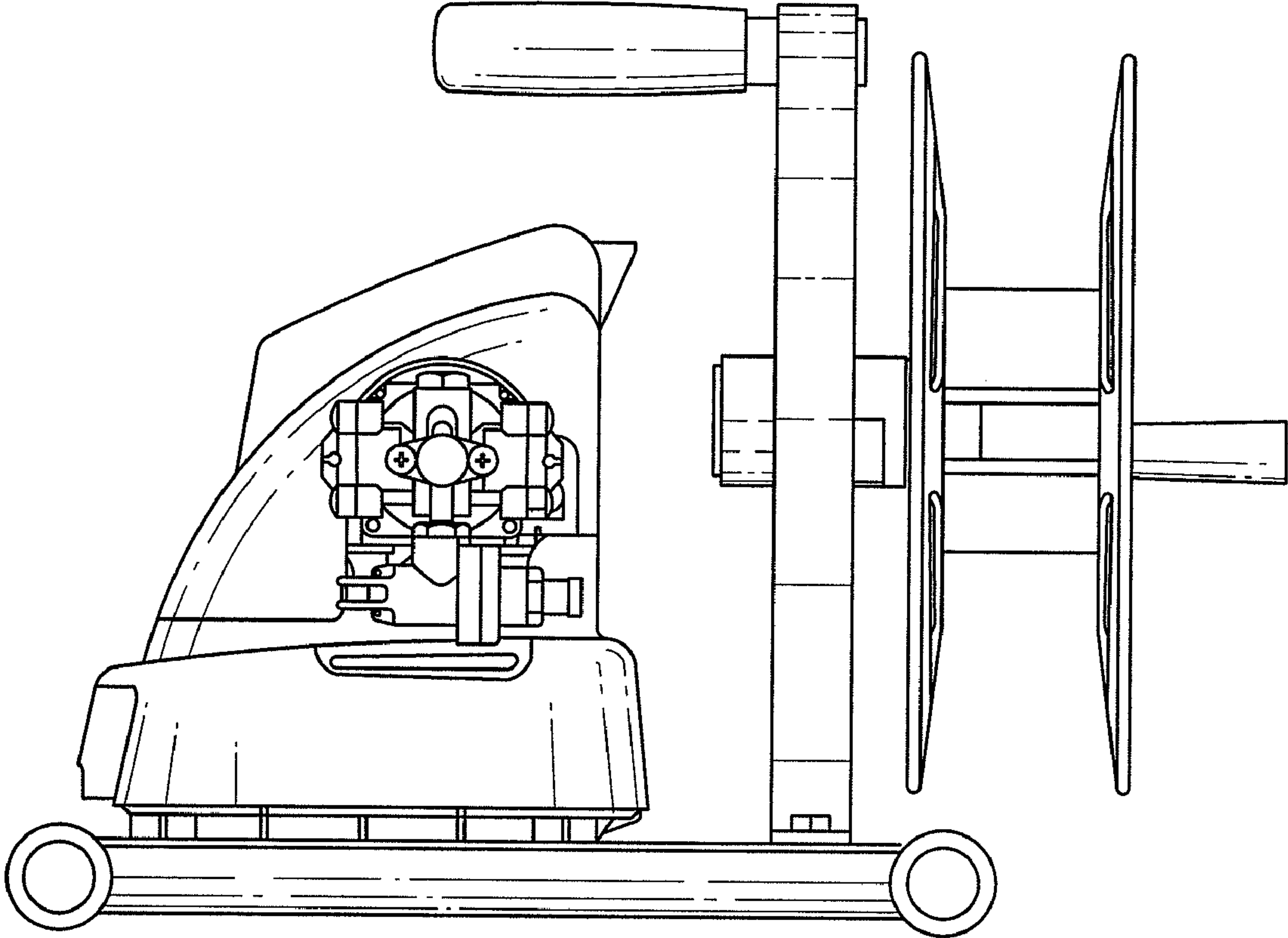


FIG.5

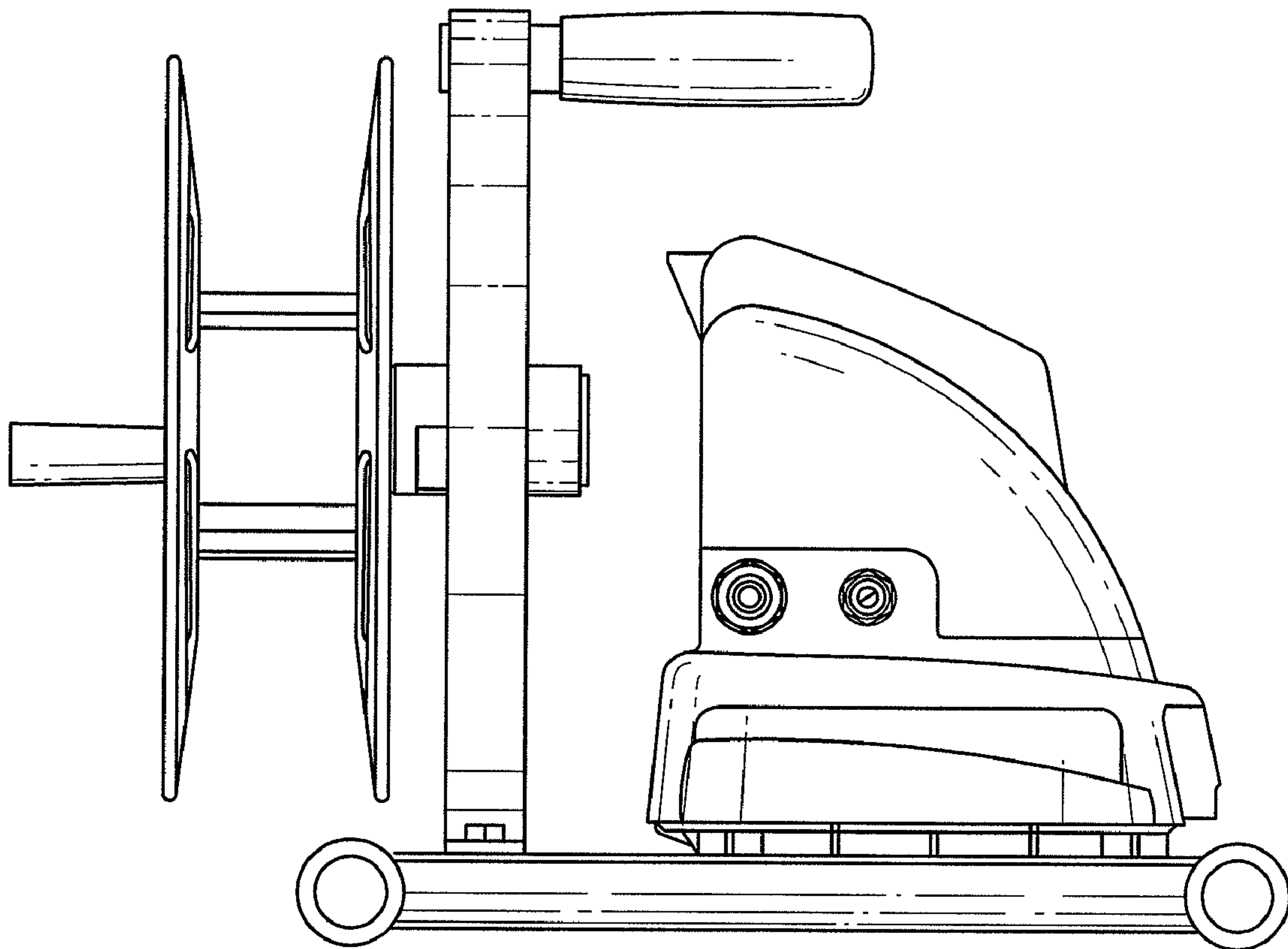


FIG. 6

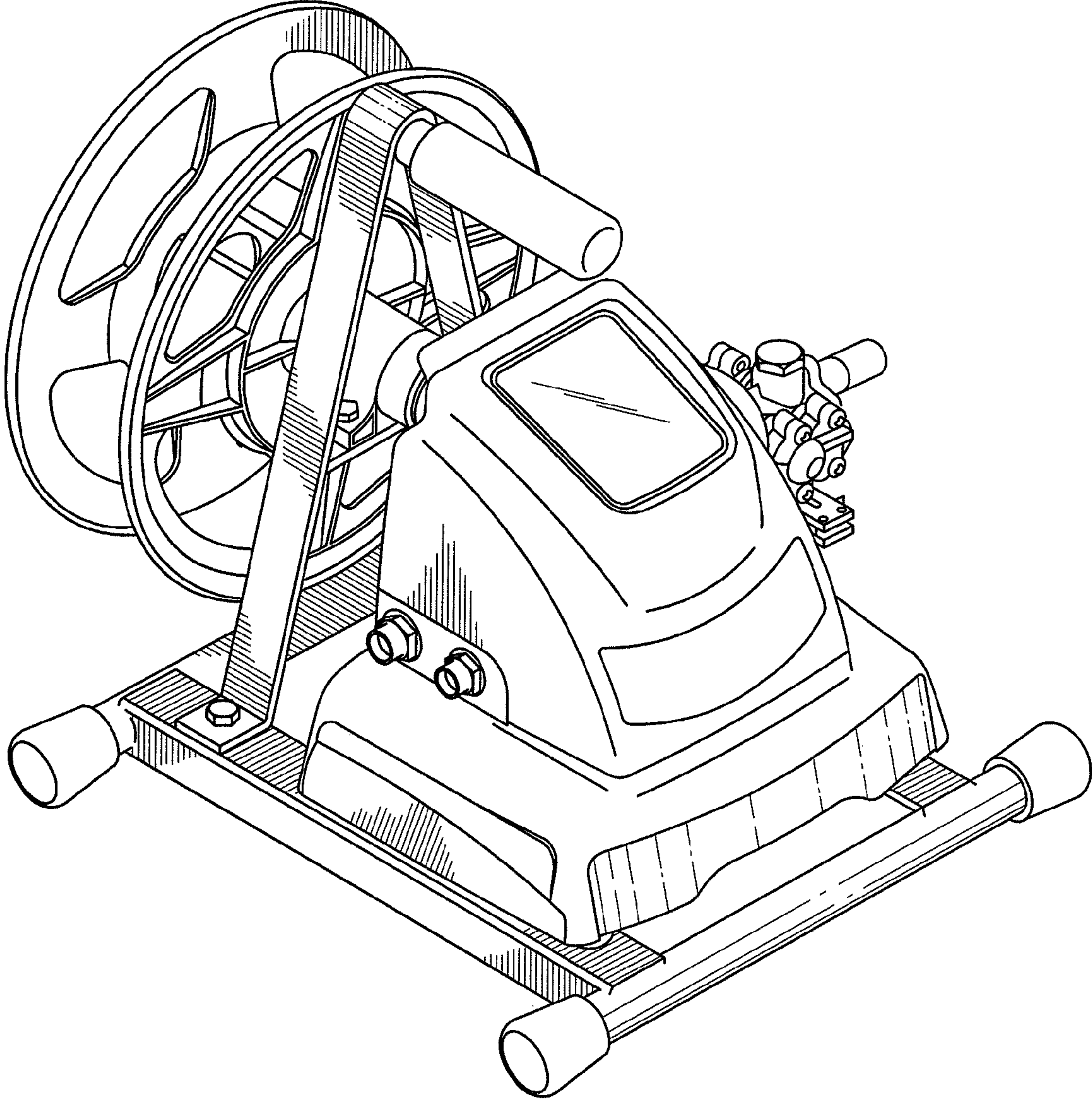


FIG. 7

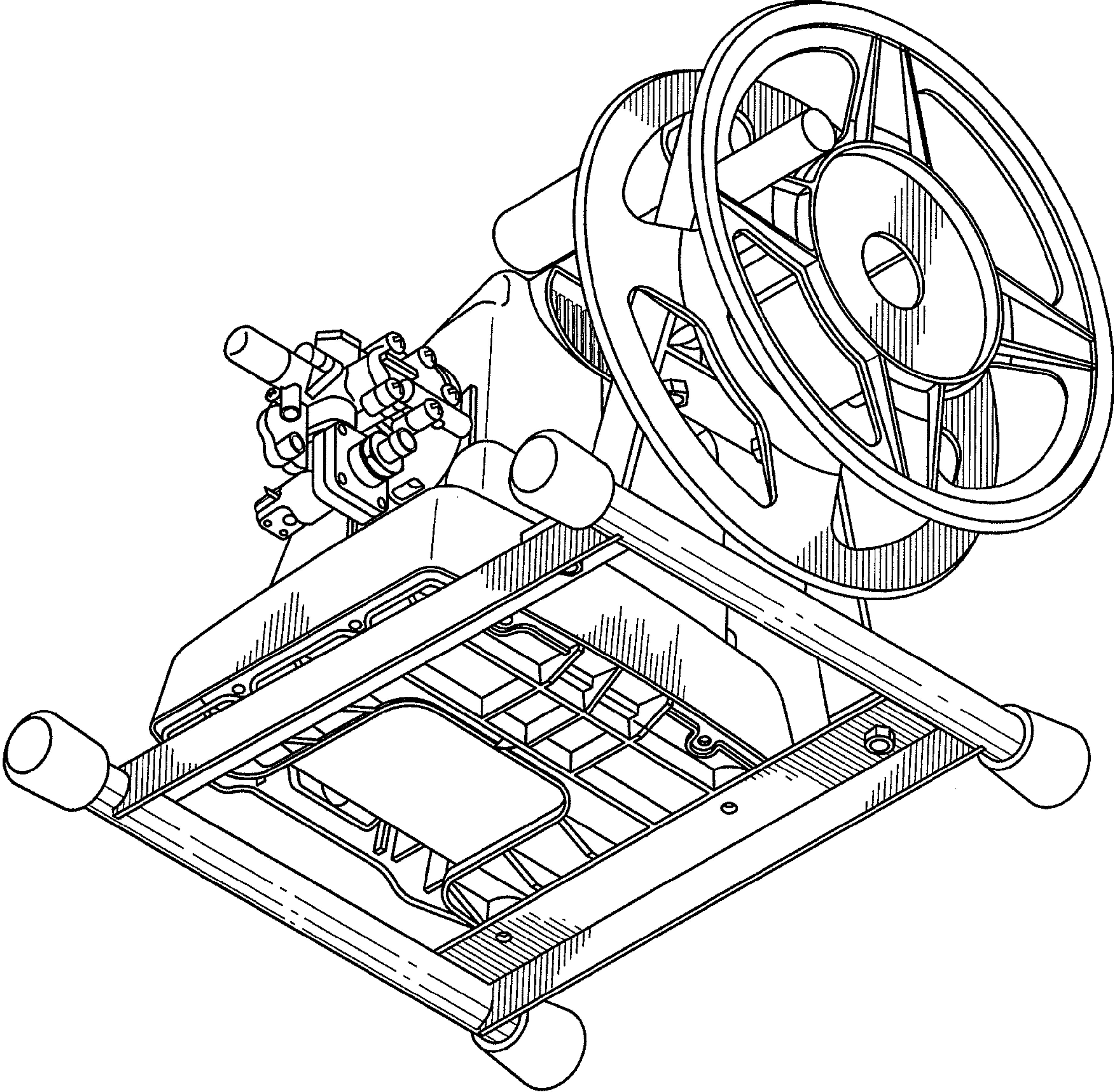


FIG. 8