



US00D612469S

(12) **United States Design Patent**
Nagahori et al.

(10) **Patent No.:** **US D612,469 S**
(45) **Date of Patent:** **** Mar. 23, 2010**

(54) **AIR CONDITIONER**

(75) Inventors: **Masataka Nagahori**, Chiyoda-Ku (JP);
Takanori Miyake, Chiyoda-Ku (JP);
Sou Nakai, Chiyoda-Ku (JP); **Shinji Yamana**, Chiyoda-Ku (JP)

(73) Assignee: **Mitsubishi Electric Corporation**,
Tokyo (JP)

(**) Term: **14 Years**

(21) Appl. No.: **29/338,590**

(22) Filed: **Jun. 15, 2009**

(30) **Foreign Application Priority Data**

Dec. 18, 2008 (JP) 2008-032162

(51) **LOC (9) Cl.** **23-04**

(52) **U.S. Cl.** **D23/351**

(58) **Field of Classification Search** D23/351–354;
312/236; 62/259.1, 259.4, 262–263, 304;
454/330–331, 349–350

See application file for complete search history.

(56) **References Cited**

U.S. PATENT DOCUMENTS

D426,626 S *	6/2000	Nonaka	D23/351
D465,016 S *	10/2002	Nanjo et al.	D23/351
D502,255 S *	2/2005	Kim	D23/351
D529,158 S *	9/2006	Ueno et al.	D23/351
D531,292 S *	10/2006	Kim et al.	D23/351
D553,722 S *	10/2007	Seki et al.	D23/351
D553,726 S *	10/2007	Niki	D23/351
D556,879 S *	12/2007	Lee	D23/351
D568,975 S *	5/2008	Lim	D23/351
D570,463 S *	6/2008	Seki	D23/351

D580,038 S *	11/2008	Seki et al.	D23/351
D580,535 S *	11/2008	Chun et al.	D23/351
D584,806 S *	1/2009	Oh et al.	D23/351

* cited by examiner

Primary Examiner—Brian N Vinson

(74) *Attorney, Agent, or Firm*—Sughrue Mion, PLLC

(57) **CLAIM**

The ornamental design for an air conditioner, as shown and described.

DESCRIPTION

FIG. 1 is a front, bottom and right side perspective view of an air conditioner, showing my new design;

FIG. 2 is a front elevational view thereof;

FIG. 3 is a rear elevational view thereof;

FIG. 4 is a top plan view thereof;

FIG. 5 is a bottom plan view thereof;

FIG. 6 is a right side elevational view thereof;

FIG. 7 is a left side elevational view thereof;

FIG. 8 is an enlarged cross-sectional view thereof; taken along line 8—8 of FIG. 2, with the internal system omitted;

FIG. 9 is an enlarged cross-sectional view; taken along line 8—8 of FIG. 2, with the internal system omitted with the louvers opened; and,

FIG. 10 is a front, bottom and right side perspective view with the louvers opened.

The broken line disclosure in the views is understood to represent portions of the article in which the claimed design is embodied, but which form no part of the claimed design.

1 Claim, 4 Drawing Sheets

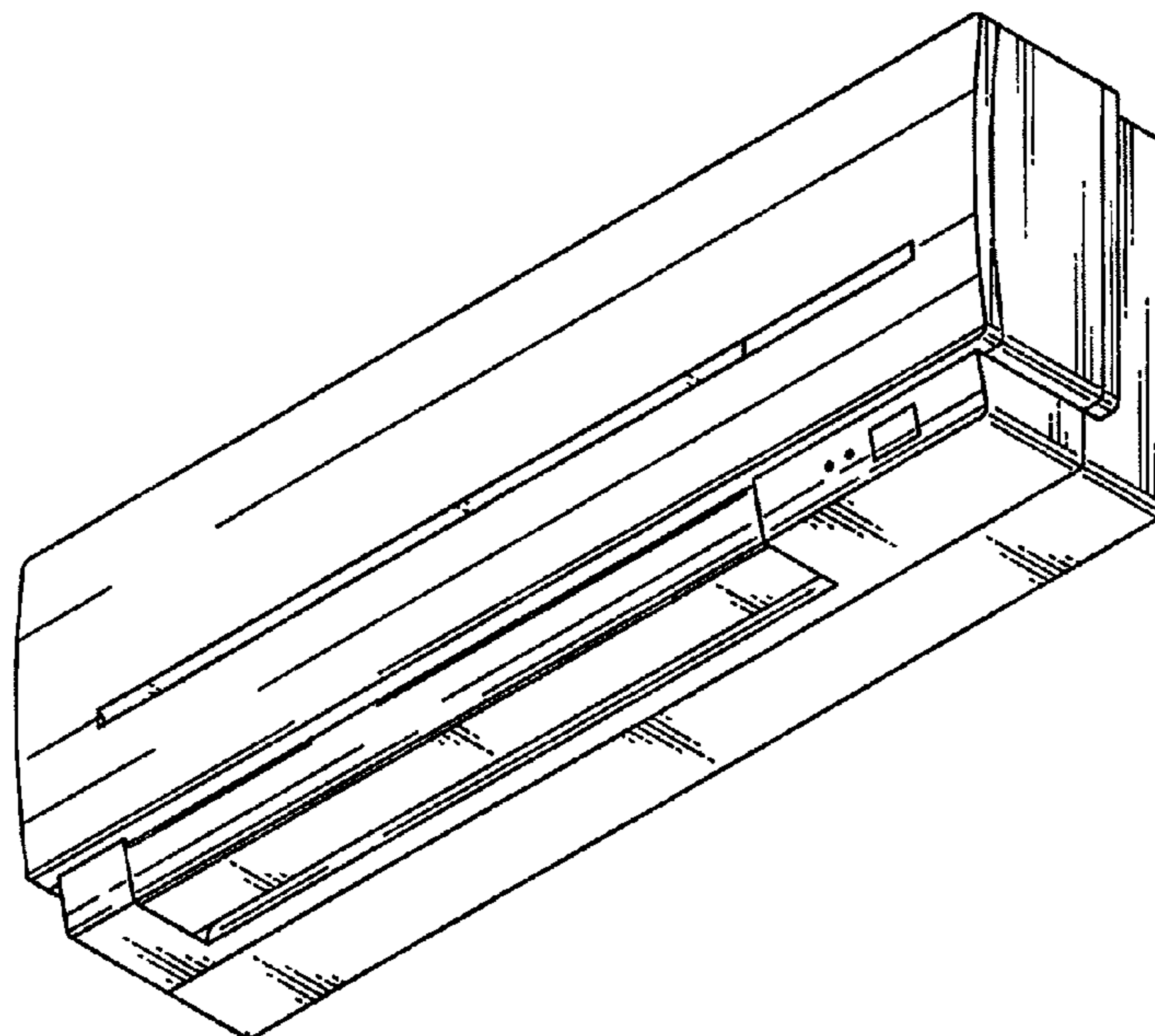


FIG. 1

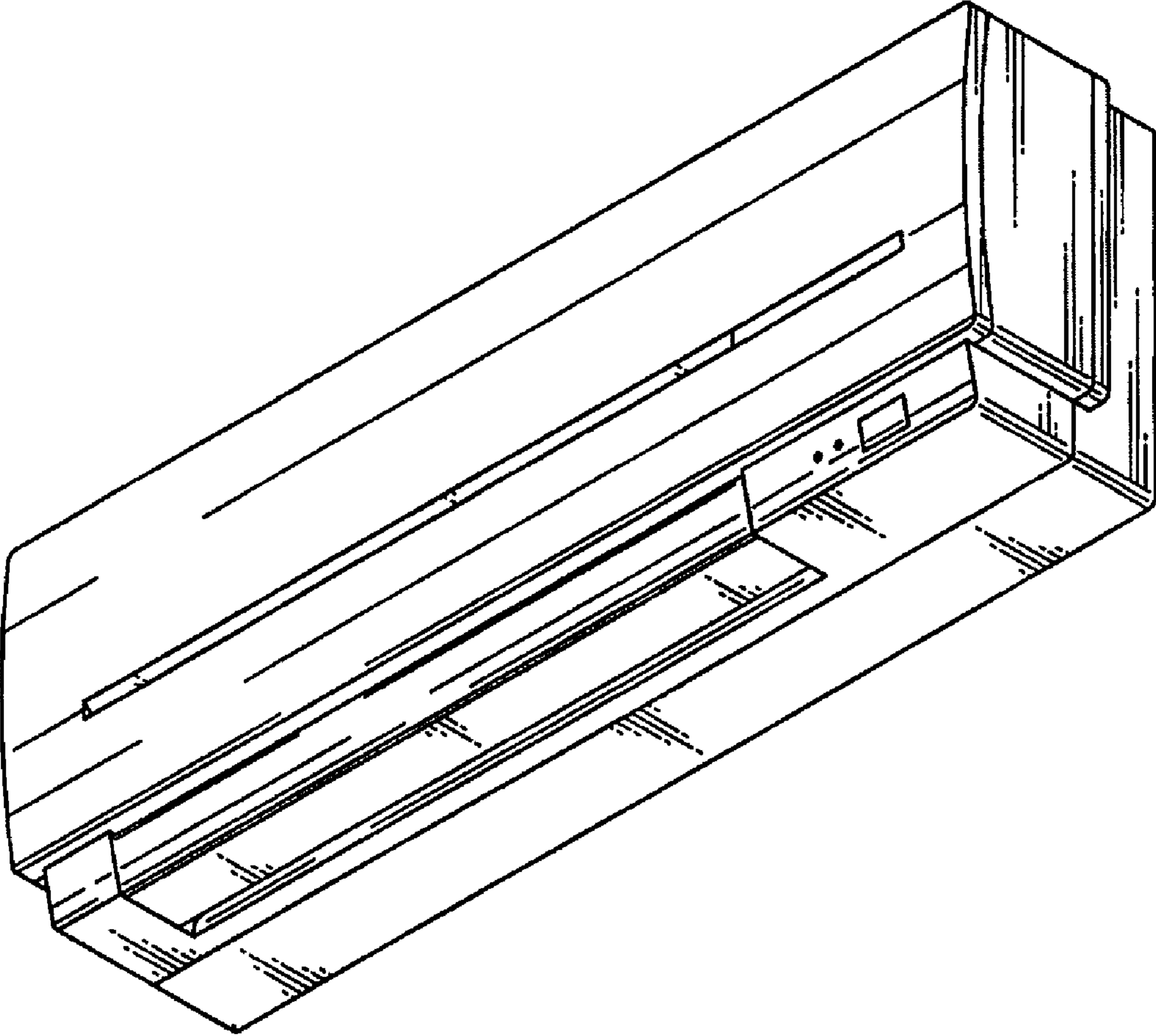
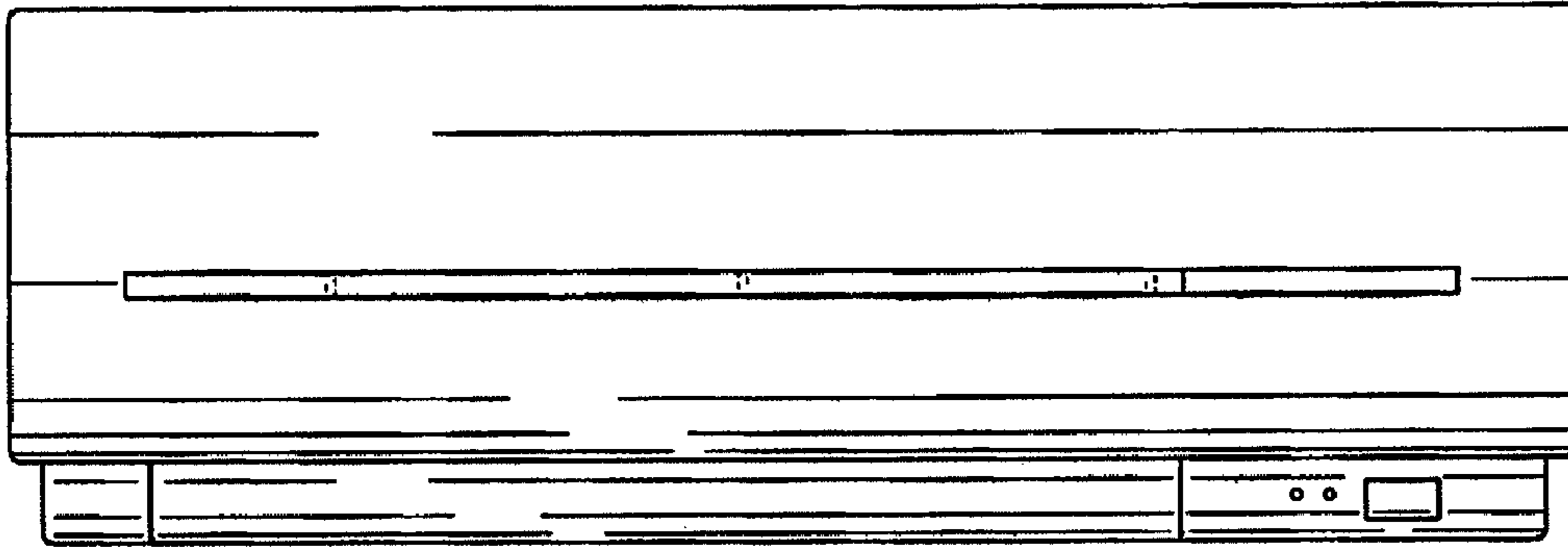


FIG.2

8 ←



8 ←

FIG.3

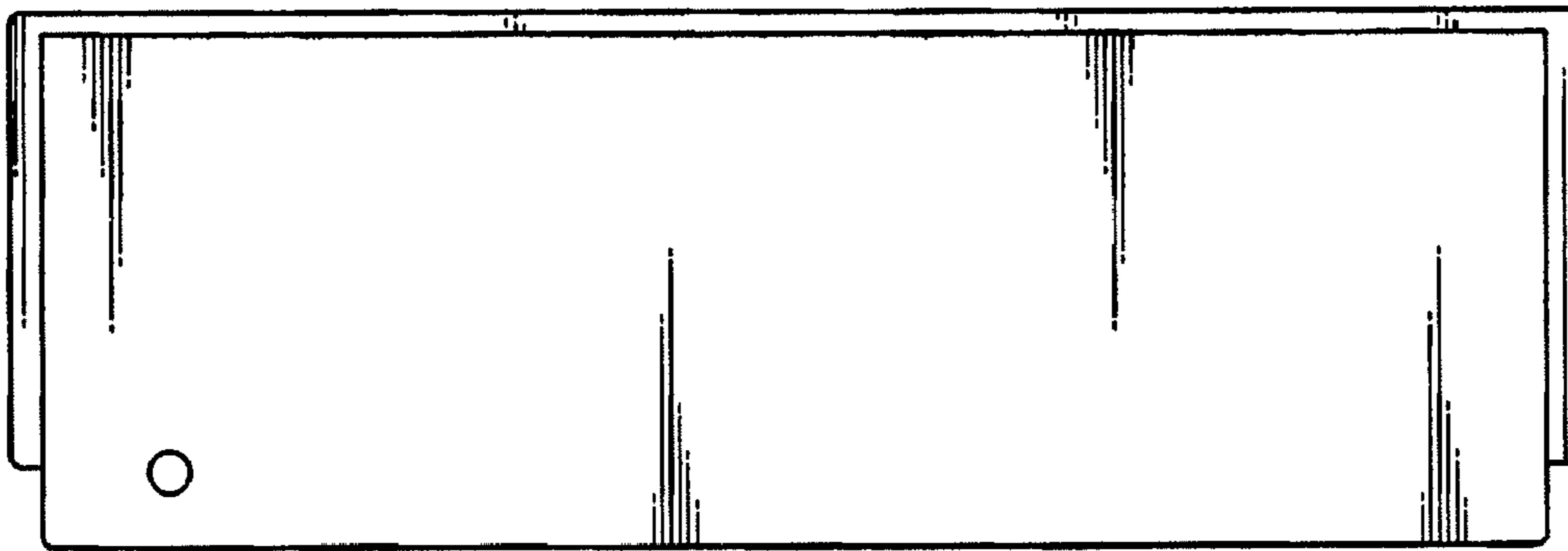


FIG.4

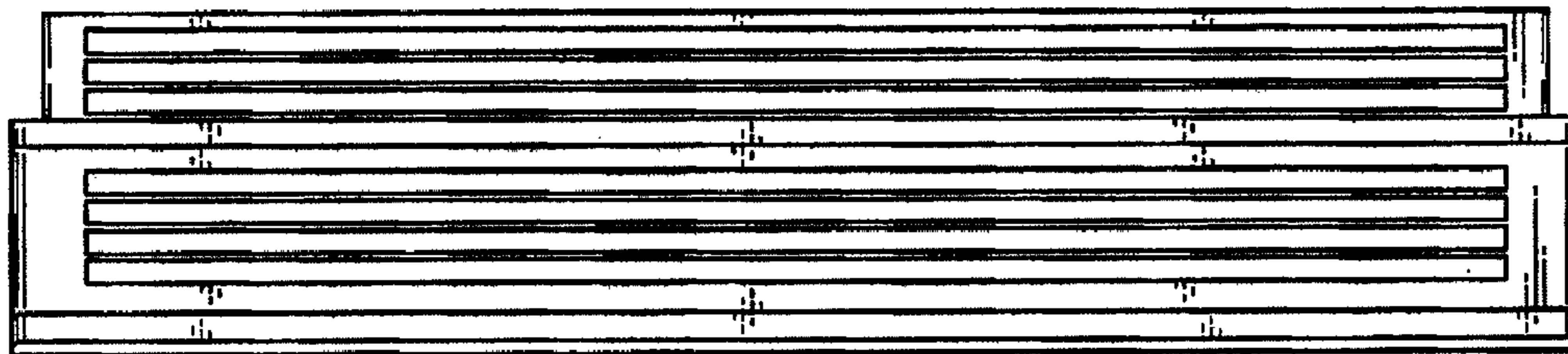


FIG.5

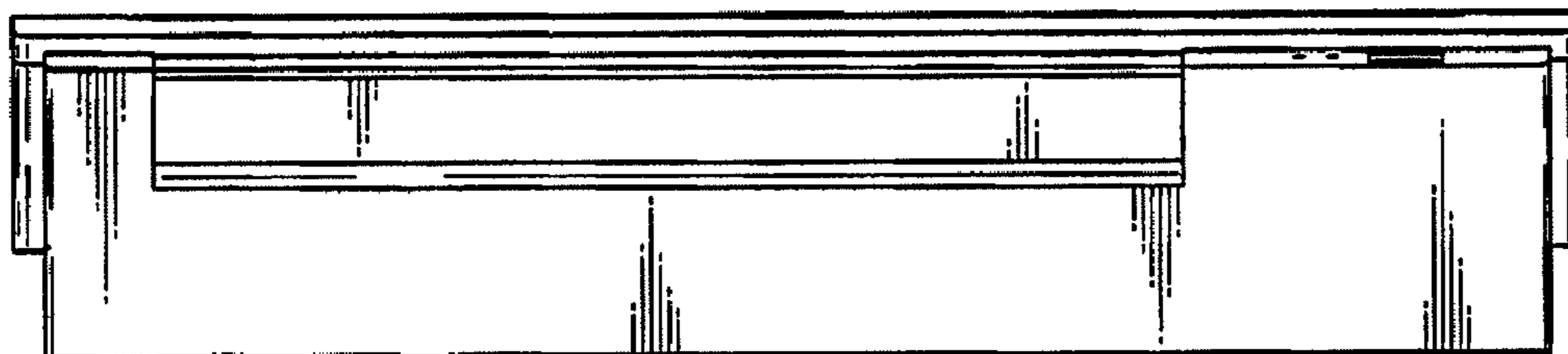


FIG.7

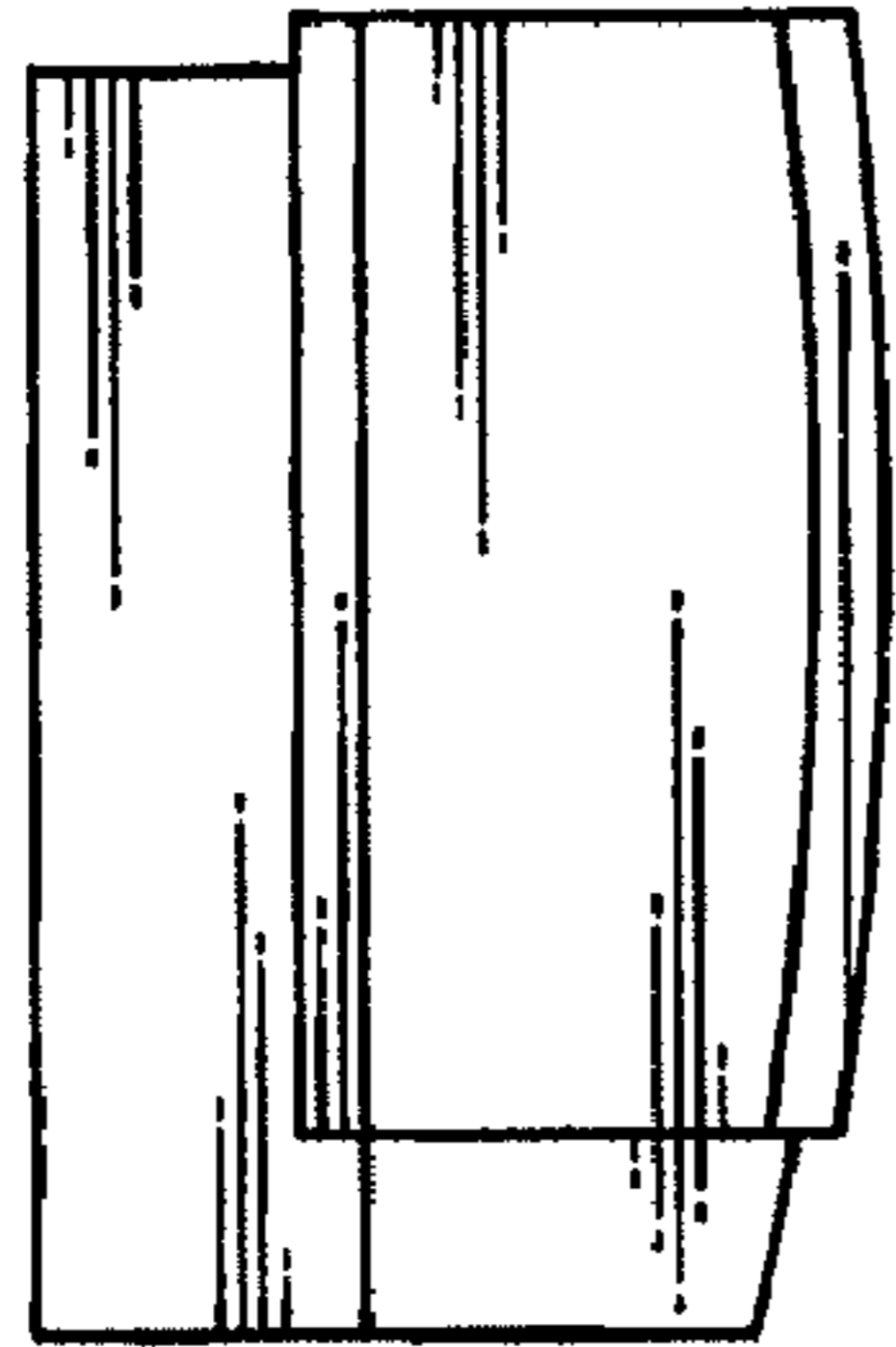


FIG.6

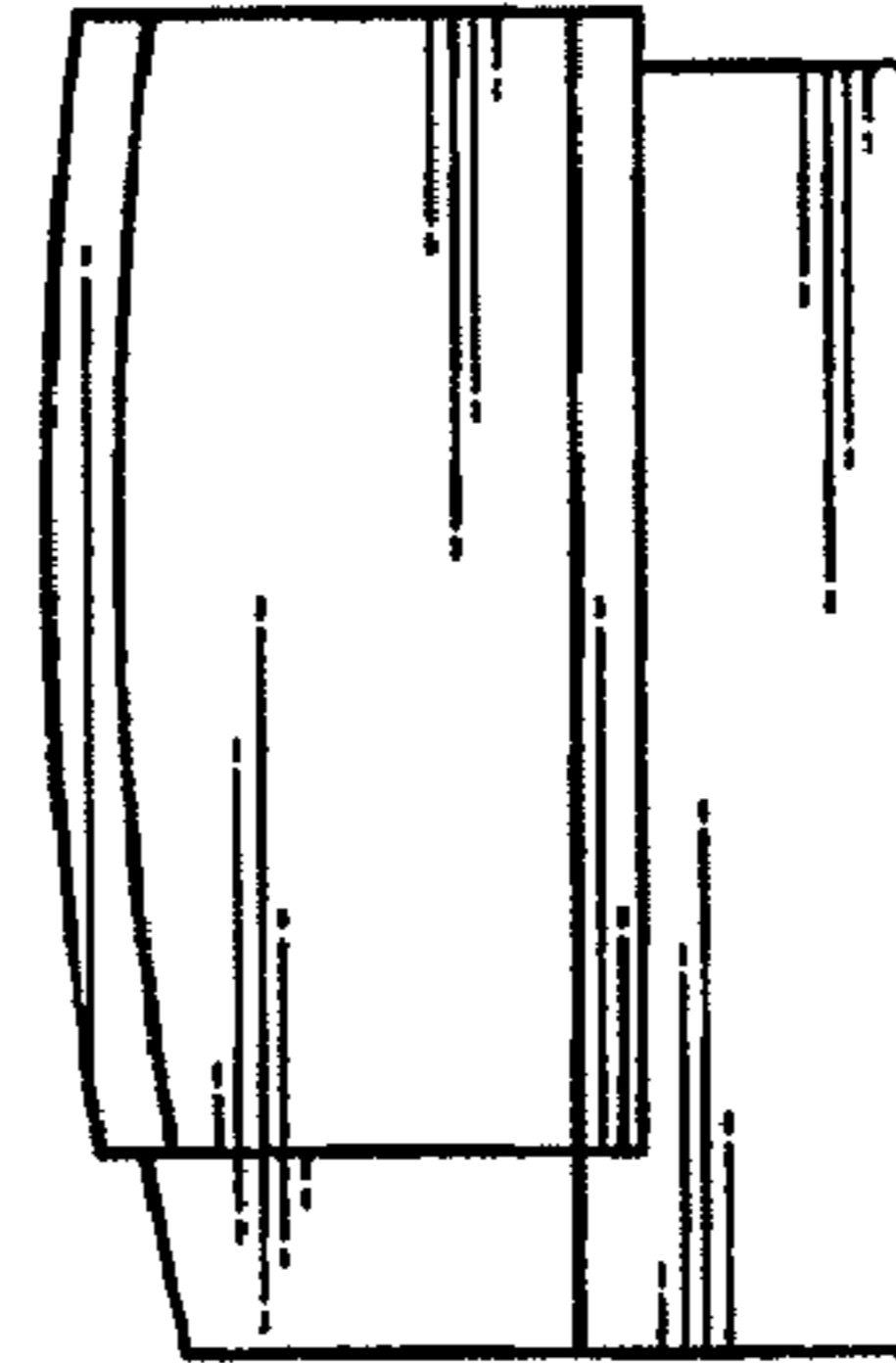


FIG.8

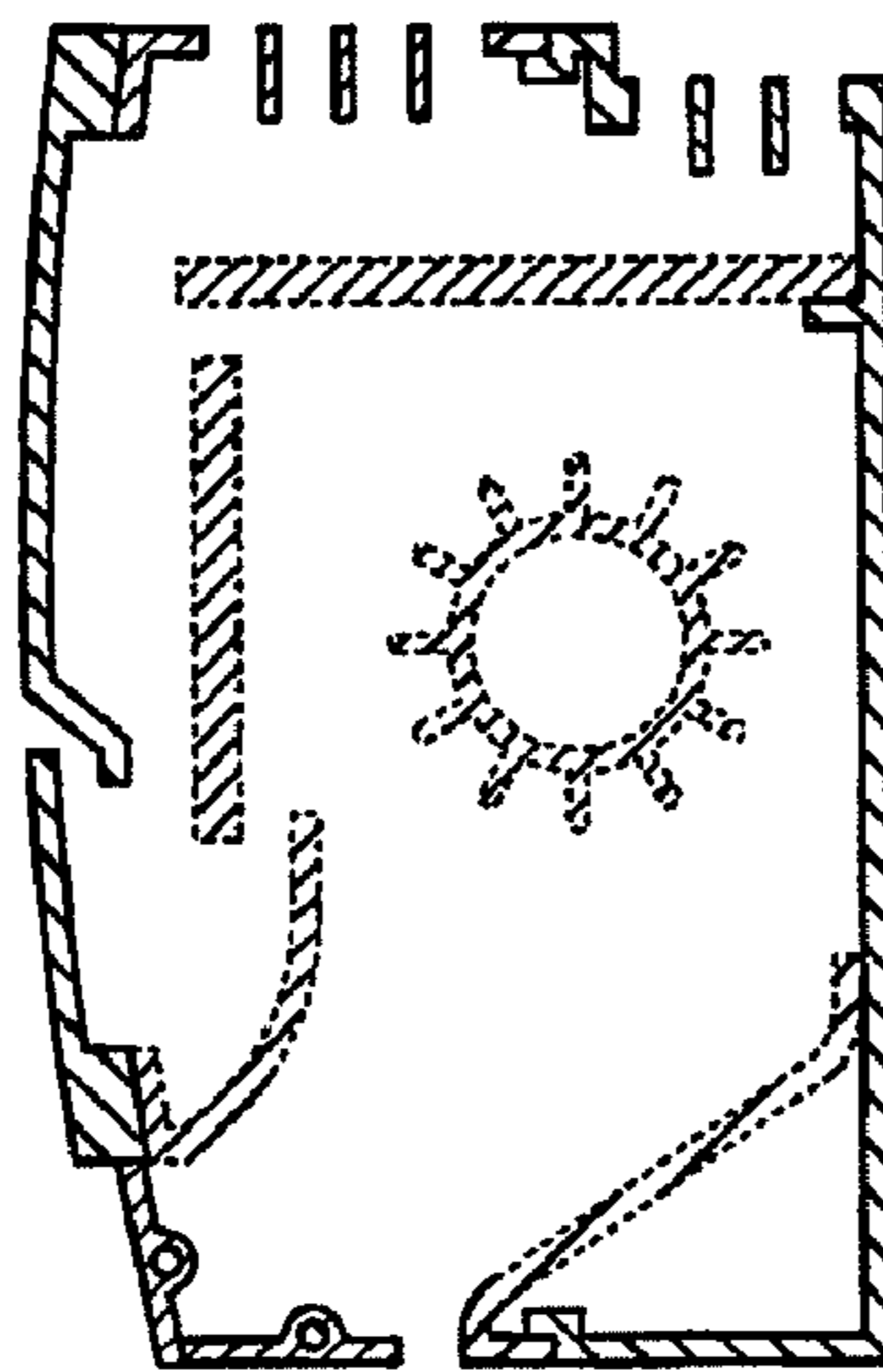


FIG.9

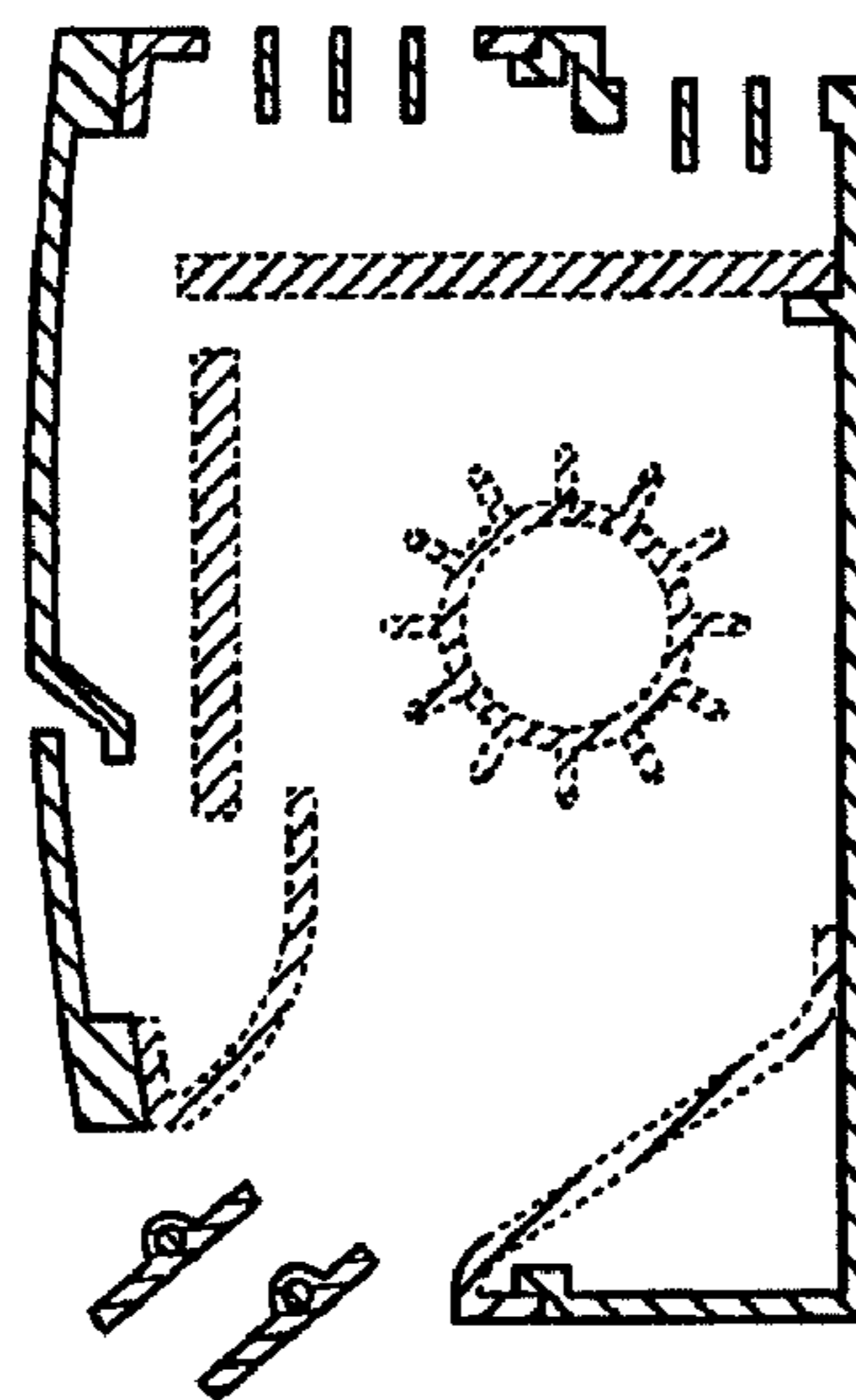


FIG.10

