



US00D612468S

(12) **United States Design Patent**  
**Reid et al.**

(10) **Patent No.:** **US D612,468 S**  
(45) **Date of Patent:** **\*\* Mar. 23, 2010**

(54) **PLUMBING FIXTURE**

FOREIGN PATENT DOCUMENTS

(75) Inventors: **Mary J. Reid**, Sheboygan, WI (US);  
**Jeffrey A. Pipe**, Pittsburgh, PA (US);  
**Lisa J. Hood**, Cincinnati, OH (US);  
**Barry Glasford**, Cedarburgh, WI (US);  
**Raul Paredes**, Mason, OH (US)

RU 58412 12/2005

(73) Assignee: **Kohler Co.**, Kohler, WI (US)

(\*\*) Term: **14 Years**

(21) Appl. No.: **29/339,011**

(22) Filed: **Jun. 23, 2009**

OTHER PUBLICATIONS

Kohler Co. "Bancroft Experience 5.5' Bath." Model No. K-1156. Kohler Co. online catalog. Copyright 2007 Kohler Co.  
Kohler Co. "Lady Vanity Self-Rimming Lavatory with 8" Centers for Swing Spout Faucet and Sidespray". Model No. K-2170-8S. Kohler Co. online catalog. Copyright 2007 Kohler Co.

\* cited by examiner

*Primary Examiner*—Robert A Delehanty

(74) *Attorney, Agent, or Firm*—Quarles & Brady LLP

**Related U.S. Application Data**

(62) Division of application No. 29/297,421, filed on Nov. 9, 2007.

(51) **LOC (9) Cl.** ..... **23-02**

(52) **U.S. Cl.** ..... **D23/304**

(58) **Field of Classification Search** ..... D23/293,  
D23/275–280.1, 303, 304–306; D24/204;  
4/663, 538–539, 541.1, 546, 575.1, 586,  
4/574.1

See application file for complete search history.

(57) **CLAIM**

The ornamental design for a plumbing fixture, as shown and described.

**DESCRIPTION**

In a preferred embodiment, the nature of this product is as a plumbing fixture in the form of a bathing tub or portion thereof.

FIG. 1 is a left, top, front perspective view of a plumbing fixture according to our new design;

FIG. 2 is a top plan view thereof;

FIG. 3 is a front elevational view thereof;

FIG. 4 is a rear elevational view thereof;

FIG. 5 is a left side elevational view thereof;

FIG. 6 is a right side elevational view thereof; and,

FIG. 7 is a bottom plan view thereof.

The broken line representations in the figures, are for the purpose of illustration only, and form no part of the claimed design.

(56) **References Cited**

U.S. PATENT DOCUMENTS

5,101,521	A	4/1992	Levien	
D350,185	S	8/1994	Clark et al.	
D382,945	S	8/1997	Hansen et al.	
6,507,959	B1 *	1/2003	Sundberg et al.	4/572.1
D485,890	S *	1/2004	Lanius	D23/280.1
D524,925	S *	7/2006	Lanius	D23/280.1
D525,688	S *	7/2006	Licini	D23/280.1
7,266,851	B1 *	9/2007	Batalini	4/574.1

**1 Claim, 3 Drawing Sheets**

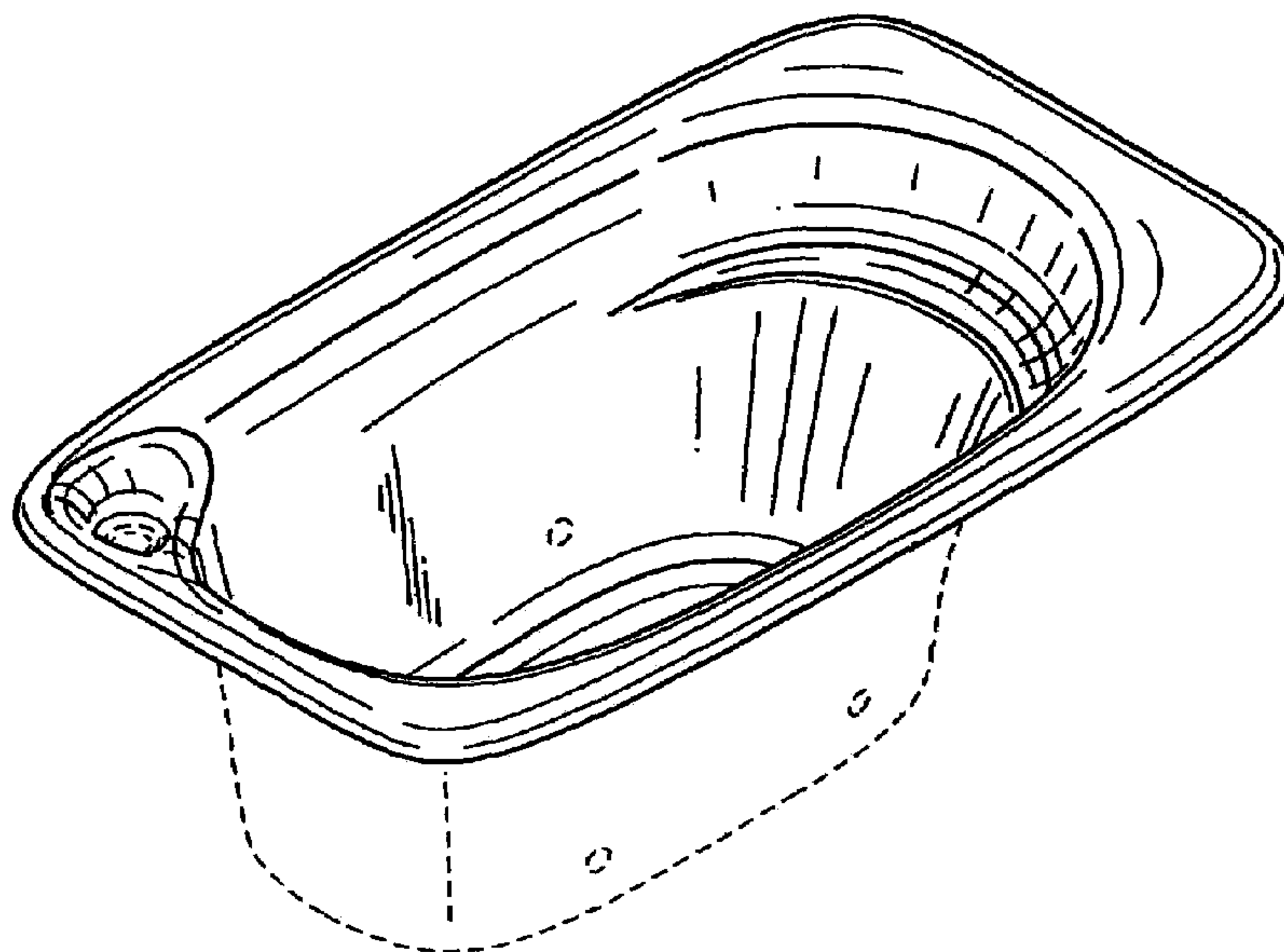


FIG. 1

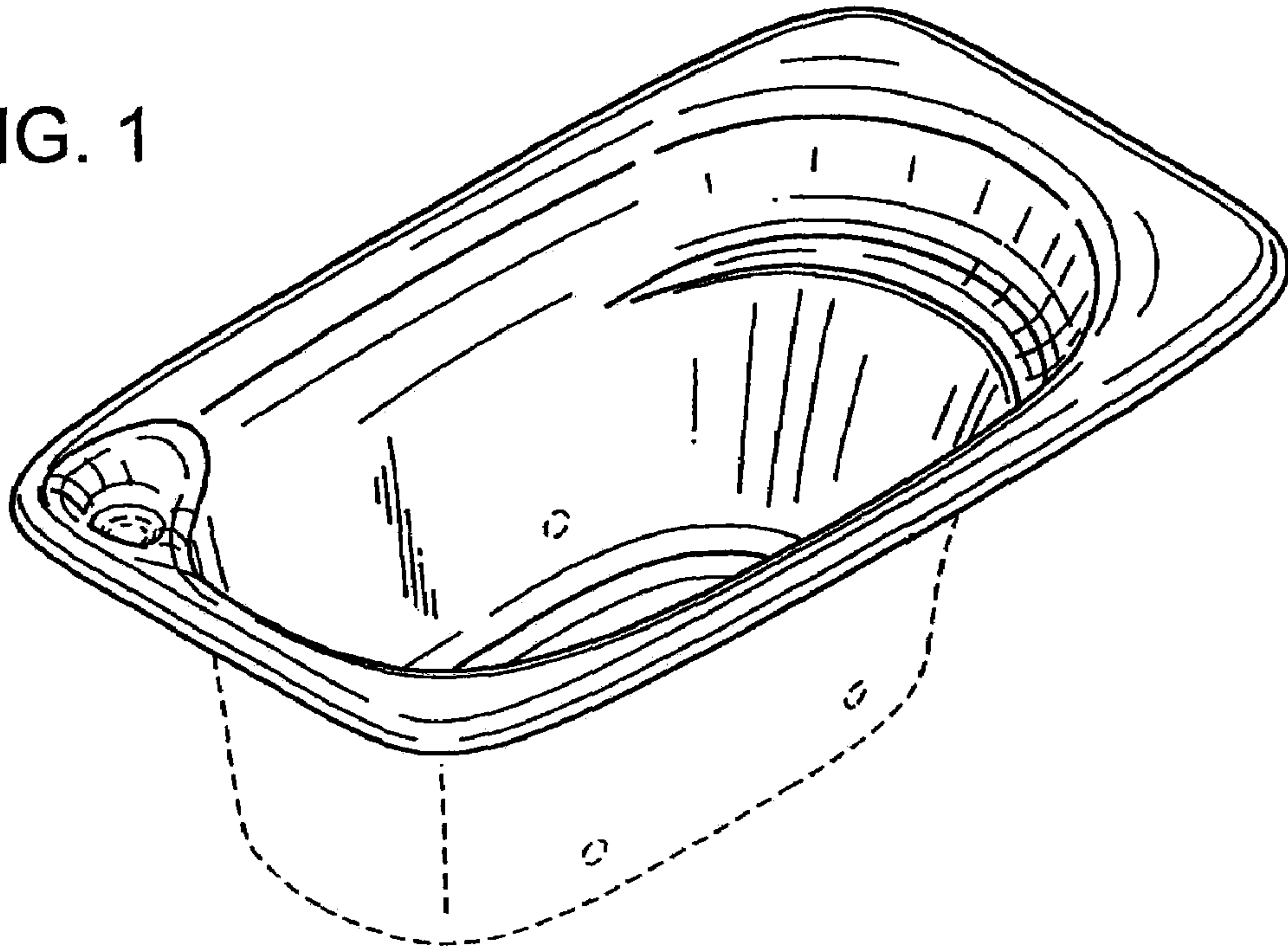


FIG. 2

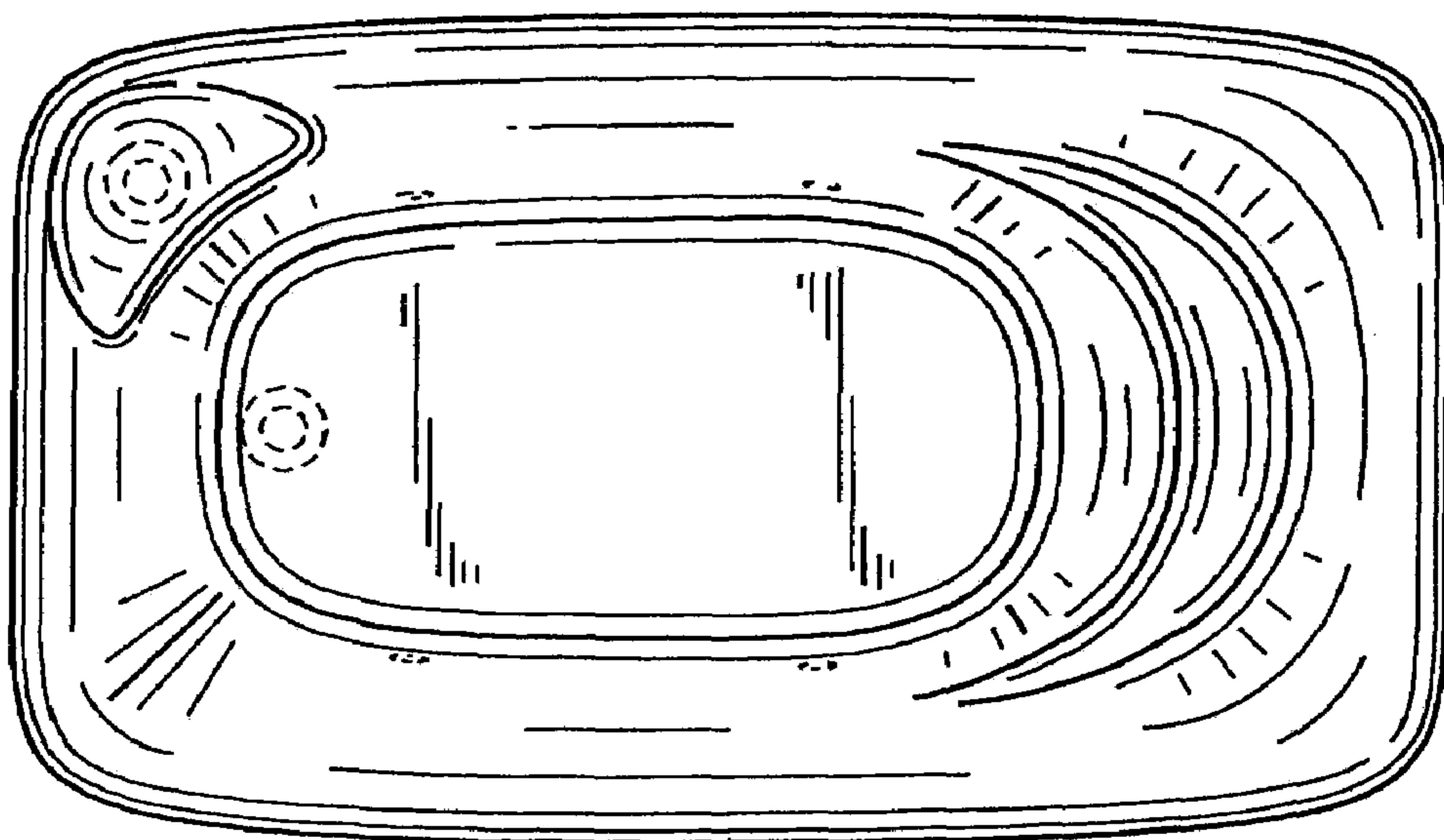


FIG. 3

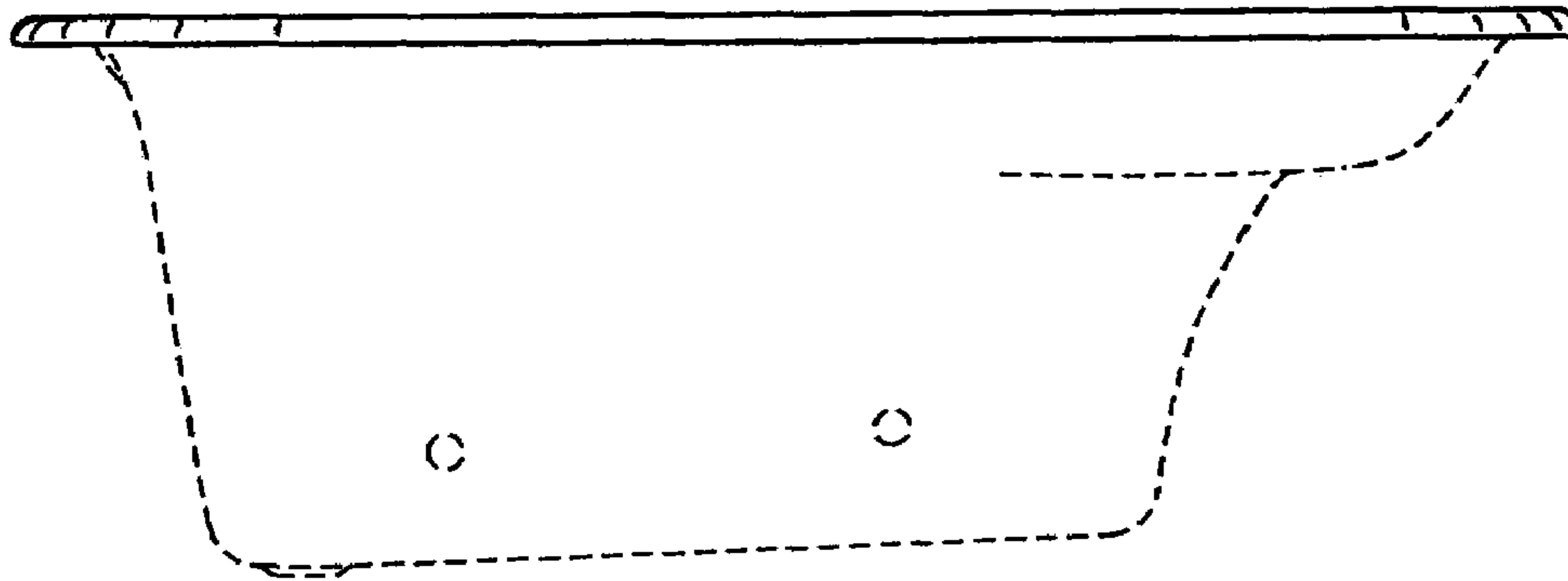


FIG. 4

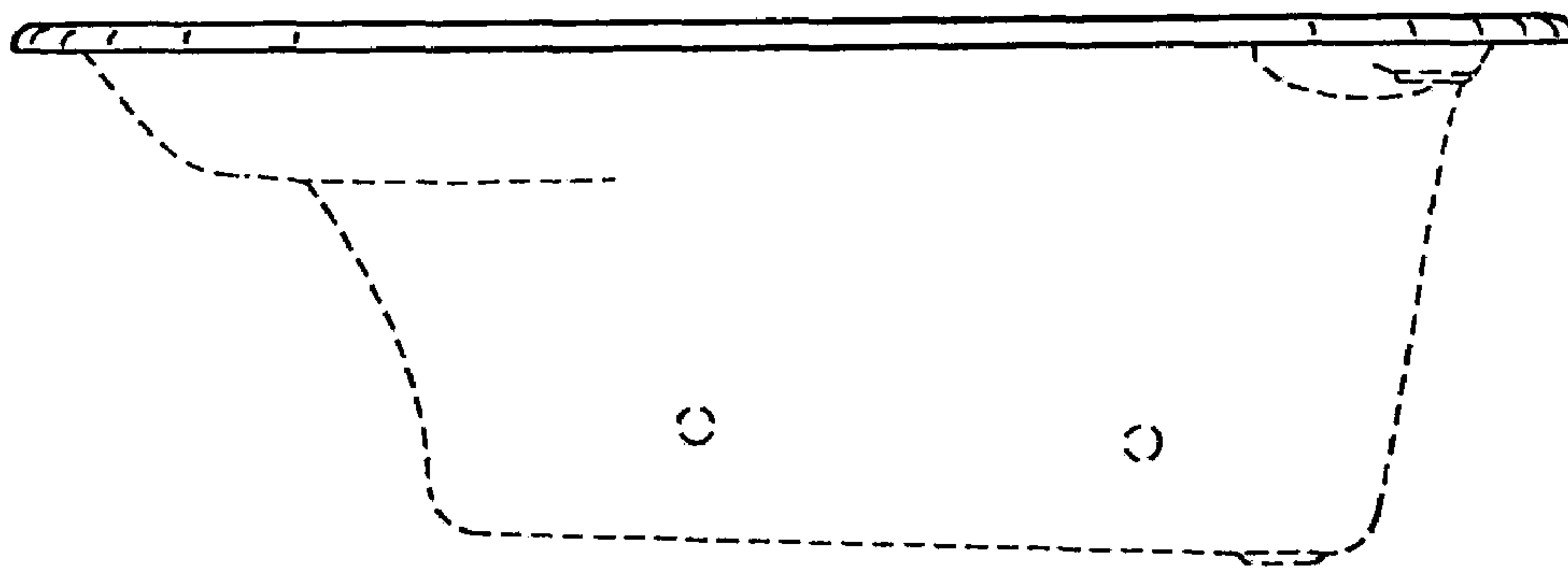


FIG. 5

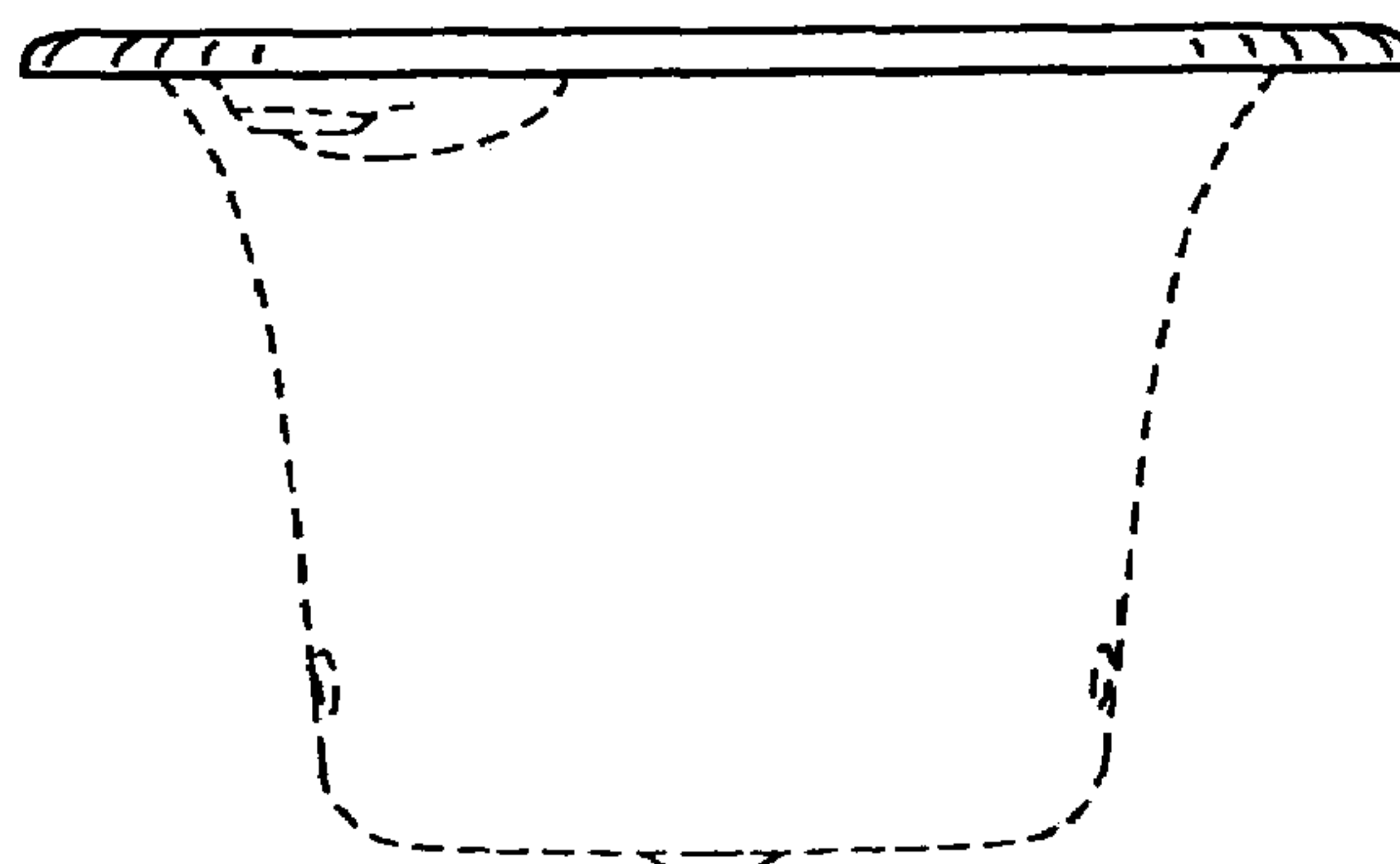


FIG. 6

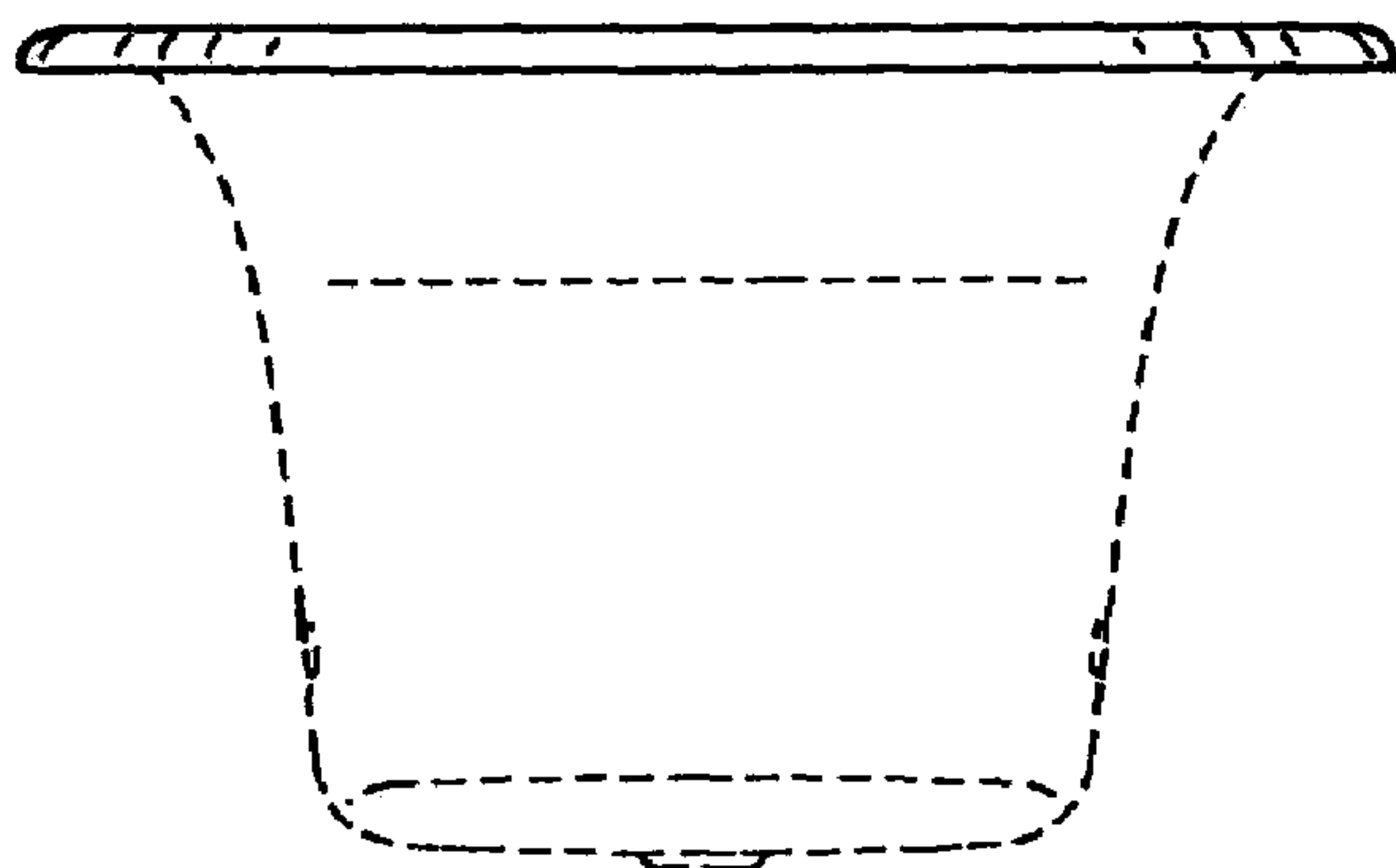


FIG. 7

