



US00D612465S

(12) **United States Design Patent**
Salsler et al.

(10) **Patent No.:** **US D612,465 S**
(45) **Date of Patent:** **** Mar. 23, 2010**

(54) **RESIDENTIAL FIRE SERVICE FIXTURE**

D497,976 S * 11/2004 Goetz et al. D23/245
D526,387 S * 8/2006 Bonomi D23/236

(75) Inventors: **Floyd Stanley Salsler**, Ocala, FL (US);
Mike Kebles, Las Vegas, NV (US)

* cited by examiner

(73) Assignee: **F.C. Patents, LLC**, Ocala, FL (US)

Primary Examiner—Daniel D Bui

Assistant Examiner—Thomas J Johannes

(**) Term: **14 Years**

(74) *Attorney, Agent, or Firm*—Monty Simmons; Simmons Patents

(21) Appl. No.: **29/327,232**

(57) **CLAIM**

(22) Filed: **Nov. 2, 2008**

The ornamental designs for a residential fire service fixture, as shown and described.

(51) **LOC (9) Cl.** **23-01**

(52) **U.S. Cl.** **D23/266**

(58) **Field of Classification Search** D23/234–269,
D23/285, 303, 337, 356; 138/109, 110, 119,
138/124, 128, 134, 135, 137–146, DIG. 8
See application file for complete search history.

DESCRIPTION

FIG. 1 is a front perspective view of a residential fire line fixture;

FIG. 2 is a front view of the fire line fixture depicted in FIG. 1;

FIG. 3 is a back side view of the fire line fixture depicted in FIG. 1; and,

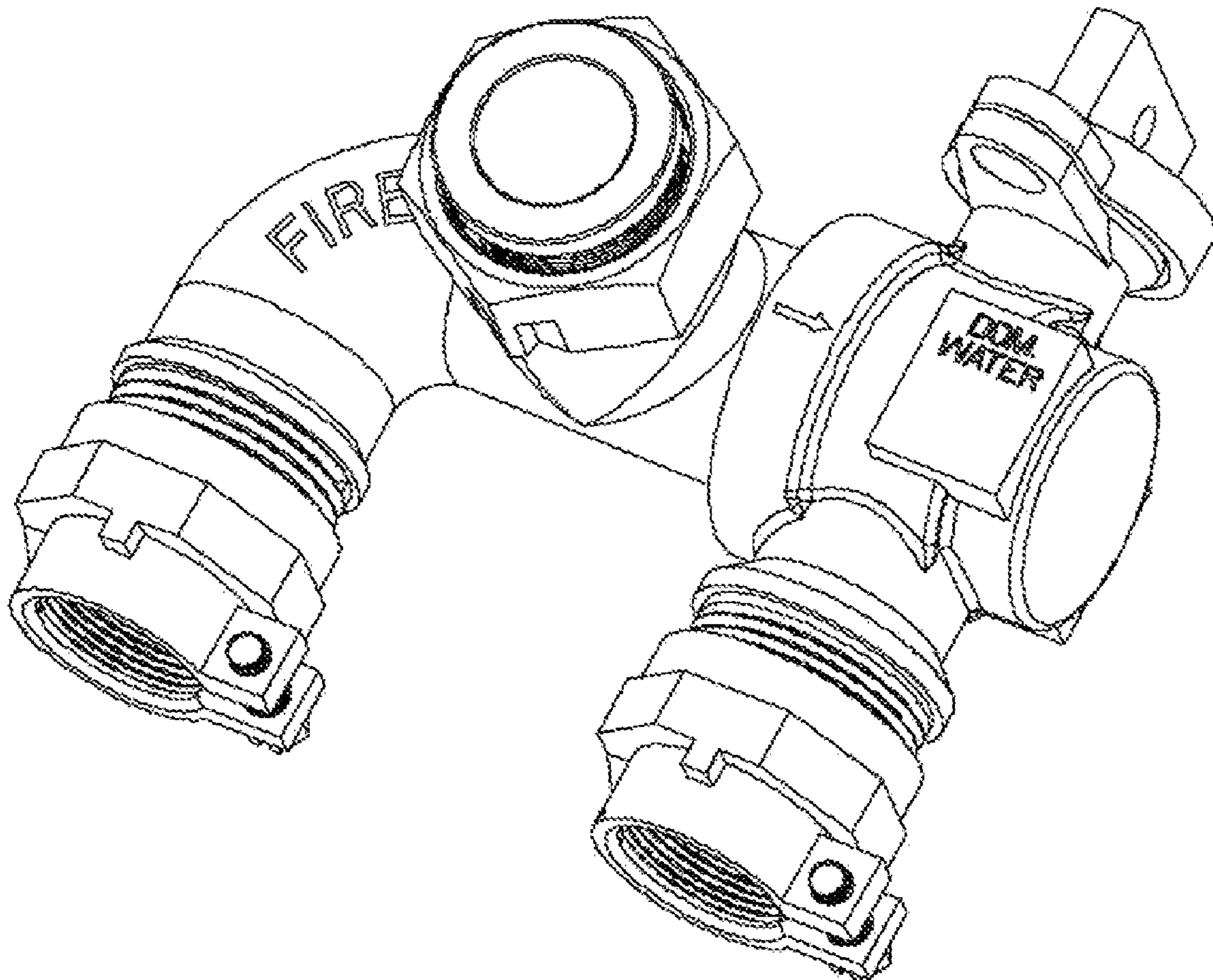
FIG. 4 is a top view of the fire line fixture depicted in FIG. 1.

(56) **References Cited**

U.S. PATENT DOCUMENTS

D482,432 S * 11/2003 Matsumoto D23/262
6,701,982 B1 * 3/2004 Ortiz et al. 141/392
D491,664 S * 6/2004 Patzer D24/158

1 Claim, 4 Drawing Sheets



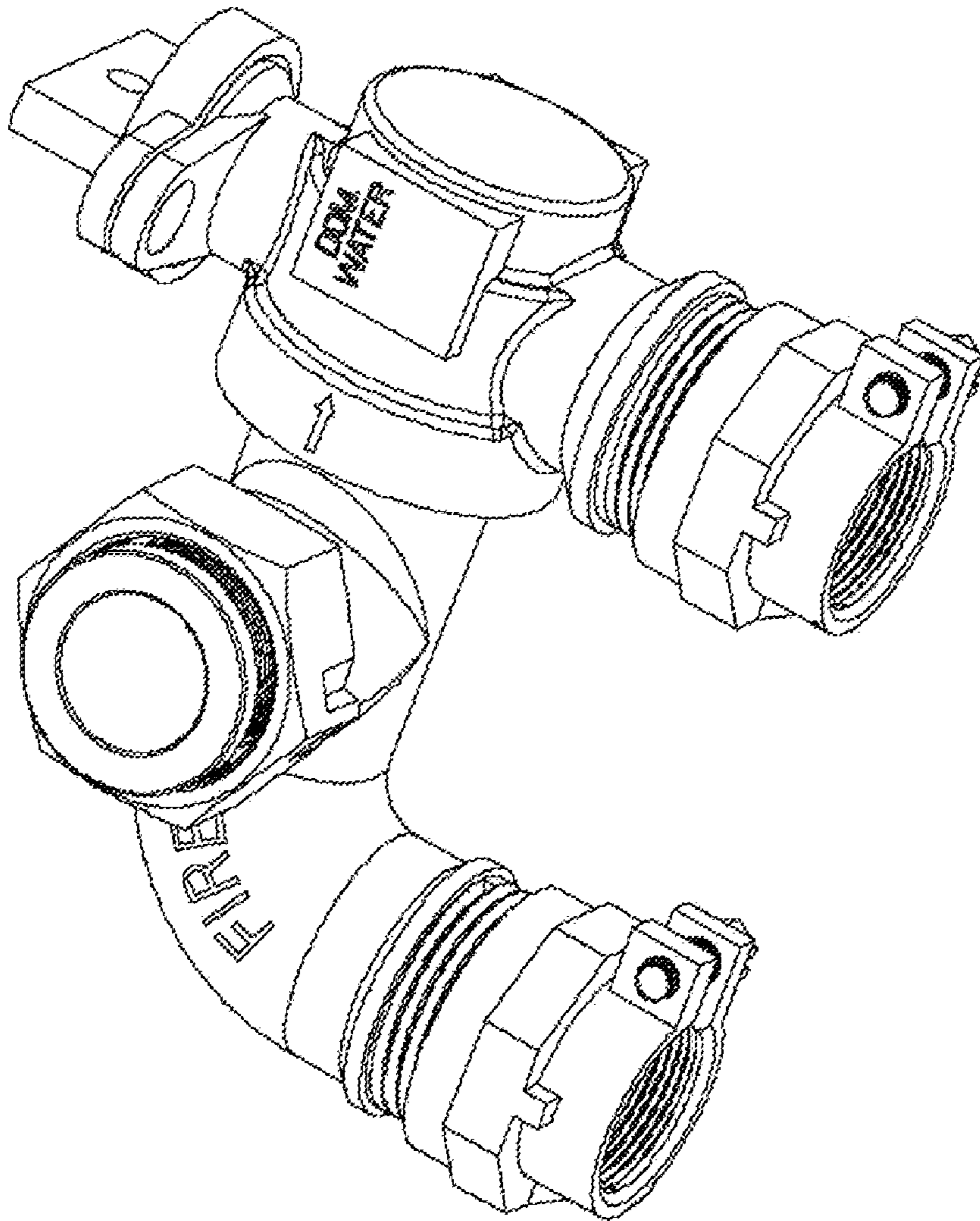


Fig. 1

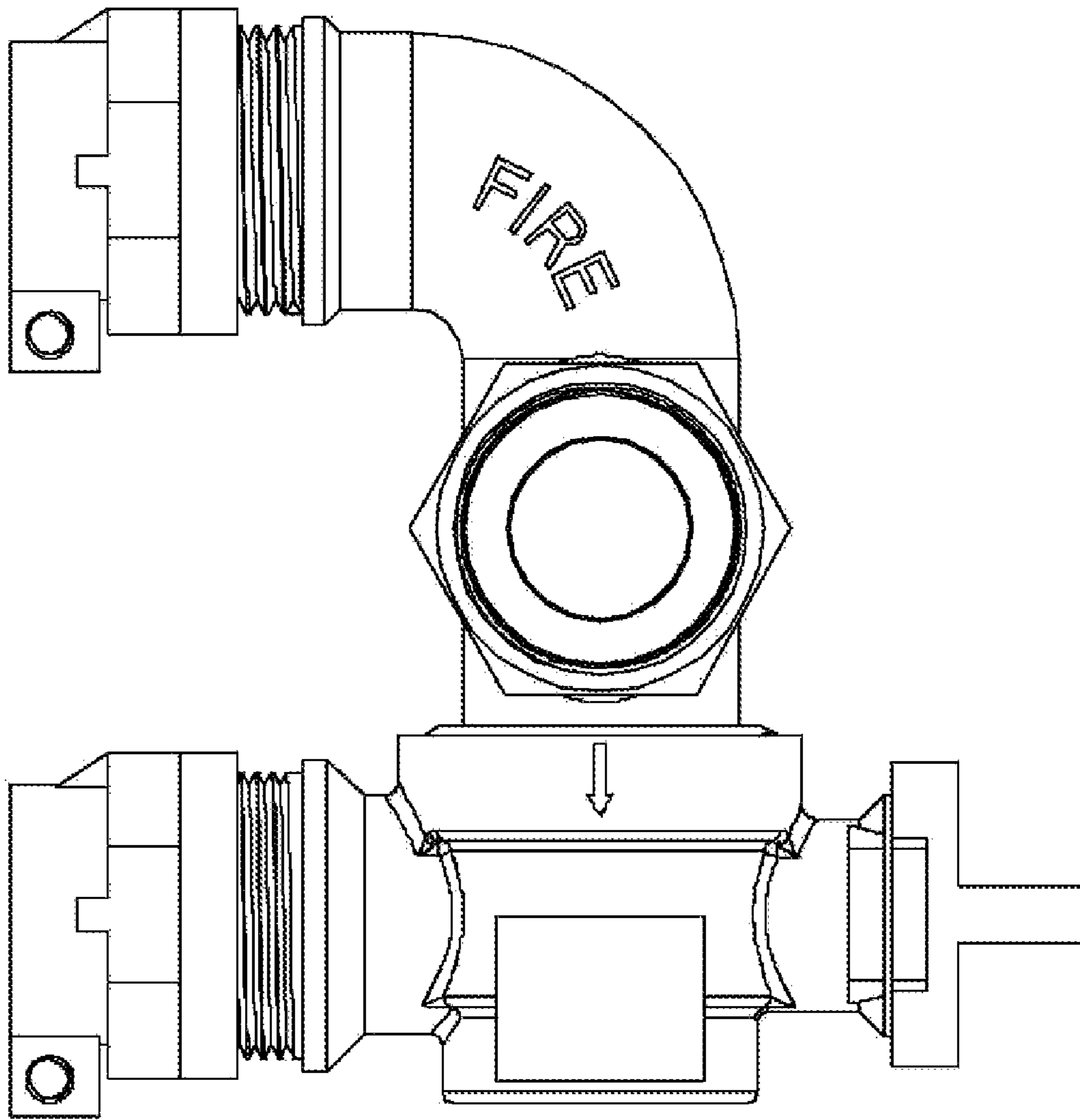


Fig. 2

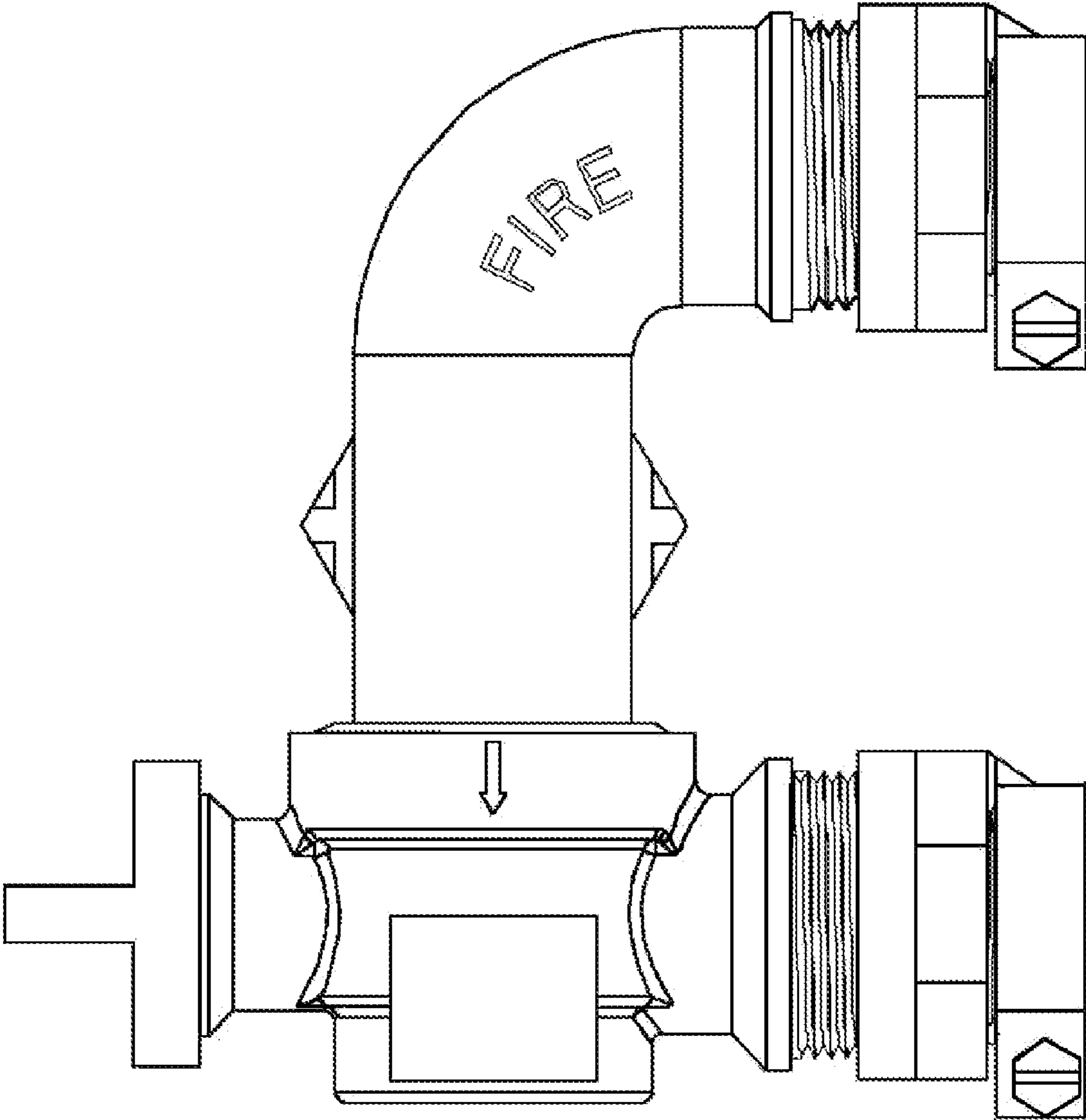


Fig. 3

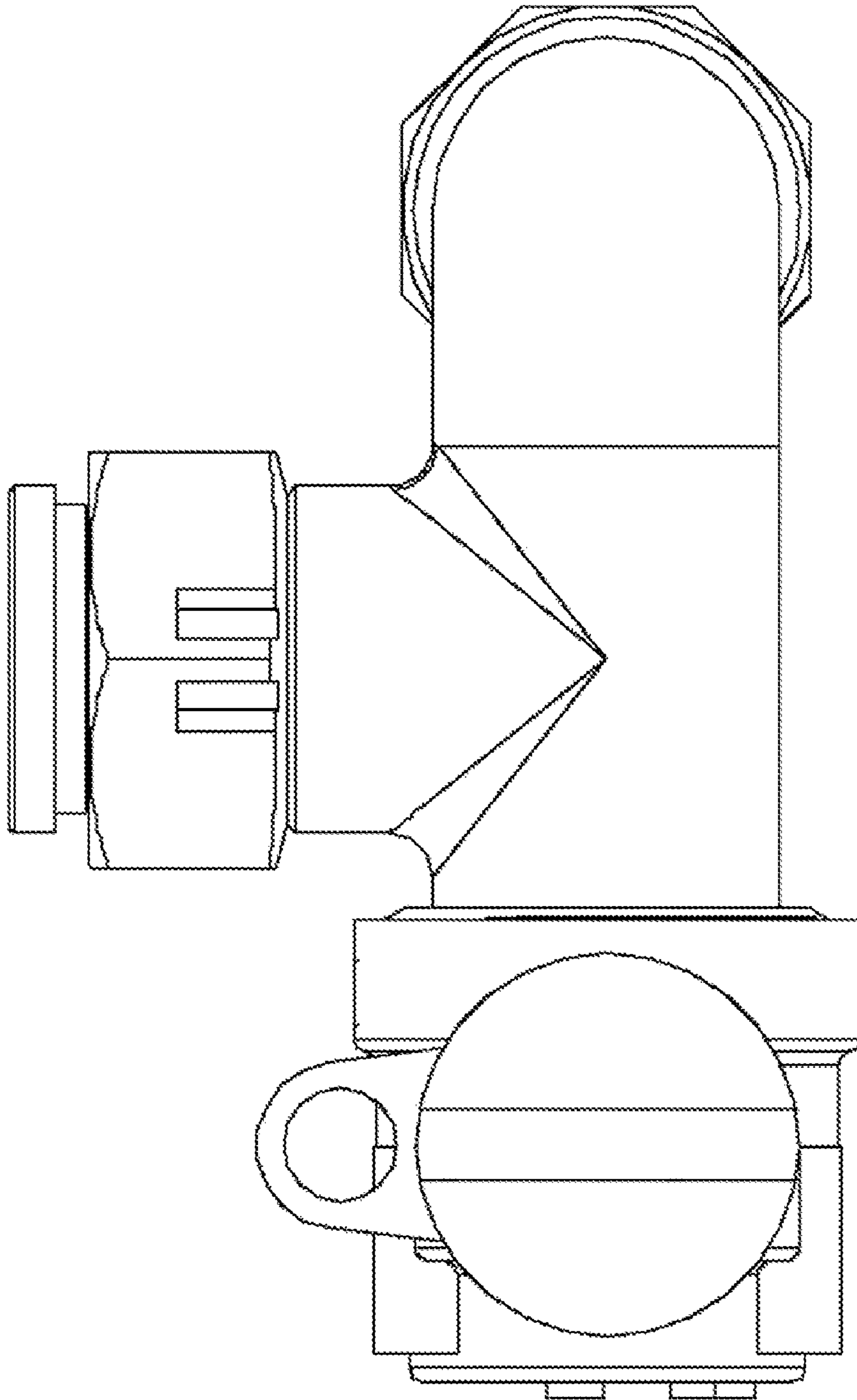


Fig. 4