



US00D612464S

(12) **United States Design Patent**
Weisel

(10) **Patent No.:** **US D612,464 S**

(45) **Date of Patent:** **** Mar. 23, 2010**

(54) **RIBBED HOSE**

(75) Inventor: **Jeffrey Weisel**, N. Lawrence, OH (US)

(73) Assignee: **Beverly Sue Weisel**, North Lawrence, OH (US)

(**) Term: **14 Years**

(21) Appl. No.: **29/326,254**

(22) Filed: **Oct. 15, 2008**

(51) **LOC (9) Cl.** **23-01**

(52) **U.S. Cl.** **D23/266**

(58) **Field of Classification Search** D23/259-269,
D23/285, 303, 337, 356; 138/109, 110, 119,
138/124, 128, 134, 135, 137-146, DIG. 8;
239/542

See application file for complete search history.

(56) **References Cited**

U.S. PATENT DOCUMENTS

D26,562 S * 1/1897 Pike D23/266
D345,197 S * 3/1994 Potter D23/266
D445,170 S * 7/2001 Speicher D23/266
D454,178 S * 3/2002 Speicher D23/266

D454,386 S * 3/2002 Speicher D23/266
2008/0210785 A1 * 9/2008 Hou et al. 239/542
2009/0217879 A1 * 9/2009 Weisel 119/14.01

* cited by examiner

Primary Examiner—Daniel D Bui

Assistant Examiner—Thomas J Johannes

(74) *Attorney, Agent, or Firm*—Fay Sharpe LLP

(57) **CLAIM**

The ornamental design for a ribbed hose, as shown and described.

DESCRIPTION

FIG. 1 is a top perspective view of a ribbed hose;
FIG. 2 is a front elevation view of the ribbed hose of FIG. 1;
FIG. 3 is a right side elevation view of the ribbed hose of FIG. 1;
FIG. 4 is a top plan view of the ribbed hose of FIG. 1; and,
FIG. 5 is a bottom plan view of the ribbed hose of FIG. 1.

A left side elevation view of the ribbed hose of FIG. 1 is a mirror image of the claimed subject matter of the right side elevation view of FIG. 3.

1 Claim, 1 Drawing Sheet

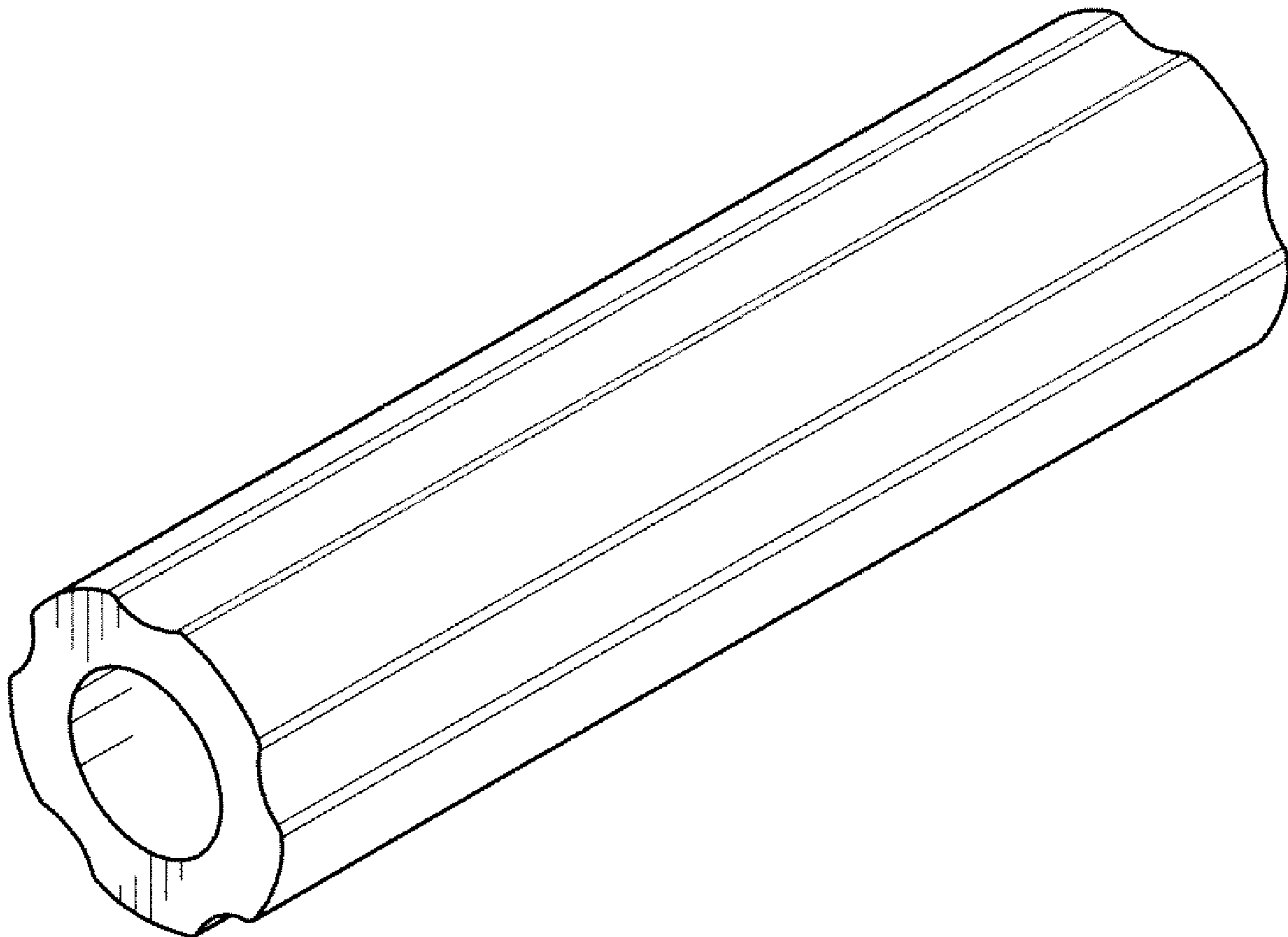


FIG. 1

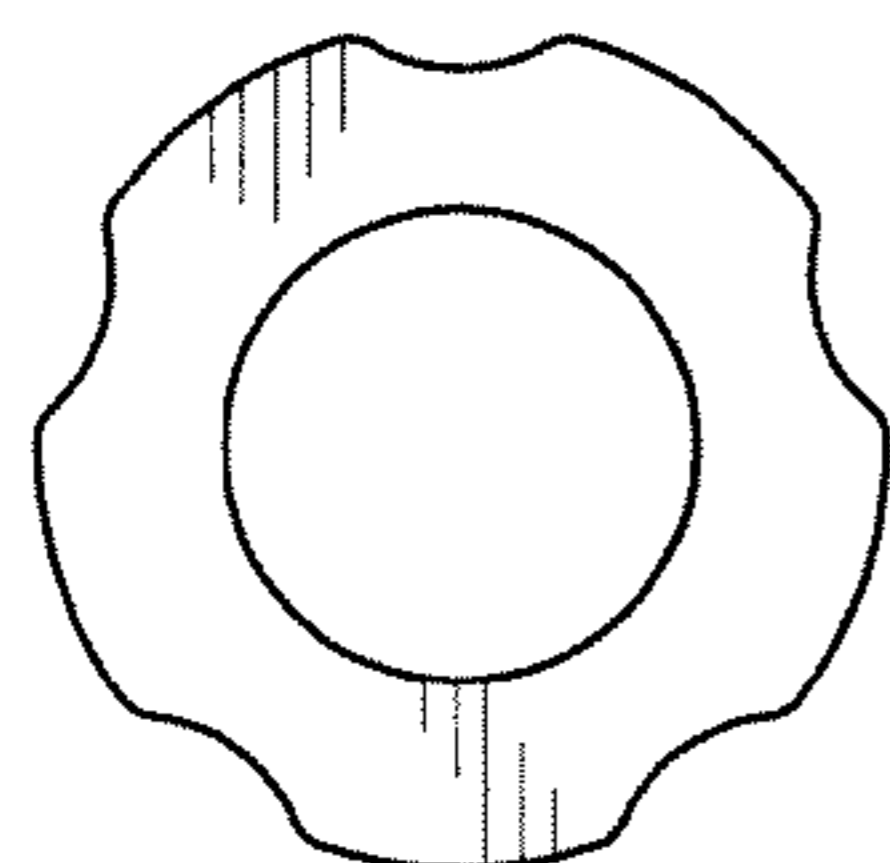
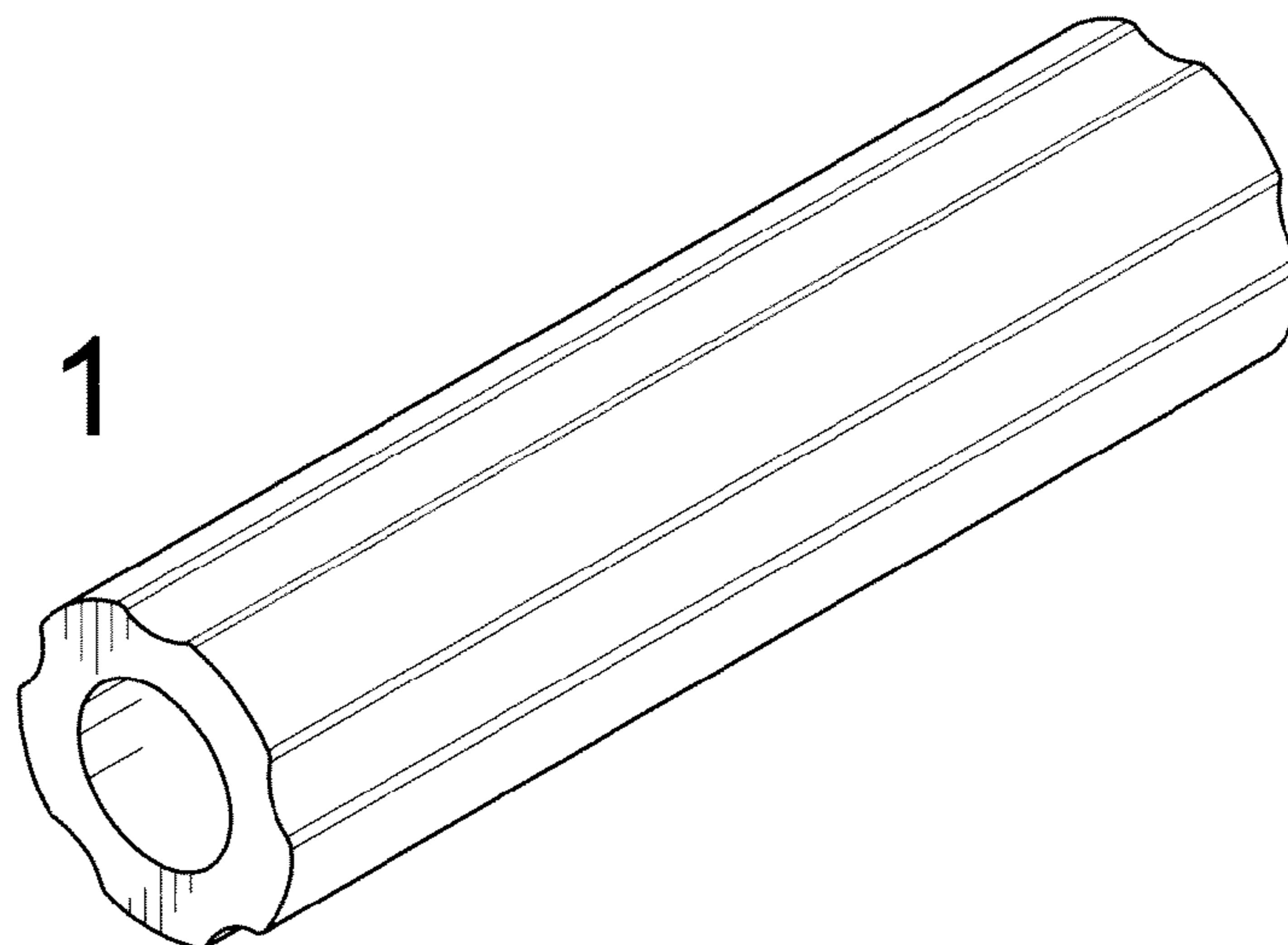


FIG. 2

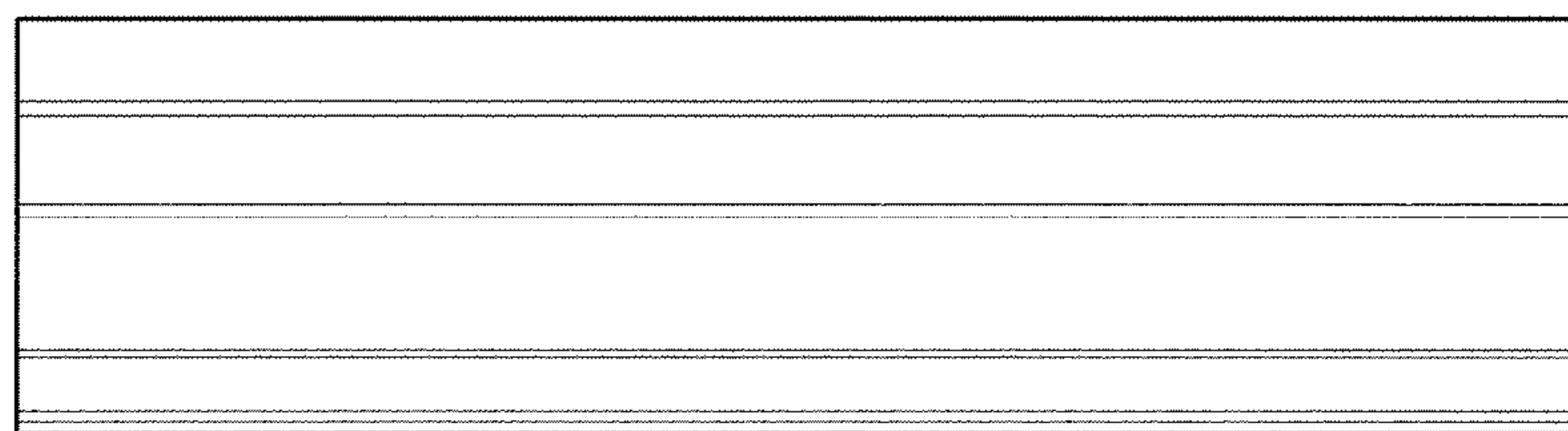


FIG. 3

FIG. 4

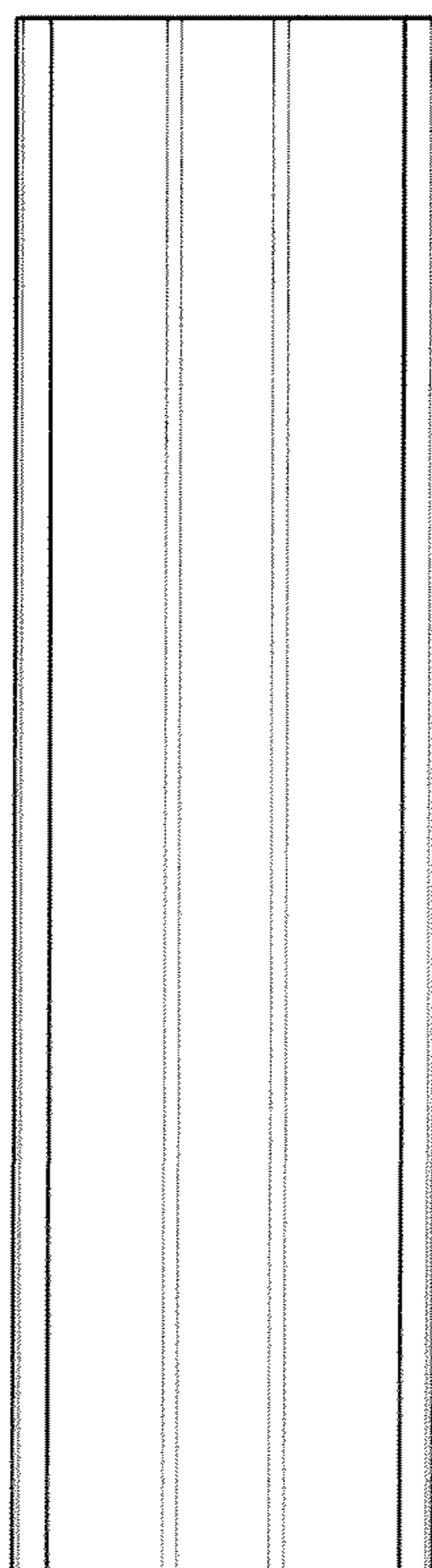


FIG. 5

