



US00D612463S

(12) **United States Design Patent**
Shah et al.

(10) **Patent No.:** **US D612,463 S**

(45) **Date of Patent:** **** *Mar. 23, 2010**

(54) **RIBBED PIPE COUPLING SEGMENT**

(75) Inventors: **Amit R. Shah**, Quakertown, PA (US);
Douglas R. Dole, Whitehouse Station,
NJ (US); **John W. Pierce**, Nazareth, PA
(US); **Scott D. Madara**, Nazareth, PA
(US)

(73) Assignee: **Victaulic Company**, Easton, PA (US)

(*) Notice: This patent is subject to a terminal disclaimer.

(**) Term: **14 Years**

(21) Appl. No.: **29/339,920**

(22) Filed: **Jul. 10, 2009**

Related U.S. Application Data

(62) Division of application No. 29/329,365, filed on Dec. 13, 2008.

(51) **LOC (9) Cl.** **23-01**

(52) **U.S. Cl.** **D23/262**

(58) **Field of Classification Search** D23/259–269;
285/11–12, 7, 177, 394–395, 307, 358, 179–183,
285/423, 356, 303, 337

See application file for complete search history.

(56) **References Cited**

U.S. PATENT DOCUMENTS

872,659 A * 12/1907 Lord 277/623
2,861,822 A * 11/1958 Risley et al. 285/348
D208,388 S * 8/1967 Graham D23/265
3,352,579 A * 11/1967 Hoke 277/621

4,183,560 A * 1/1980 Wyss 285/232
D453,816 S * 2/2002 Sato et al. D23/262
6,494,502 B1 * 12/2002 Plante 285/373
D513,793 S * 1/2006 Copeland et al. D23/262
D515,673 S * 2/2006 Copeland et al. D23/262
D593,642 S * 6/2009 Copeland et al. D23/266
D602,127 S 10/2009 Shah et al.
2003/0071460 A1 * 4/2003 Snyder et al. 285/340
2005/0146133 A1 * 7/2005 Snyder et al. 285/105

* cited by examiner

Primary Examiner—T. Chase Nelson

Assistant Examiner—Eric L Goodman

(74) *Attorney, Agent, or Firm*—Ballard Spahr LLP

(57) **CLAIM**

We claim the ornamental design for a ribbed pipe coupling segment, as shown and described.

DESCRIPTION

FIG. 1 is an isometric view of our design for a ribbed pipe coupling segment;

FIG. 2 is a front view of the design for a ribbed pipe coupling segment shown in FIG. 1, the rear view being identical;

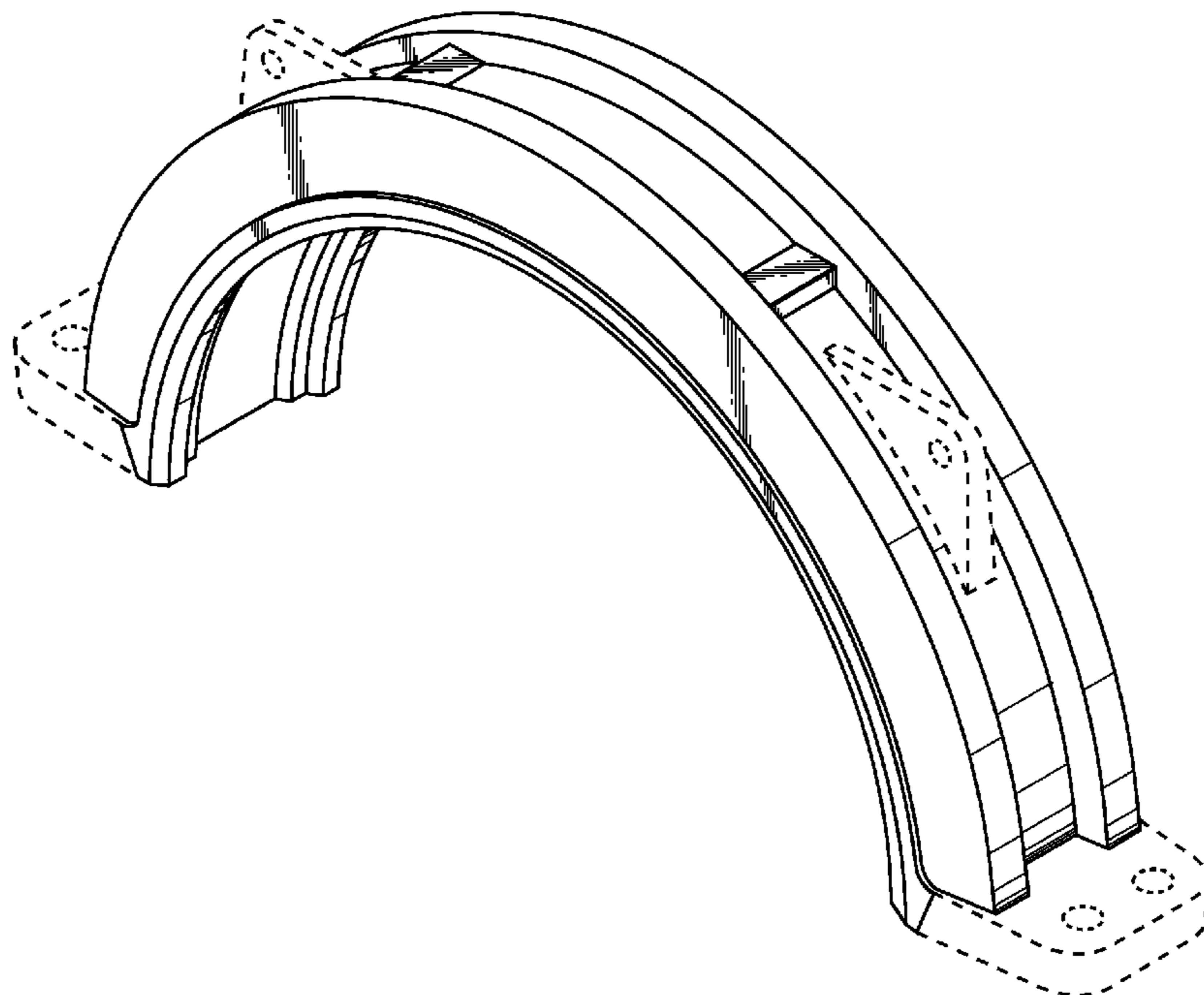
FIG. 3 is a top view of the design for a ribbed pipe coupling segment shown in FIG. 1;

FIG. 4 is a bottom view of the design for a ribbed pipe coupling segment shown in FIG. 1; and,

FIG. 5 is a left side view of the design for a ribbed pipe coupling segment shown in FIG. 1, the right side view being identical.

The broken lines in FIGS. 1–5 are for illustrative purposes only and form no part of the claimed design.

1 Claim, 2 Drawing Sheets



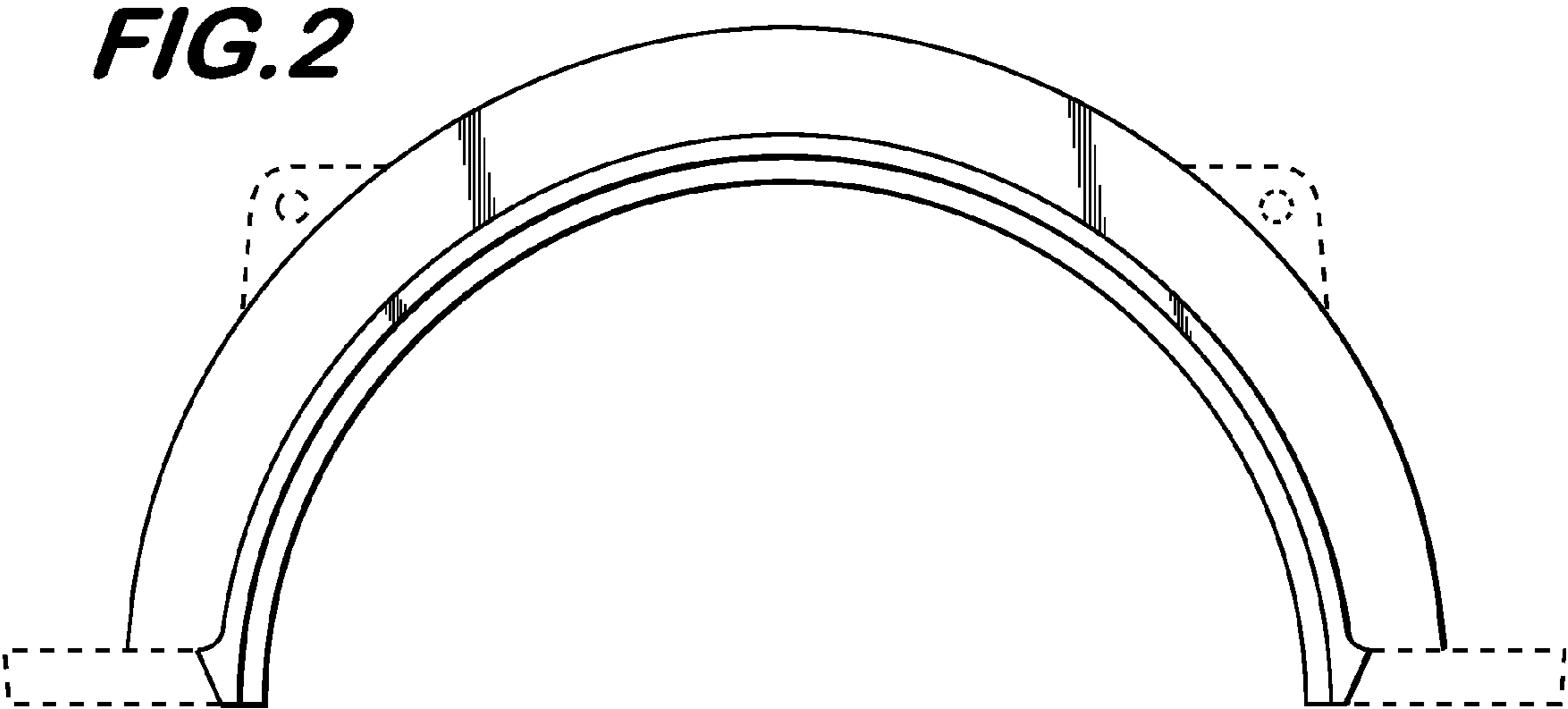
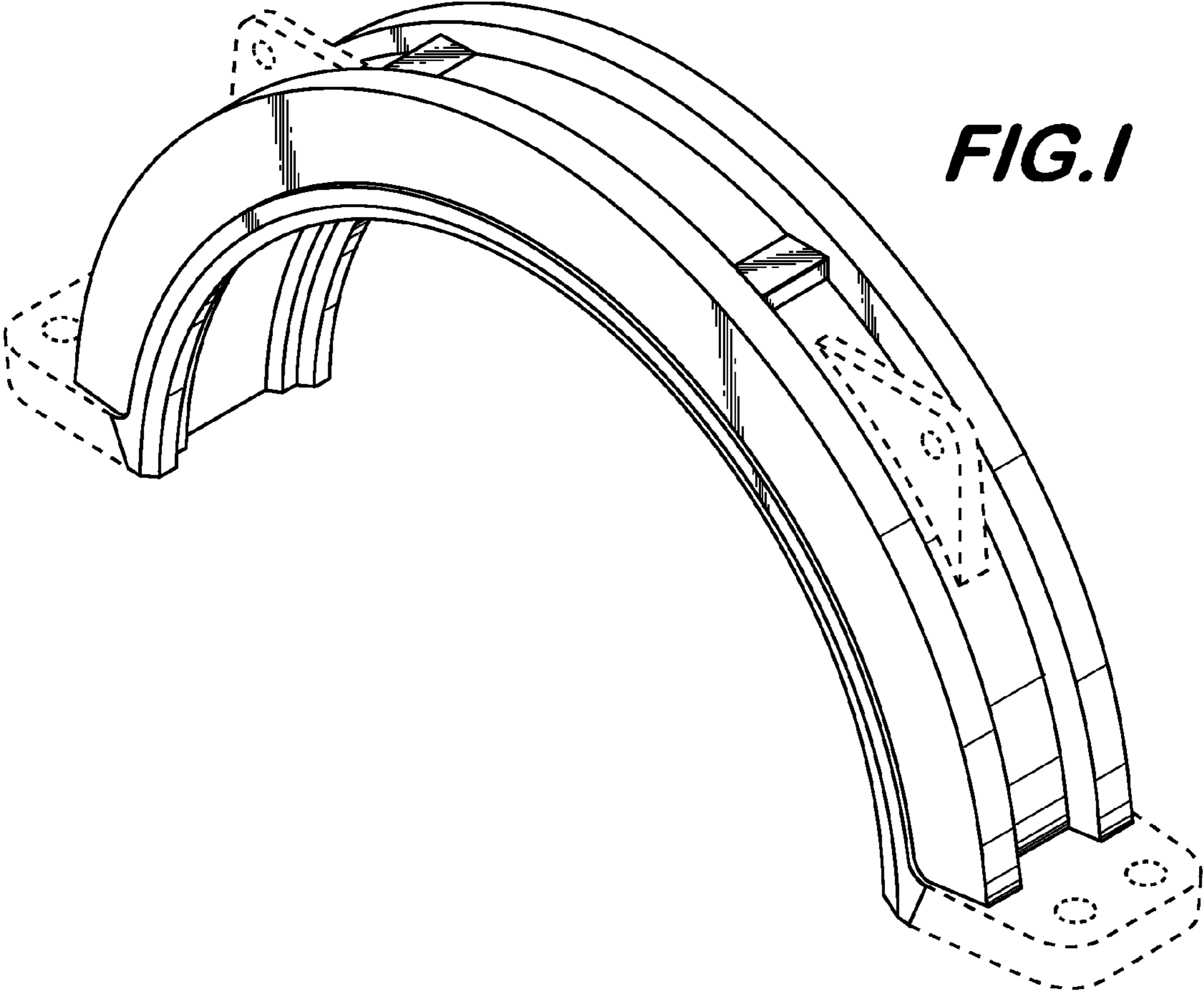


FIG. 3

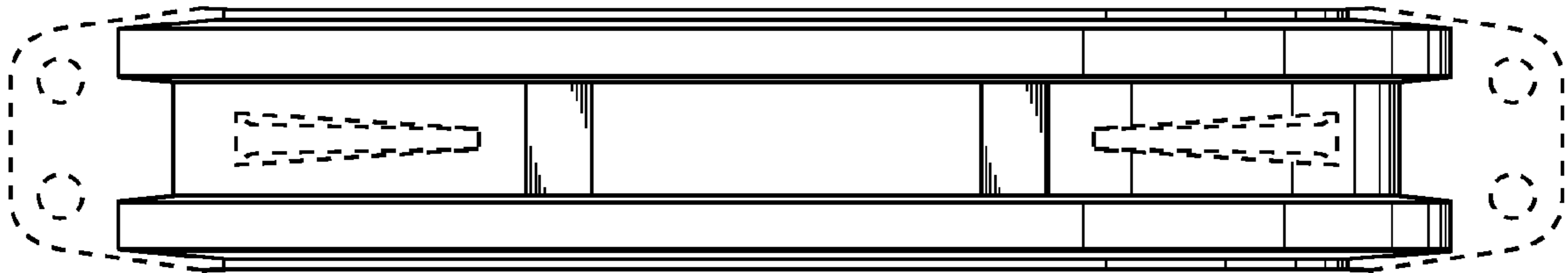


FIG. 4

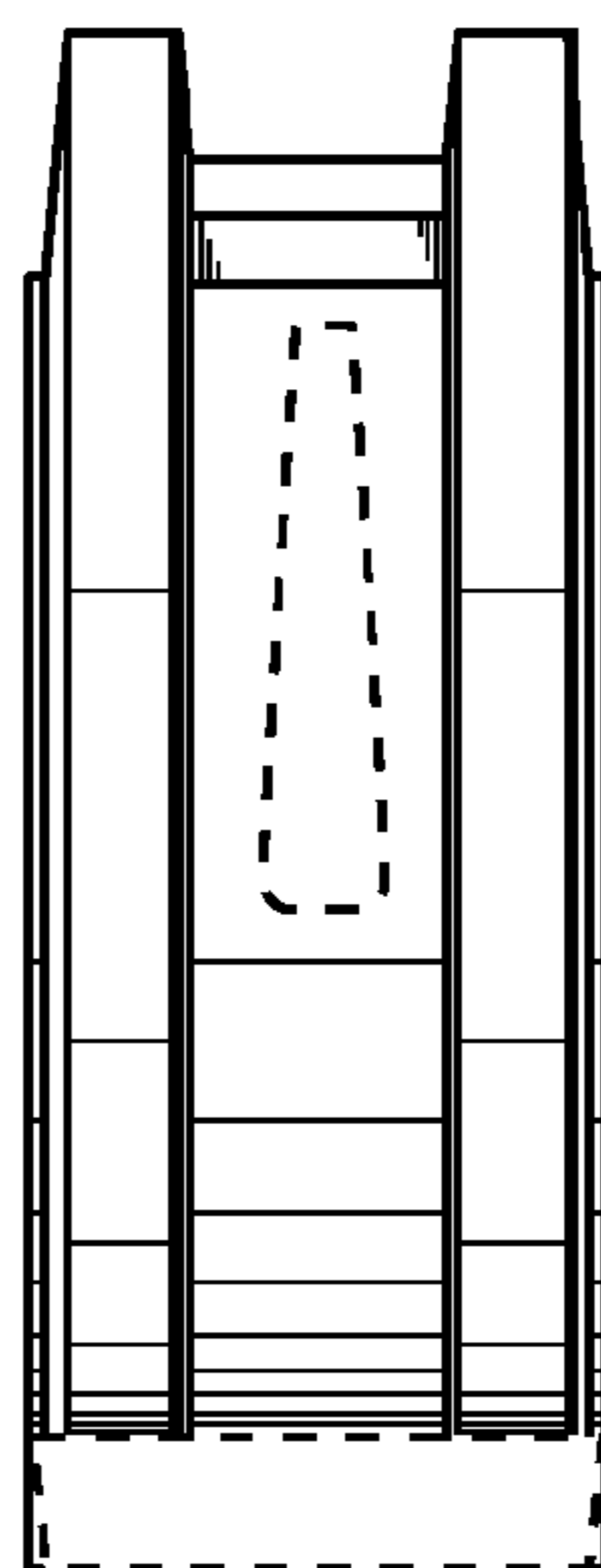
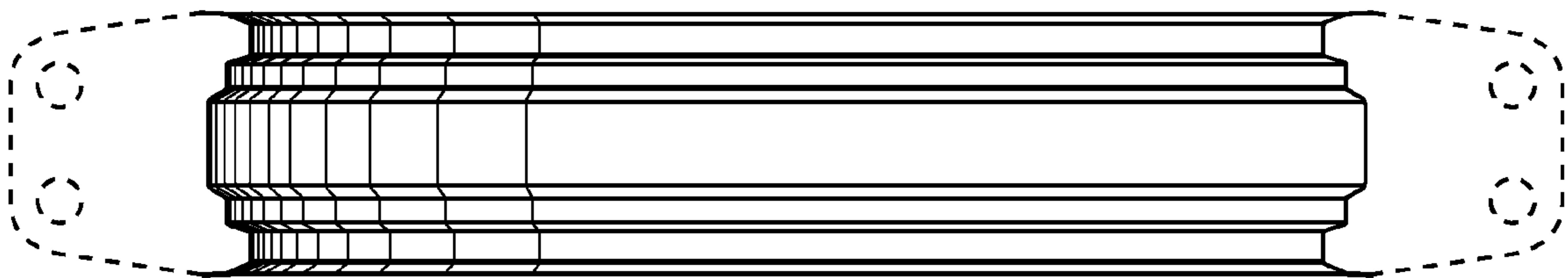


FIG. 5