



US00D612457S

(12) **United States Design Patent**  
**Allard**

(10) **Patent No.:** **US D612,457 S**  
(45) **Date of Patent:** **\*\* Mar. 23, 2010**

(54) **SPOUT**

(75) Inventor: **Jochen Allard**, Menden (DE)

(73) Assignee: **Grohe AG**, Hemer (DE)

(\*\*) Term: **14 Years**

(21) Appl. No.: **29/343,048**

(22) Filed: **Sep. 4, 2009**

(30) **Foreign Application Priority Data**

Mar. 4, 2009 (EM) ..... 001098370-0001

(51) **LOC (9) Cl.** ..... **23-02**

(52) **U.S. Cl.** ..... **D23/255**

(58) **Field of Classification Search** ..... D23/238,  
D23/241-243, 255-257; 4/675-678; 137/801  
See application file for complete search history.

(56) **References Cited**

**U.S. PATENT DOCUMENTS**

D364,215 S \* 11/1995 Starck ..... D23/242  
D529,580 S \* 10/2006 Shieh ..... D23/238

\* cited by examiner

*Primary Examiner*—Robert A Delehanty

(74) *Attorney, Agent, or Firm*—Muncy, Geissler, Olds & Lowe, PLLC

(57) **CLAIM**

The ornamental design of a spout, as shown and described.

**DESCRIPTION**

FIG. 1 is a perspective view of a spout according to a first embodiment of the invention.

FIG. 2 is a left side elevational view of the spout of FIG. 1, the right side elevational view being a mirror image thereof.

FIG. 3 is a rear elevational view of the spout of FIG. 1.

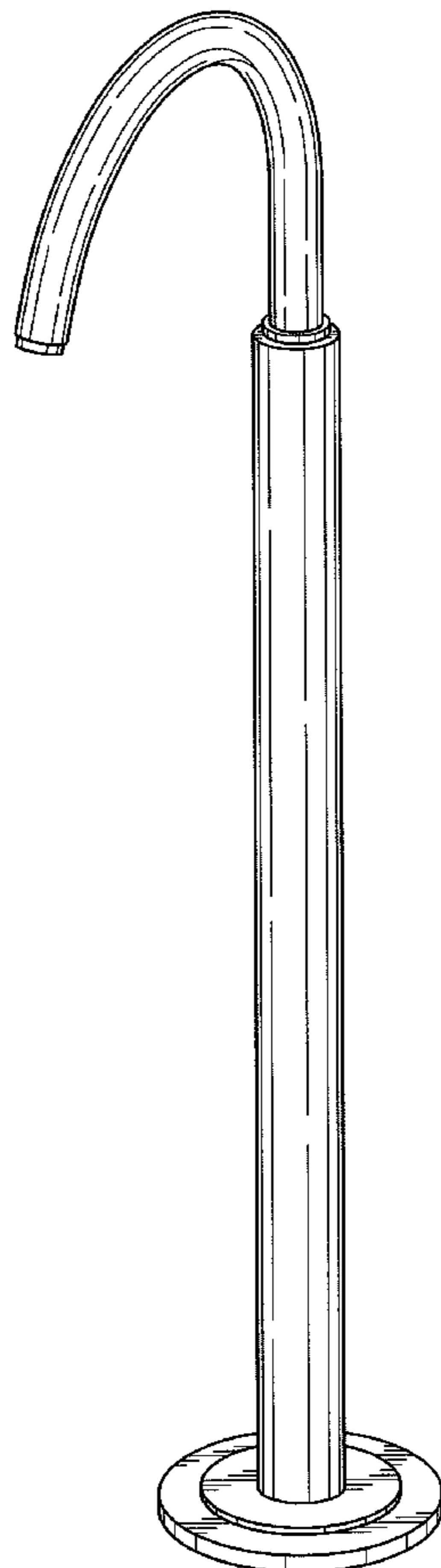
FIG. 4 is a front elevational view of the spout of FIG. 1.

FIG. 5 is a top plan view of the spout of FIG. 1; and,

FIG. 6 is a bottom plan view of the spout of FIG. 1.

The dashed lines illustrate environment that does not form a part of the present invention, and no claim is made to the material illustrated with dashed lines.

**1 Claim, 5 Drawing Sheets**



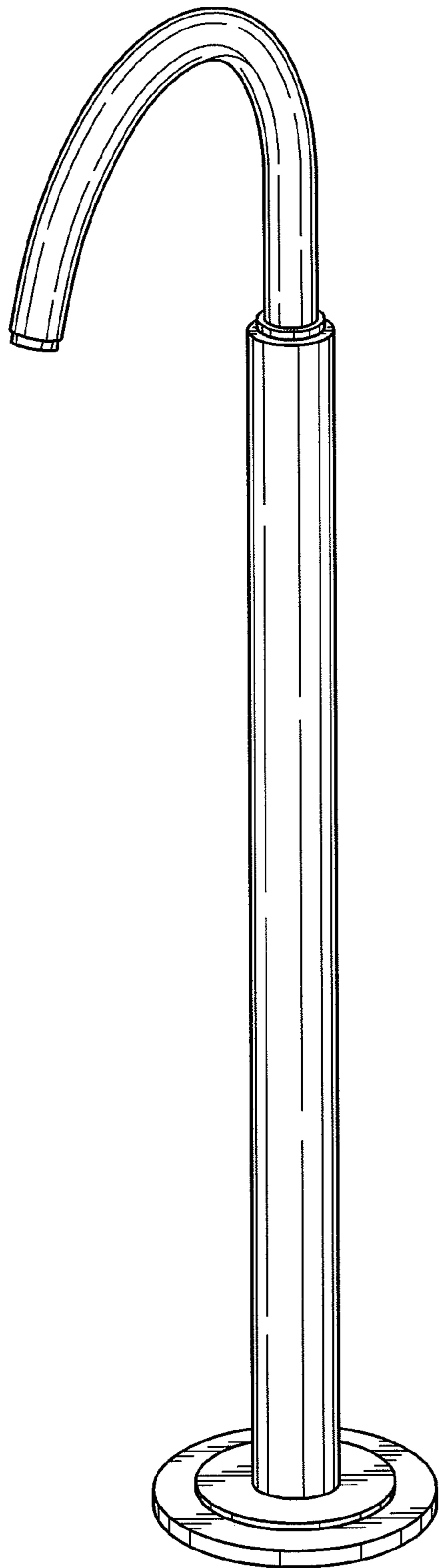
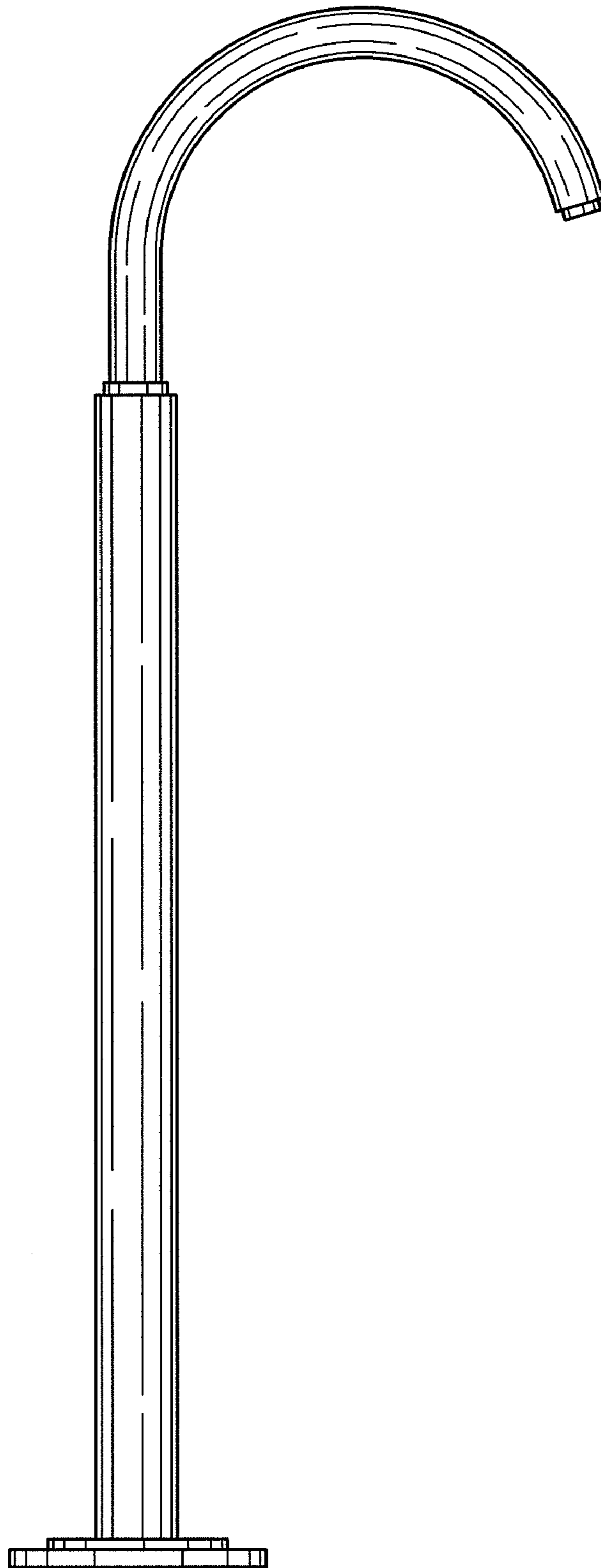


Fig. 1



**Fig. 2**

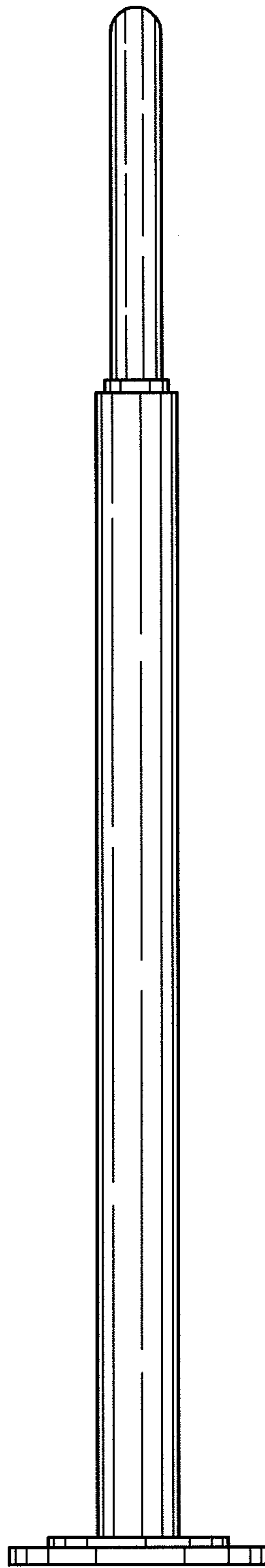


Fig. 3

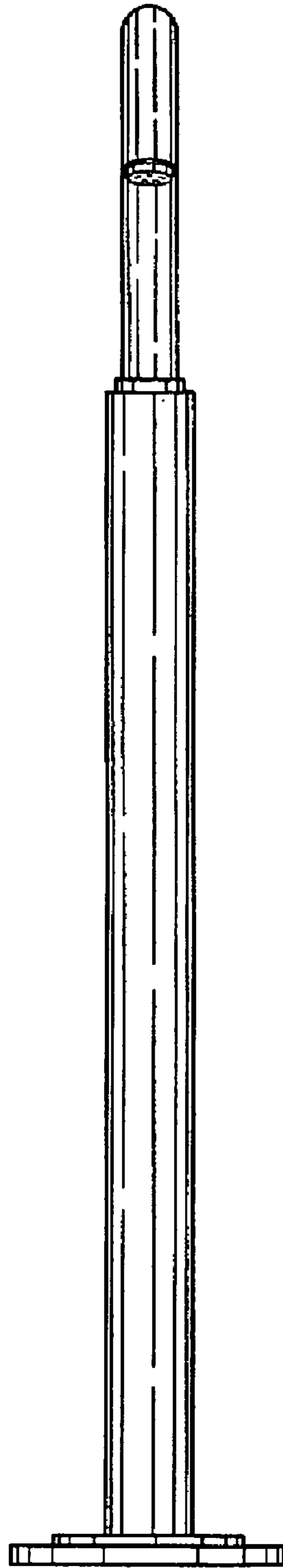
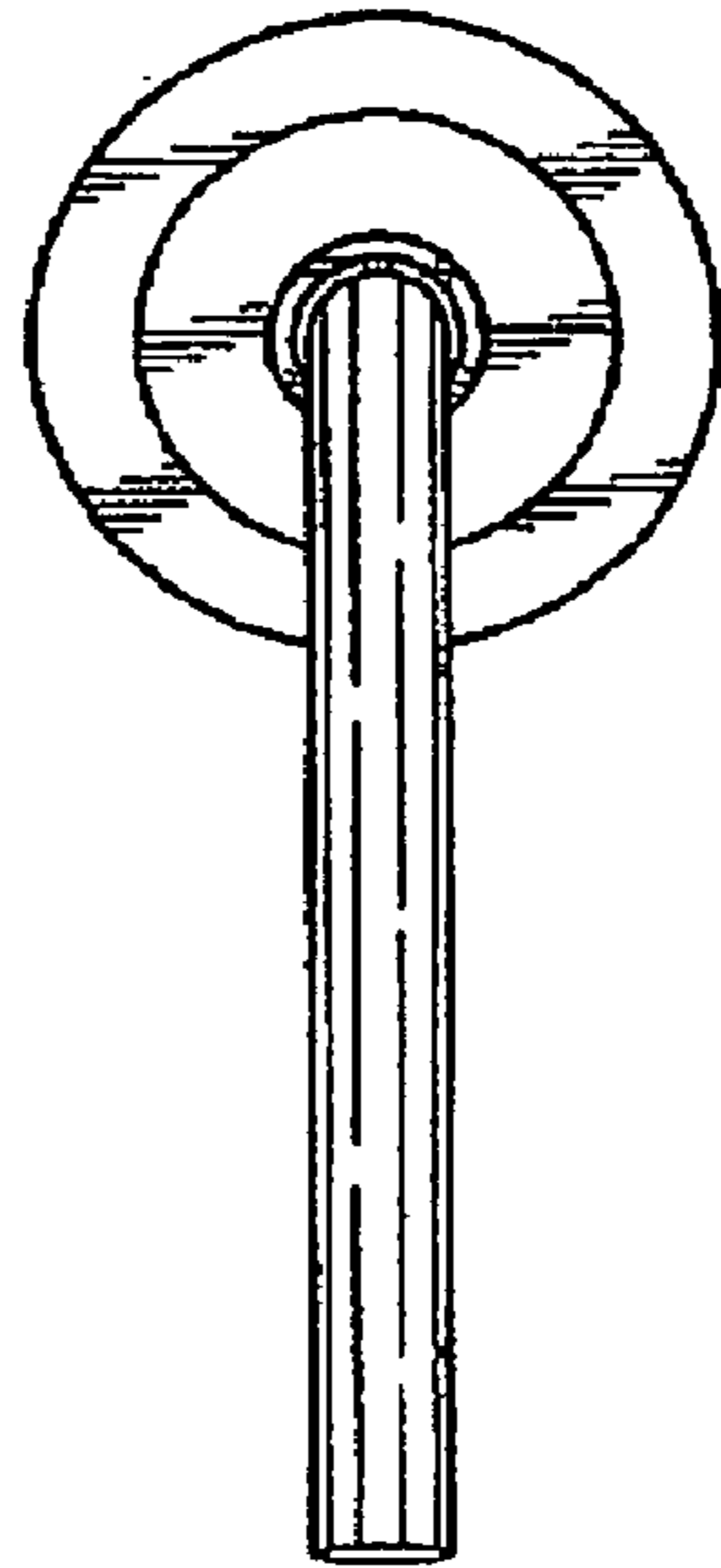
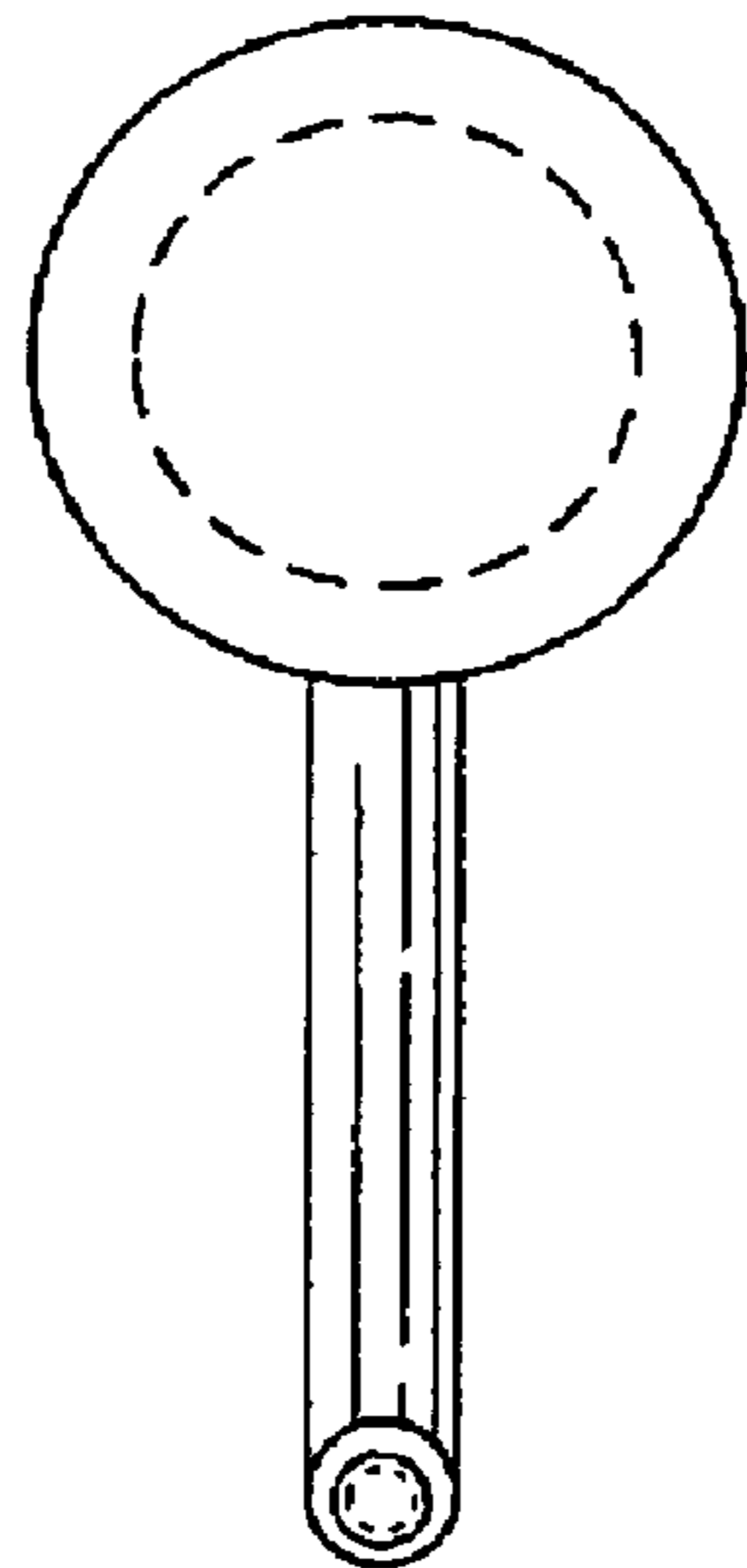


Fig. 4



**Fig. 5**



**Fig. 6**