



US00D612452S

(12) **United States Design Patent**
Nugent et al.

(10) **Patent No.:** **US D612,452 S**

(45) **Date of Patent:** **** Mar. 23, 2010**

(54) **POWER WATER JET**

D567,333 S * 4/2008 Rigolio D23/226
D574,464 S * 8/2008 Rigolio D23/226

(76) Inventors: **Michae Nugent**, 2624 Providence St.,
Fort Myers, FL (US) 33916; **Mark B.**
Isler, 99611 Overseas Hwy., PMB 157,
Key Largo, FL (US) 33037

* cited by examiner

Primary Examiner—Robin V Webster
(74) *Attorney, Agent, or Firm*—Harpman & Harpman

(**) Term: **14 Years**

(57) **CLAIM**

(21) Appl. No.: **29/316,320**

The ornamental design for a power water jet, as shown and described.

(22) Filed: **Sep. 14, 2009**

DESCRIPTION

(51) **LOC (9) Cl.** **23-01**

(52) **U.S. Cl.** **D23/226**

(58) **Field of Classification Search** D23/213,
D23/223, 226; 239/525–527, 532
See application file for complete search history.

FIG. 1 is a perspective view of the power water jet of the invention.

FIG. 2 is a rear elevational view thereof.

FIG. 3 is a bottom elevational view thereof.

FIG. 4 is a right end view thereof; and,

FIG. 5 is a left end view thereof.

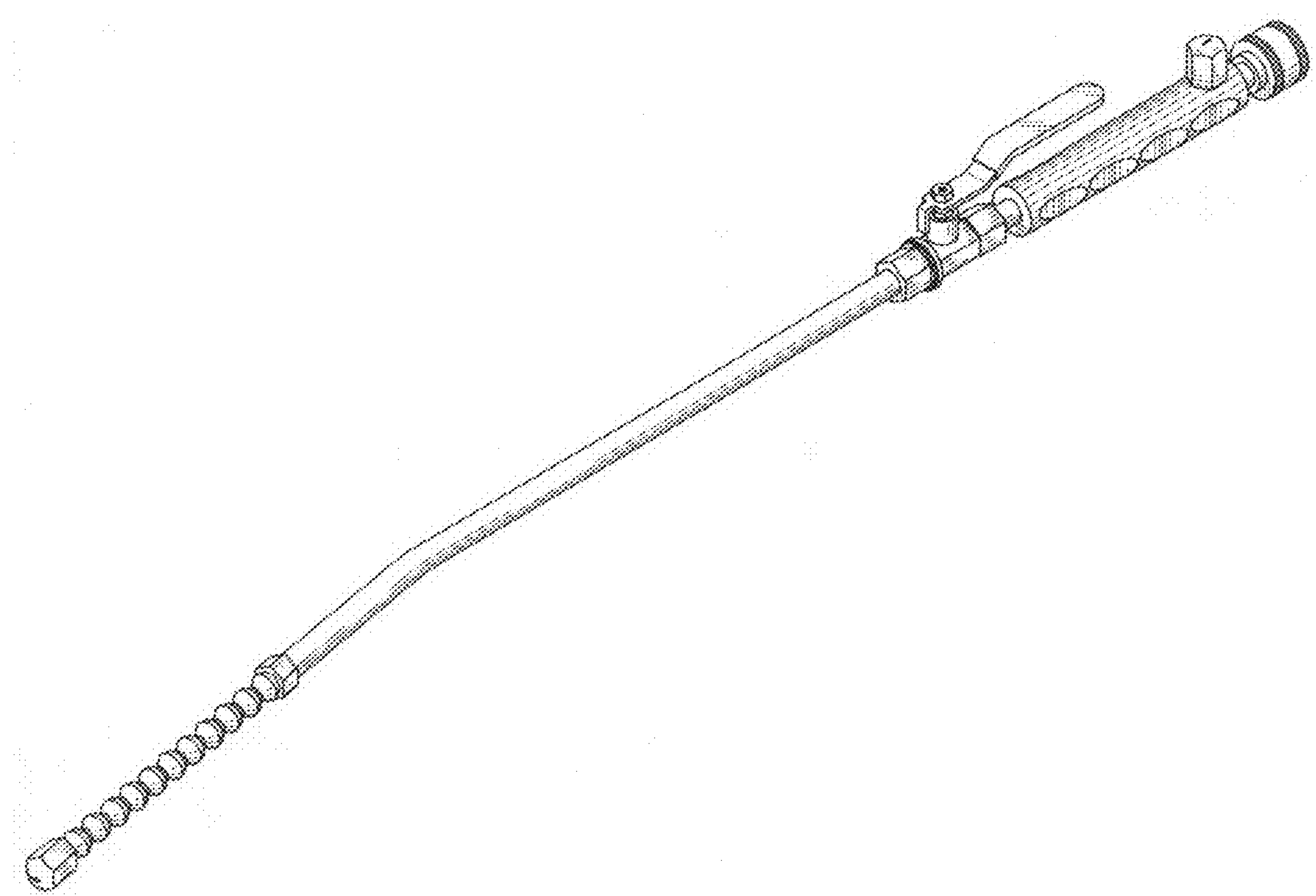
The claimed design is shown fragmented to indicate indeterminate length.

(56) **References Cited**

U.S. PATENT DOCUMENTS

D214,562 S * 7/1969 Studinger D23/226
D425,603 S * 5/2000 Guo D23/226
6,422,485 B1 * 7/2002 Hsu 239/526
D555,767 S * 11/2007 Carpanese D23/226

1 Claim, 3 Drawing Sheets



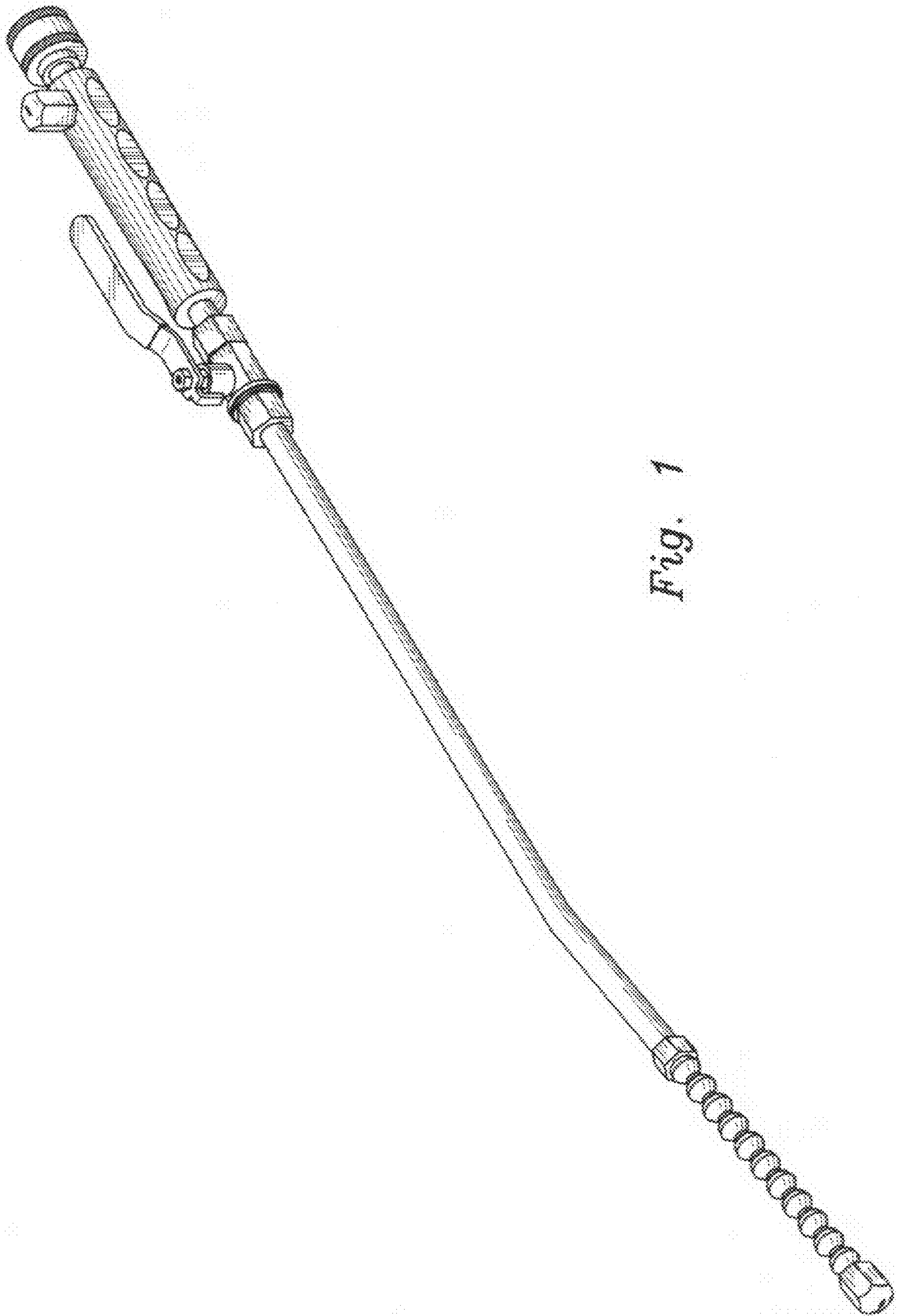


Fig. 1

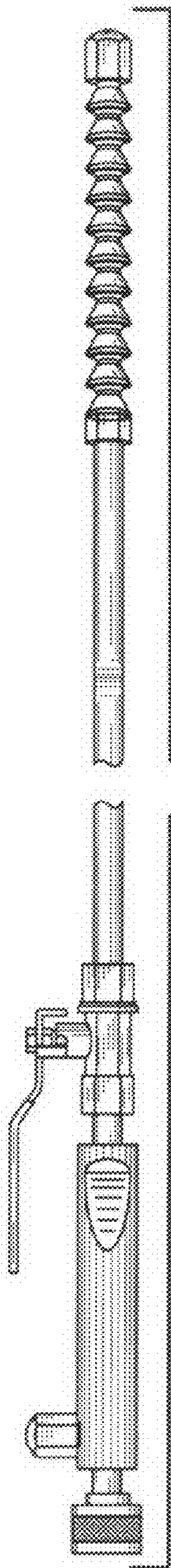


Fig. 2

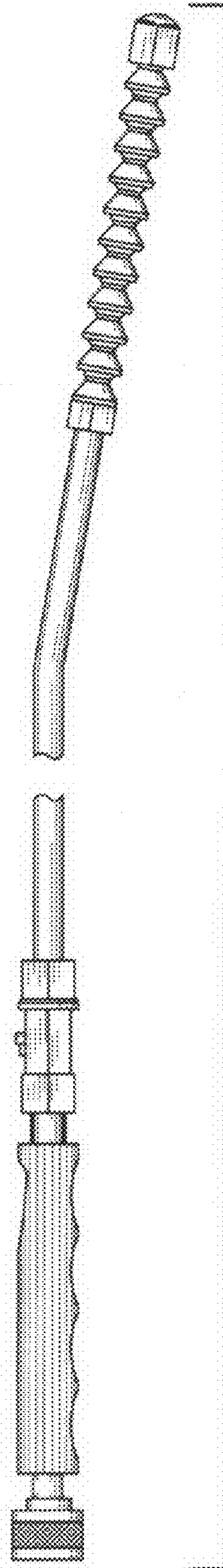


Fig. 3

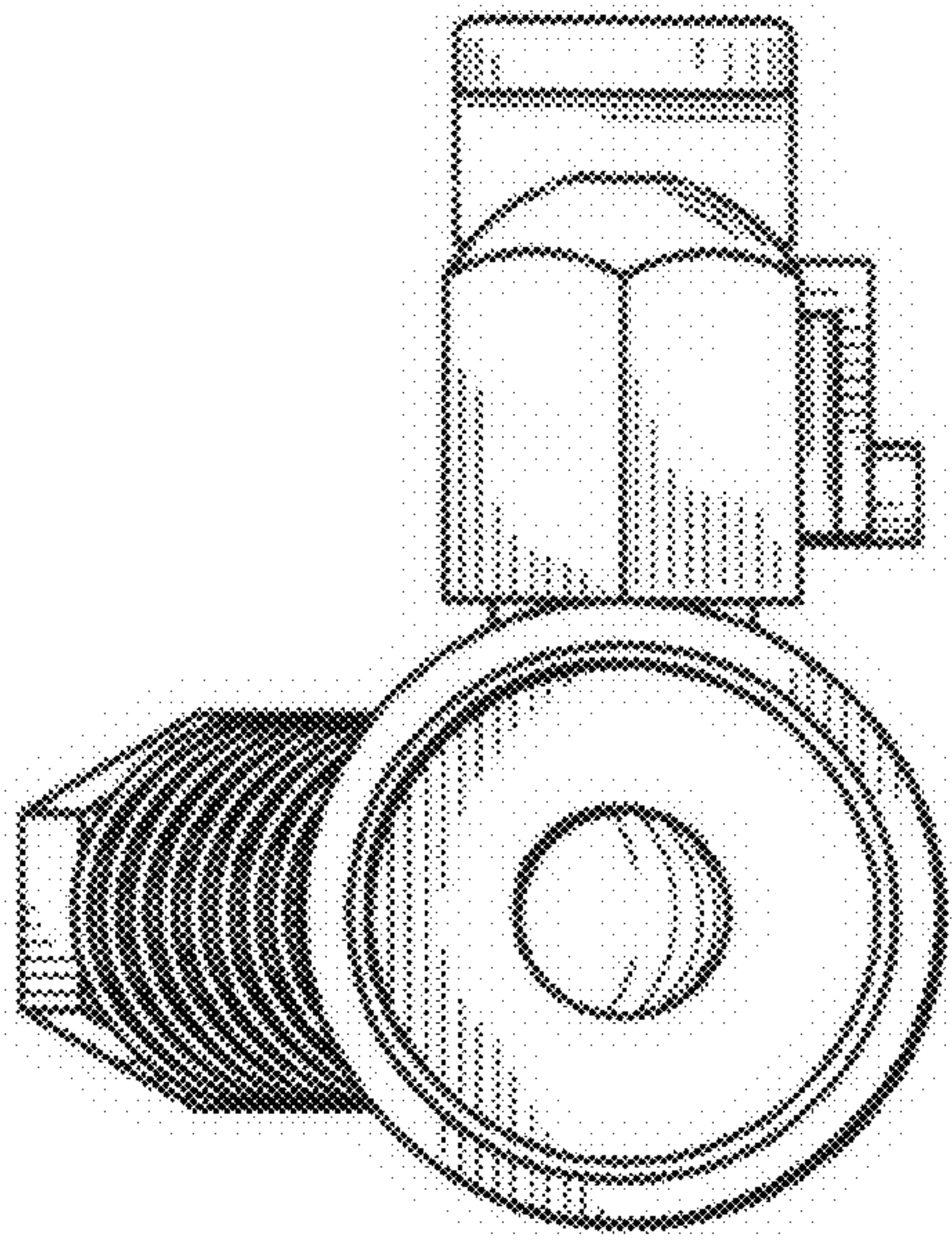


Fig. 4

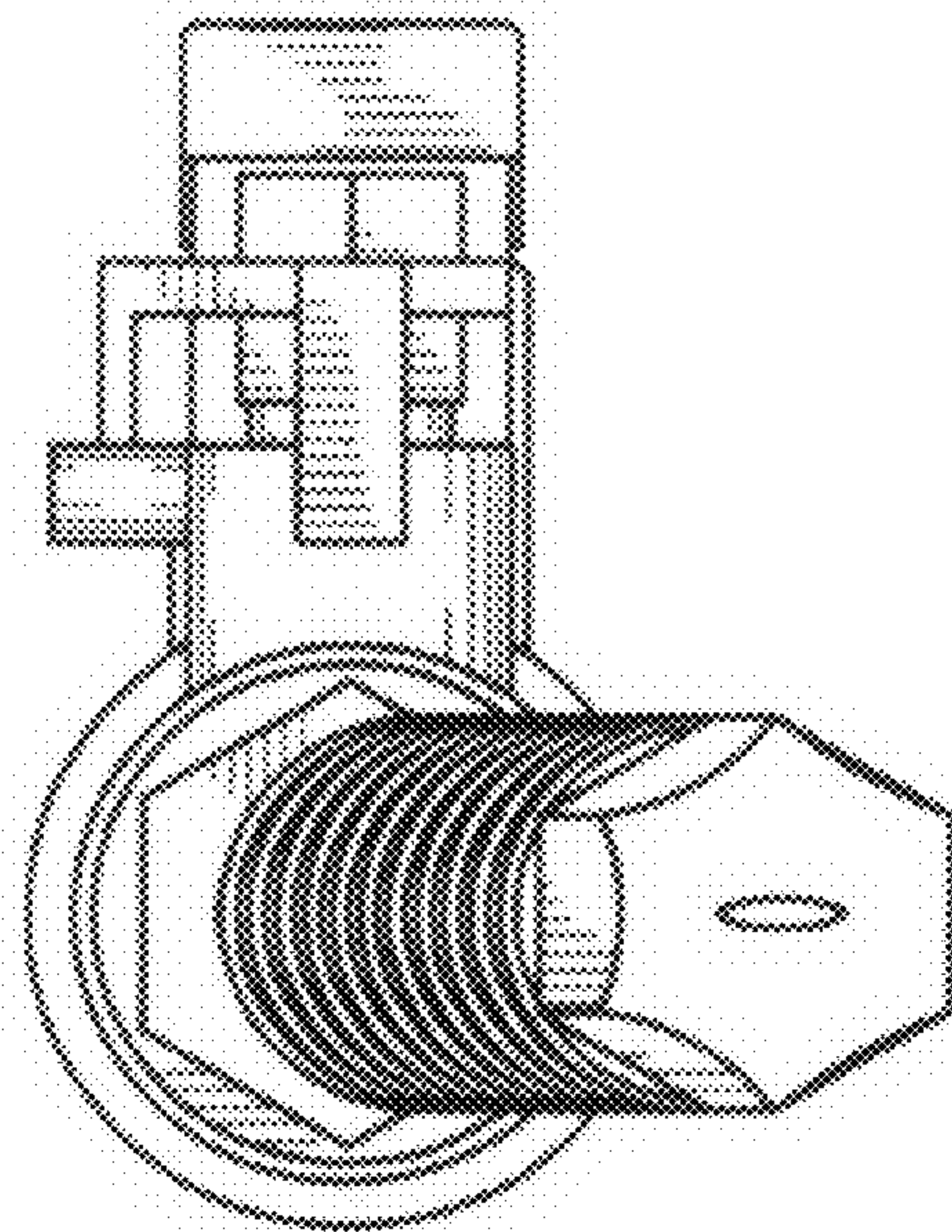


Fig. 5