



US00D612451S

(12) **United States Design Patent**  
**Nugent et al.**

(10) **Patent No.:** **US D612,451 S**  
(45) **Date of Patent:** **\*\* Mar. 23, 2010**

(54) **POWER WATER JET**

(76) Inventors: **Michael Nugent**, 2624 Providence St.,  
Fort Myers, FL (US) 33916; **Mark B.**  
**Isler**, 99611 Overseas Hwy., PMB 157,  
Key Largo, FL (US) 33037

(\*\*) Term: **14 Years**

(21) Appl. No.: **29/315,884**

(22) Filed: **Aug. 3, 2009**

(51) **LOC (9) Cl.** ..... **23-01**

(52) **U.S. Cl.** ..... **D23/226**

(58) **Field of Classification Search** ..... D23/213,  
D23/223, 226; 239/525–527, 532  
See application file for complete search history.

(56) **References Cited**

U.S. PATENT DOCUMENTS

D214,562 S \* 7/1969 Studinger ..... D23/226  
D425,603 S \* 5/2000 Guo ..... D23/226  
6,422,485 B1 \* 7/2002 Hsu ..... 239/526

D555,767 S \* 11/2007 Carpanese ..... D23/226  
D567,333 S \* 4/2008 Rigolio ..... D23/226  
D574,464 S \* 8/2008 Rigolio ..... D23/226

\* cited by examiner

*Primary Examiner*—Robin V Webster  
(74) *Attorney, Agent, or Firm*—Harpman & Harpman

(57) **CLAIM**

The ornamental design for a power water jet, as shown and described.

**DESCRIPTION**

FIG. 1 is a perspective view of the power water jet of the invention.

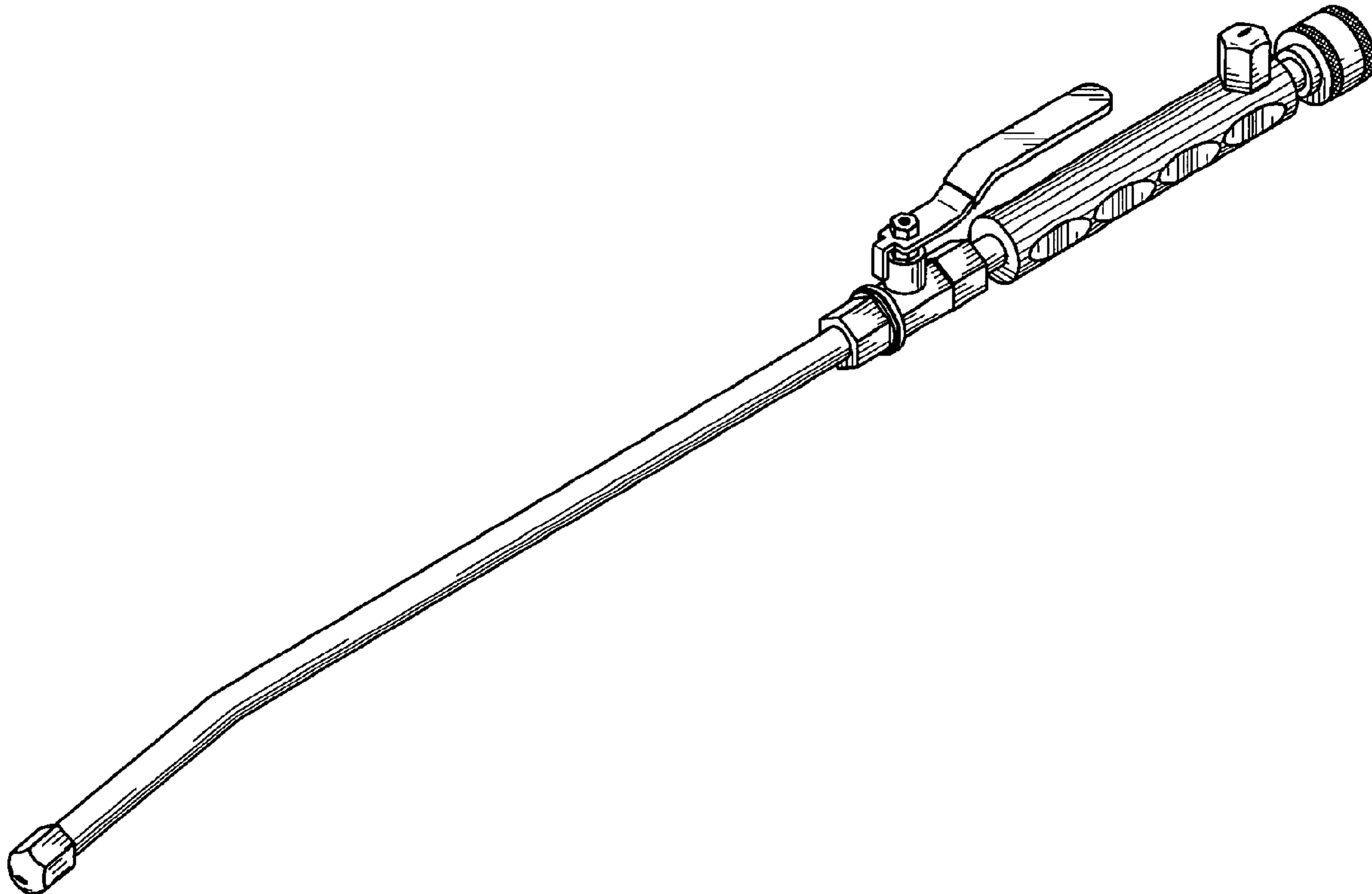
FIG. 2 is a rear elevational view thereof.

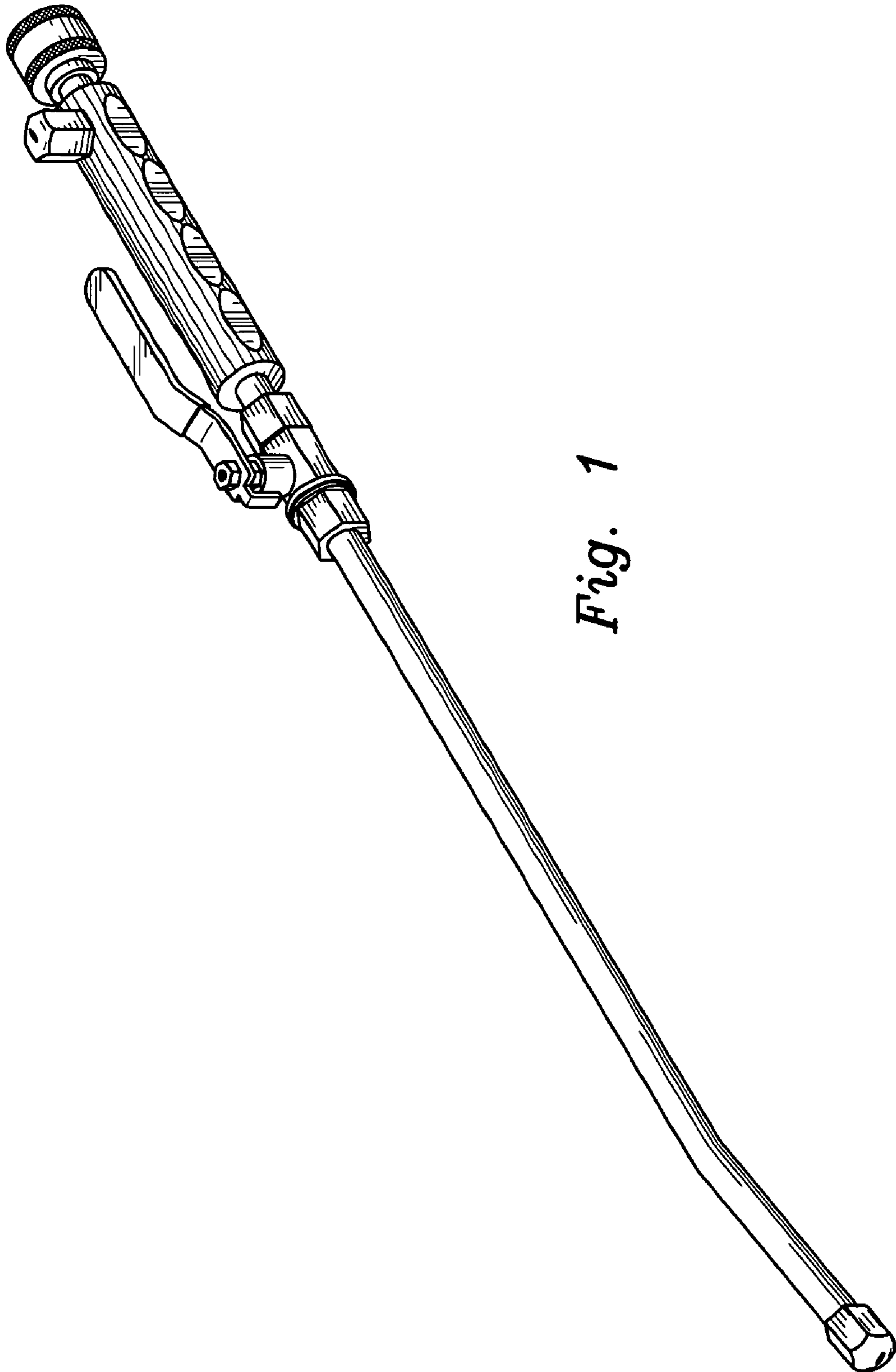
FIG. 3 is a bottom elevational view thereof.

FIG. 4 is a right end view thereof; and,

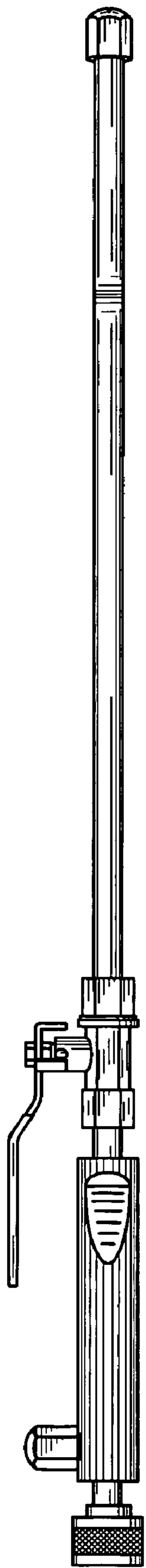
FIG. 5 is a left end view thereof.

**1 Claim, 3 Drawing Sheets**

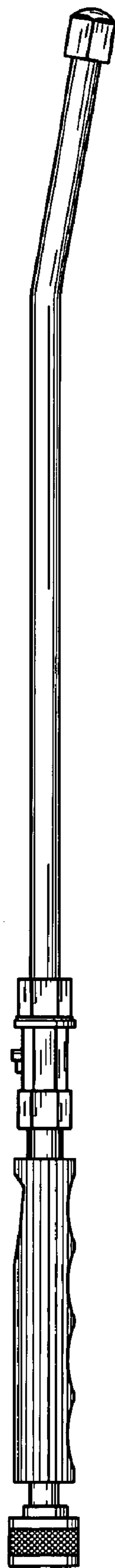




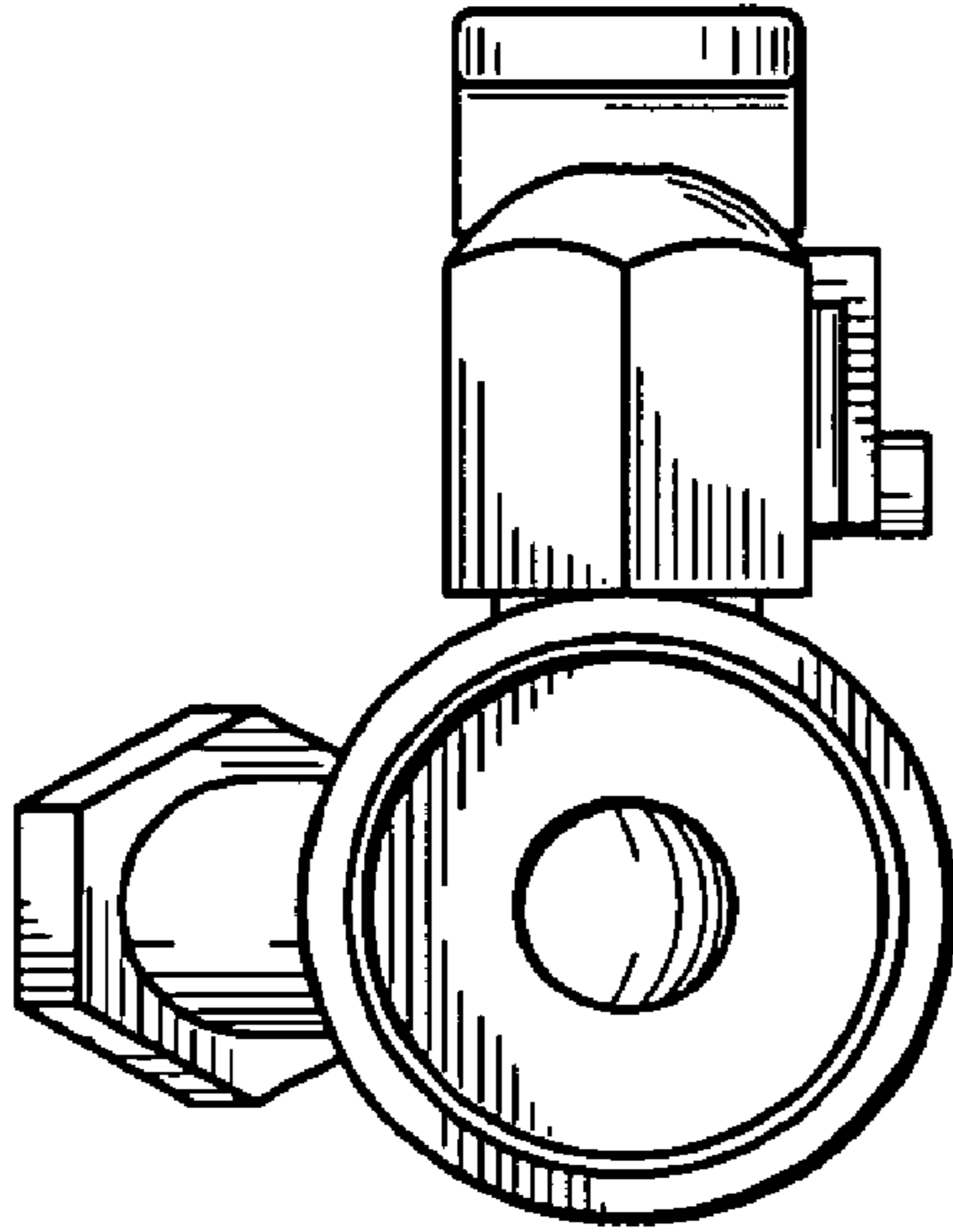
*Fig. 1*



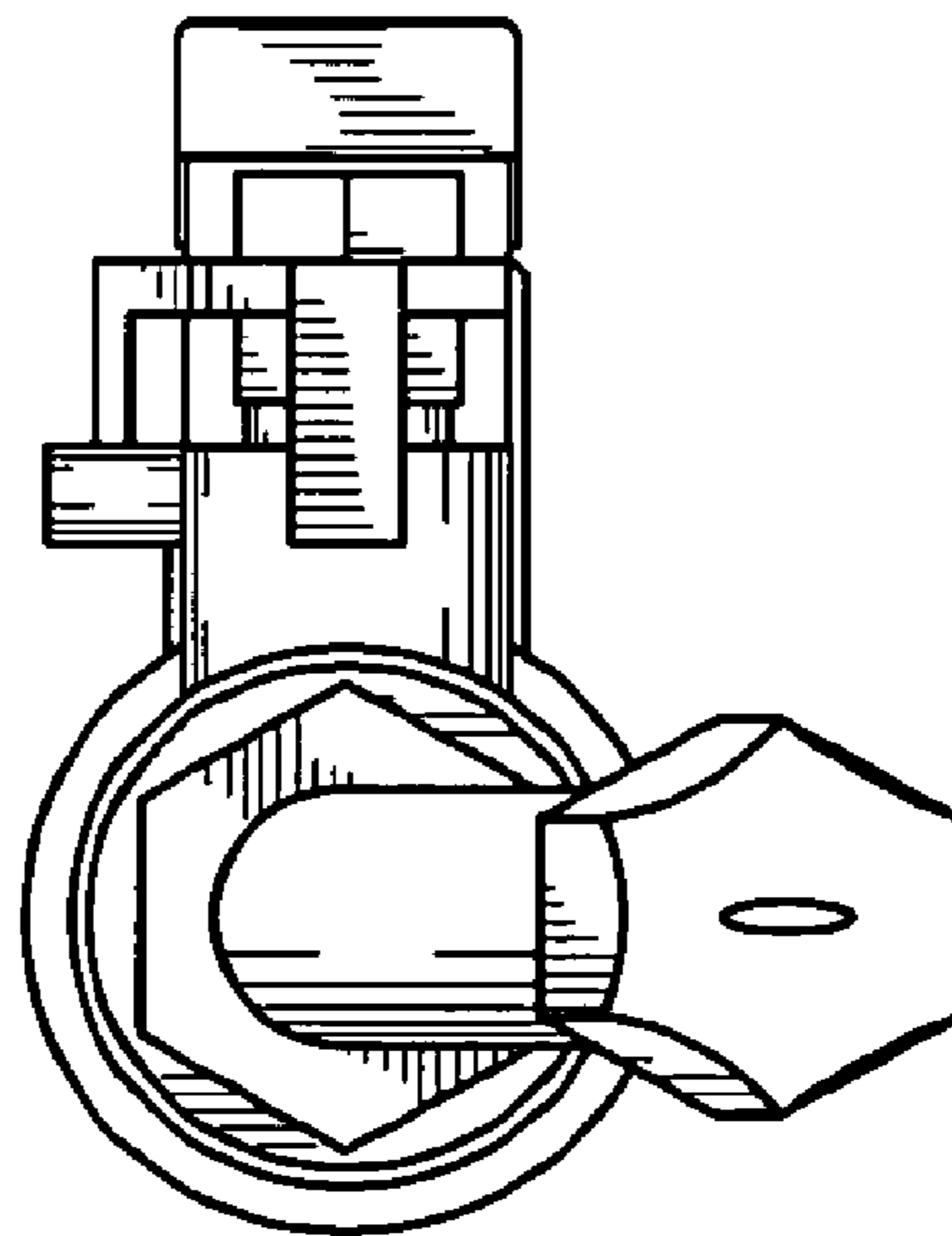
*Fig. 2*



*Fig. 3*



*Fig. 4*



*Fig. 5*