



US00D612448S

(12) **United States Design Patent**
Richardson

(10) **Patent No.:** **US D612,448 S**

(45) **Date of Patent:** **** Mar. 23, 2010**

(54) **MODULAR TANK**

Primary Examiner—Robin V Webster

(76) **Inventor:** **John L. Richardson**, 4412 West 5th Avenue, Vancouver, BC (CA) V6M 3W6

(57) **CLAIM**

The ornamental design for modular tank, as shown and described.

(**) **Term:** **14 Years**

(21) **Appl. No.:** **29/309,544**

(22) **Filed:** **Sep. 2, 2008**

DESCRIPTION

(51) **LOC (9) Cl.** **23-01**

FIG. 1 is a perspective view of a modular tank showing my new design;

(52) **U.S. Cl.** **D23/202**

FIG. 2 is a top plan view of the modular tank of FIG. 1;

(58) **Field of Classification Search** D23/202–205; 220/587, 565, 567.1, 581, 532.2, 533
See application file for complete search history.

FIG. 3 is a front elevational view of the modular tank of FIG. 1, a rear elevational view being equivalent;

(56) **References Cited**

U.S. PATENT DOCUMENTS

D251,674 S *	4/1979	Sayward	D23/202
D348,920 S *	7/1994	Shero	D23/202
D430,919 S *	9/2000	Claussen	D23/202
D514,192 S *	1/2006	Stoner	D23/202

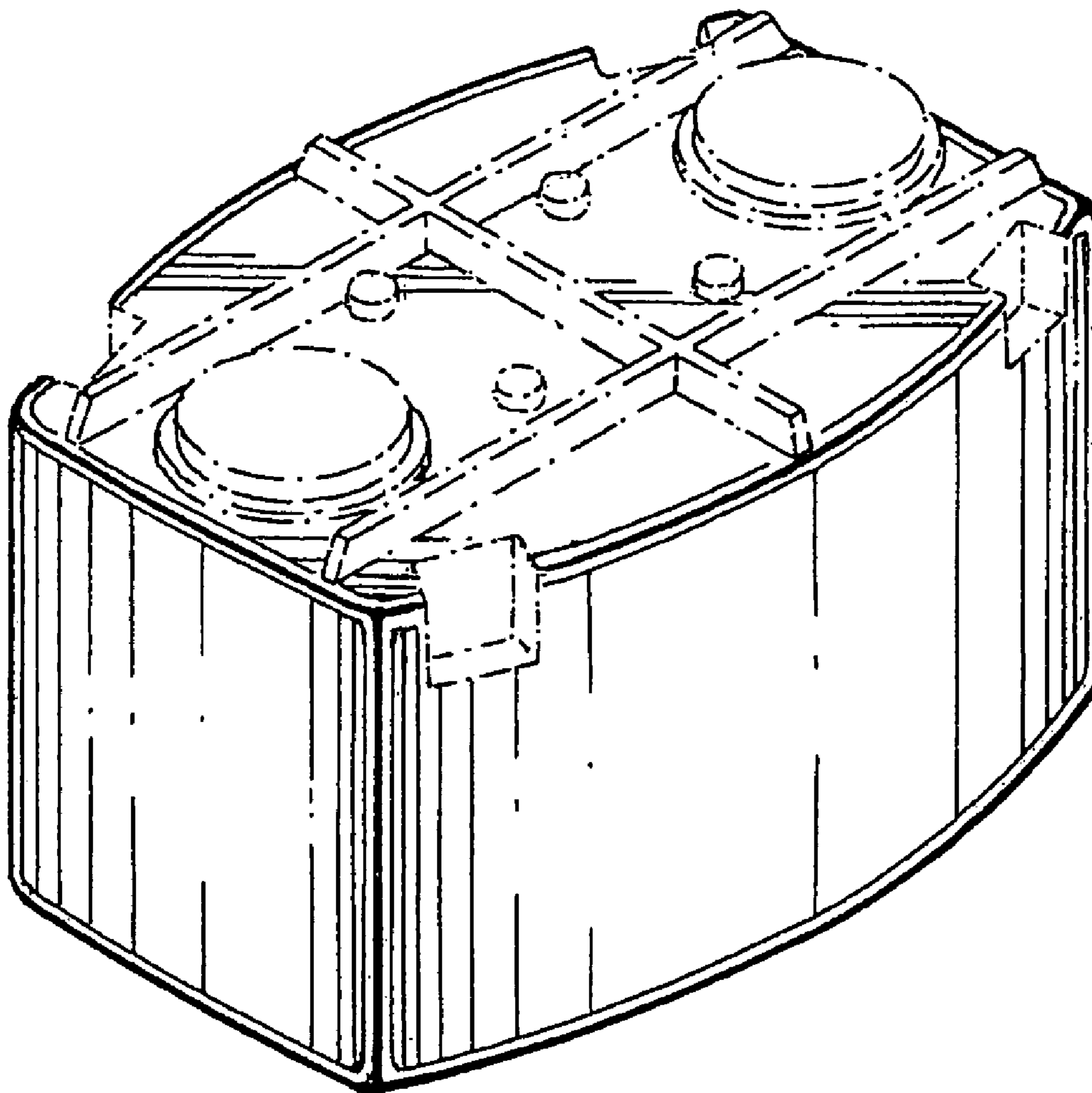
FIG. 4 is a bottom plan view of the modular tank of FIG. 1; and,

FIG. 5 is a left side elevational view of the modular tank of FIG. 1, a right side elevational view being equivalent.

The broken line showing of the environment is for illustrative purposes only and forms no part of the claimed design.

* cited by examiner

1 Claim, 2 Drawing Sheets



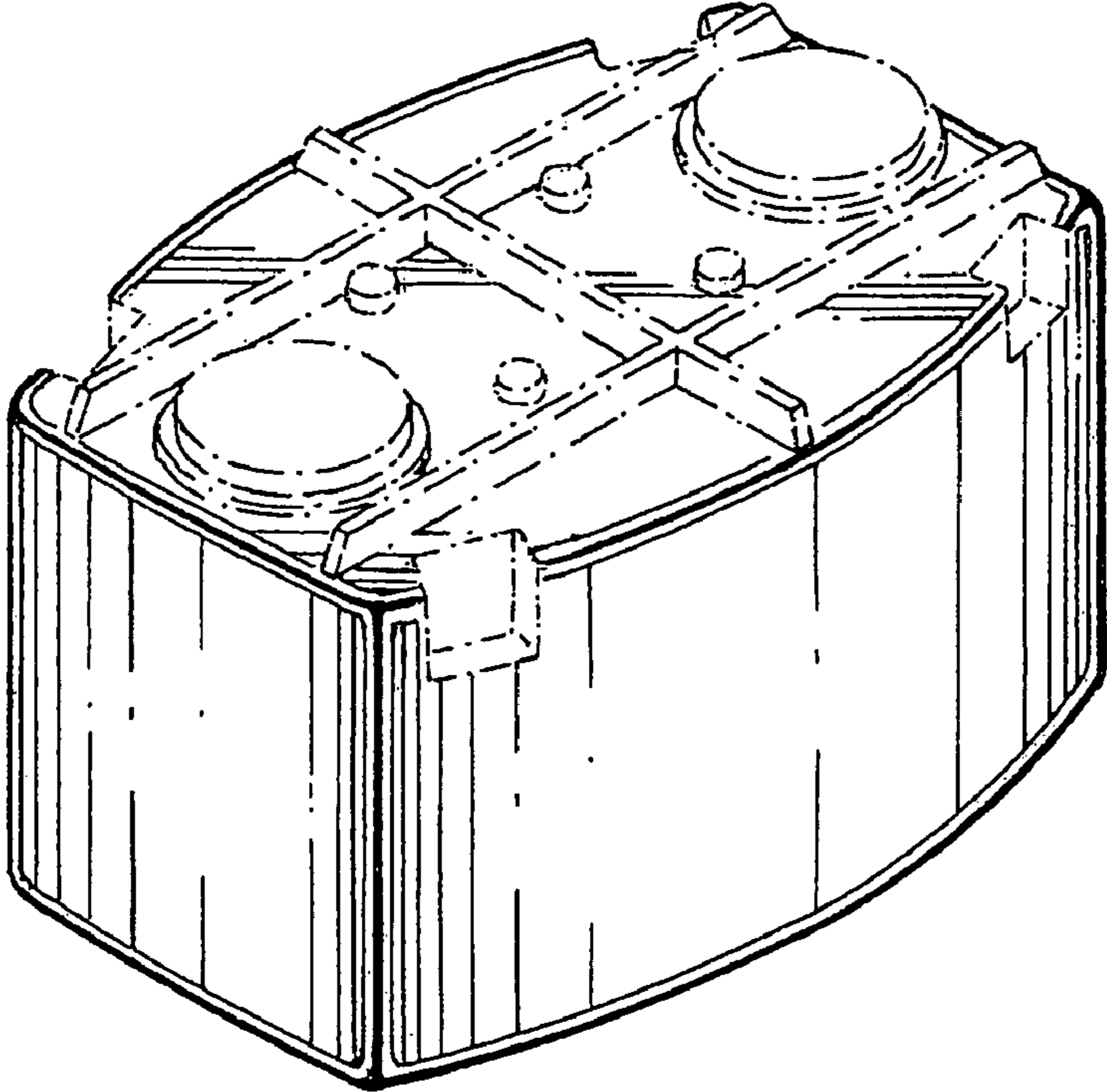


FIG. 1

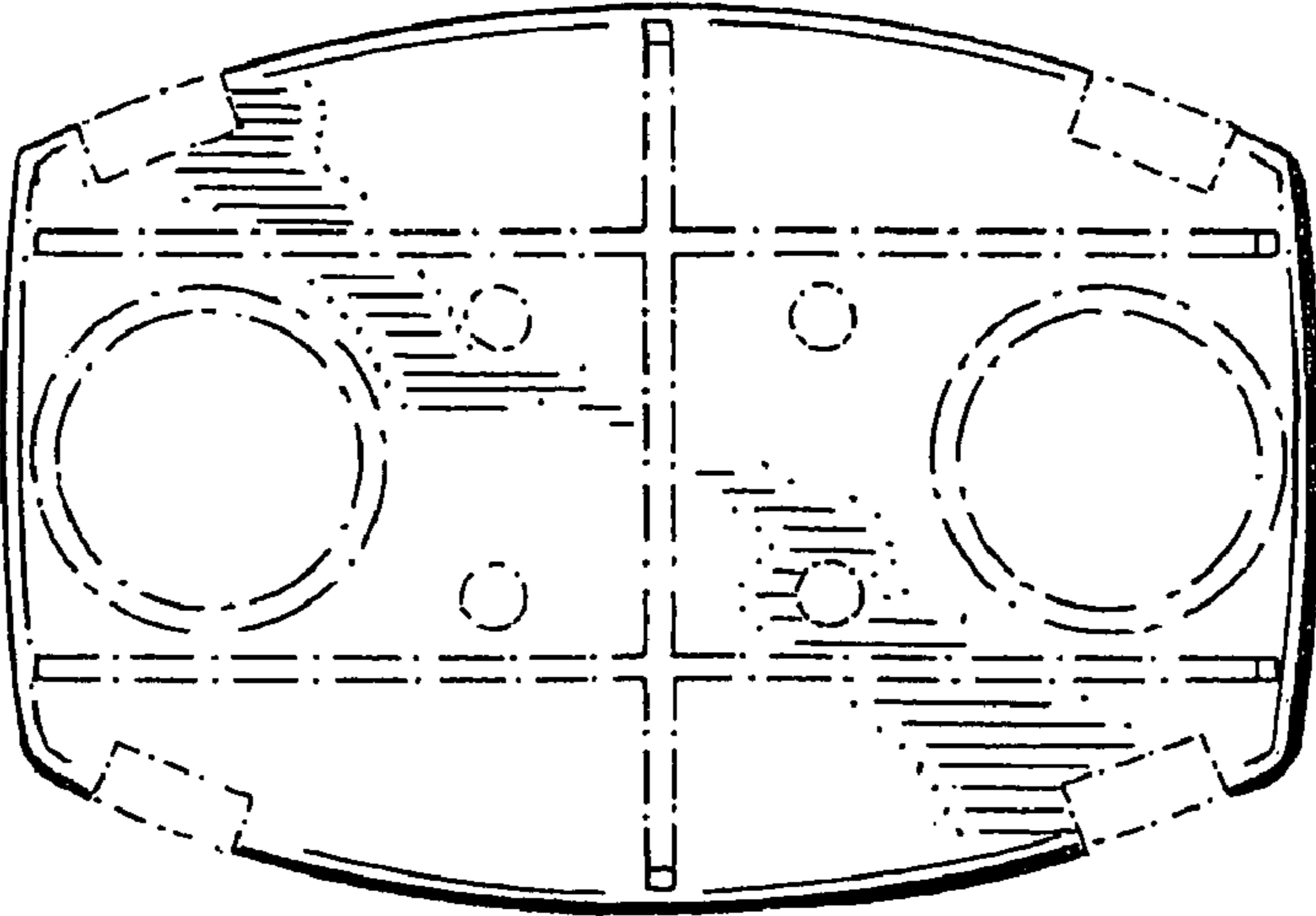


FIG. 2

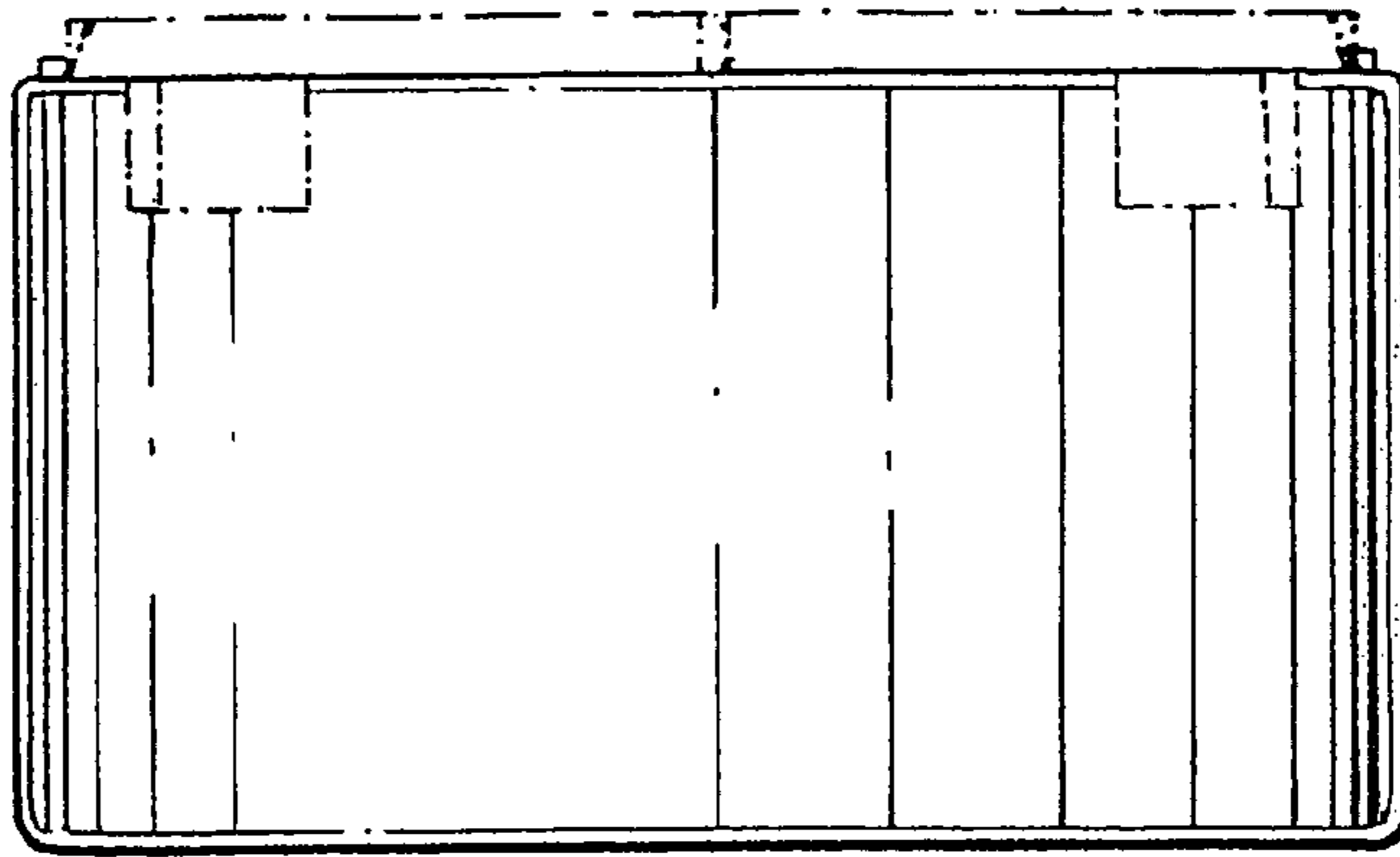


FIG. 3

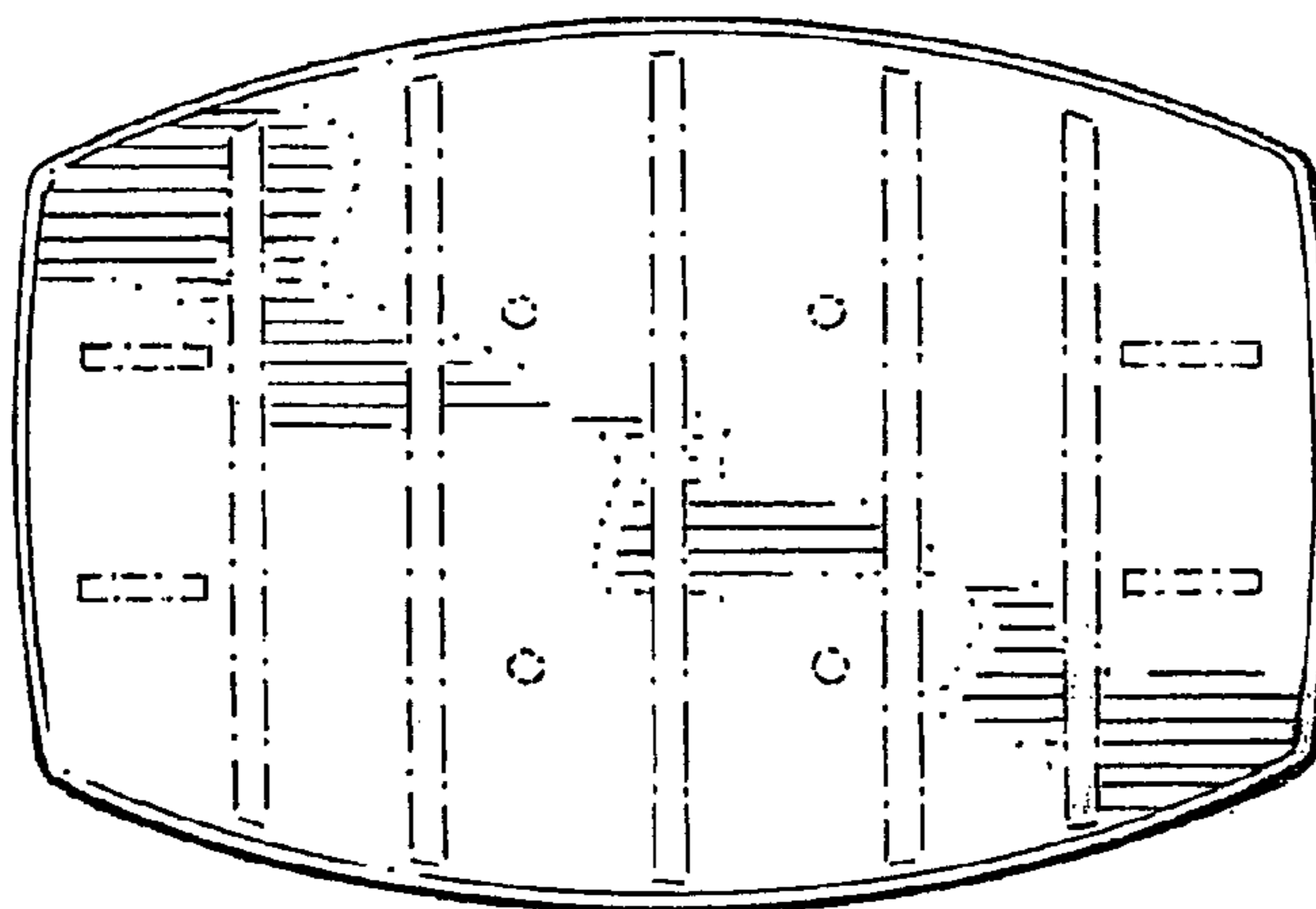


FIG. 4

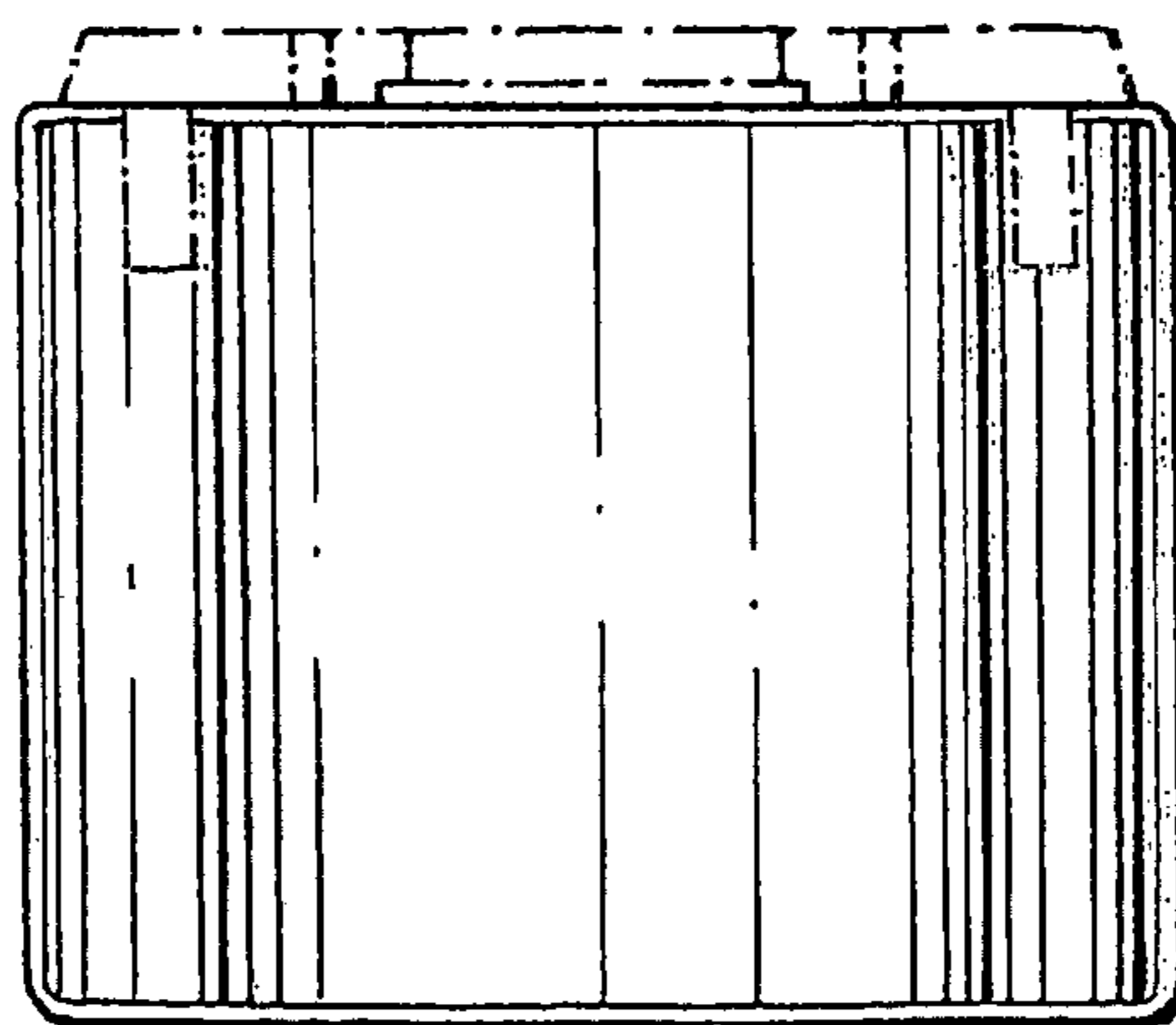


FIG. 5