



US00D612447S

(12) **United States Design Patent**
Galili

(10) **Patent No.:** **US D612,447 S**
(45) **Date of Patent:** **** Mar. 23, 2010**

(54) **MOSQUITO TRAP**

D532,479 S * 11/2006 Child D22/122

(75) Inventor: **Amir Galili**, Tel Aviv (IL)

* cited by examiner

(73) Assignee: **Westham Ltd.**, Tel Aviv (IL)

Primary Examiner—Catherine R Oliver
(74) *Attorney, Agent, or Firm*—Mark M. Friedman

(**) Term: **14 Years**

(57) **CLAIM**

(21) Appl. No.: **29/339,393**

The ornamental design for a mosquito trap, as shown.

(22) Filed: **Jun. 30, 2009**

DESCRIPTION

(51) **LOC (9) Cl.** **22-06**

(52) **U.S. Cl.** **D22/123**

(58) **Field of Classification Search** D22/119–124;
43/107, 112–113, 122, 124, 132.1, 133, 139
See application file for complete search history.

FIG. 1 is a top perspective view of the mosquito trap showing my new design;

FIG. 2 is a right side elevation view thereof;

FIG. 3 is a left side elevation view thereof;

FIG. 4 is a rear elevation view thereof;

FIG. 5 is a front elevation view thereof;

FIG. 6 is a bottom plan view thereof; and,

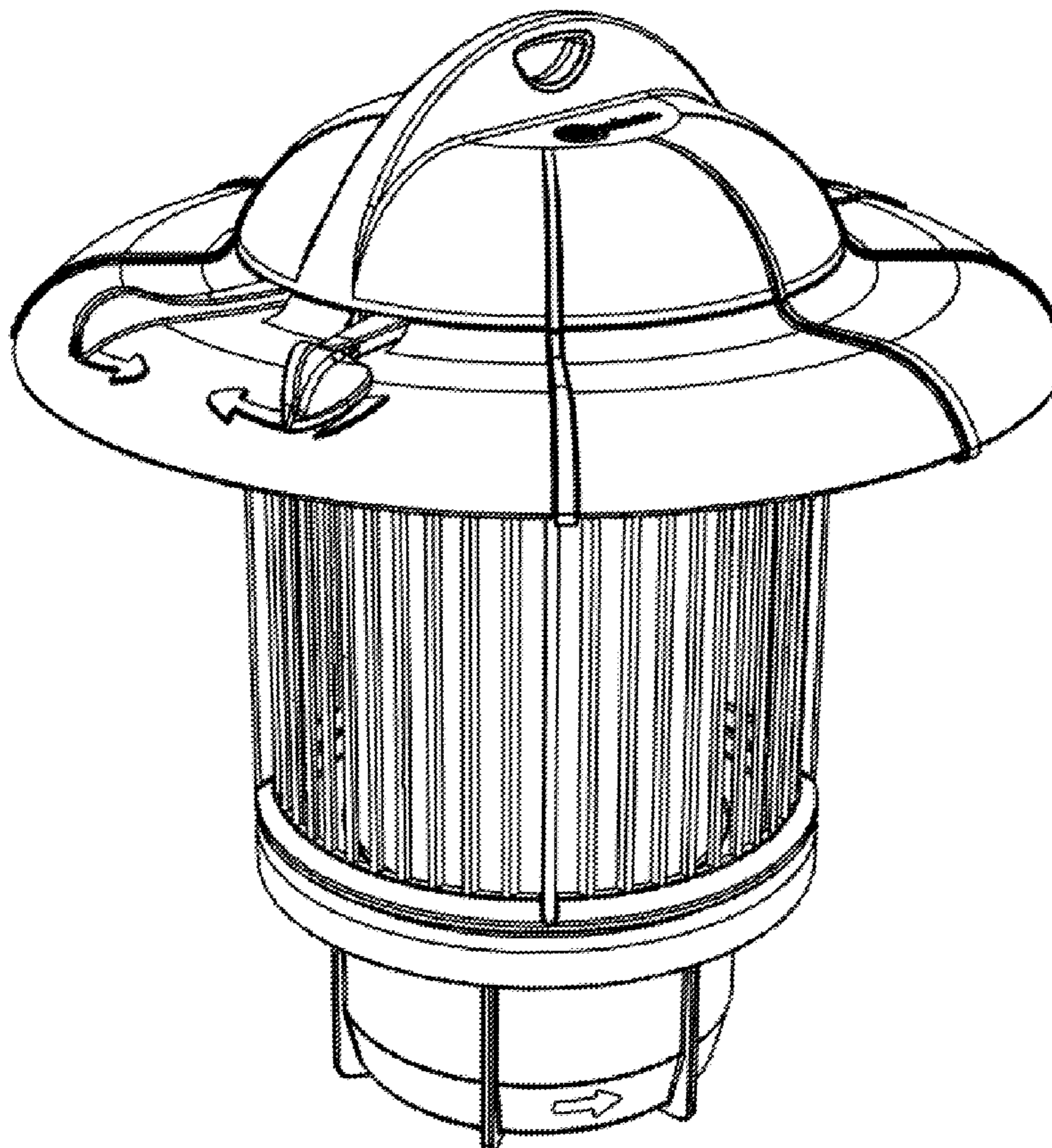
FIG. 7 is a top plan view.

(56) **References Cited**

U.S. PATENT DOCUMENTS

D421,477 S	*	3/2000	Kalal	D22/122
D492,381 S	*	6/2004	Chuang et al.	D22/122
D514,656 S	*	2/2006	Jean	D22/122
D524,902 S	*	7/2006	Masters et al.	D22/122

1 Claim, 7 Drawing Sheets



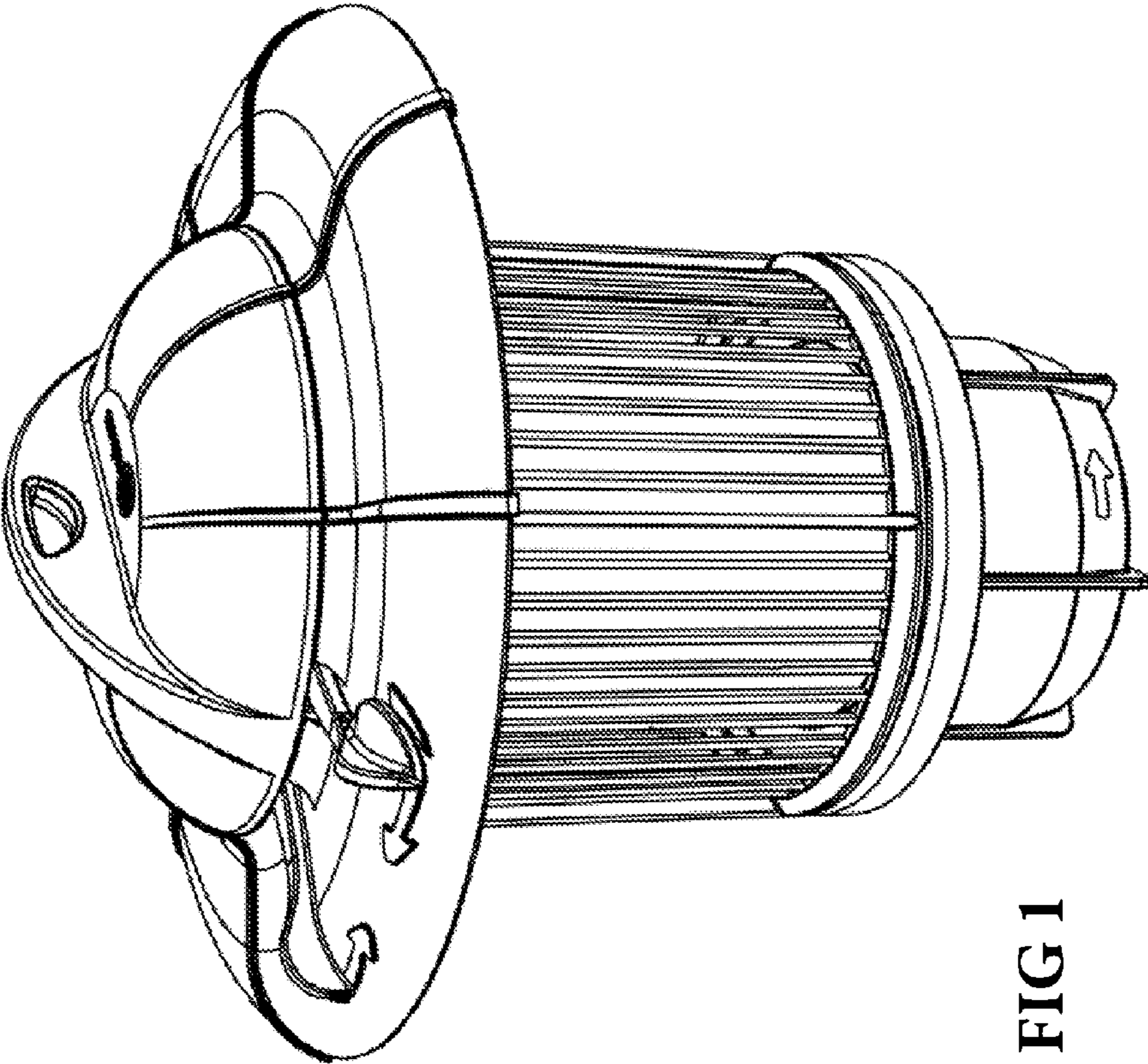


FIG 1

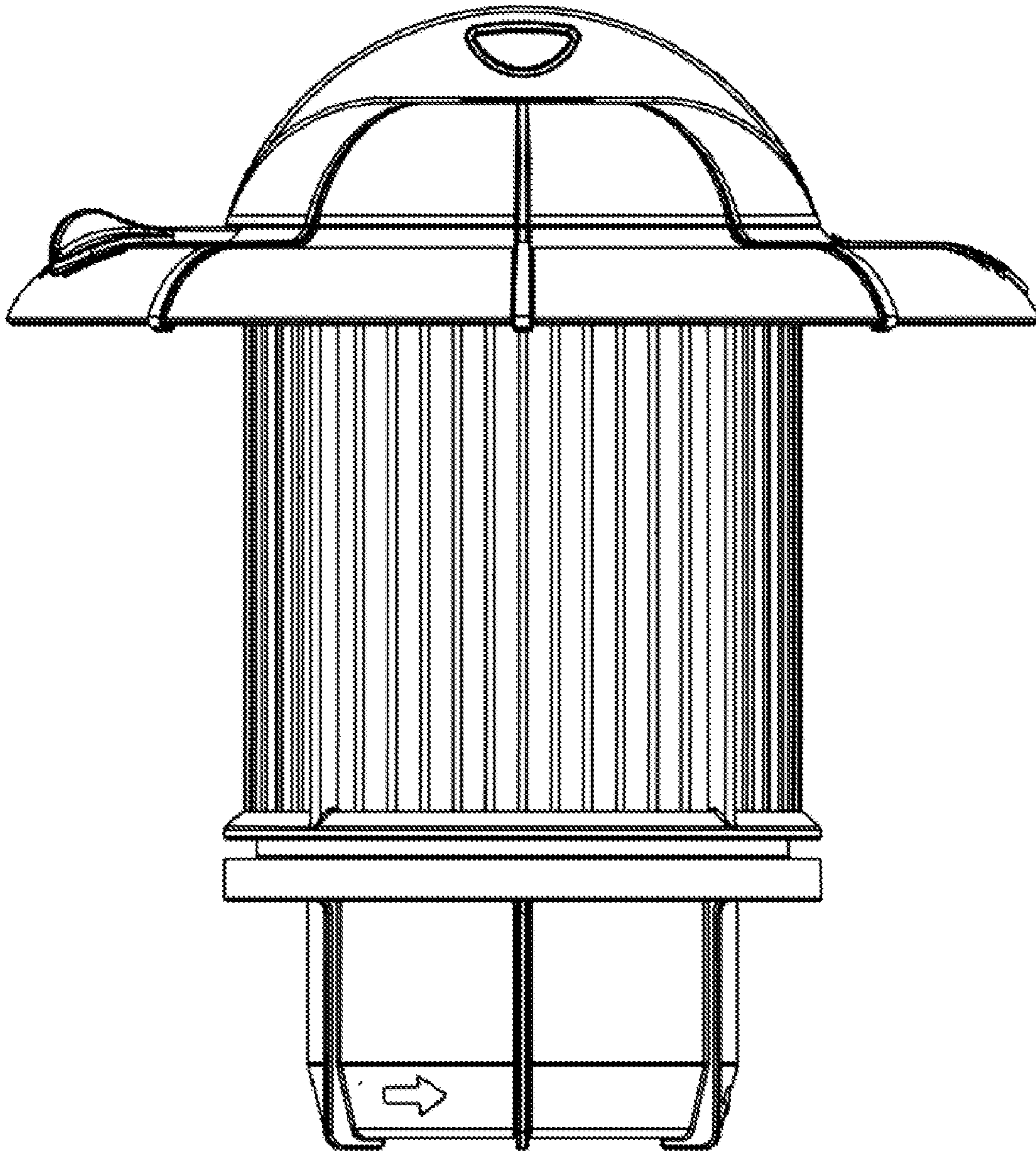


FIG. 2

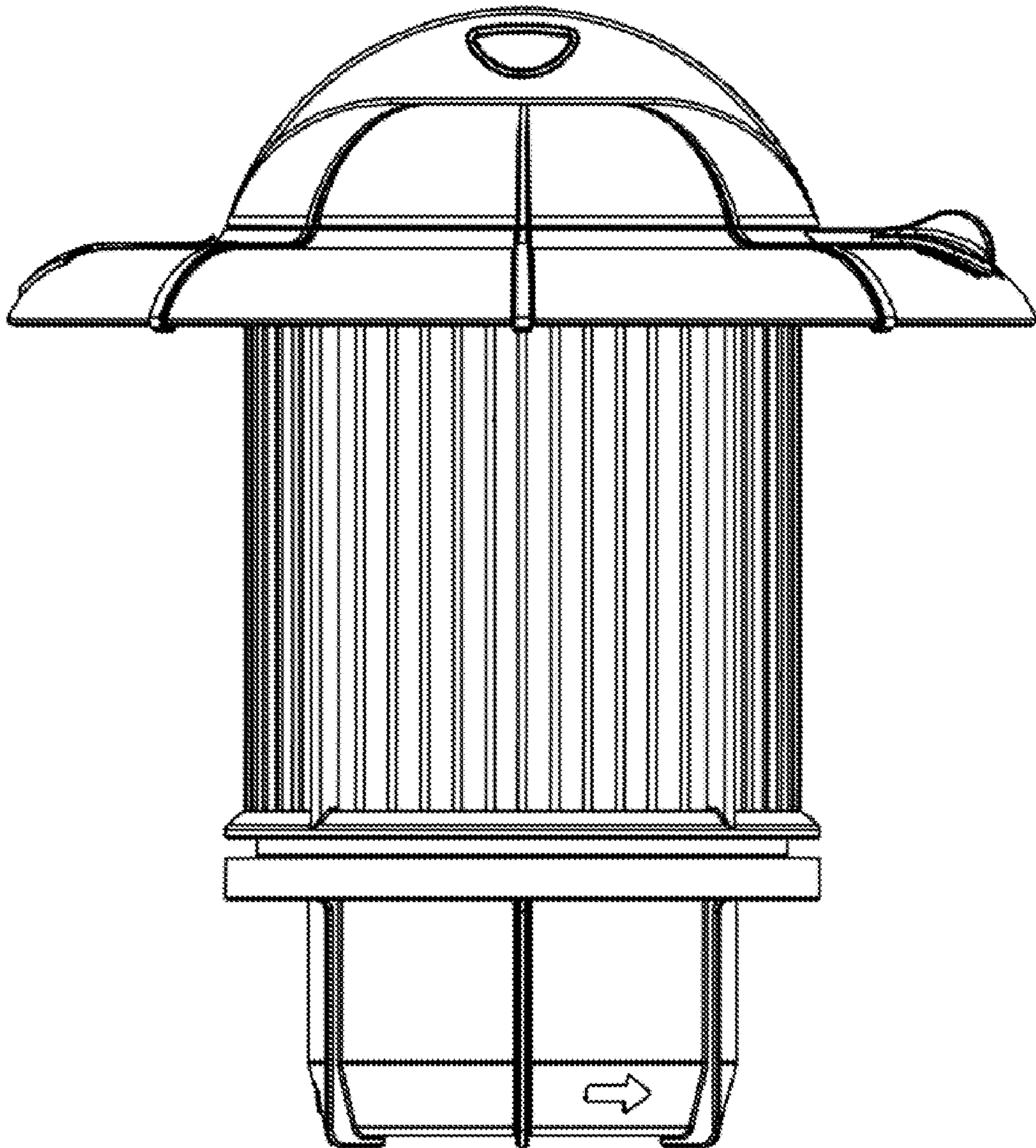


FIG. 3

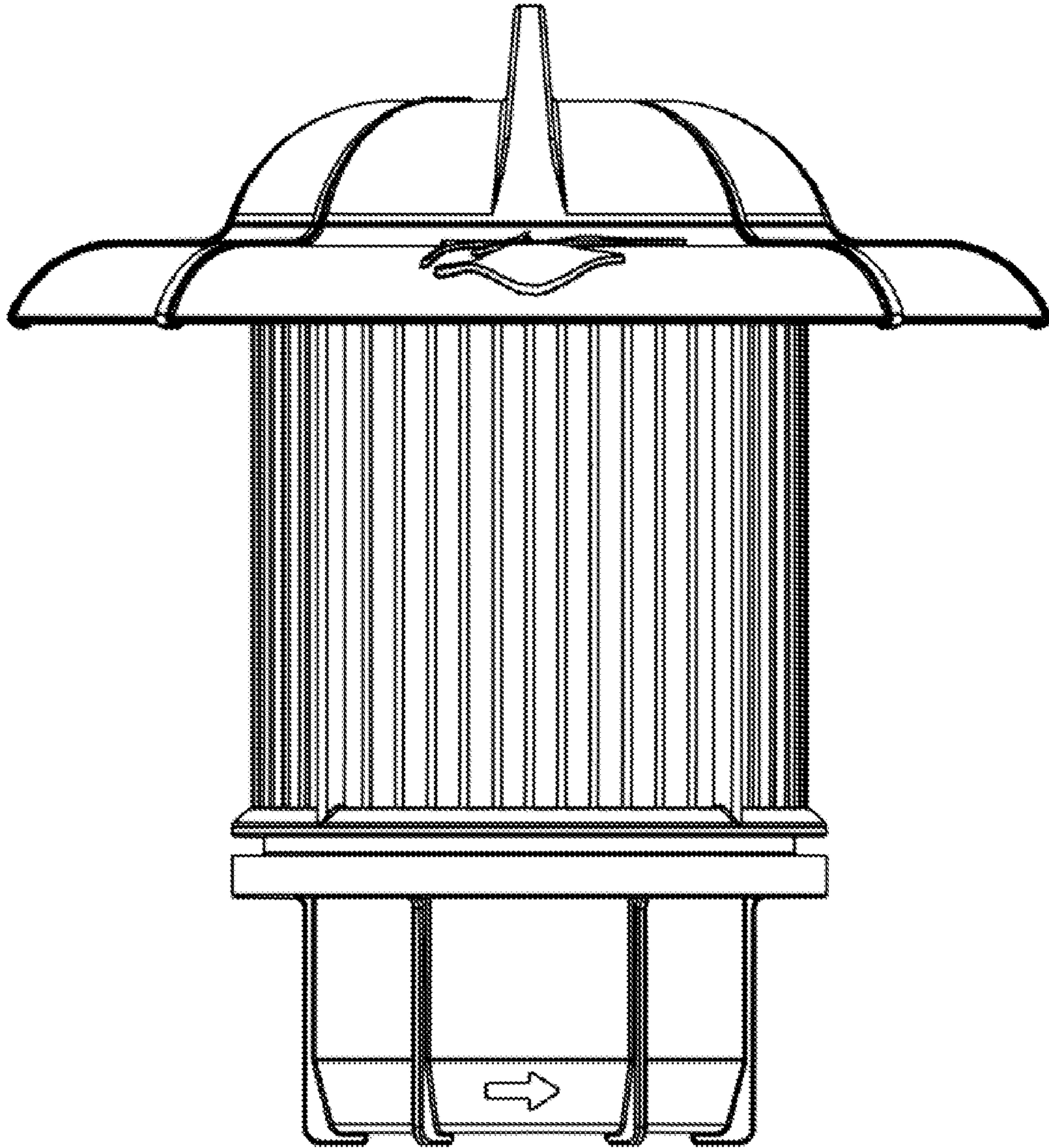


FIG. 4

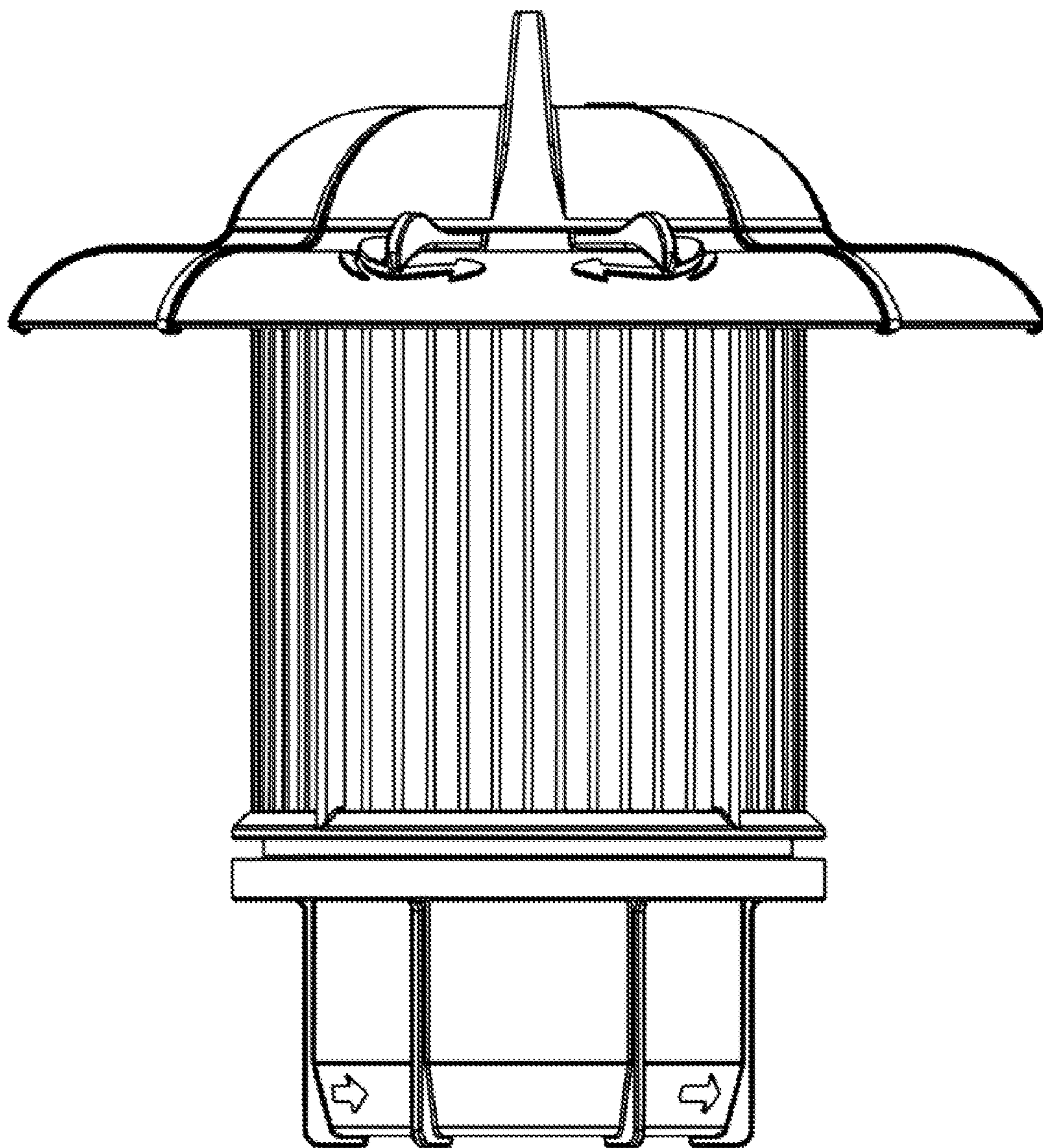


FIG. 5

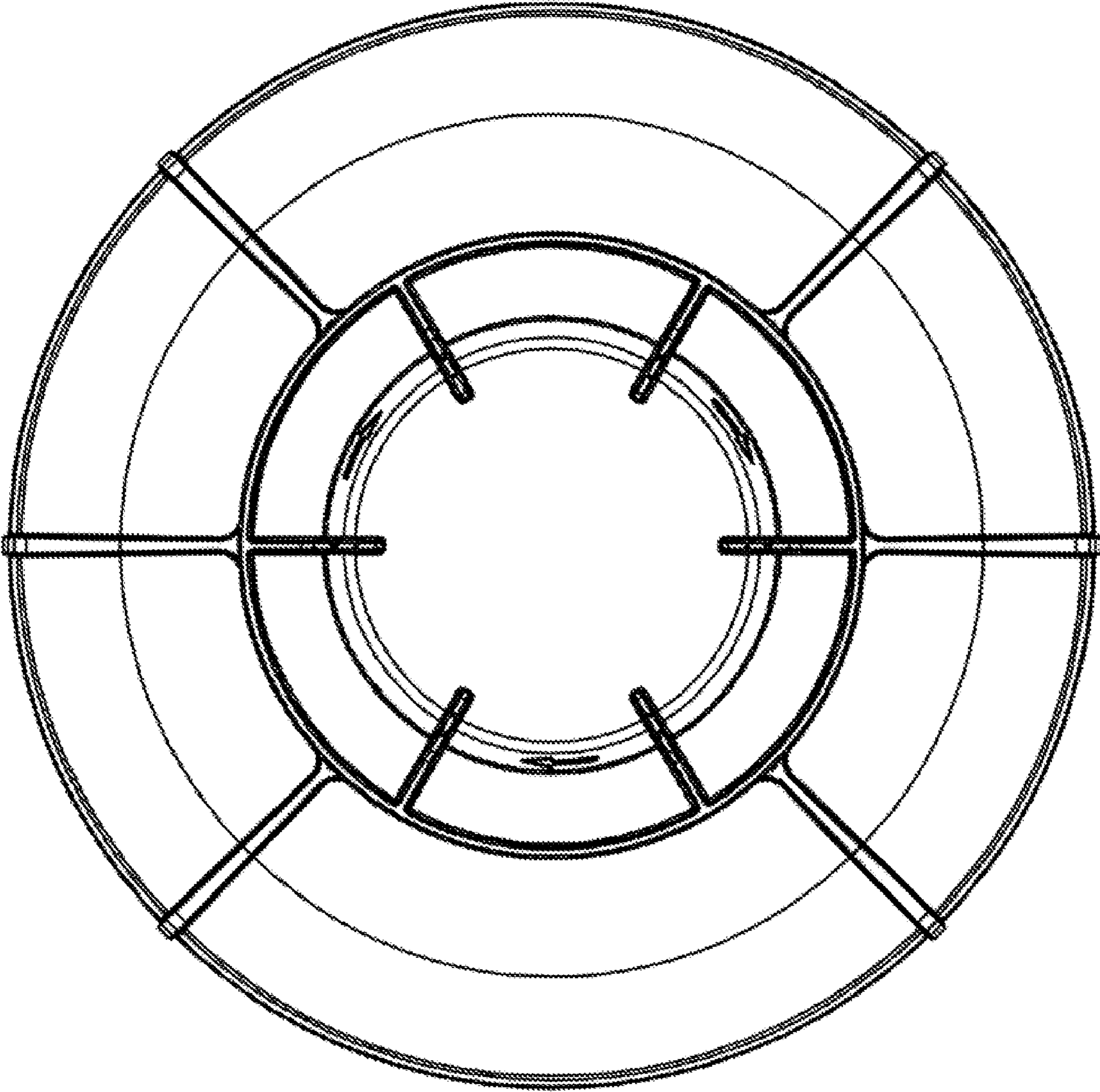


FIG. 6

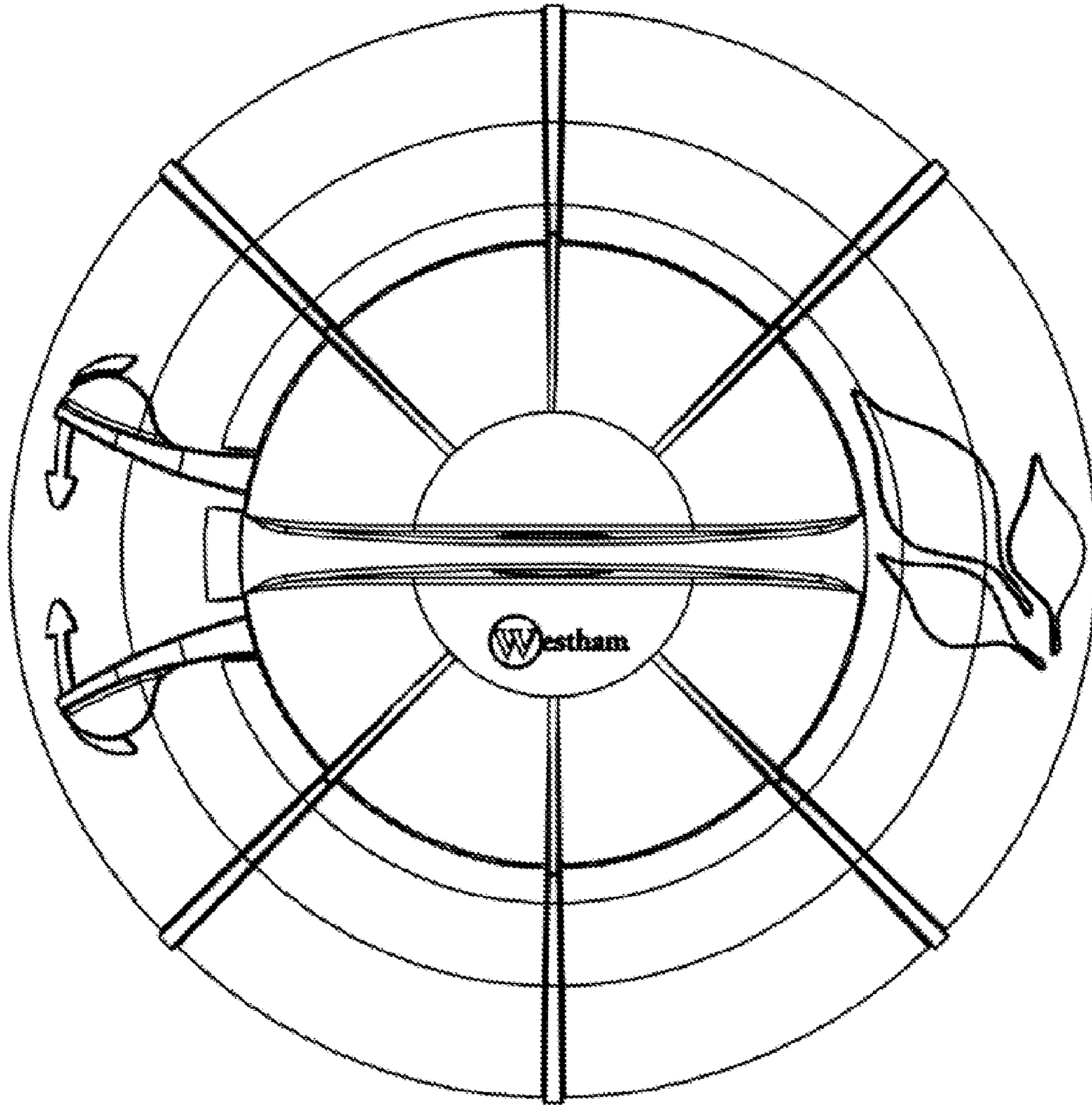


FIG. 7