



US00D612446S

(12) **United States Design Patent**  
**Galili**

(10) **Patent No.:** **US D612,446 S**  
(45) **Date of Patent:** **\*\* Mar. 23, 2010**

(54) **FLEA TRAP**

D517,160 S \* 3/2006 Greening ..... D22/123

(75) Inventor: **Amir Galili**, Tel Aviv (IL)

\* cited by examiner

(73) Assignee: **Westham Ltd.**, Tel Aviv (IL)

*Primary Examiner*—Catherine R Oliver  
(74) *Attorney, Agent, or Firm*—Mark M. Friedman

(\*\*) Term: **14 Years**

(57) **CLAIM**

(21) Appl. No.: **29/339,505**

The ornamental design for a flea trap, as shown.

(22) Filed: **Jul. 1, 2009**

**DESCRIPTION**

(51) **LOC (9) Cl.** ..... **22-06**

(52) **U.S. Cl.** ..... **D22/122**

(58) **Field of Classification Search** ..... D22/119–124;  
43/107, 112–113, 122, 124, 131, 132.1, 133,  
43/139

FIG. 1 is a top perspective view of the flea trap showing my new design;

FIG. 2 is a right side elevation view thereof;

FIG. 3 is a left side elevation view thereof;

FIG. 4 is a rear elevation view thereof;

FIG. 5 is a front elevation view thereof;

FIG. 6 is a bottom plan view thereof; and,

FIG. 7 is a top plan view.

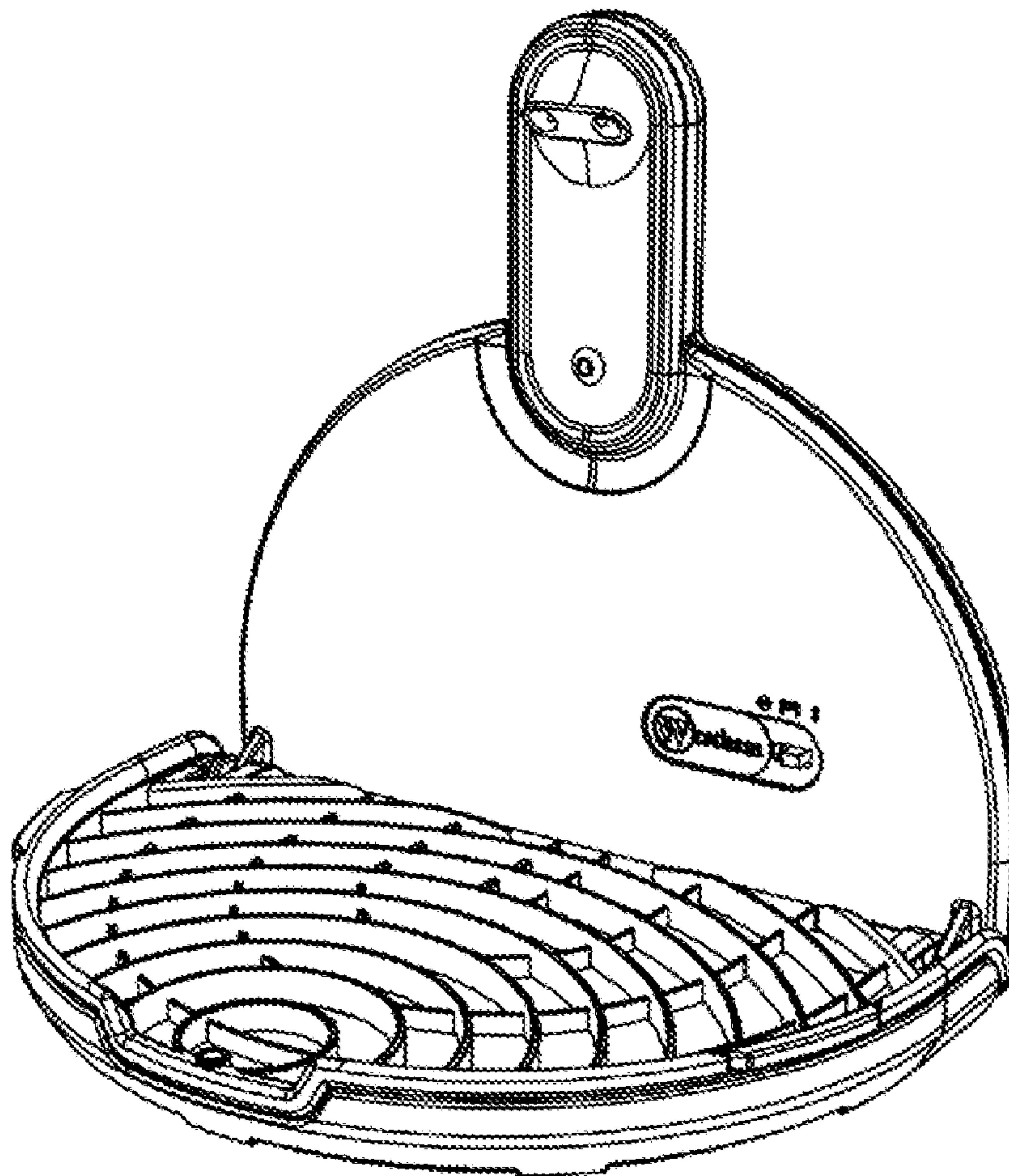
See application file for complete search history.

(56) **References Cited**

**U.S. PATENT DOCUMENTS**

- D346,637 S \* 5/1994 Exum et al. .... D22/122
- D357,725 S \* 4/1995 Biasetti ..... D22/122
- D374,056 S \* 9/1996 Demarest et al. .... D22/122

**1 Claim, 7 Drawing Sheets**



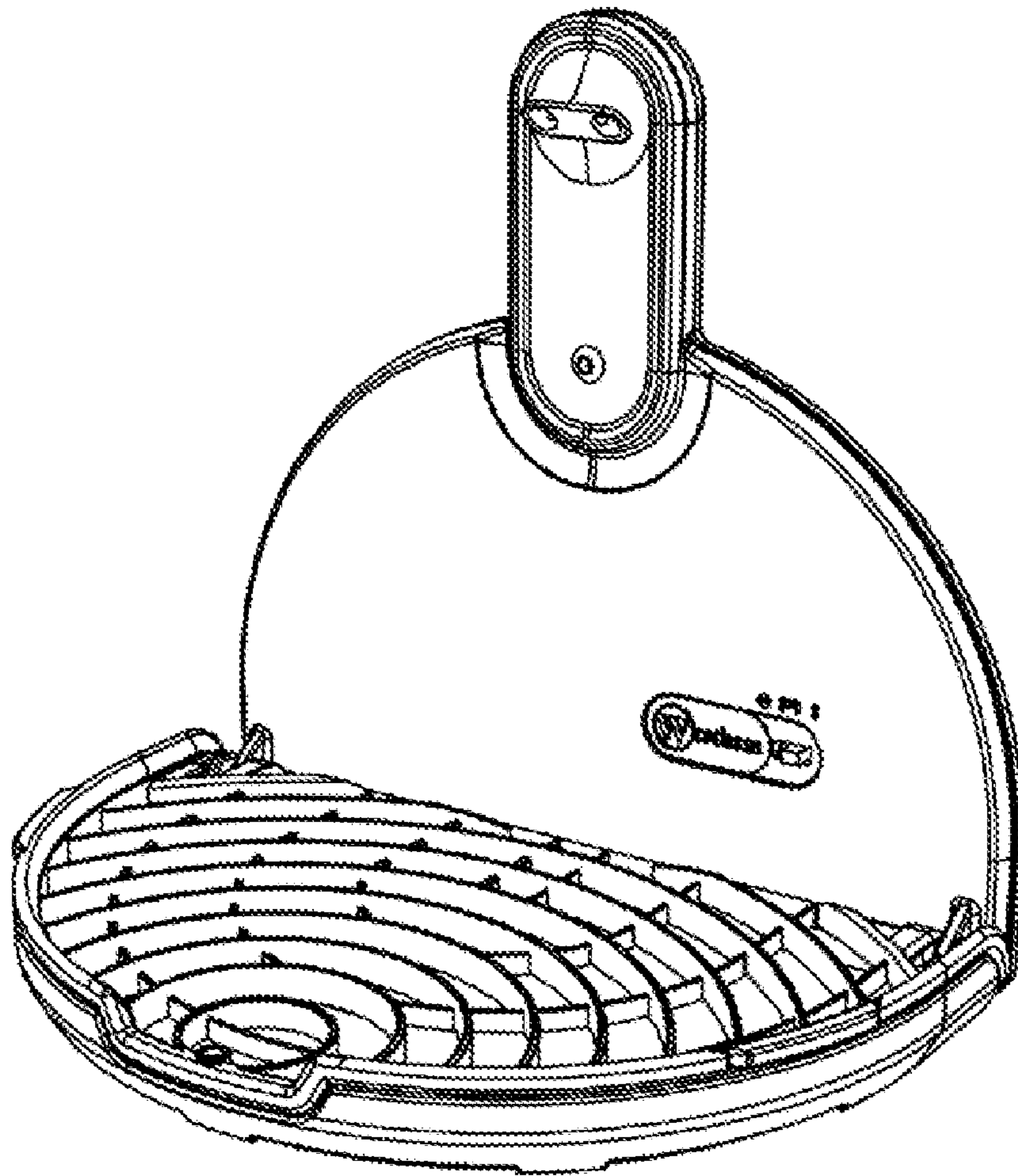


FIG. 1

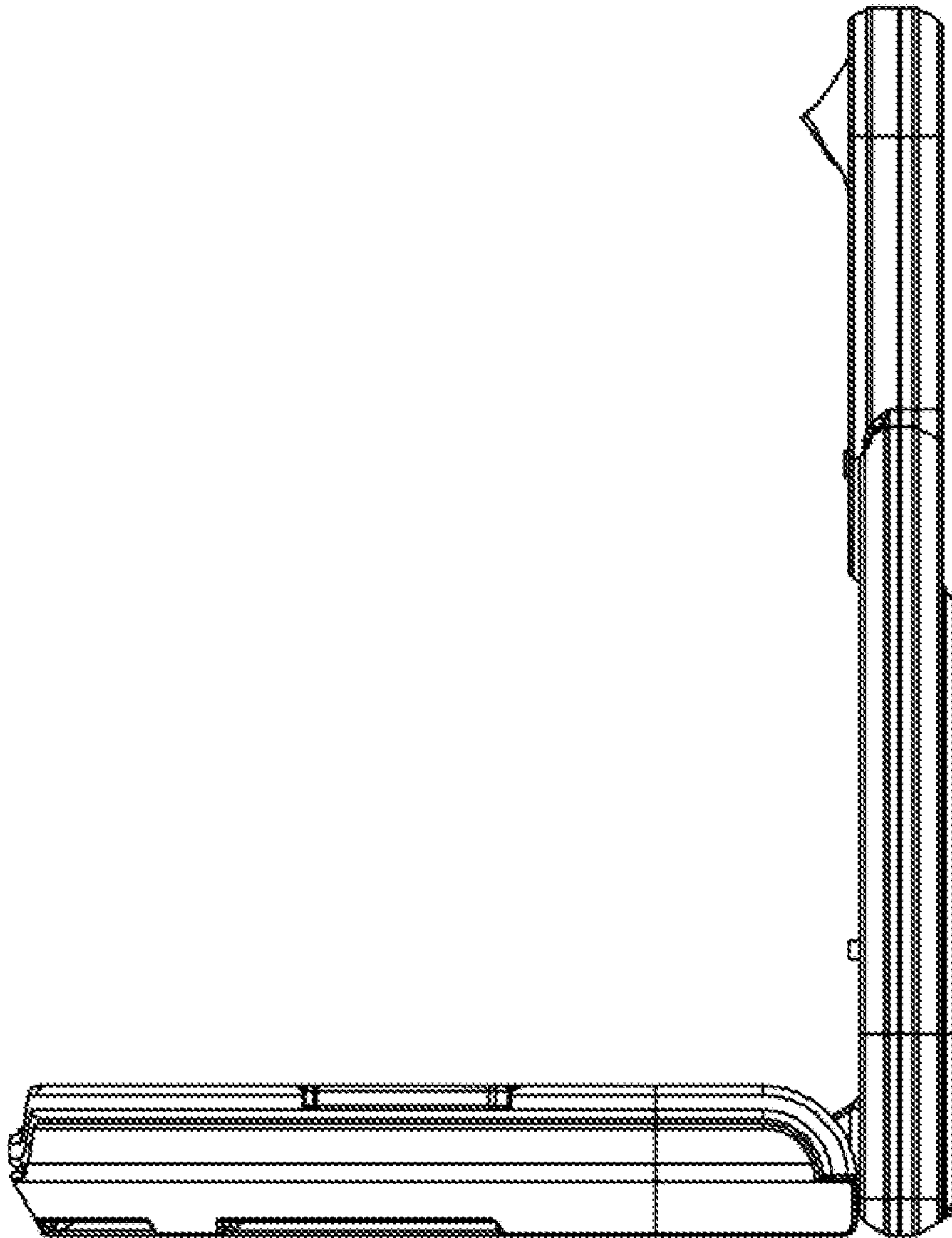


FIG. 2

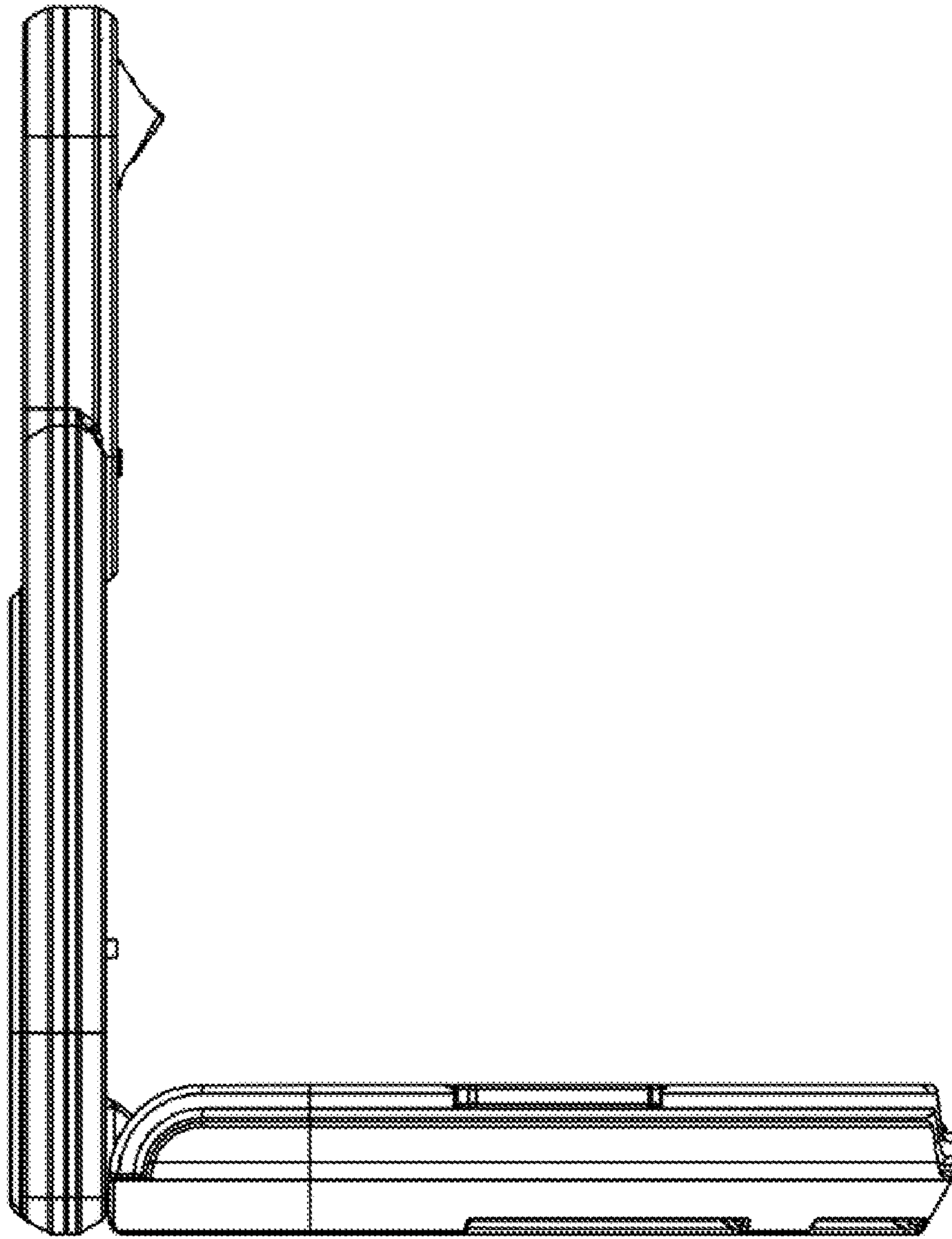


FIG. 3



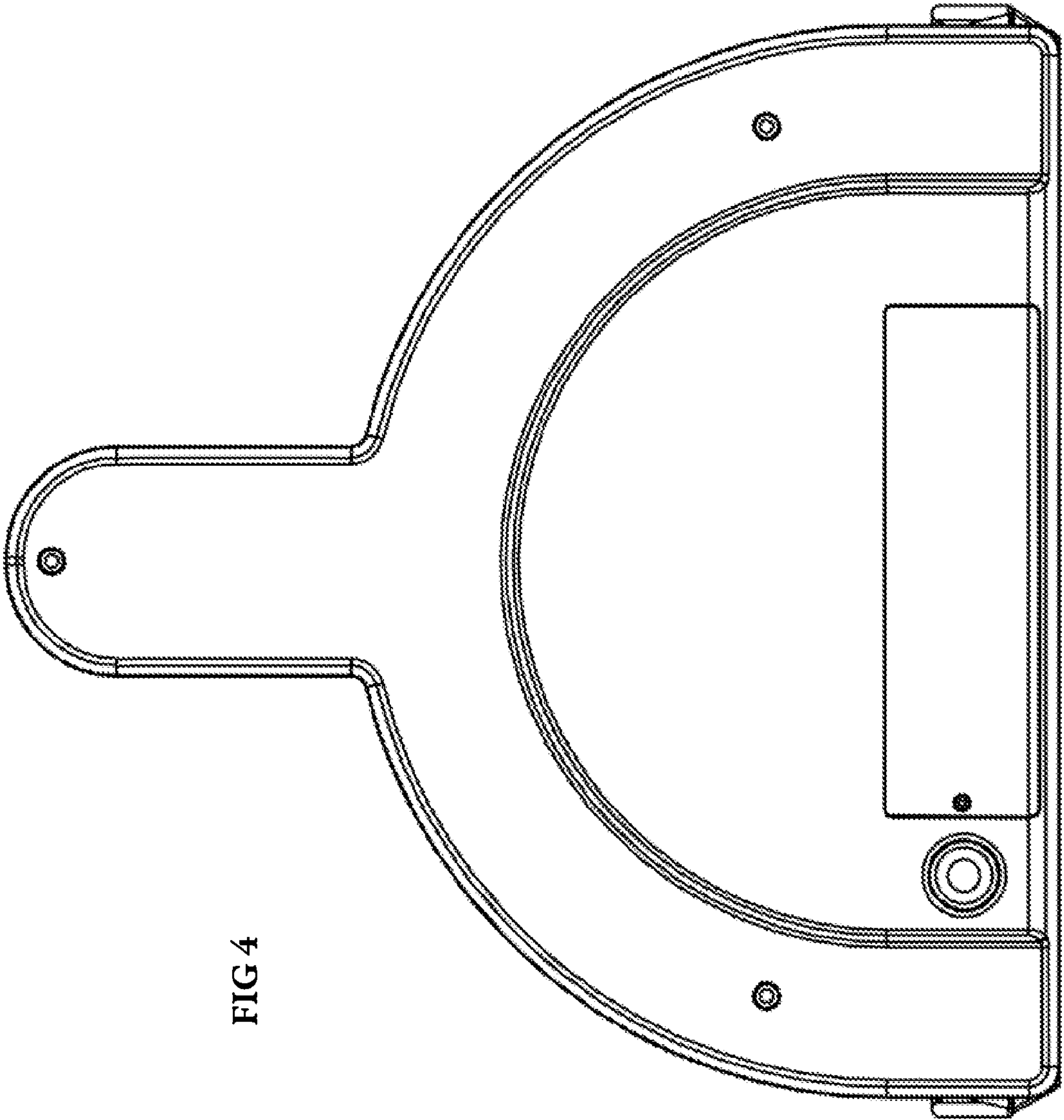


FIG 4

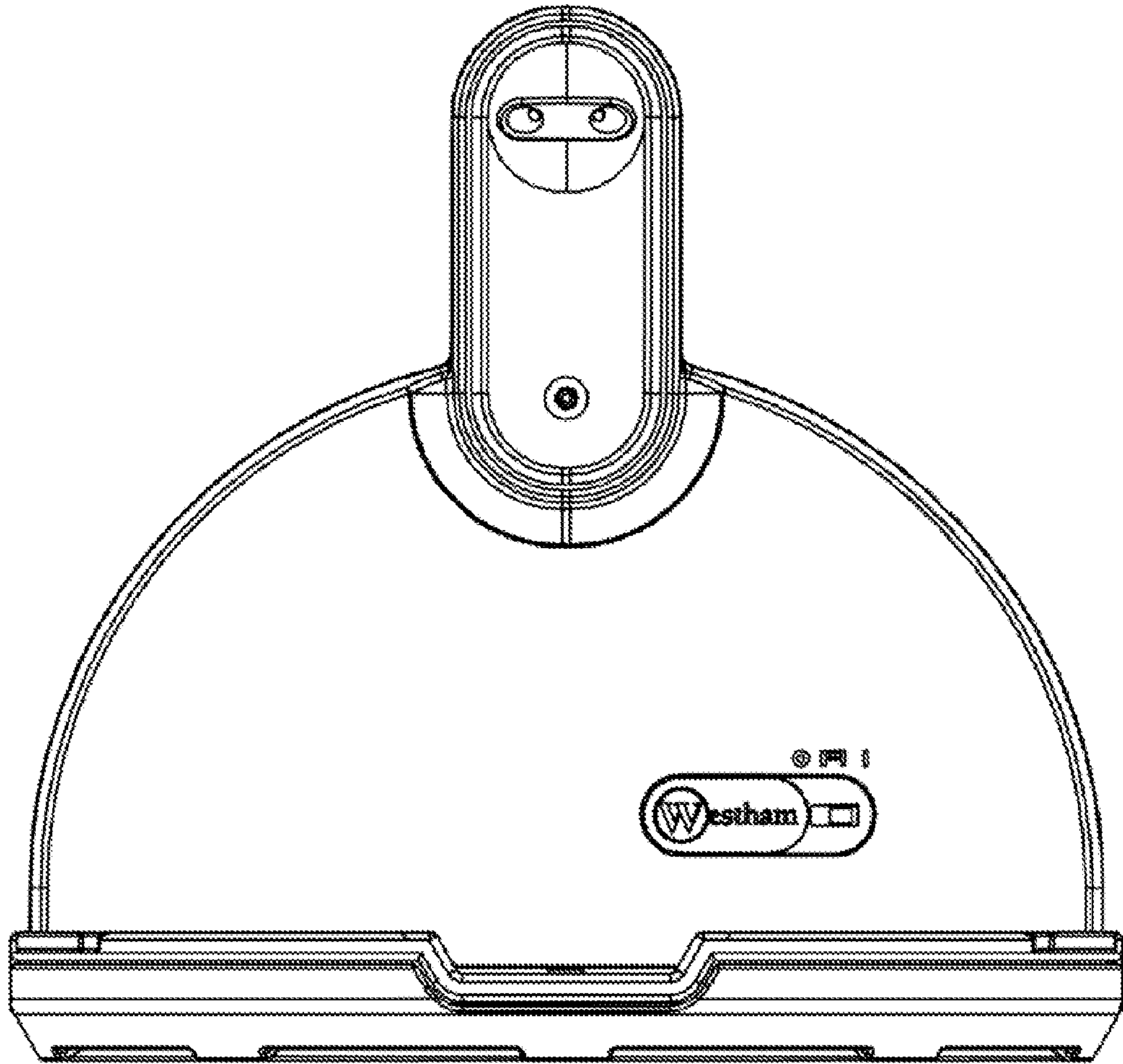


FIG. 5

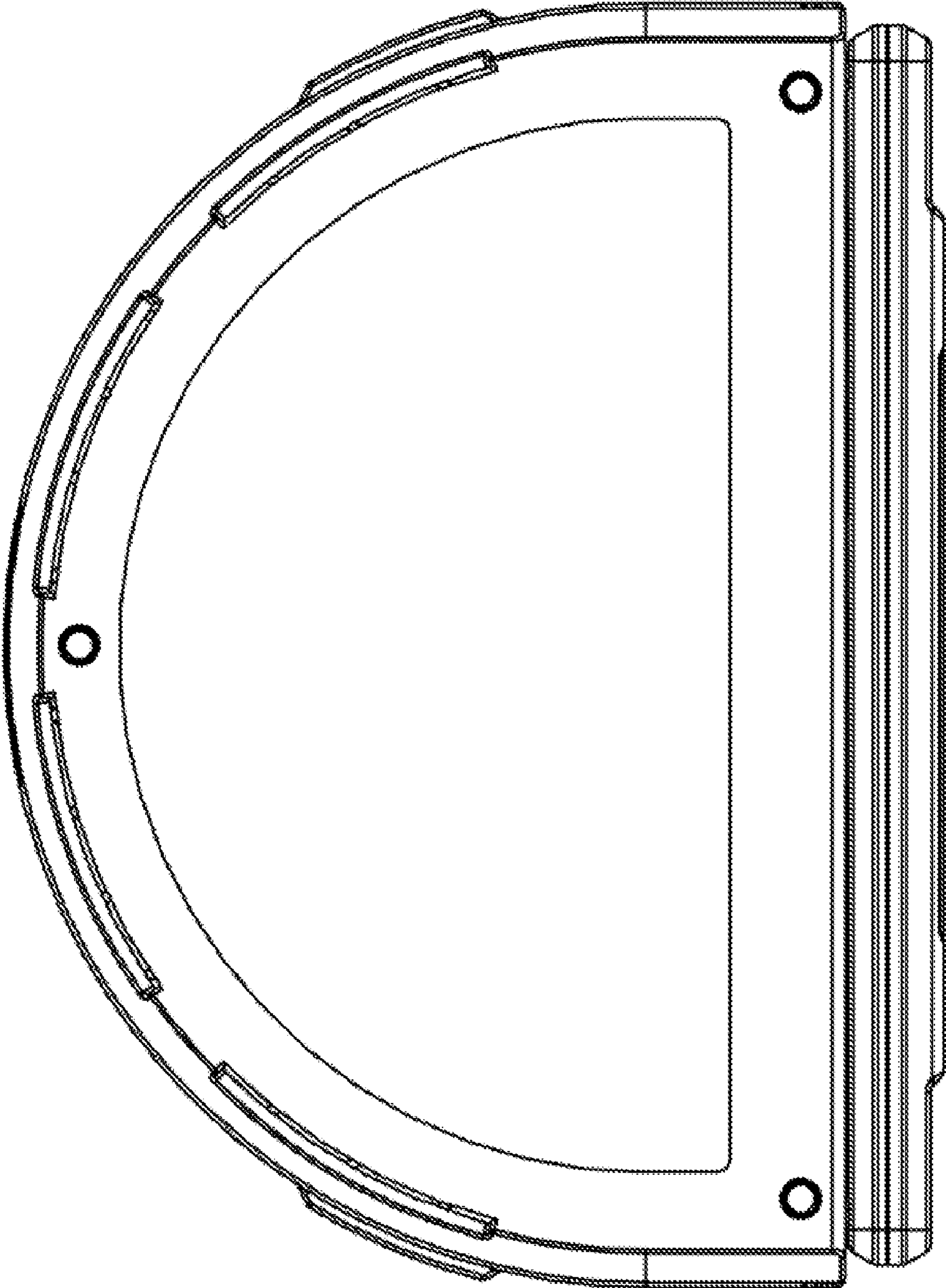


FIG 6



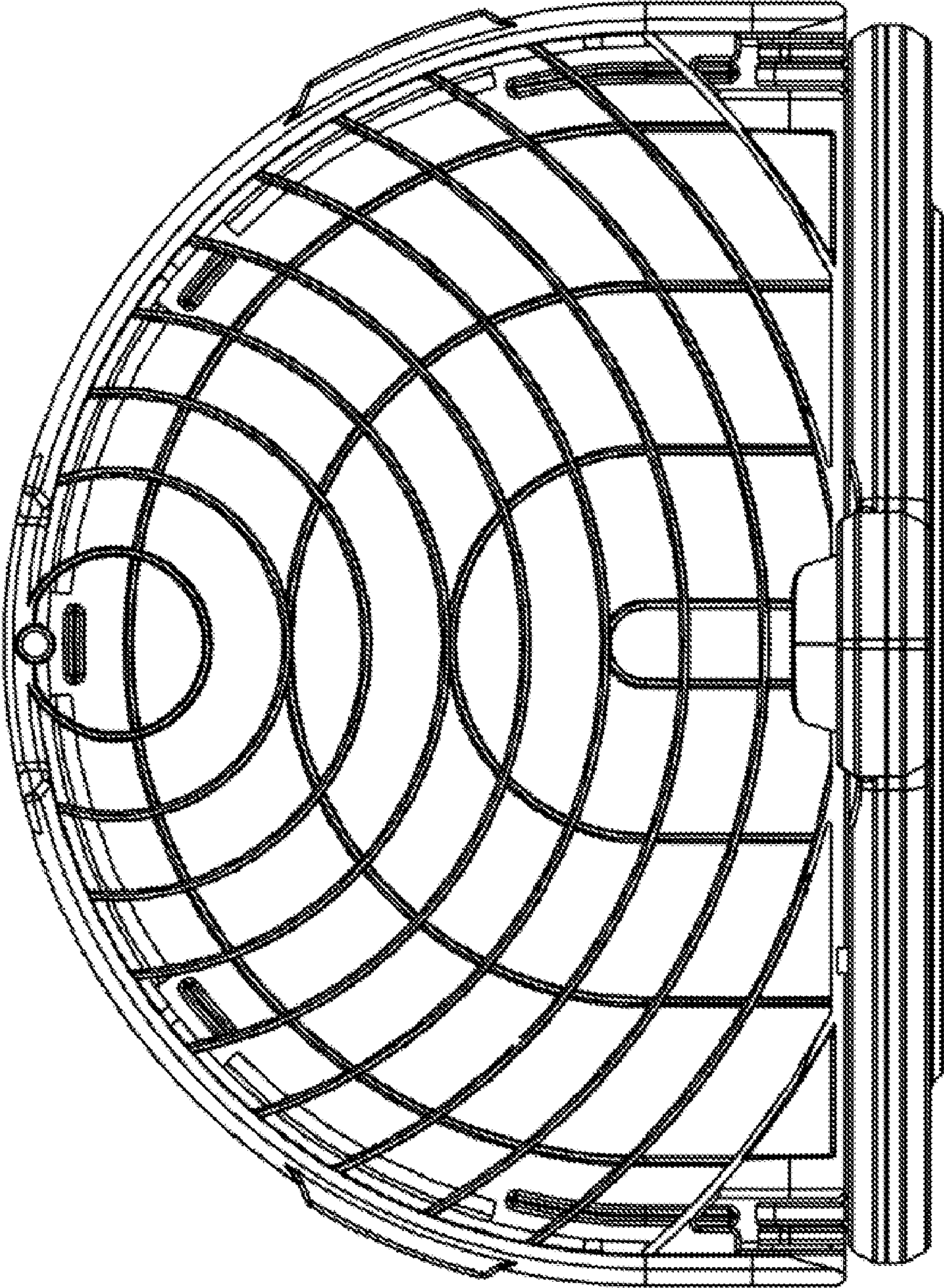


FIG 7