



US00D612445S

(12) **United States Design Patent**
Galili

(10) **Patent No.:** **US D612,445 S**
(45) **Date of Patent:** **** Mar. 23, 2010**

(54) **MOSQUITO TRAP**

D582,505 S * 12/2008 Willcox et al. D22/122

(75) Inventor: **Amir Galili**, Tel Aviv (IL)

* cited by examiner

(73) Assignee: **Westham Ltd.**, Tel Aviv (IL)

Primary Examiner—Catherine R Oliver
(74) *Attorney, Agent, or Firm*—Mark M. Friedman

(**) Term: **14 Years**

(57) **CLAIM**

(21) Appl. No.: **29/339,081**

The ornamental design for a mosquito trap, as shown.

(22) Filed: **Jun. 24, 2009**

DESCRIPTION

(51) **LOC (9) Cl.** **22-06**

(52) **U.S. Cl.** **D22/122**

(58) **Field of Classification Search** D22/119–124;
43/107, 112–113, 122, 124, 132.1, 133, 139
See application file for complete search history.

FIG. 1 is a top perspective view of the mosquito trap showing my new design;

FIG. 2 is a right side elevation view thereof;

FIG. 3 is a left side elevation view thereof;

FIG. 4 is a rear elevation view thereof;

FIG. 5 is a front elevation view thereof;

FIG. 6 is a bottom plan view thereof; and,

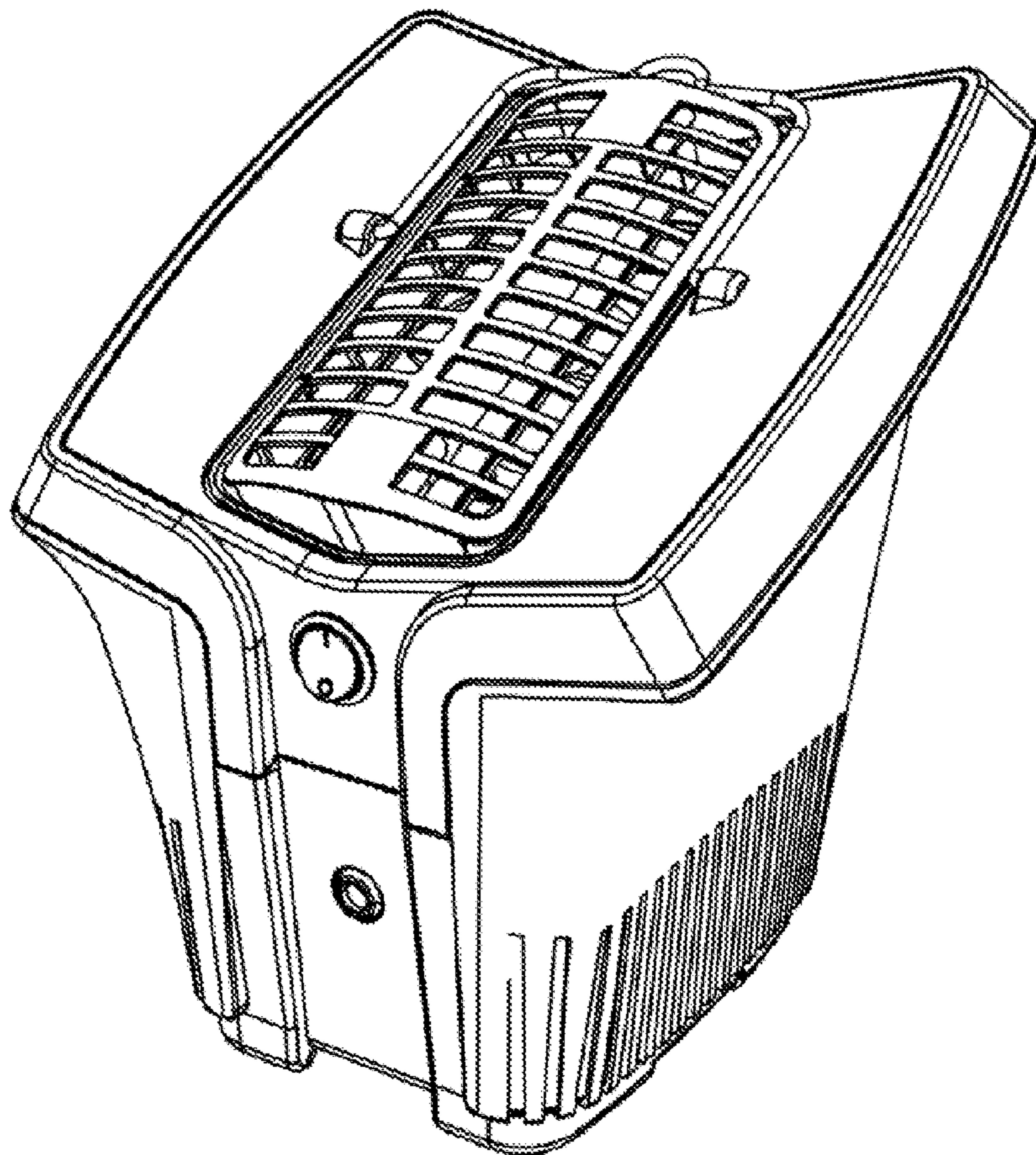
FIG. 7 is a top plan view.

(56) **References Cited**

U.S. PATENT DOCUMENTS

- D465,543 S * 11/2002 Bertani D22/123
- D545,936 S * 7/2007 Metaxatos et al. D22/122
- D561,297 S * 2/2008 Schneidmiller D22/122
- D577,413 S * 9/2008 Long D22/122

1 Claim, 7 Drawing Sheets



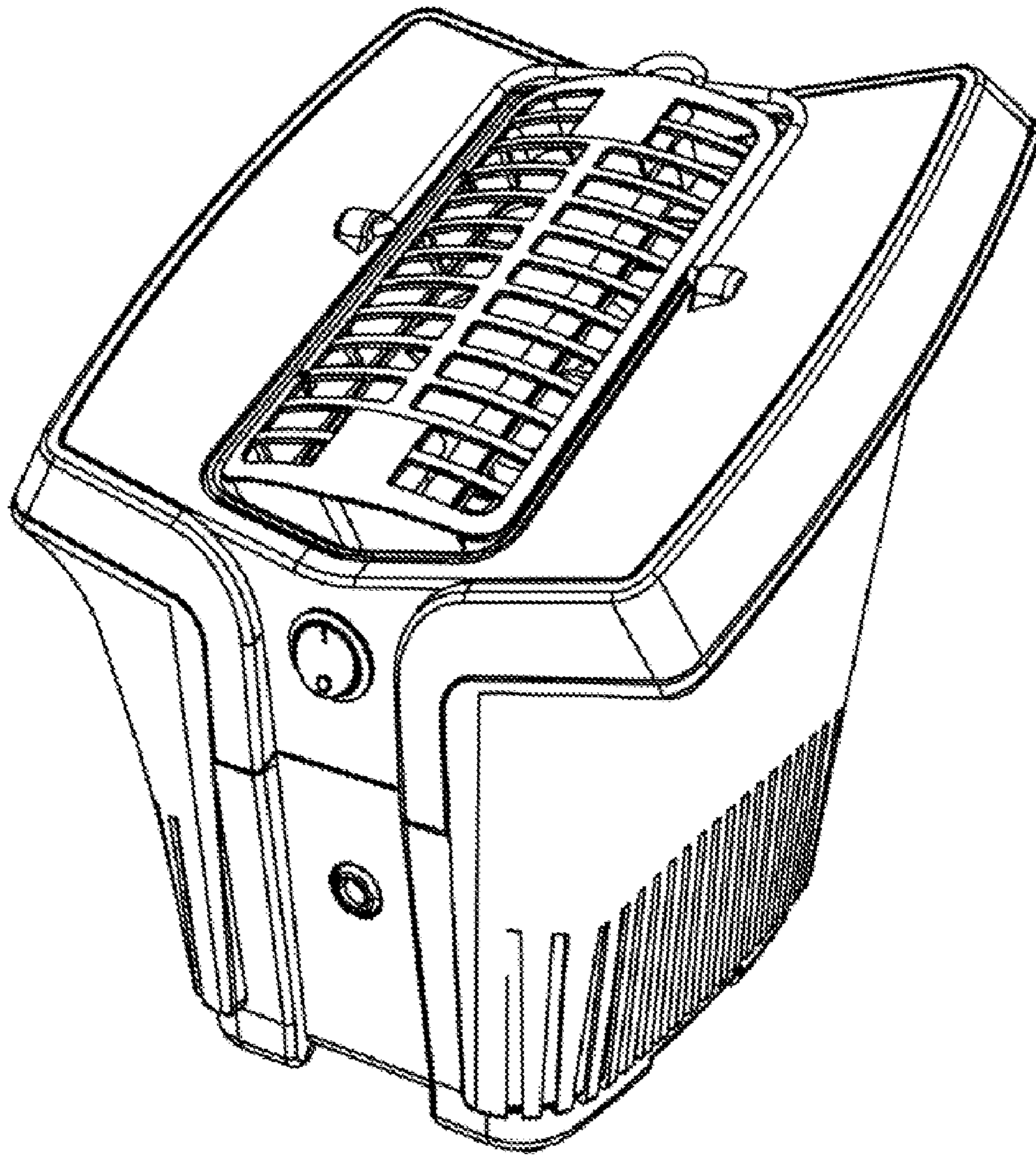


FIG. 1

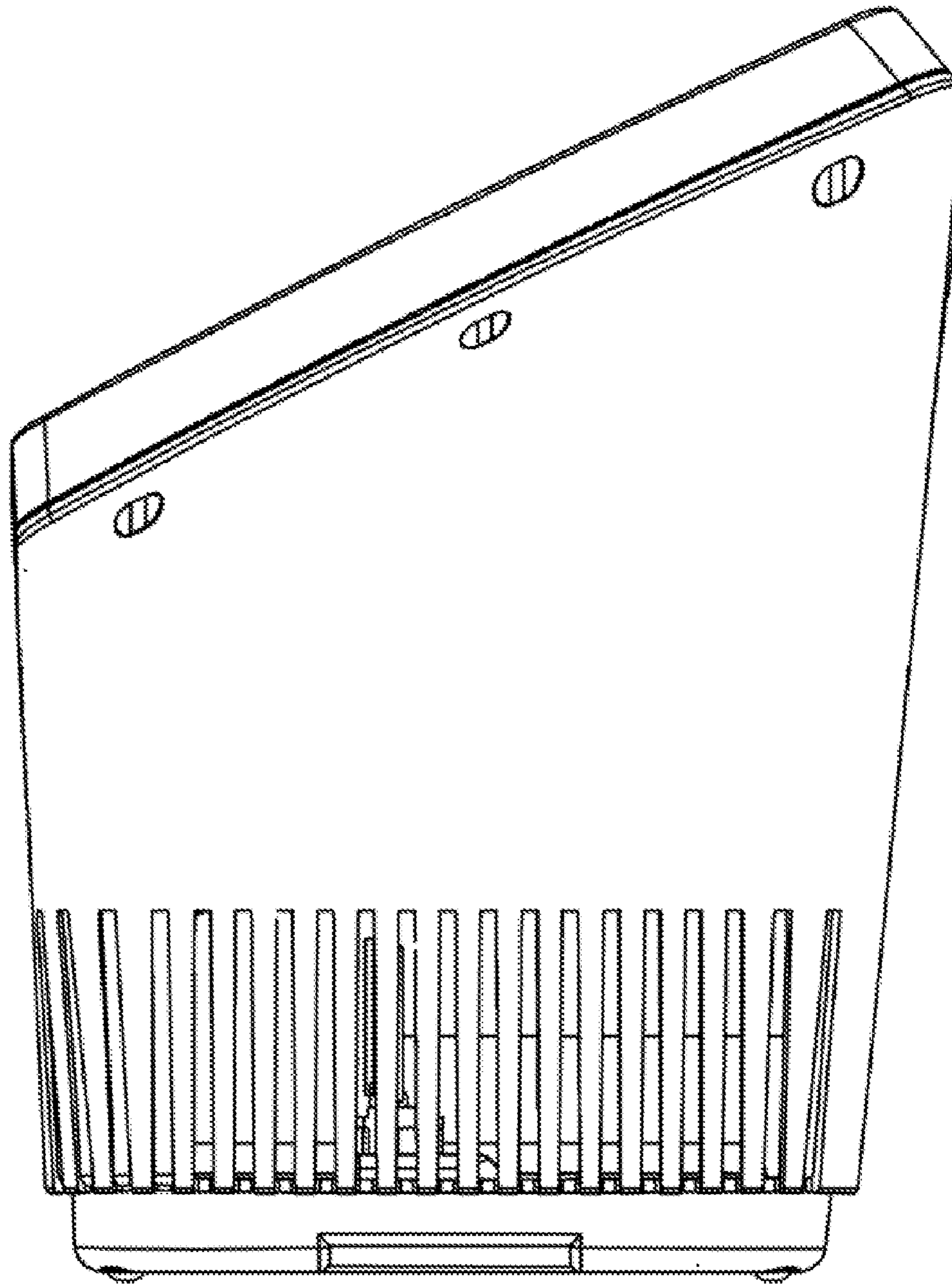


FIG. 2

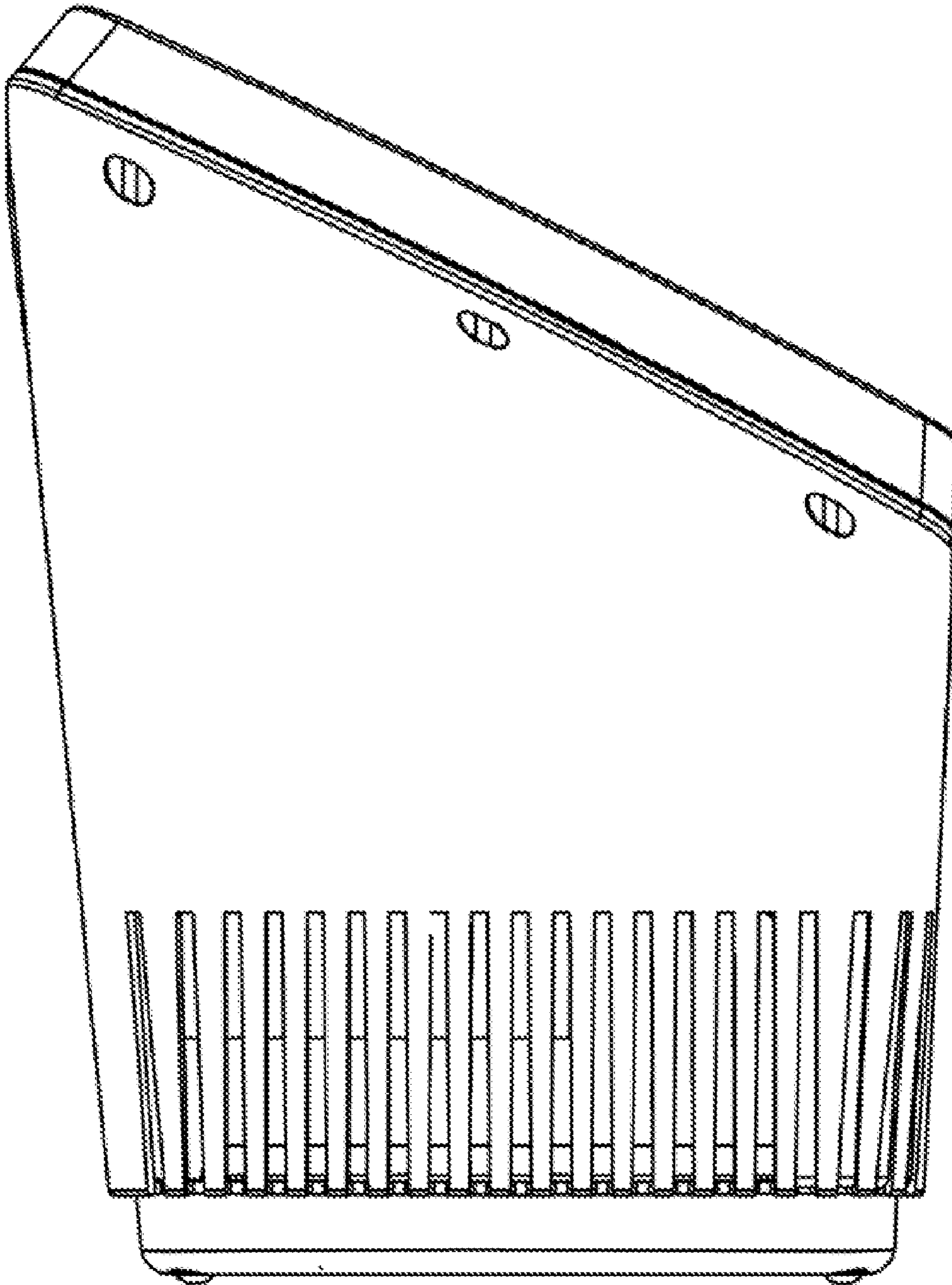


FIG. 3

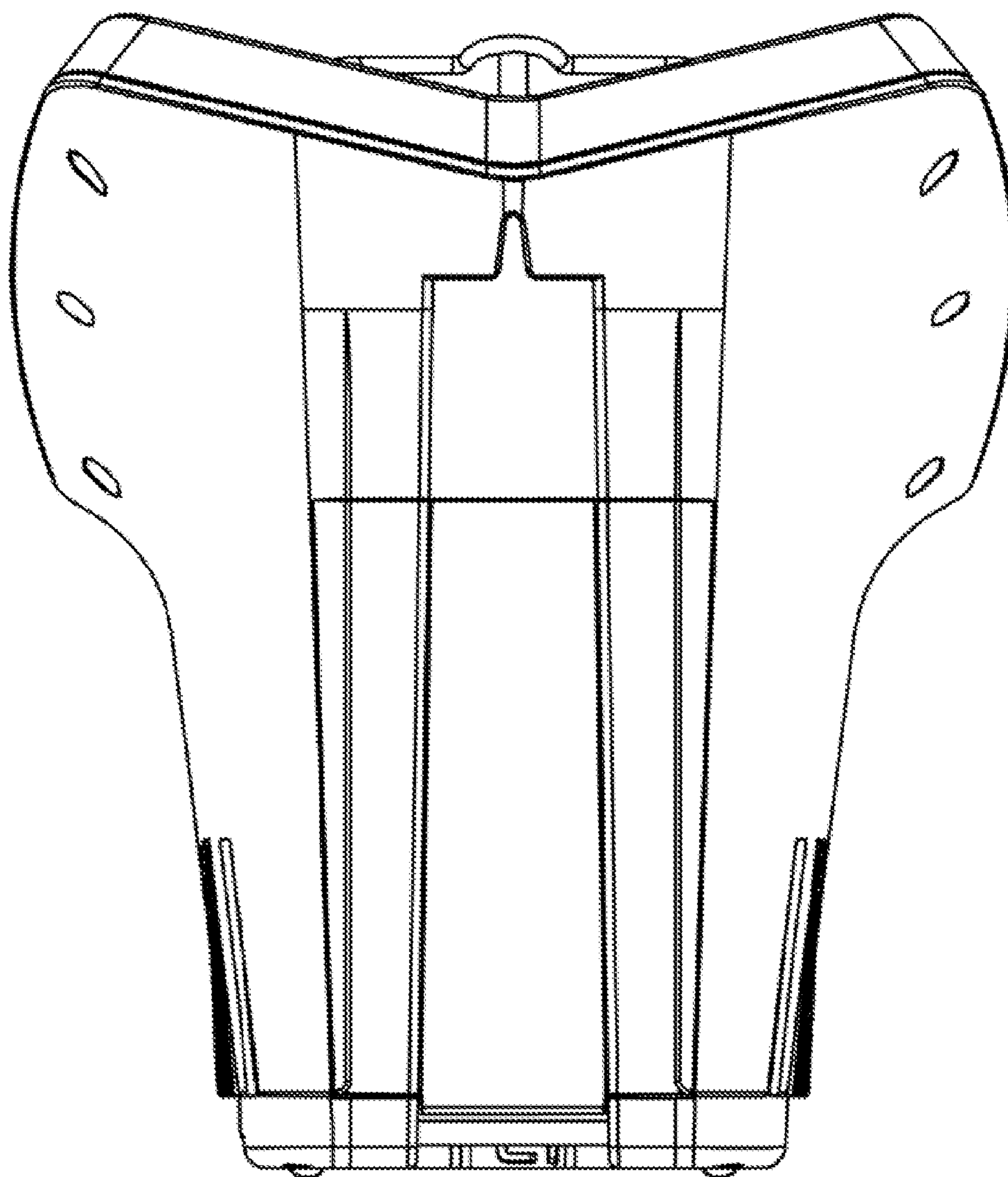


FIG. 4

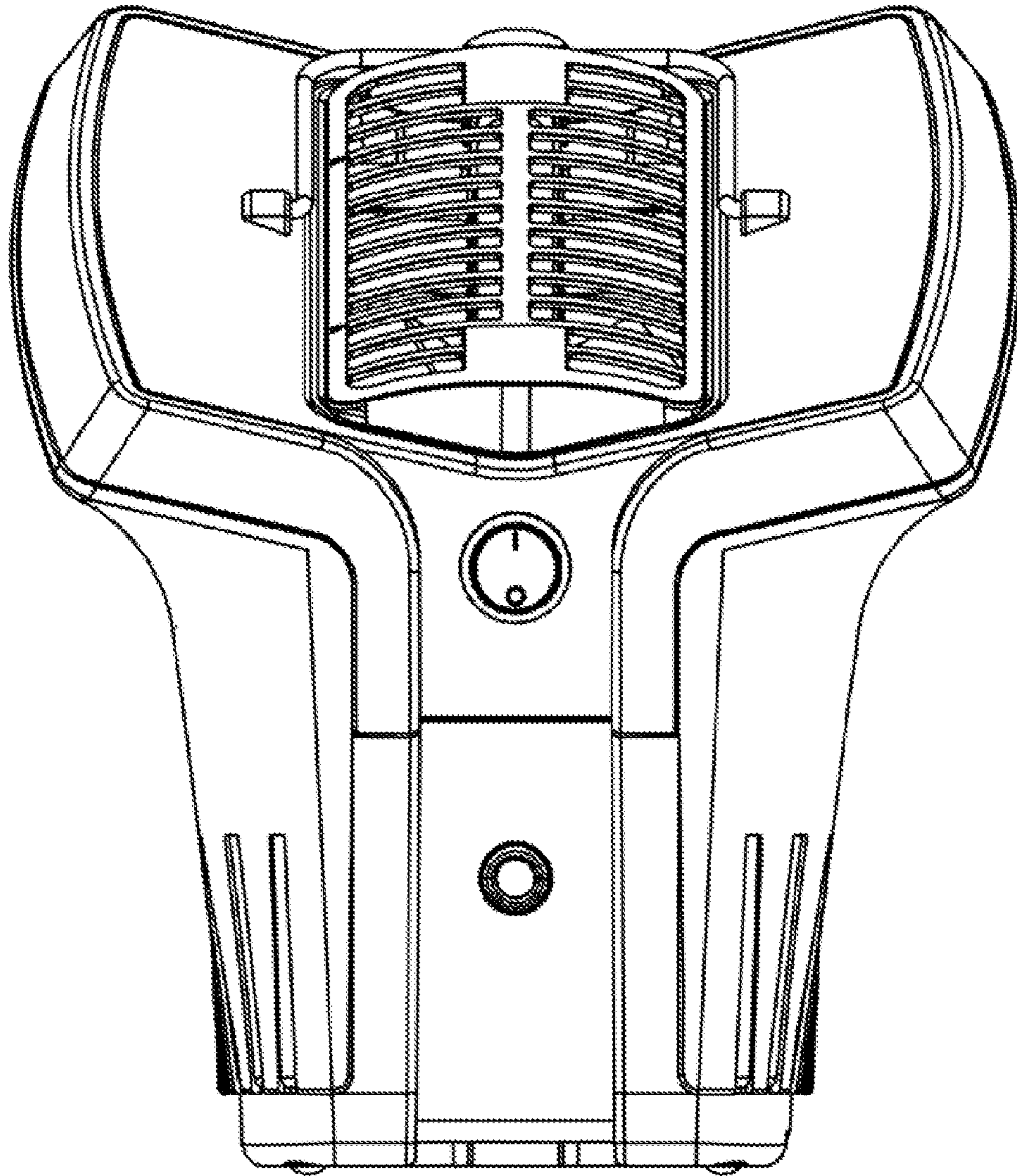


FIG. 5

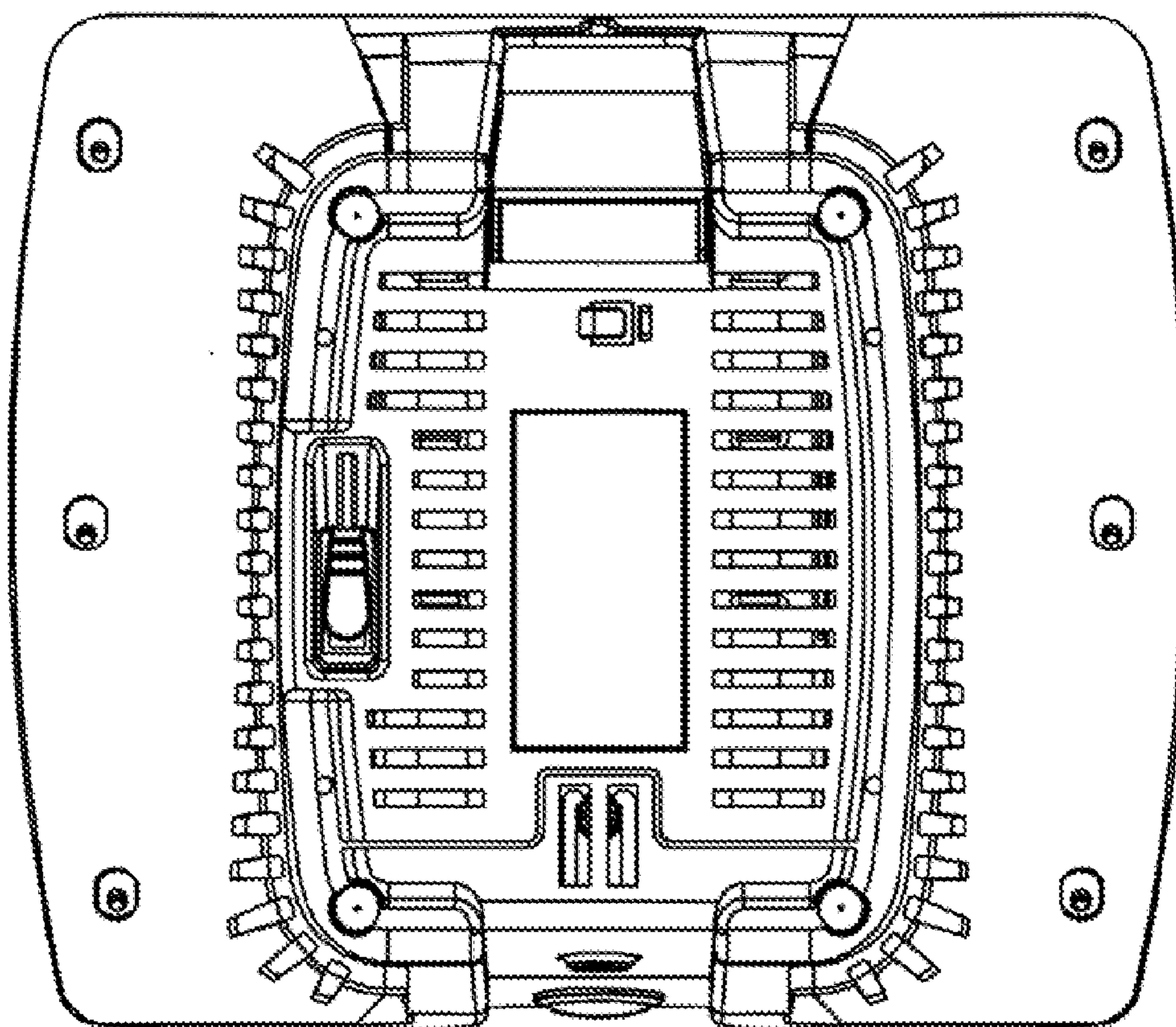


FIG. 6

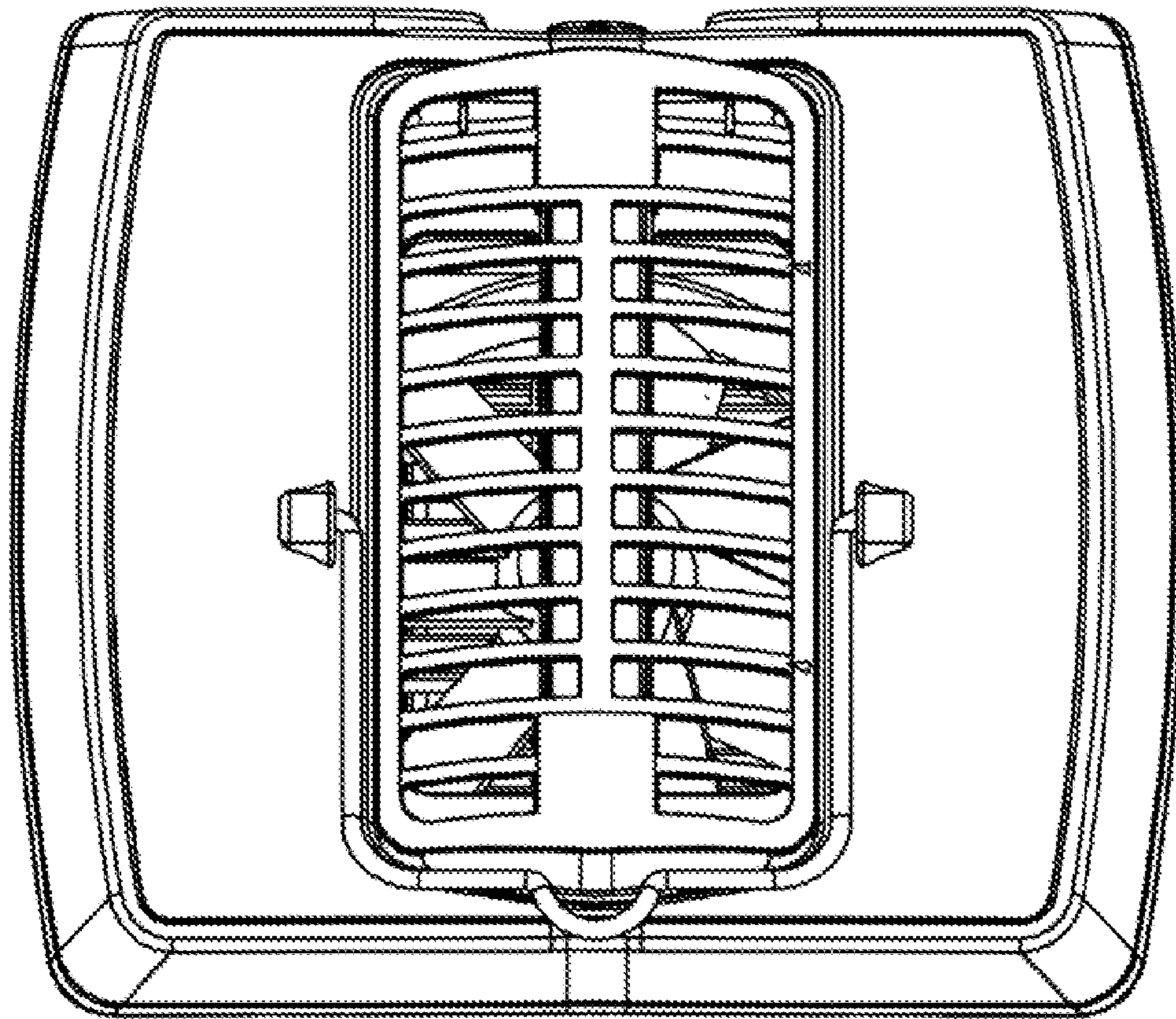


FIG. 7