



US00D612440S

(12) **United States Design Patent**  
**Oldknow**

(10) **Patent No.:** **US D612,440 S**

(45) **Date of Patent:** **\*\* Mar. 23, 2010**

(54) **GOLF CLUB HEAD WITH RED REGIONS**

6,102,813 A 8/2000 Dill  
D433,073 S \* 10/2000 Sodano ..... D21/752  
D438,583 S 3/2001 O'Doherty et al.

(75) Inventor: **Andrew G. V. Oldknow**, Beaverton, OR  
(US)

(Continued)

(73) Assignee: **Nike, Inc.**, Beaverton, OR (US)

**OTHER PUBLICATIONS**

(\*\*) Term: **14 Years**

Taylor Made Ti Bubble 2 Woods and Burner Bubble Woods, Edwin  
Watts Catalog, Late Summer 1998, pp. 8 and 9.

(21) Appl. No.: **29/346,793**

(Continued)

(22) Filed: **Nov. 5, 2009**

*Primary Examiner*—Mitchell I Siegel

(74) *Attorney, Agent, or Firm*—Banner & Witcoff, Ltd.

(51) **LOC (9) Cl.** ..... **21-02**

(52) **U.S. Cl.** ..... **D21/759**

(58) **Field of Classification Search** ..... D21/733,  
D21/752, 759; 473/324–331, 343–346  
See application file for complete search history.

(57) **CLAIM**

The ornamental design for a golf club head with red regions,  
as shown and described.

(56) **References Cited**

**DESCRIPTION**

**U.S. PATENT DOCUMENTS**

D316,583 S	4/1991	Mahaffey et al.	
D318,891 S	8/1991	Duclos	
5,203,565 A	4/1993	Murray et al.	
5,547,188 A	8/1996	Dumontier et al.	
D379,391 S	5/1997	Moore	
D383,818 S	9/1997	Williams, Jr.	
D385,003 S	10/1997	Burrows	
D390,294 S	2/1998	Burrows	
D390,295 S	2/1998	Burrows	
D390,616 S	2/1998	Maltby	
5,720,674 A	2/1998	Galy	
D396,512 S	7/1998	Besnard et al.	
D397,749 S	9/1998	Burrows	
D398,681 S	9/1998	Galy	
D398,682 S	9/1998	Moore	
D401,299 S	11/1998	Burrows	
D403,037 S	12/1998	Stone et al.	
D411,600 S	6/1999	Antonious	
D413,642 S	9/1999	Burrows	
D413,953 S	9/1999	Burrows	
5,971,867 A	10/1999	Galy	
5,989,134 A	11/1999	Antonious	
D417,478 S	12/1999	Nagahama et al.	
D422,327 S *	4/2000	Takaoka et al. ....	D21/733
D426,268 S *	6/2000	Ortiz .....	D21/752

The file of this patent contains drawings executed in color.  
Copies of this patent with color drawings will be provided by  
the Office upon request and payment of the necessary fee.

FIG. 1 is a bottom perspective view of a golf club head with  
red regions showing my new design;

FIG. 2 is a bottom view thereof;

FIG. 3 is a rear view thereof;

FIG. 4 is a toe-end view thereof;

FIG. 5 is a heel-end view thereof;

FIG. 6 is a bottom perspective view of a second embodiment  
of a golf club head with red regions showing my new design;

FIG. 7 is a bottom view thereof;

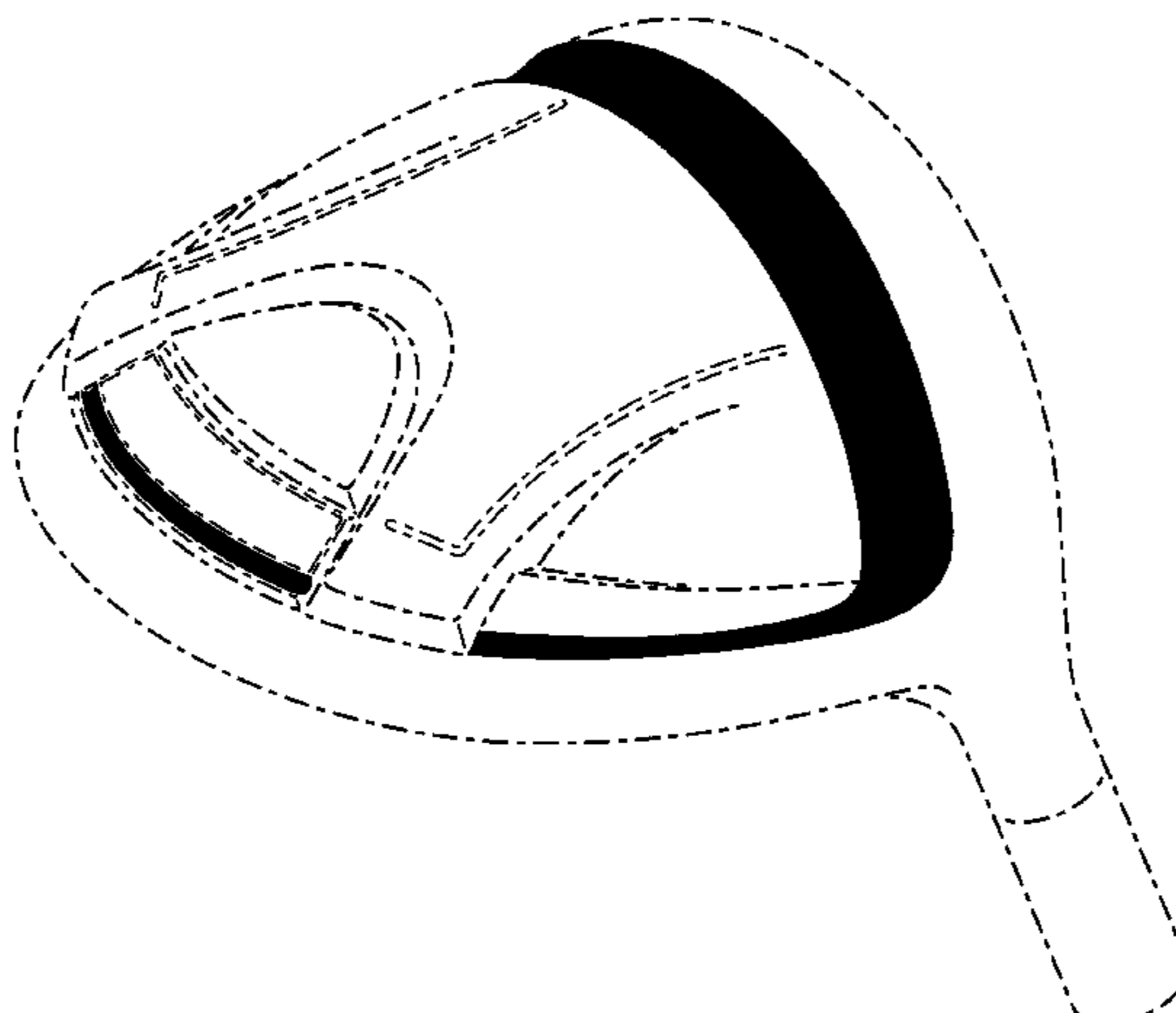
FIG. 8 is a rear view thereof;

FIG. 9 is a toe-end view thereof; and

FIG. 10 is a heel-end view thereof.

The broken line showing of the remainder of the golf club  
head with red regions is for environmental purposes only and  
forms no part of the claimed design.

**1 Claim, 6 Drawing Sheets**  
**(6 of 6 Drawing Sheet(s) Filed in Color)**



# US D612,440 S

Page 2

## U.S. PATENT DOCUMENTS

D444,522 S 7/2001 Crousore  
6,257,991 B1 7/2001 Ortiz  
D458,325 S 6/2002 Antonious  
D463,516 S 9/2002 Antonious  
6,530,847 B1 3/2003 Antonious  
D502,232 S 2/2005 Antonious  
6,855,068 B2 2/2005 Antonious  
6,860,818 B2 3/2005 Mahaffey et al.  
6,890,267 B2 5/2005 Mahaffey et al.  
6,988,960 B2\* 1/2006 Mahaffey et al. .... 473/345  
D516,147 S 2/2006 Imamoto  
D523,498 S\* 6/2006 Chen et al. .... D21/733  
D531,244 S 10/2006 Gilbert et al.  
D532,068 S 11/2006 Tang et al.  
D538,369 S 3/2007 Gilbert et al.  
D541,363 S 4/2007 Gilbert et al.  
D550,800 S\* 9/2007 Ruggiero et al. .... D21/759  
D561,284 S\* 2/2008 Nagai et al. .... D21/759  
D564,611 S\* 3/2008 Llewellyn et al. .... D21/759  
D564,612 S 3/2008 Oldknow et al.  
D565,137 S 3/2008 Oldknow et al.  
D565,141 S 3/2008 Oldknow et al.  
D565,142 S 3/2008 Oldknow et al.  
D572,324 S 7/2008 Chen et al.  
D574,049 S 7/2008 Kadoya

D578,174 S 10/2008 Tang et al.  
D578,588 S 10/2008 Oldknow et al.  
D578,591 S 10/2008 Oldknow et al.  
D588,223 S 3/2009 Kuan  
D589,105 S\* 3/2009 Oldknow ..... D21/759  
D589,106 S\* 3/2009 Oldknow ..... D21/759  
D589,107 S\* 3/2009 Oldknow ..... D21/759  
D589,108 S\* 3/2009 Oldknow ..... D21/759  
D595,370 S 6/2009 Ines et al.  
D599,870 S 9/2009 Serrano et al.  
D600,295 S 9/2009 Meeks  
D600,762 S 9/2009 Serrano et al.

## OTHER PUBLICATIONS

Lynx Black Cat Series, Edwin Watts Catalog, Late Summer 1998, p. 23.  
AVDP XLS Metal Woods, Edwin Watts Catalog, Summer 1998, p. 24.  
Players Offset Woods, Players Brochure, p. 2. Date unknown but prior to filing date of the current application.  
Golfsmith Cermet 2000 Driver Head, Golfsmith Catalog, 1998, p. 49.  
Nicklaus Dual Point Fastback Drivers, Austad's Golf Catalog, Spring 2008, p. 16.  
Nickent Hybrids, Austad's Golf Catalog, Spring 2008, p. 17.  
Harvey Penick Plus Driver Head, Harvey Penick Catalog 1997, p. 8.

\* cited by examiner

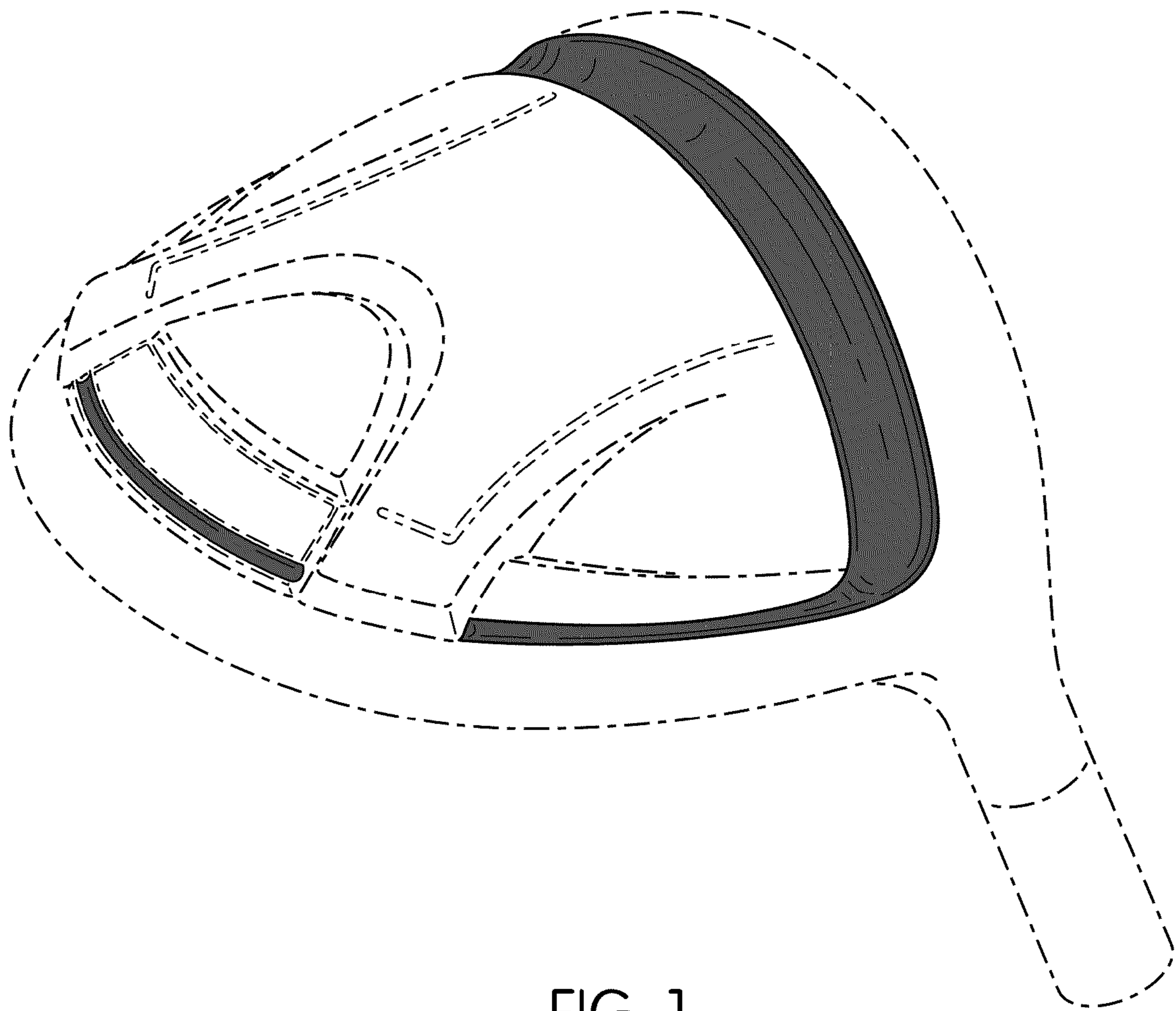


FIG. 1



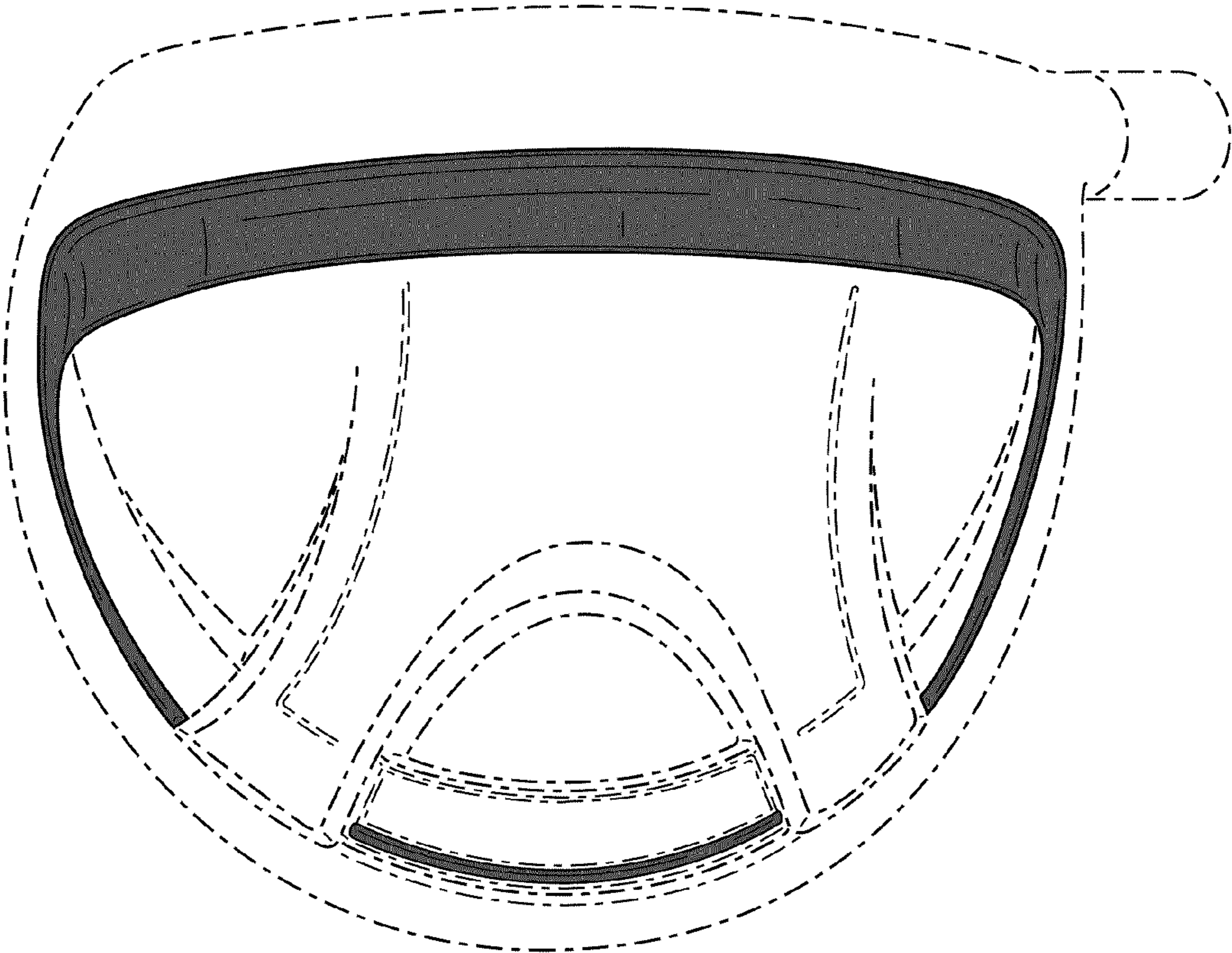


FIG. 2

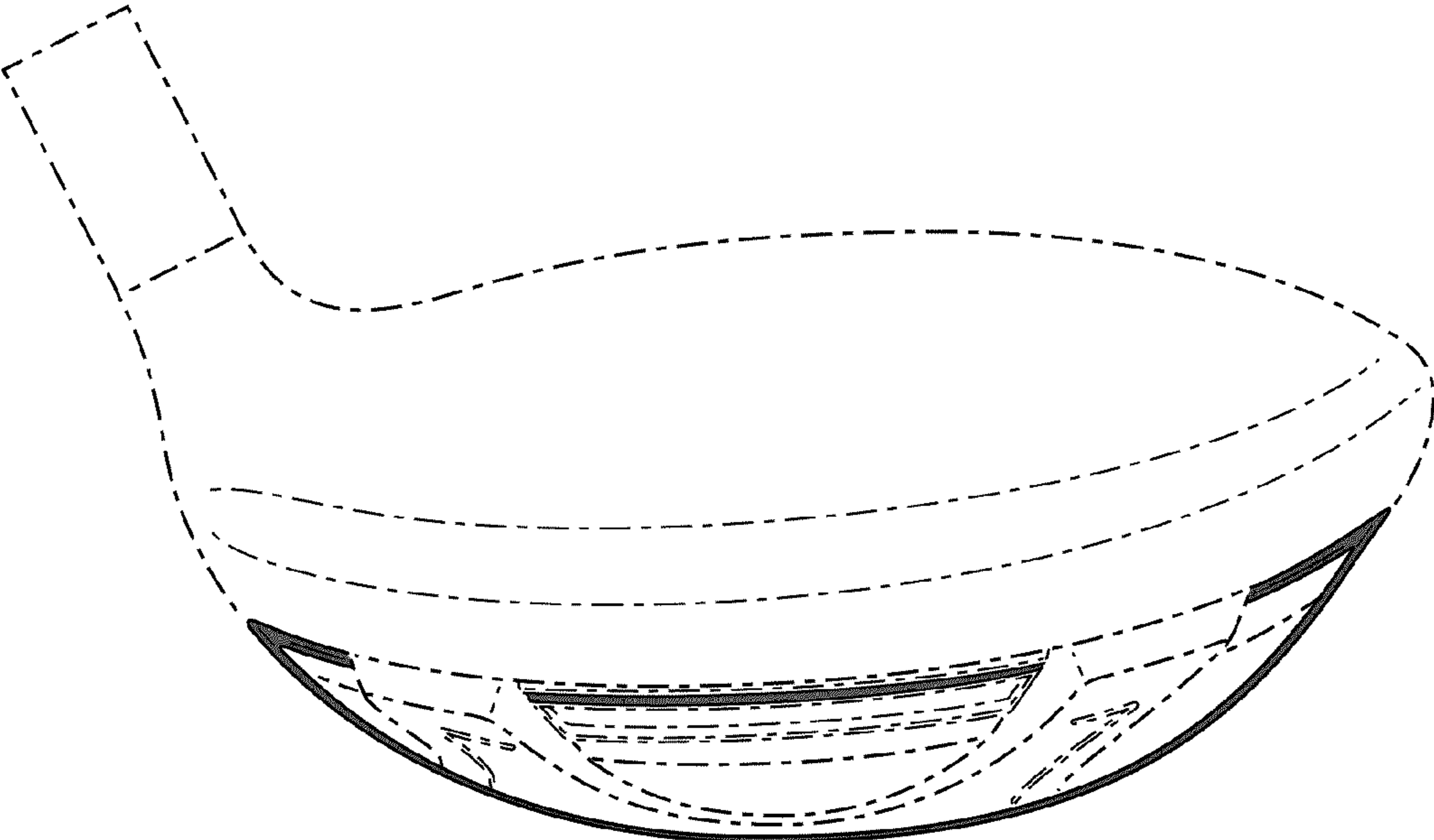


FIG. 3

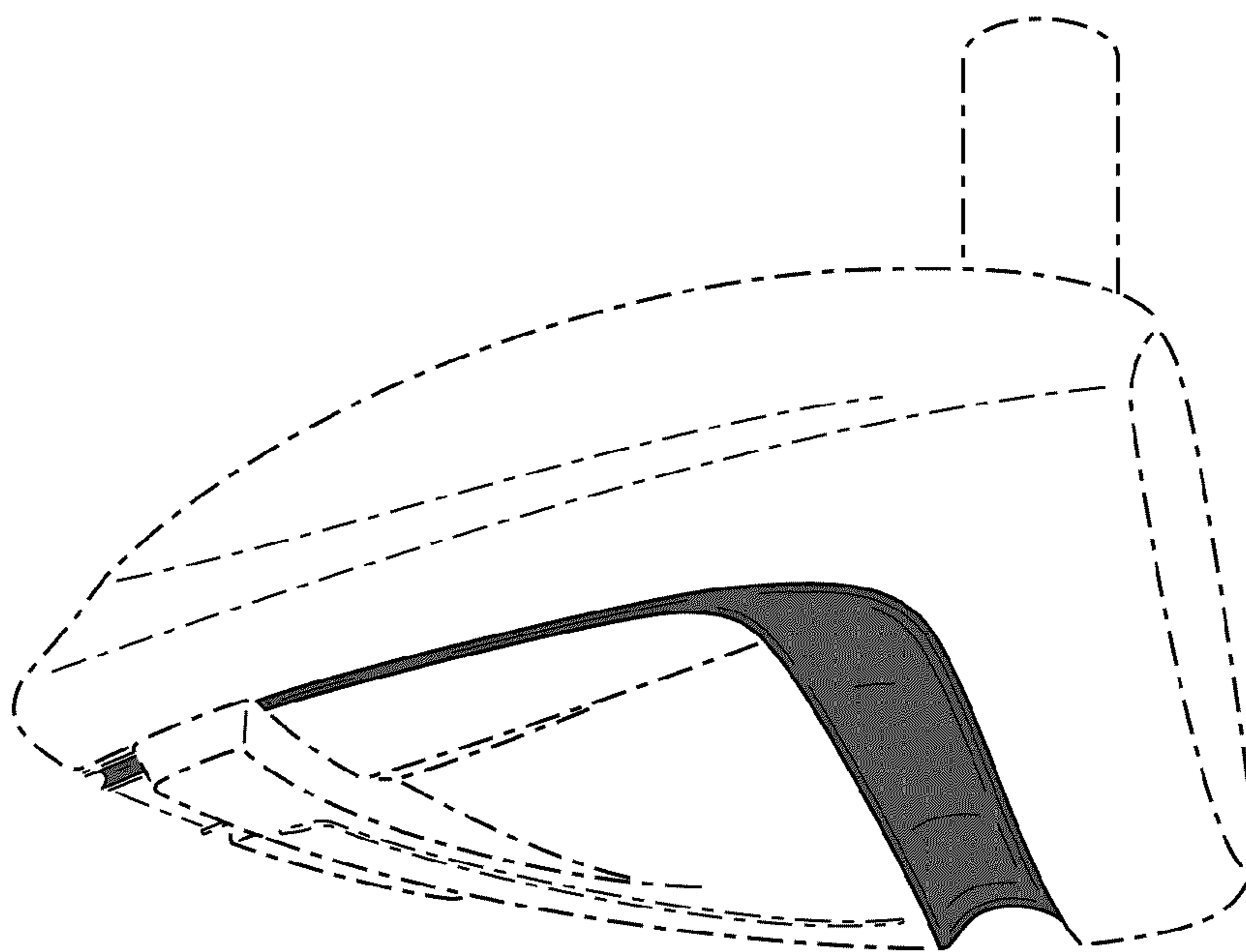


FIG. 4

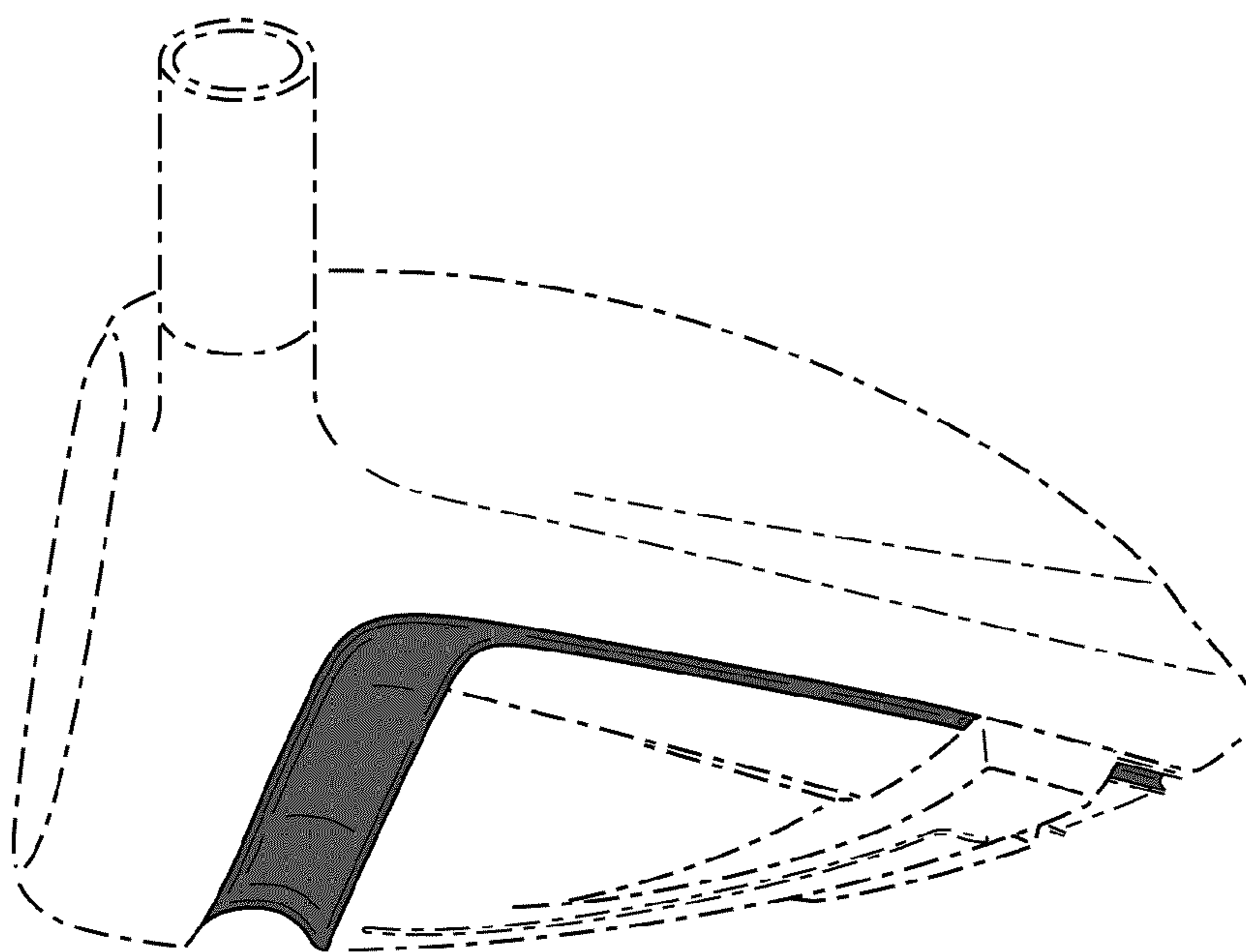


FIG. 5

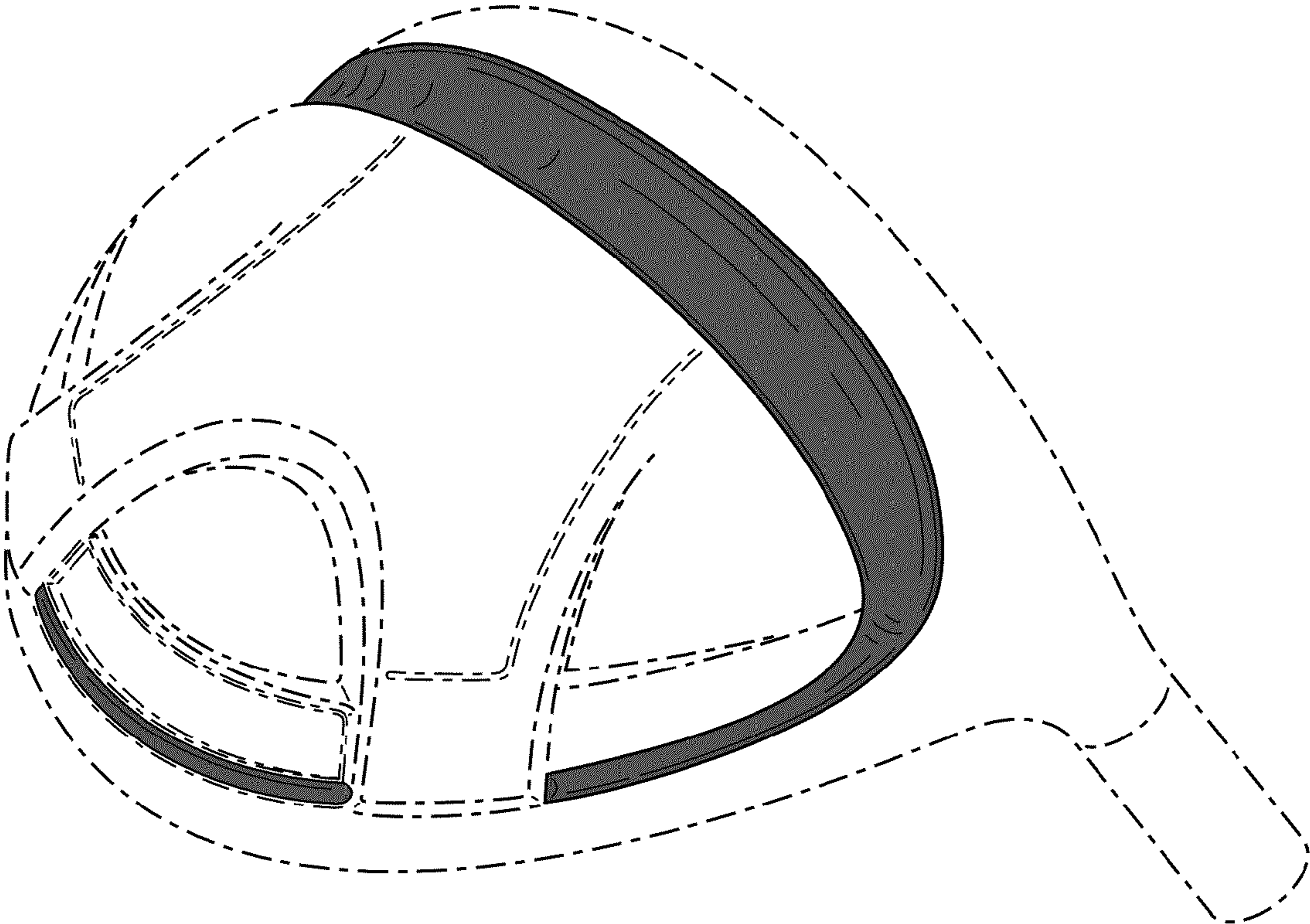


FIG. 6



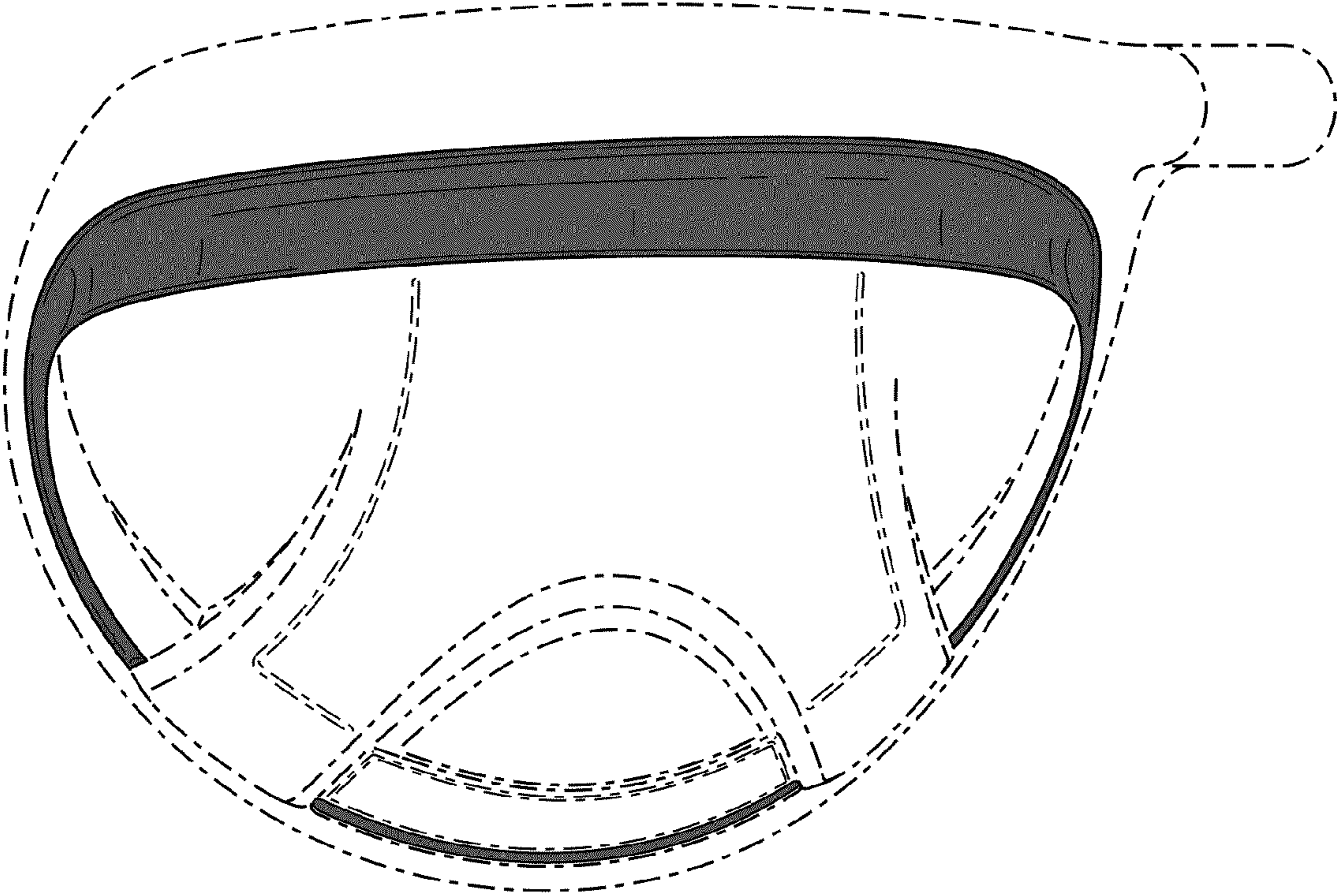


FIG. 7

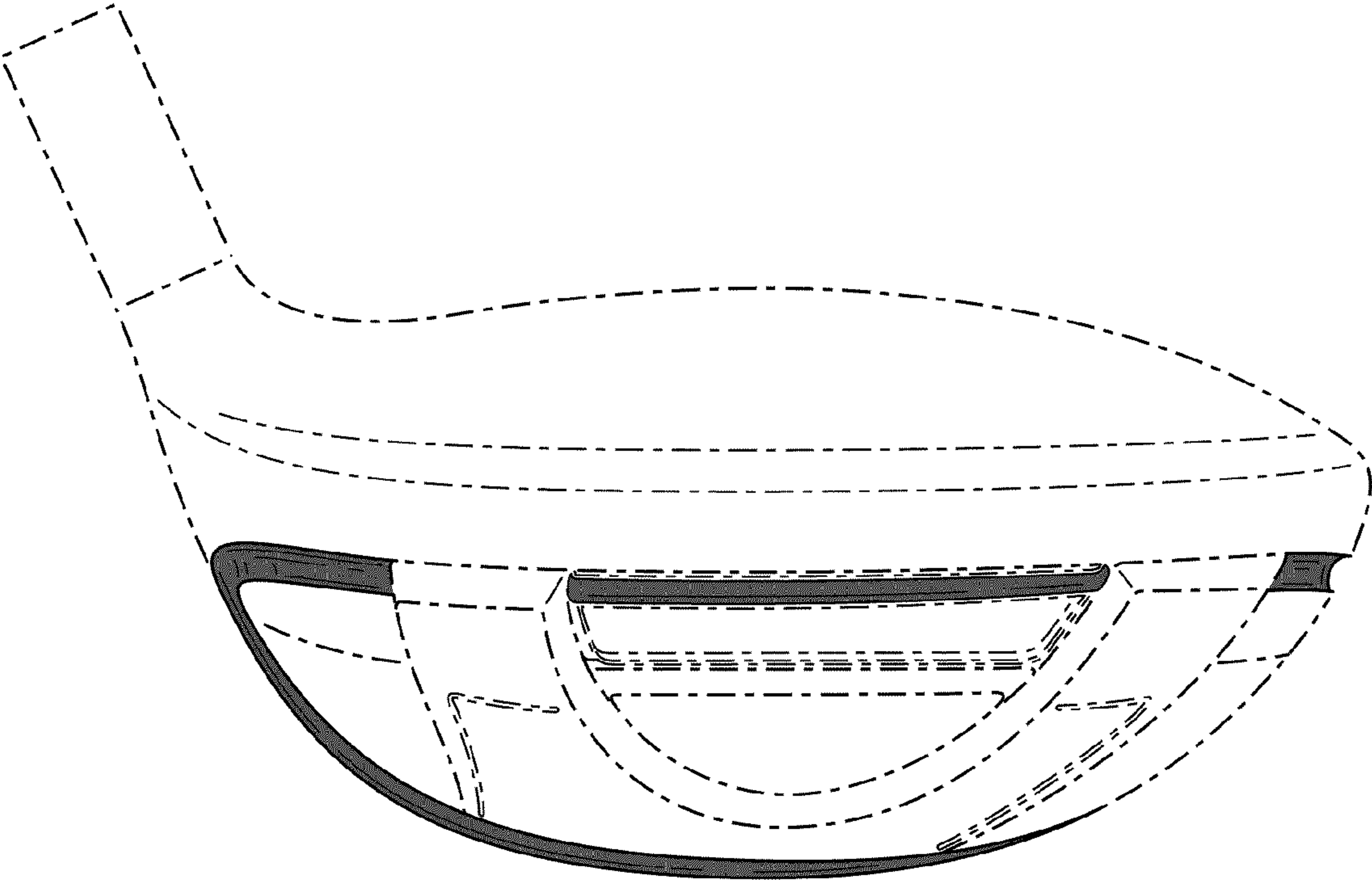


FIG. 8

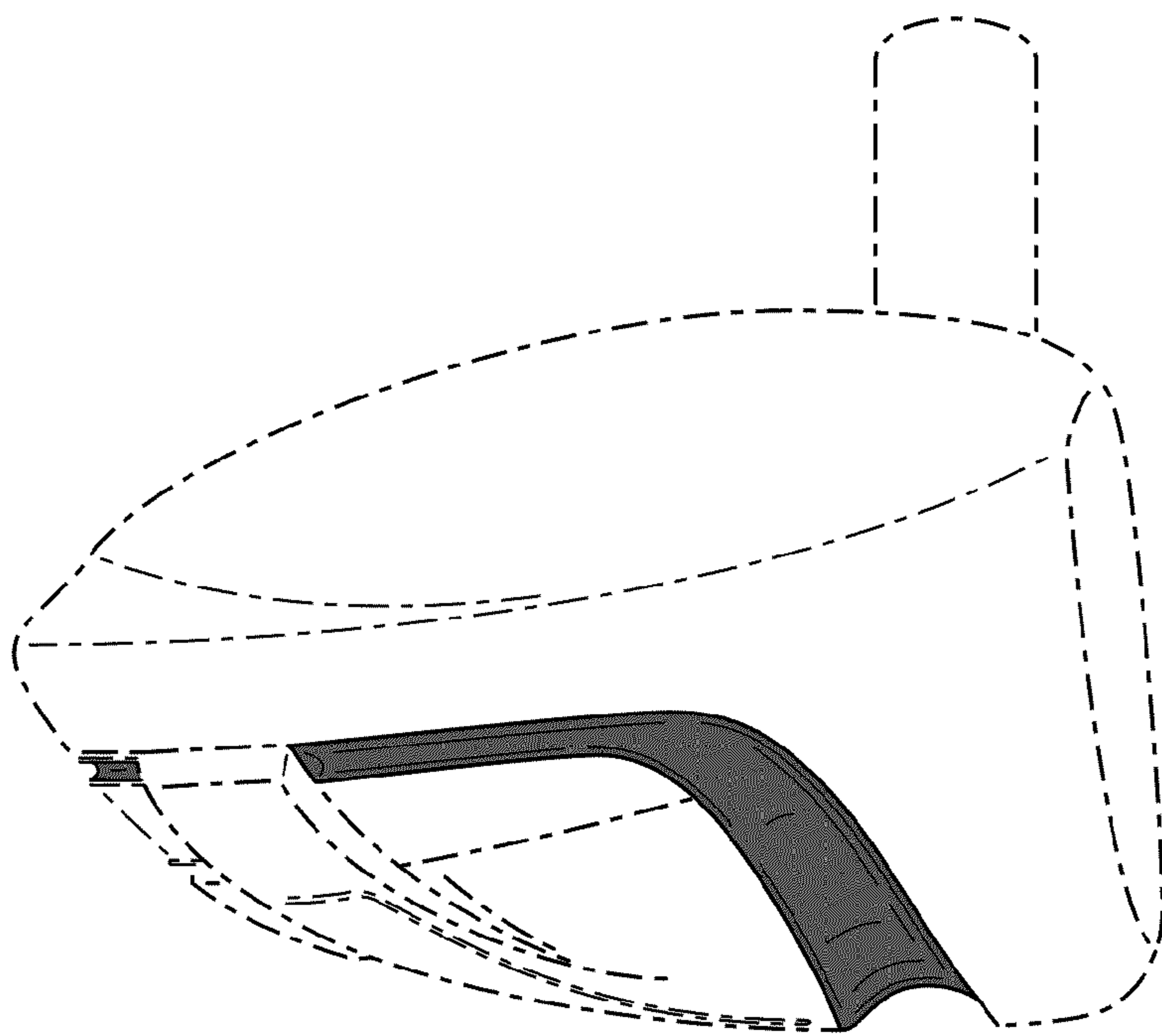


FIG. 9

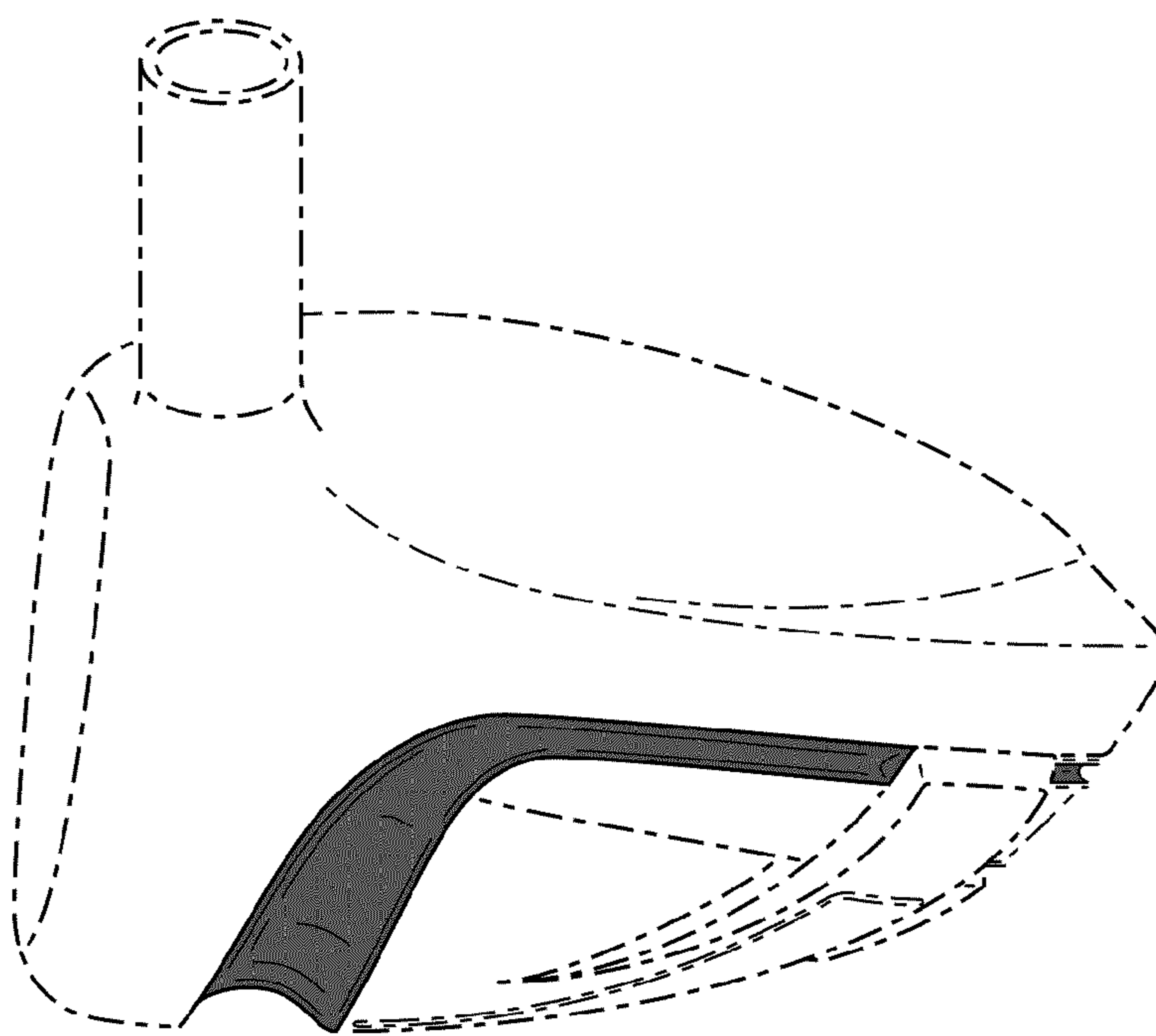


FIG. 10