



US00D612434S

(12) **United States Design Patent**
Christensen

(10) **Patent No.:** **US D612,434 S**
(45) **Date of Patent:** **** Mar. 23, 2010**

- (54) **ELEMENT FOR A BUILDING SET**
- (75) Inventor: **Anders Gaasedal Christensen**, Vejle (DK)
- (73) Assignee: **Lego A/S**, Billund (DK)
- (**) Term: **14 Years**
- (21) Appl. No.: **29/315,116**
- (22) Filed: **May 27, 2009**
- (30) **Foreign Application Priority Data**
Nov. 28, 2008 (EM) 001050645
- (51) **LOC (9) Cl.** **21-01**
- (52) **U.S. Cl.** **D21/501**; D21/491
- (58) **Field of Classification Search** D21/484,
D21/485, 486, 489, 491, 494, 495, 499, 500–504;
446/69, 85, 102–128; 434/208, 259, 403;
273/153, 156, 160; 428/174
See application file for complete search history.

- (56) **References Cited**
U.S. PATENT DOCUMENTS
D290,628 S * 6/1987 Dideriksen D21/489
D295,541 S * 5/1988 Knudsen D21/484

- D374,257 S * 10/1996 Schmidt et al. D21/486
- D378,838 S * 4/1997 Olsen et al. D21/486
- D532,054 S * 11/2006 Kim D21/486
- D537,484 S * 2/2007 Ganderton D21/494
- D546,902 S * 7/2007 Ganderton D21/494

* cited by examiner

Primary Examiner—Philip S Hyder
Assistant Examiner—Cynthia M Chin
(74) *Attorney, Agent, or Firm*—Day Pitney LLP

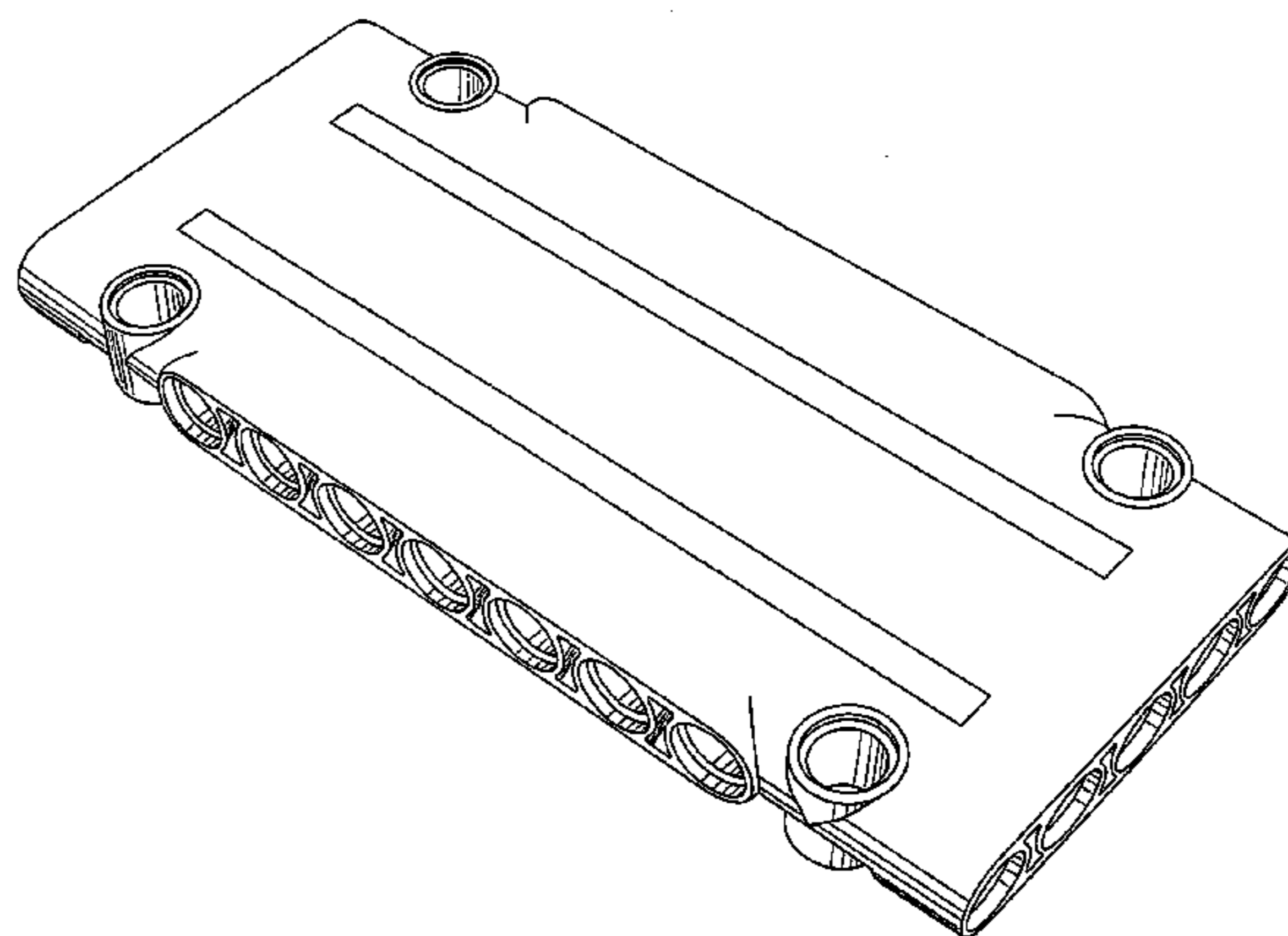
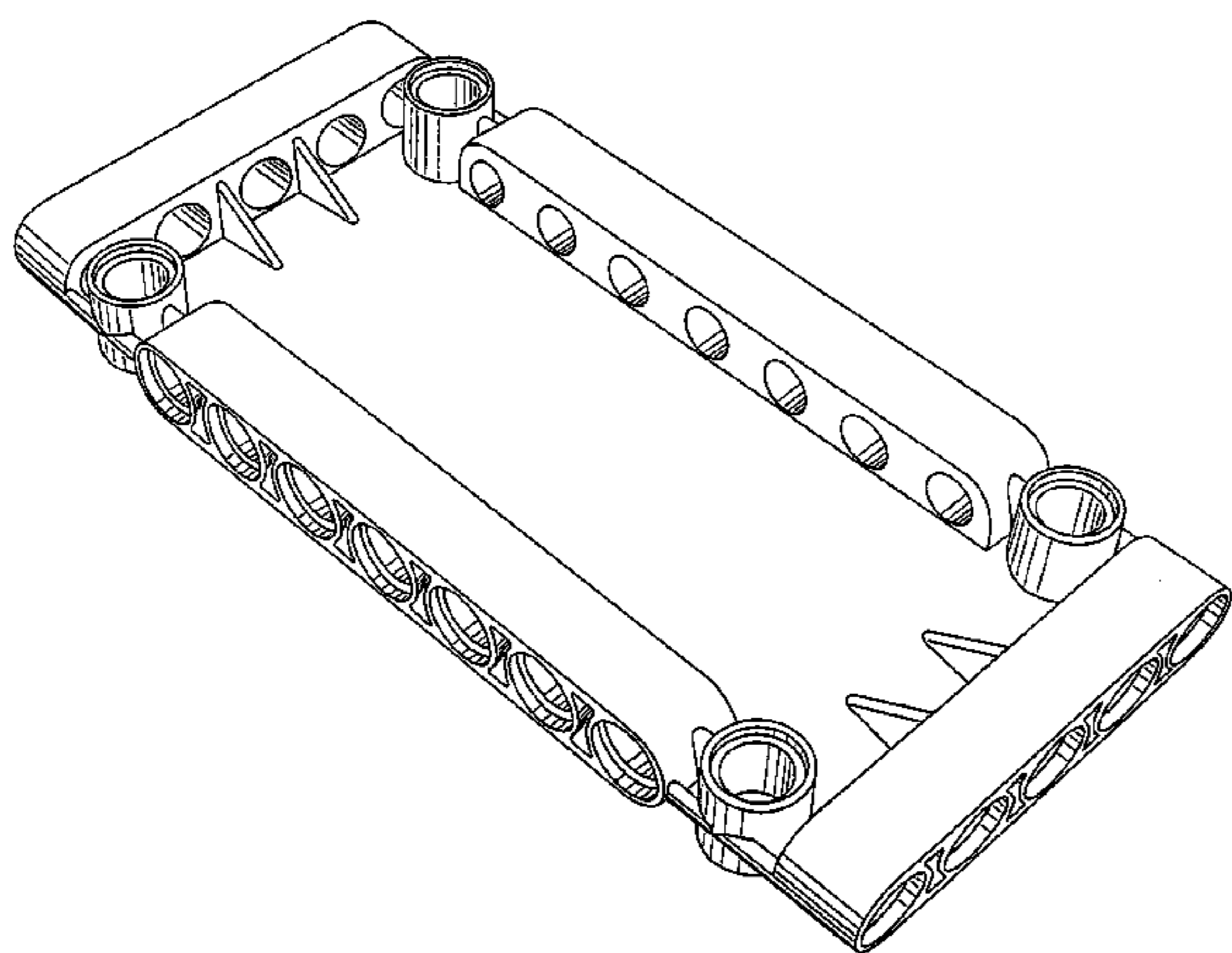
(57) **CLAIM**

The ornamental design for an element for a building set, as shown and described.

DESCRIPTION

FIG. 1 is a top perspective view of my design for an element for a building set;
FIG. 2 is a bottom perspective view thereof;
FIG. 3 is a top plan view thereof;
FIG. 4 is a bottom plan view thereof;
FIG. 5 is a front view thereof, the rear being the same;
FIG. 6 is a right side view thereof; and,
FIG. 7 is a left side view thereof.

1 Claim, 7 Drawing Sheets



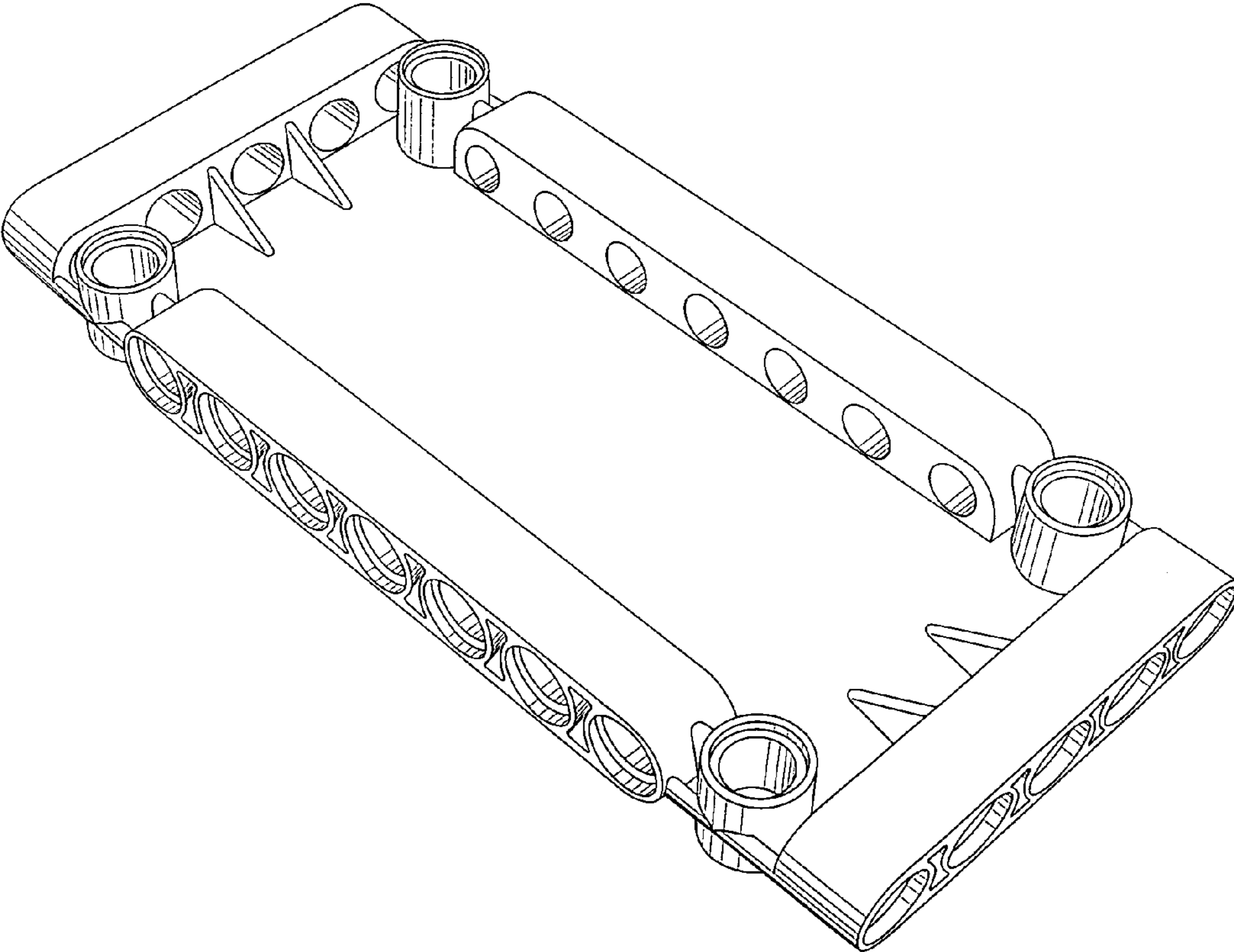


FIG. 1

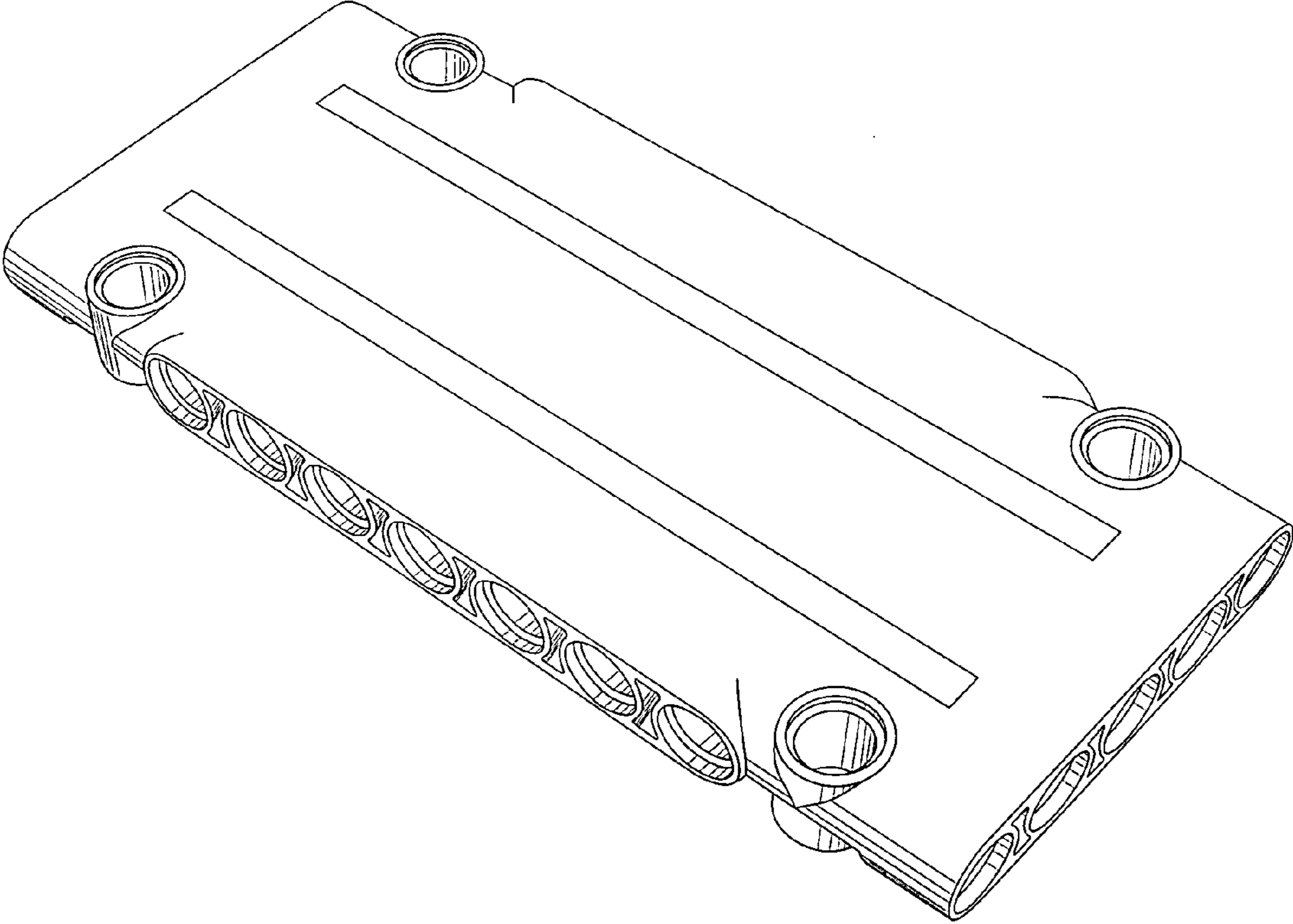


FIG. 2

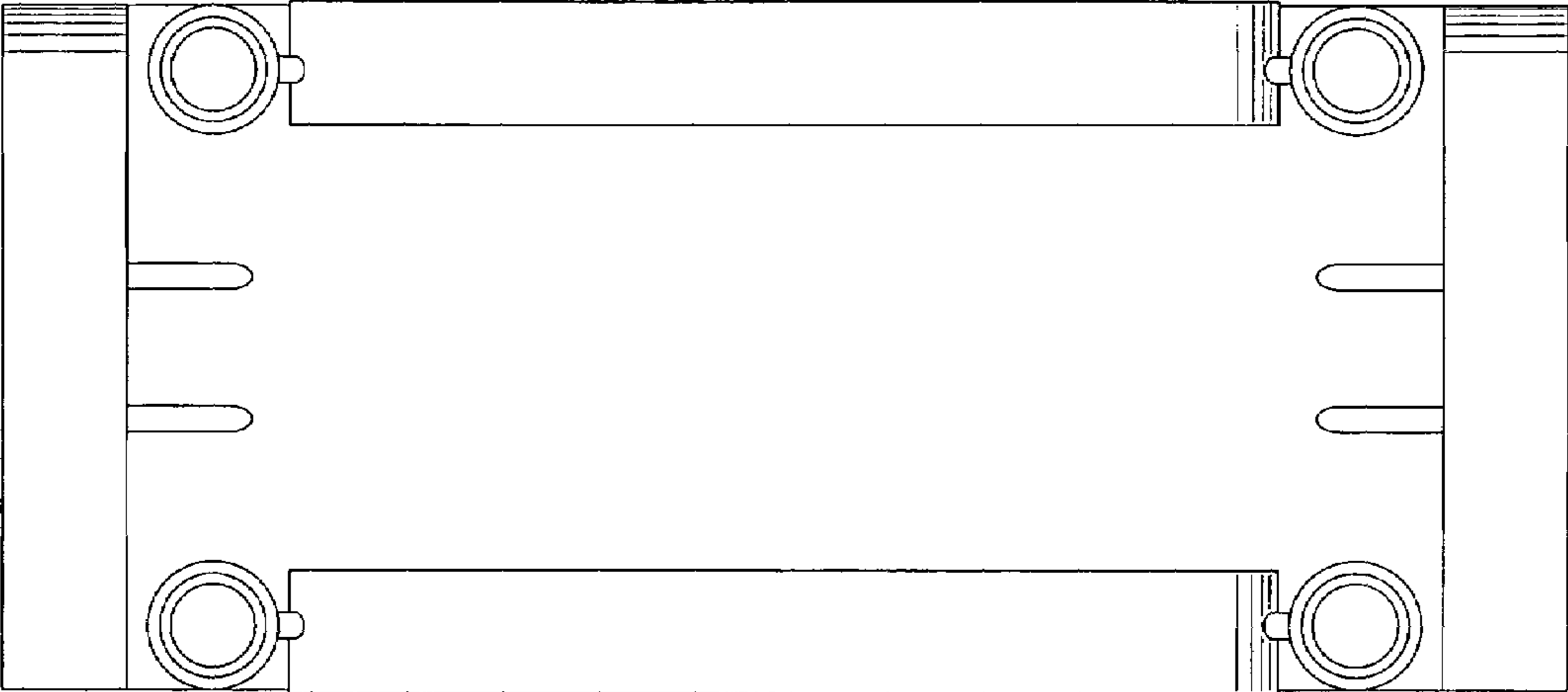


FIG. 3

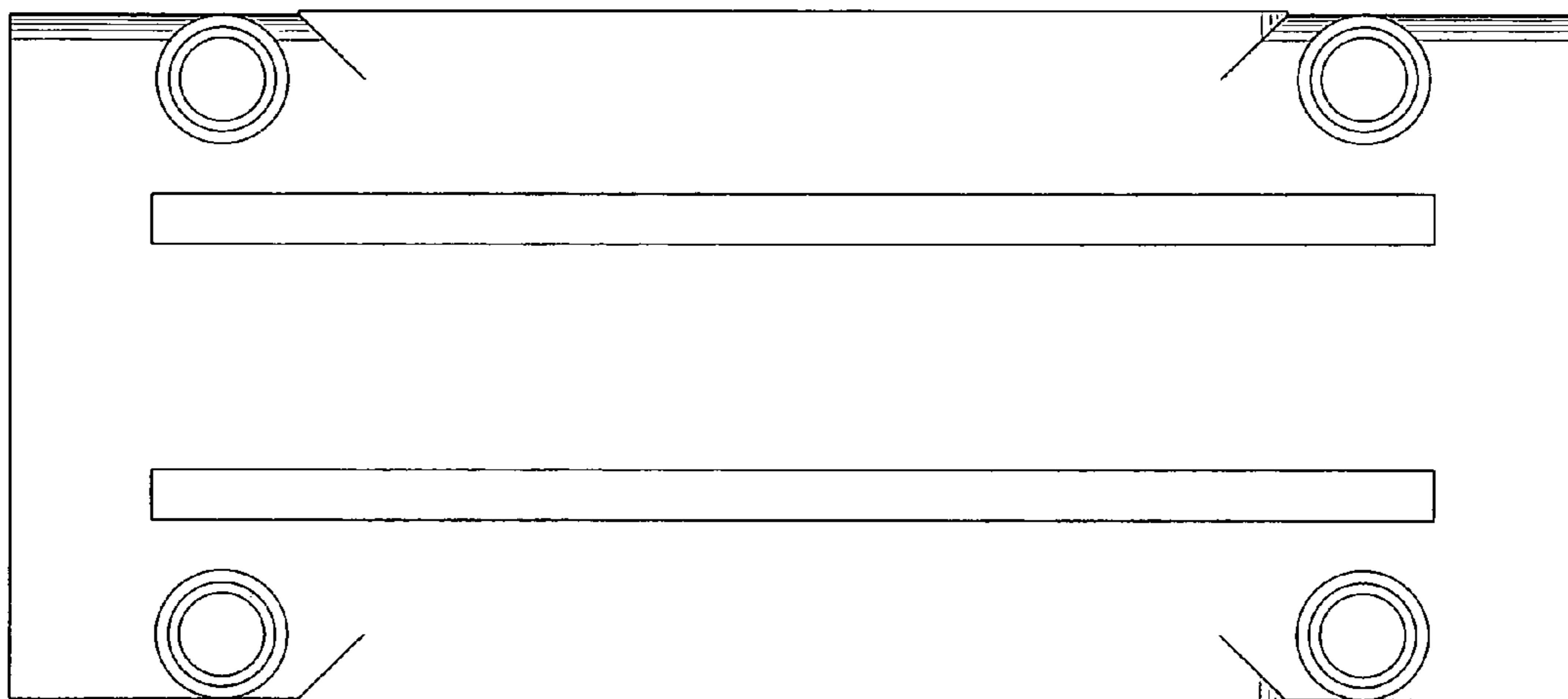


FIG. 4

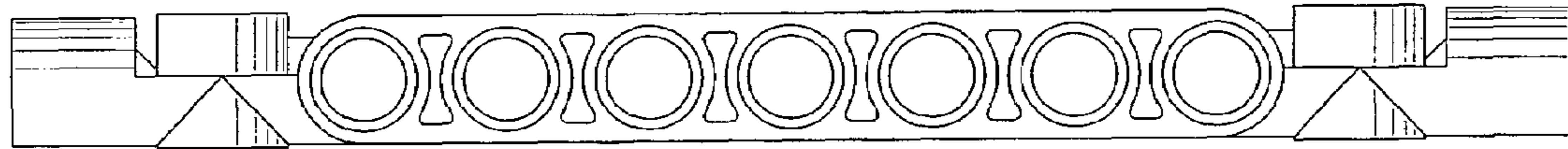


FIG. 5

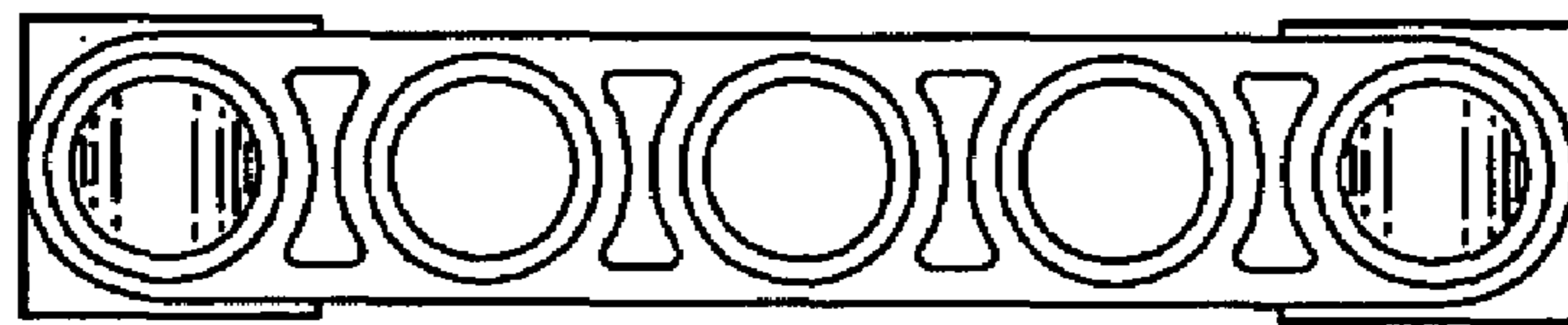


FIG. 6



FIG. 7