



US00D612433S

(12) **United States Design Patent**
Mori

(10) **Patent No.:** **US D612,433 S**
(45) **Date of Patent:** **** Mar. 23, 2010**

(54) **GAME MACHINE**

(75) Inventor: **Yasuo Mori**, Kanagawa (JP)

(73) Assignee: **Namco Bandai Games Inc.**, Tokyo (JP)

(**) Term: **14 Years**

(21) Appl. No.: **29/333,208**

(22) Filed: **Mar. 4, 2009**

(30) **Foreign Application Priority Data**

Sep. 4, 2008 (JP) 2008-022794

(51) **LOC (9) Cl.** **21-01**

(52) **U.S. Cl.** **D21/326**

(58) **Field of Classification Search** D21/325,
D21/329, 333, 369-371, 385; 273/148 B,
273/138.1; 463/1, 16-21, 25, 42, 46, 47
See application file for complete search history.

(56) **References Cited**

U.S. PATENT DOCUMENTS

5,439,230 A * 8/1995 Mendes, Jr. 273/349
D399,881 S * 10/1998 Muraki et al. D21/325
D407,758 S * 4/1999 Isetani et al. D21/326
6,410,835 B2 * 6/2002 Suzuki et al. 84/464 R
6,471,586 B1 * 10/2002 Aiki et al. 463/6

6,612,929 B2 * 9/2003 Fujimoto et al. 463/32
6,739,974 B2 * 5/2004 Kanno et al. 463/36
D541,825 S * 5/2007 Pettersson D15/30
D562,409 S * 2/2008 Shoui et al. D21/325
D569,442 S * 5/2008 Sato et al. D21/325

* cited by examiner

Primary Examiner—Prabhakar Deshmukh

(74) *Attorney, Agent, or Firm*—Oliff & Berridge, PLC

(57) **CLAIM**

The ornamental design for a game machine, as shown and described.

DESCRIPTION

FIG. 1 is a perspective view of a game machine;

FIG. 2 is a front view thereof;

FIG. 3 is a top view thereof;

FIG. 4 is a right-side view thereof;

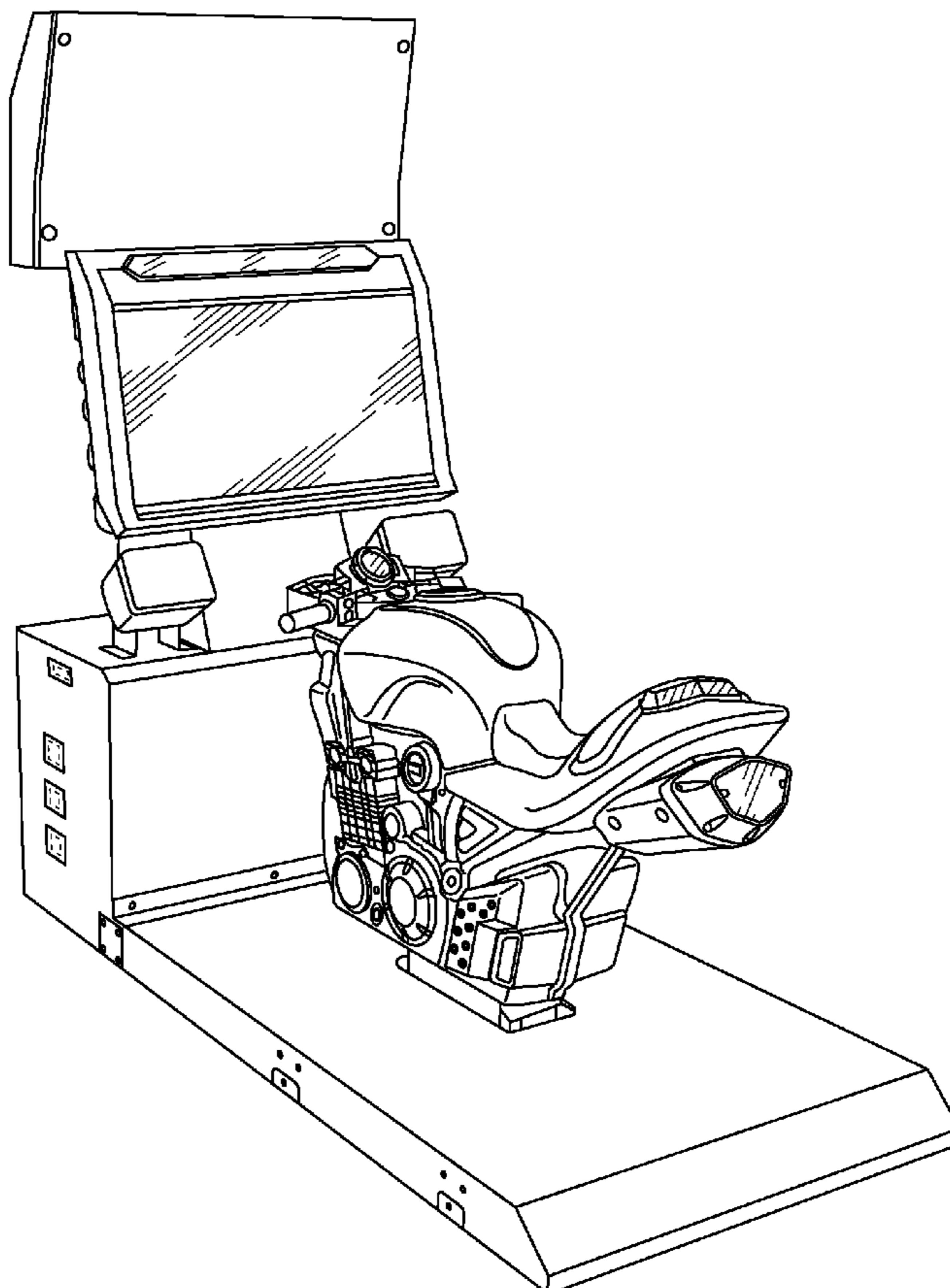
FIG. 5 is a left-side view thereof;

FIG. 6 is a rear view thereof; and,

FIG. 7 is a bottom view thereof.

The broken lines depict environmental subject matter only and form no part of the claimed design.

1 Claim, 7 Drawing Sheets



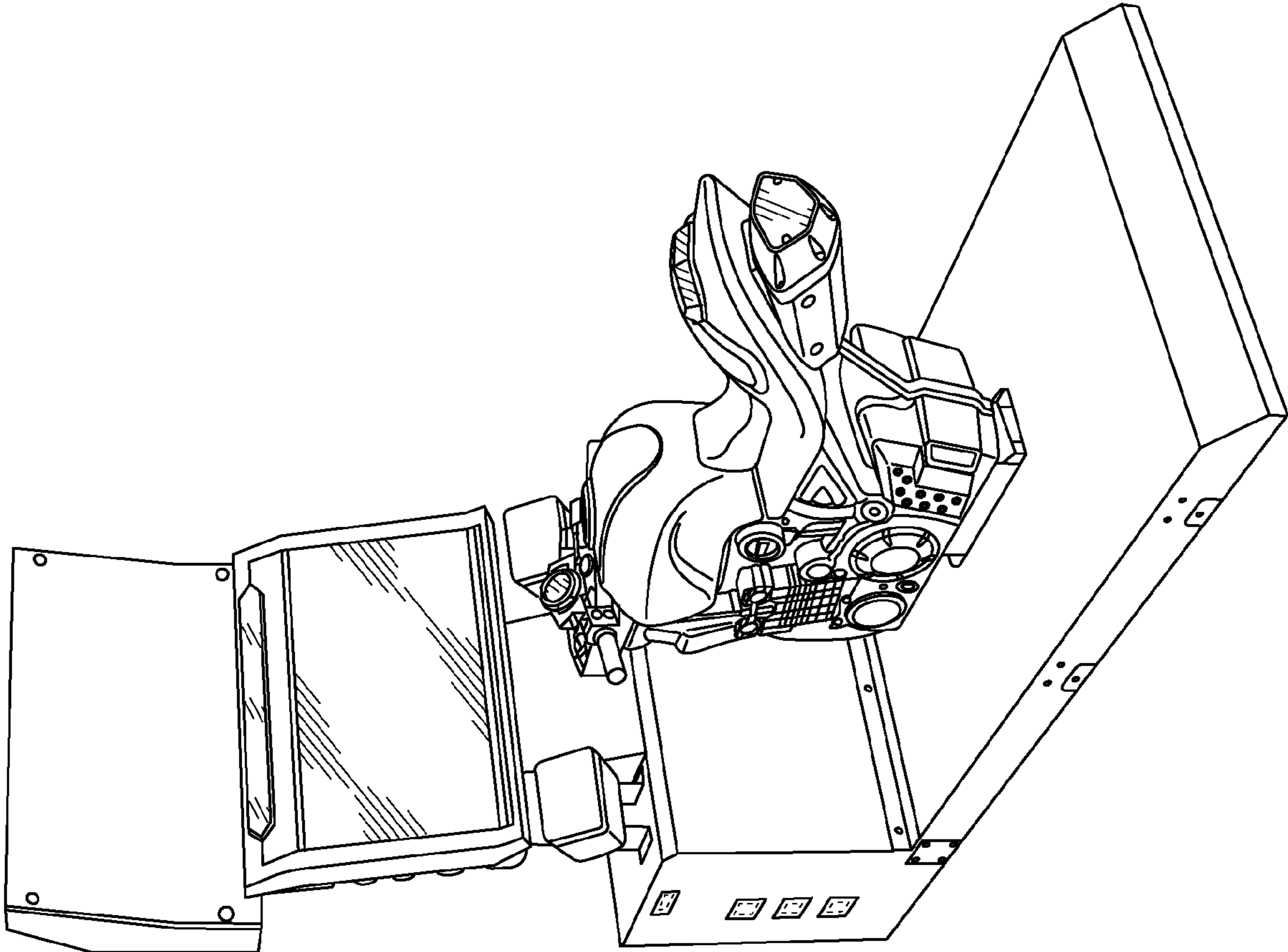


FIG. 1

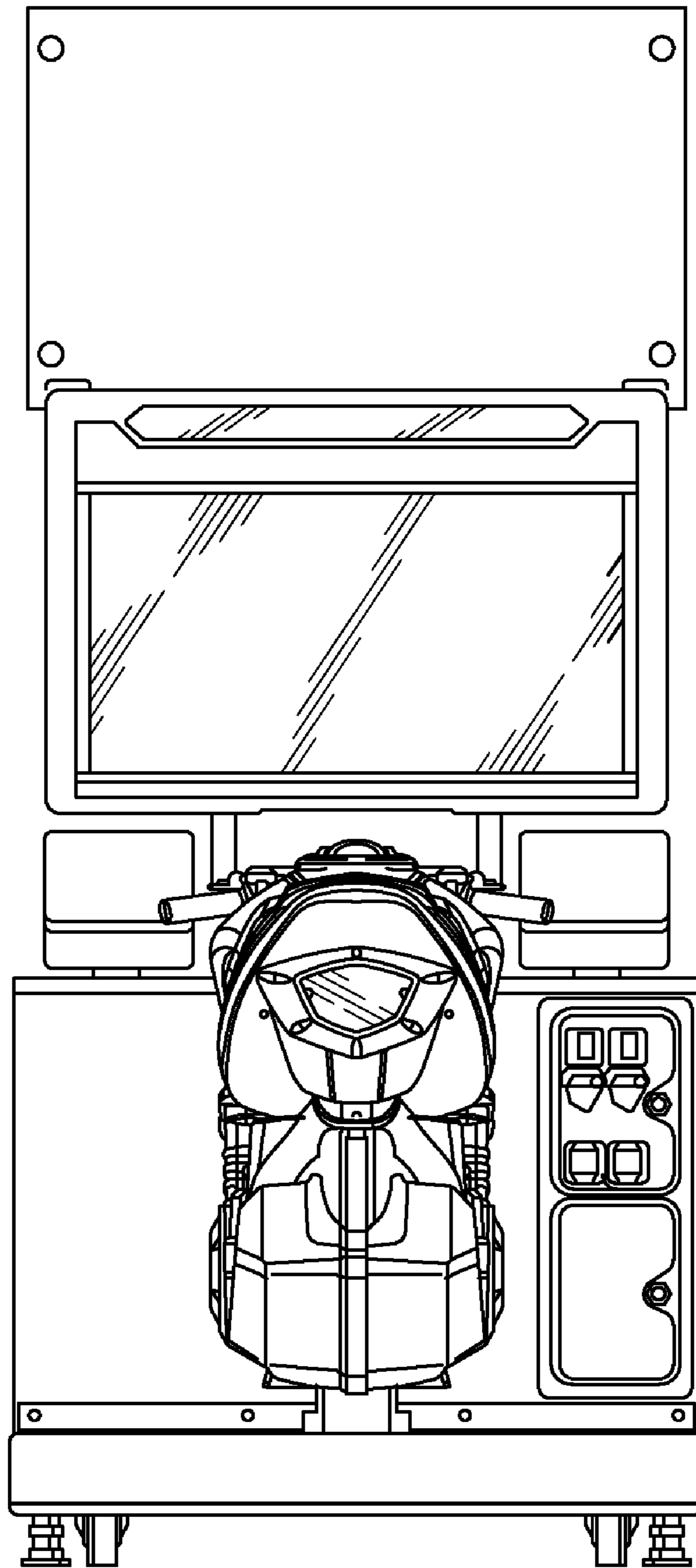


FIG. 2

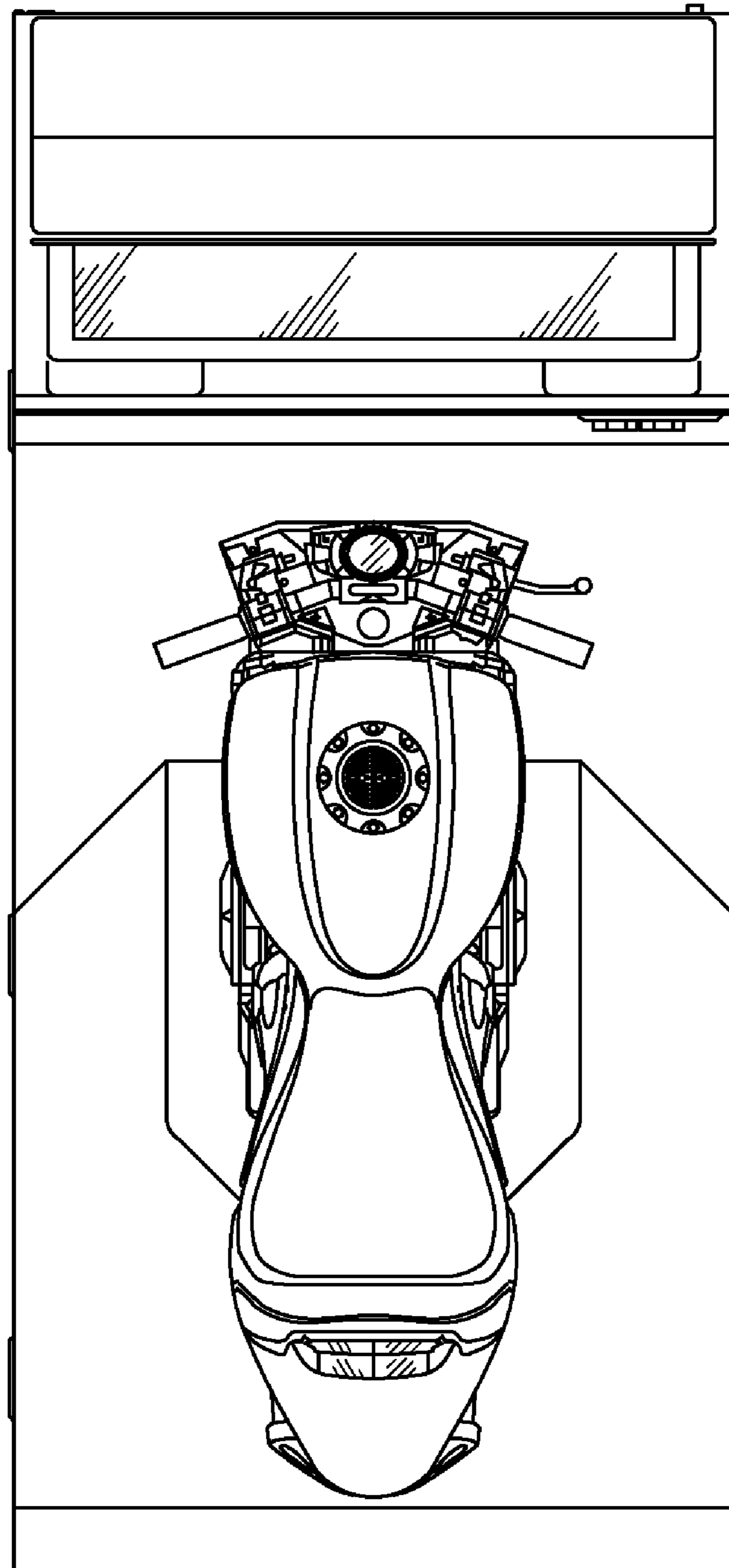


FIG. 3

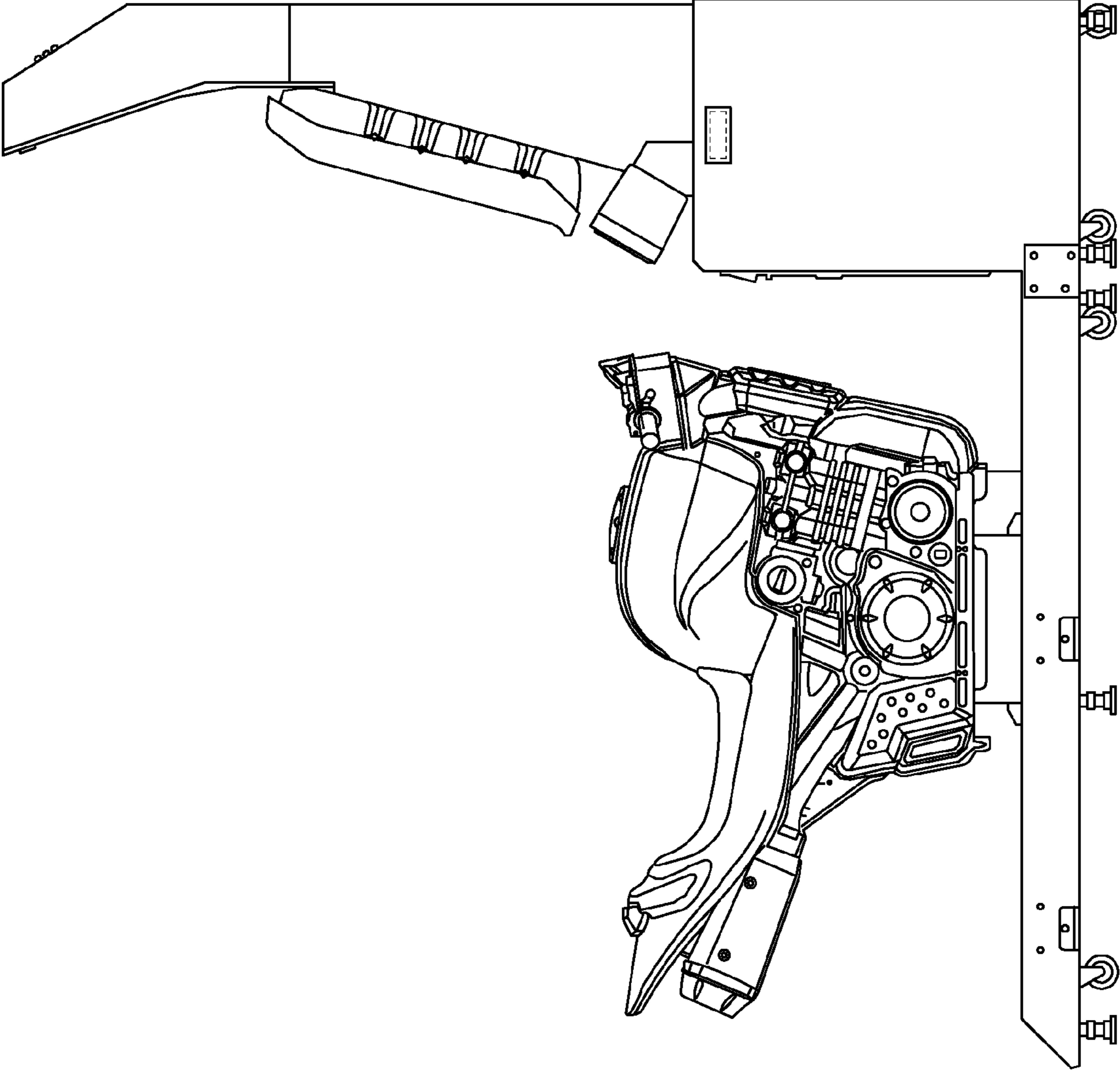


FIG. 4

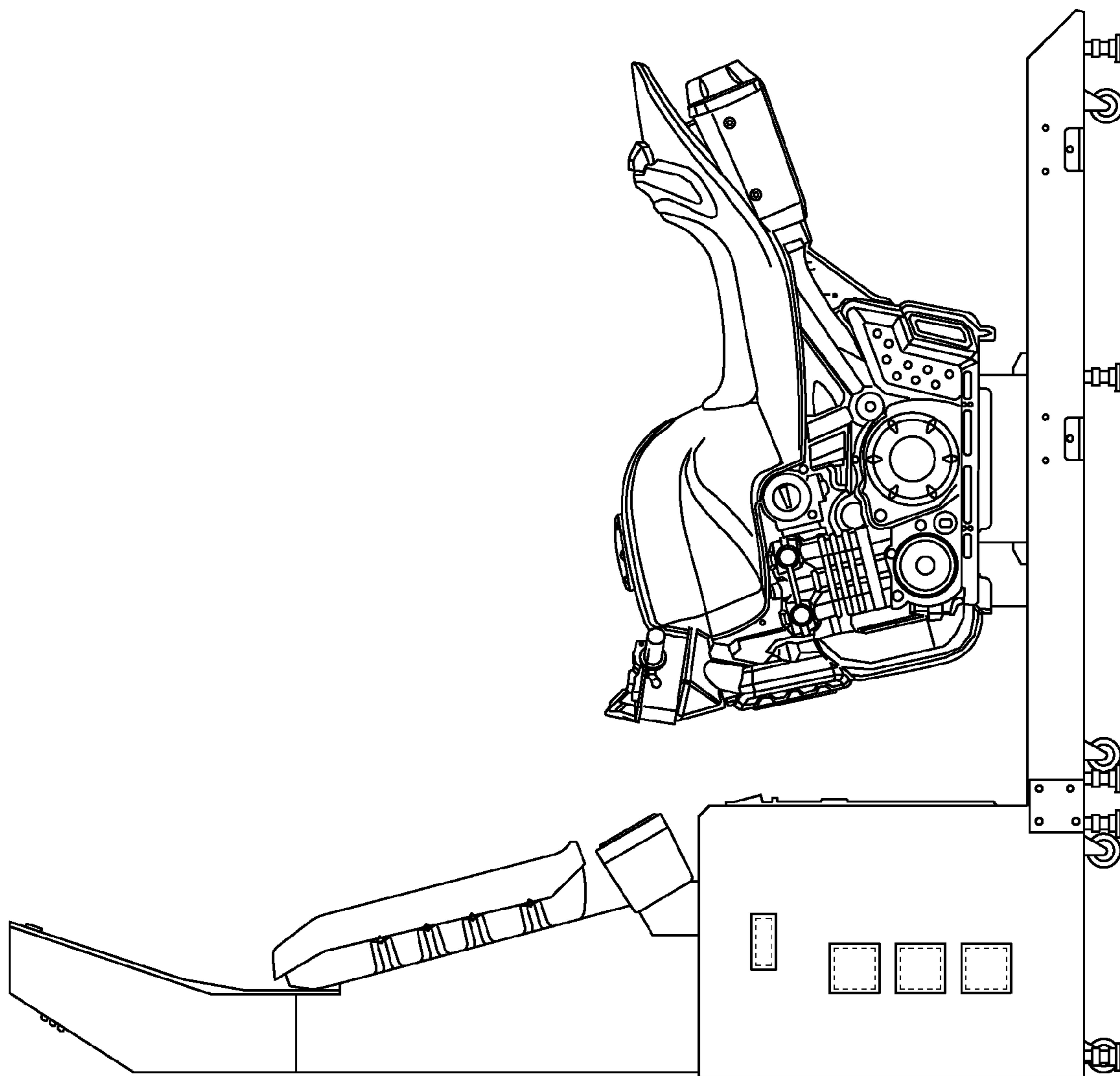


FIG. 5

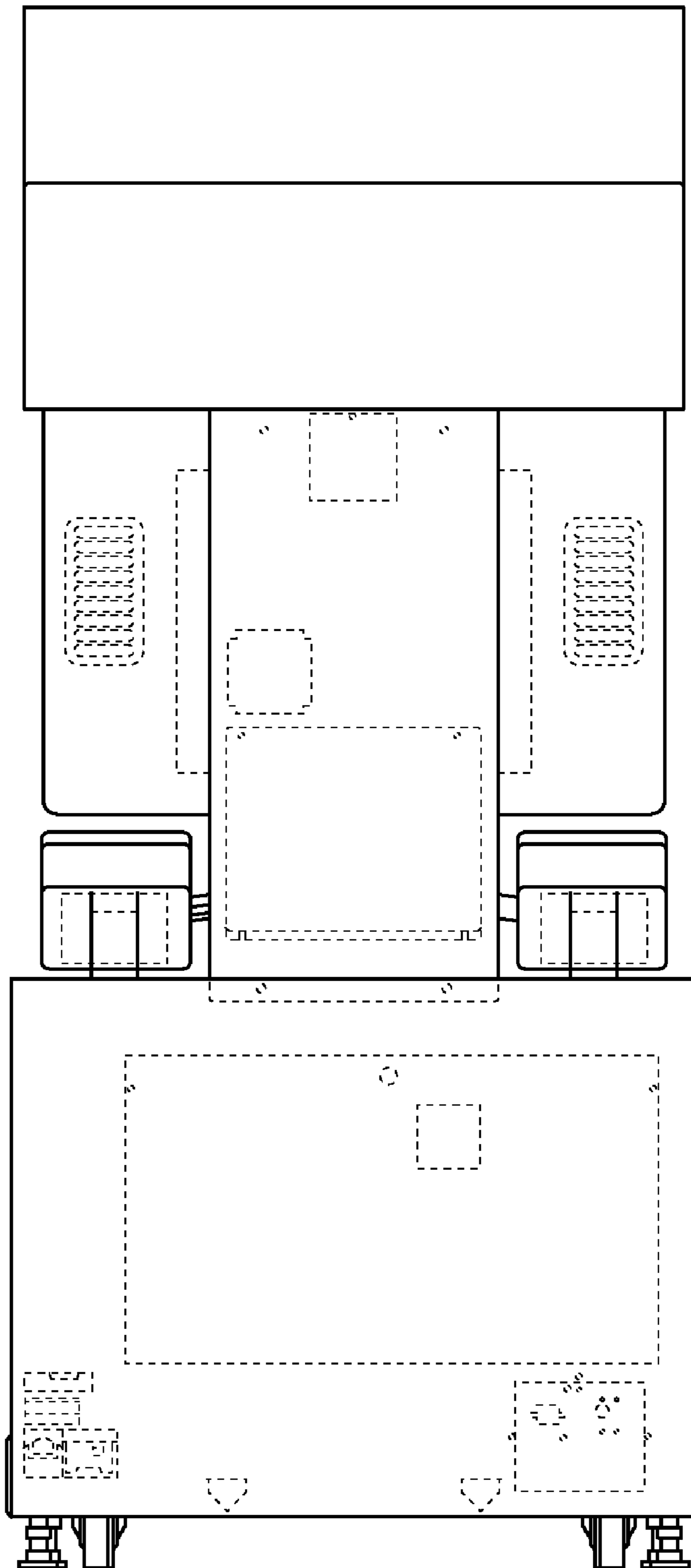


FIG. 6

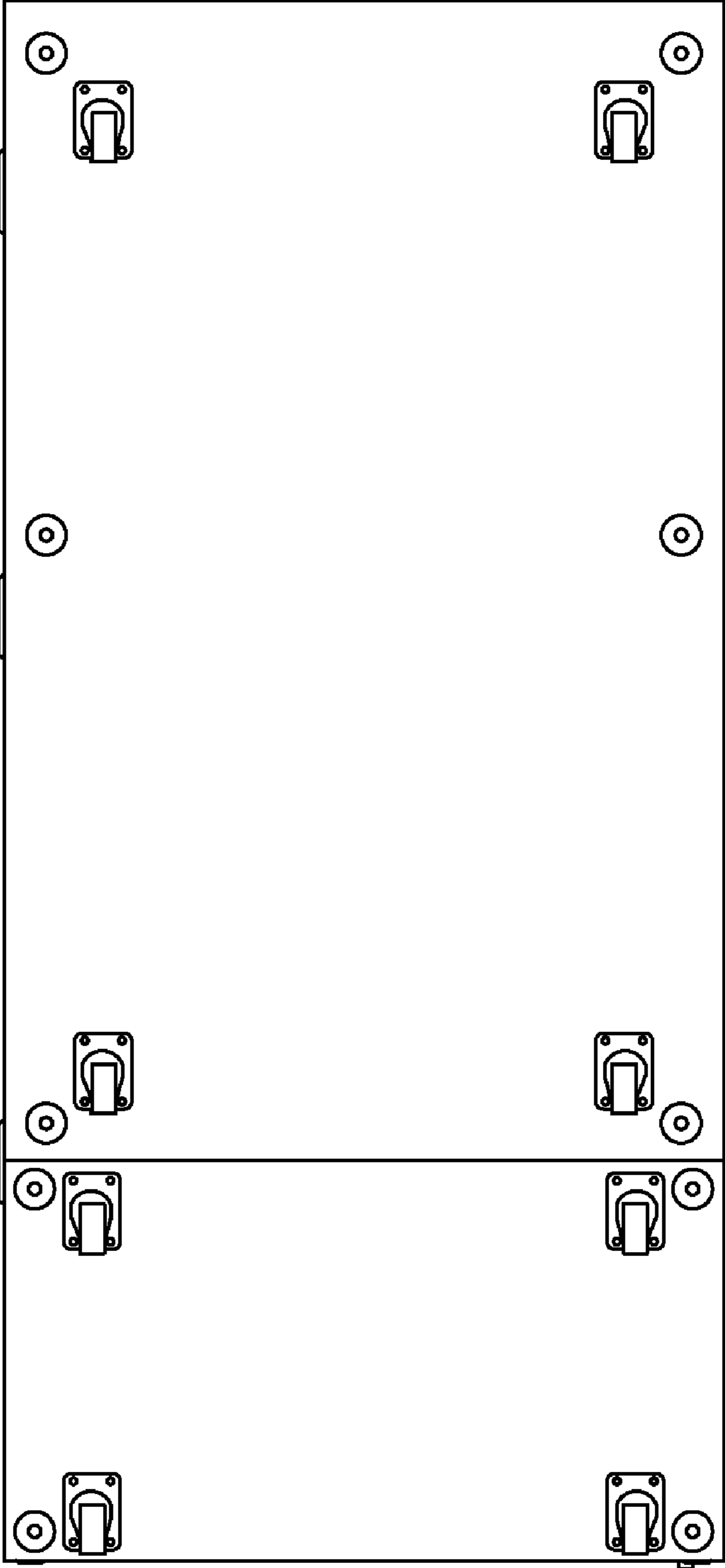


FIG. 7