



US00D612431S

(12) **United States Design Patent**
Labeledz et al.

(10) **Patent No.:** **US D612,431 S**
(45) **Date of Patent:** **** Mar. 23, 2010**

(54) **BICYCLE FOR INTERACTIVE GAME**

(75) Inventors: **Lawrence Labeledz**, Naperville, IL (US);
William Carter, Dyer, IN (US);
Patricia Venetucci, Hawthorn Woods, IL (US)

(73) Assignee: **Keyser Interactive, LLC**, Evergreen Park, IL (US)

(**) Term: **14 Years**

(21) Appl. No.: **29/312,699**

(22) Filed: **Nov. 7, 2008**

(51) **LOC (9) Cl.** **21-01**

(52) **U.S. Cl.** **D21/324**

(58) **Field of Classification Search** D21/324–326,
D21/328, 333, 663–667; 273/148 B, 440,
273/441, 445, 449, 450, 460, 551; 463/1,
463/6, 7, 30–32, 36, 47; 482/1–9, 51, 54,
482/57–6; 345/161–163; 700/20, 91, 92;
434/61

See application file for complete search history.

(56) **References Cited**

U.S. PATENT DOCUMENTS

4,630,817	A *	12/1986	Buckley	463/37
4,887,967	A *	12/1989	Letovsky et al.	434/61
5,137,501	A	8/1992	Mertesdorf	
5,209,662	A *	5/1993	Fujita et al.	434/61
5,246,411	A *	9/1993	Rackman et al.	482/57
5,462,503	A	10/1995	Ulrich et al.	
5,466,200	A	11/1995	Ulrich et al.	
5,591,104	A *	1/1997	Andrus et al.	482/7
5,645,513	A	7/1997	Haydocy et al.	
5,772,504	A *	6/1998	Machiguchi	463/6
5,785,630	A	7/1998	Bobick et al.	
5,823,876	A *	10/1998	Unbehand	463/37
5,839,990	A	11/1998	Virkkala	
D403,032	S *	12/1998	Huang	D21/666
5,888,172	A	3/1999	Andrus et al.	
5,989,123	A	11/1999	Tosaki	
6,004,243	A	12/1999	Ewert	

6,024,675	A *	2/2000	Kashiwaguchi	482/4
D432,585	S *	10/2000	Okabe	D21/324
6,142,913	A	11/2000	Ewert	
6,152,856	A	11/2000	Studor	
6,217,449	B1	4/2001	Kaku	
6,296,571	B1	10/2001	McVicar	
D478,042	S *	8/2003	Yaguchi et al.	D13/114
D479,865	S *	9/2003	Arai et al.	D21/666
D480,120	S *	9/2003	Arai et al.	D21/666
6,712,737	B1	3/2004	Nusbaum	
6,881,176	B2	4/2005	Oishi et al.	
6,902,513	B1	6/2005	McClure	
6,910,991	B2	6/2005	Matsumoto	
6,918,860	B1	7/2005	Nusbaum	
2002/0055418	A1	5/2002	Pyles et al.	
2003/0171190	A1	9/2003	Rice	

(Continued)

OTHER PUBLICATIONS

U.S. Appl. No. 12/286,715, Labeledz et al.

(Continued)

Primary Examiner—Prabhakar Deshmukh
(74) *Attorney, Agent, or Firm*—Ryndak & Suri LLP

(57) **CLAIM**

The ornamental design for an bicycle for interactive game, as shown and described.

DESCRIPTION

FIG. 1 is a perspective view of a bicycle for interactive game showing our new design;

FIG. 2 is a front elevational view thereof;

FIG. 3 is a right side elevational view thereof;

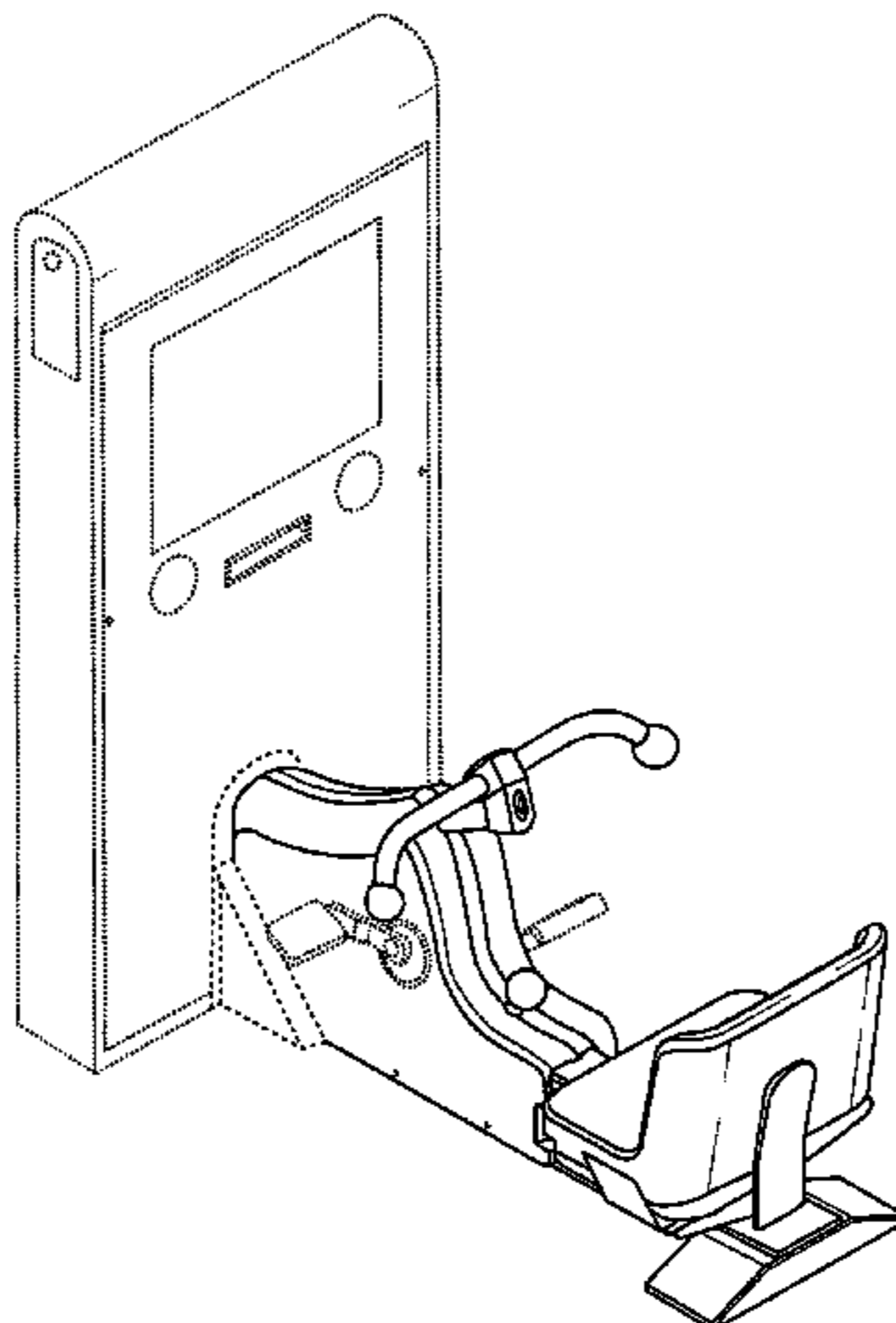
FIG. 4 is a left side elevational view thereof;

FIG. 5 is a top plan view thereof; and,

FIG. 6 is a bottom plan view thereof.

The broken lines are for illustrative purpose only and form no part of the claimed design.

1 Claim, 4 Drawing Sheets



US D612,431 S

Page 2

U.S. PATENT DOCUMENTS

2006/0229163 A1 10/2006 Waters
2006/0270522 A1 11/2006 Yonehana
2006/0292534 A1 12/2006 Tomes
2007/0123390 A1 5/2007 Mathis
2007/0254778 A1 11/2007 Ashby

OTHER PUBLICATIONS

U.S. Appl. No. 29/312,700, Labeledz et al.
U.S. Appl. No. 29/312,719, Labeledz et al.
U.S. Appl. No. 29/312,702, Labeledz et al.

* cited by examiner

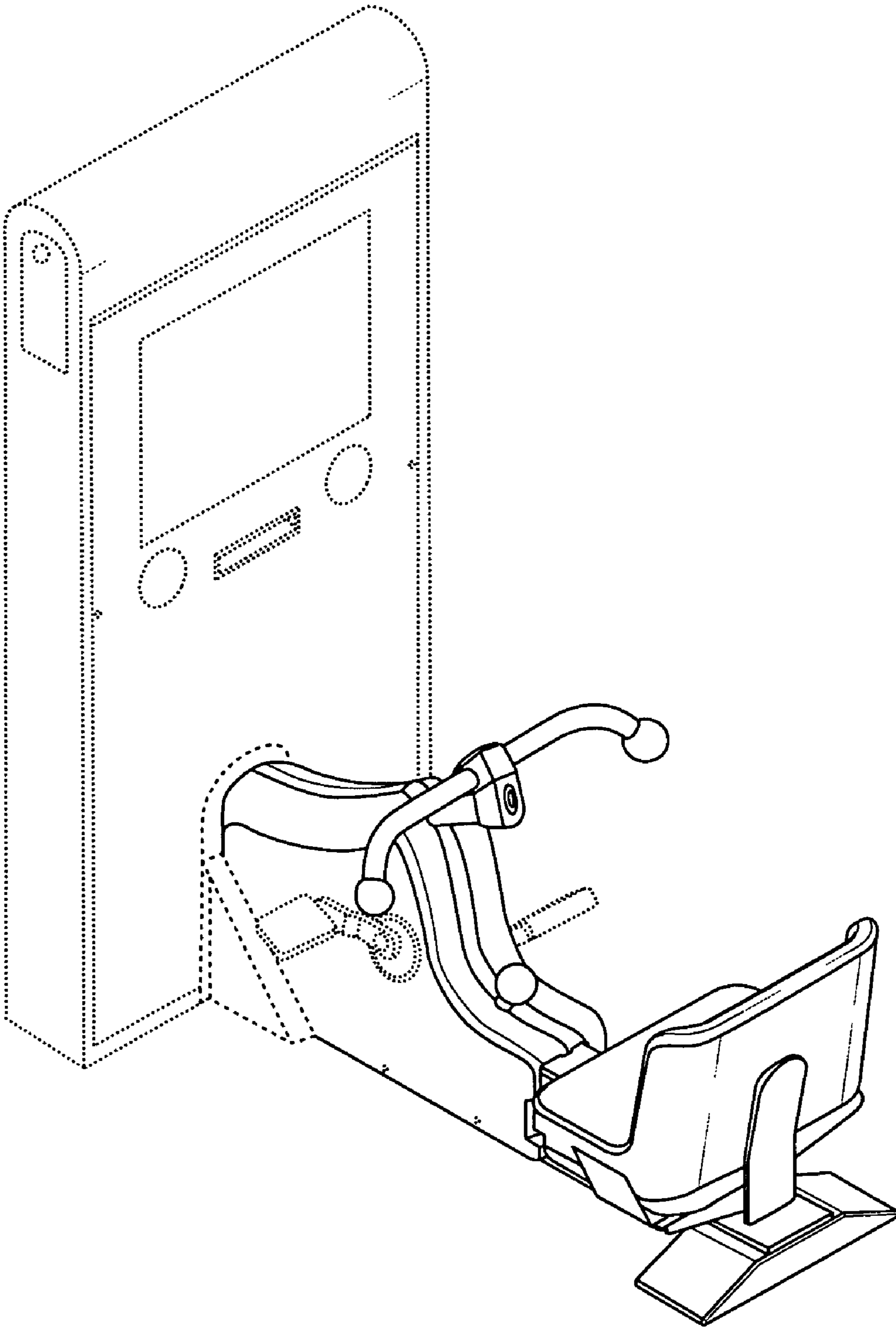


Fig. 1

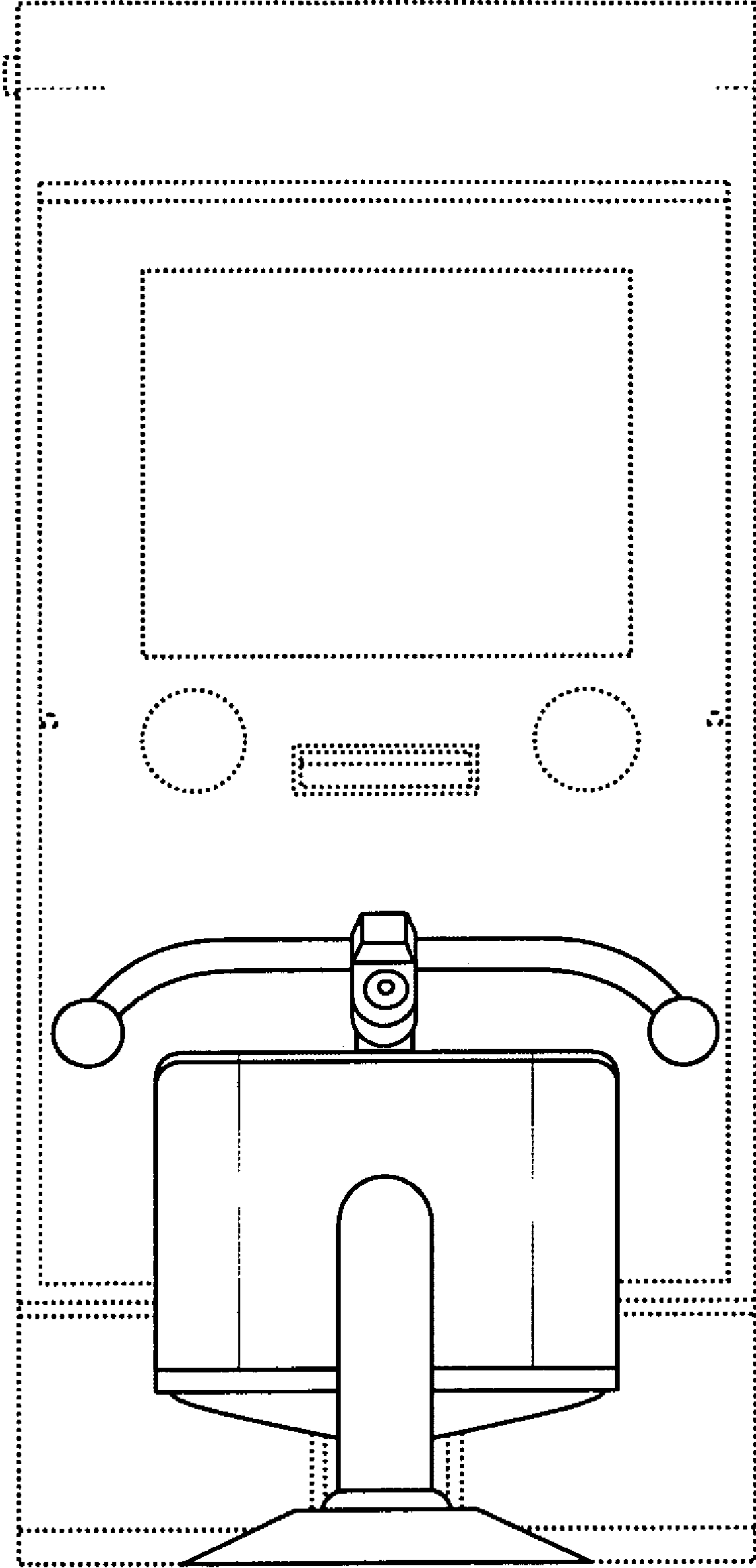


Fig. 2

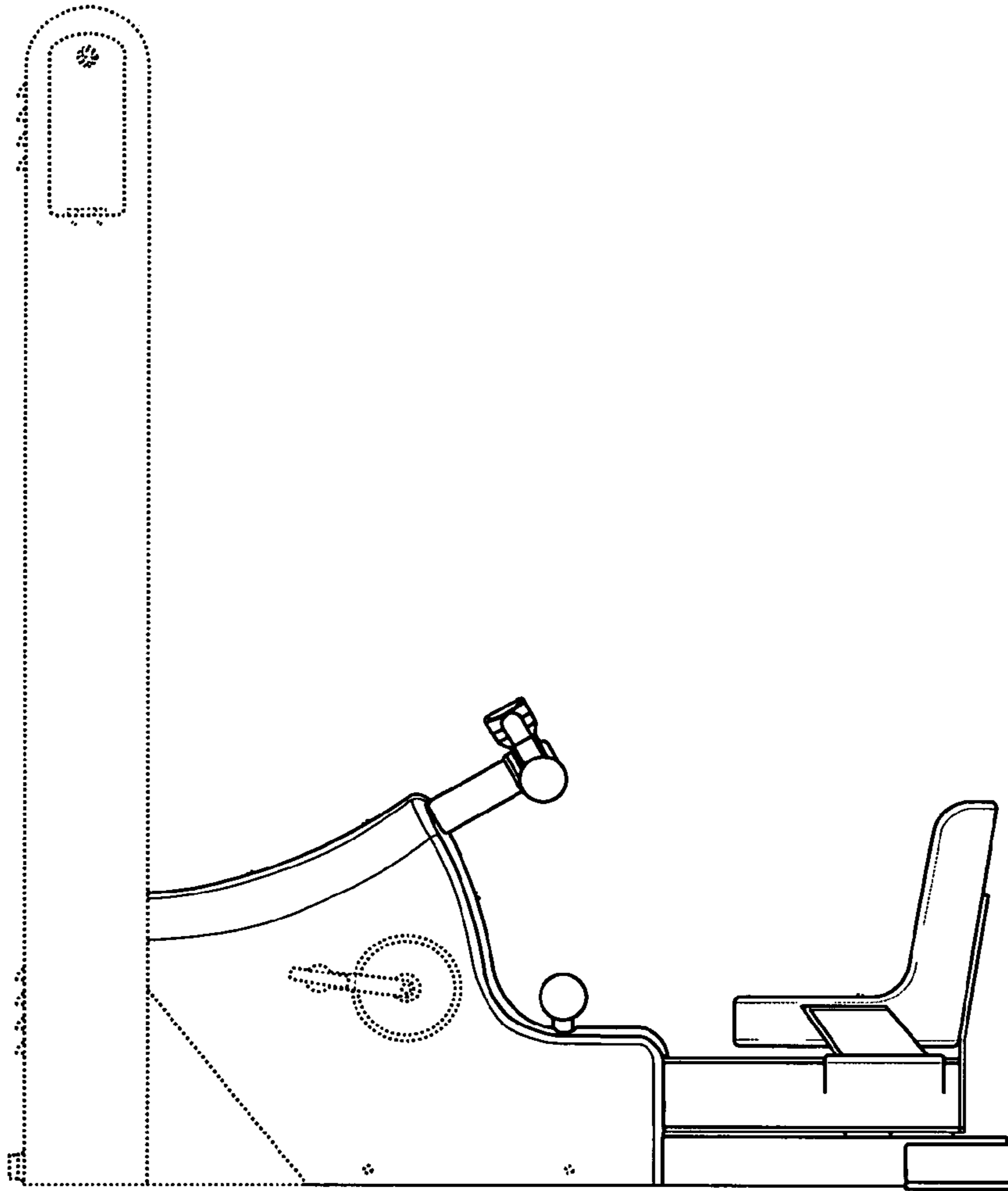


Fig. 3

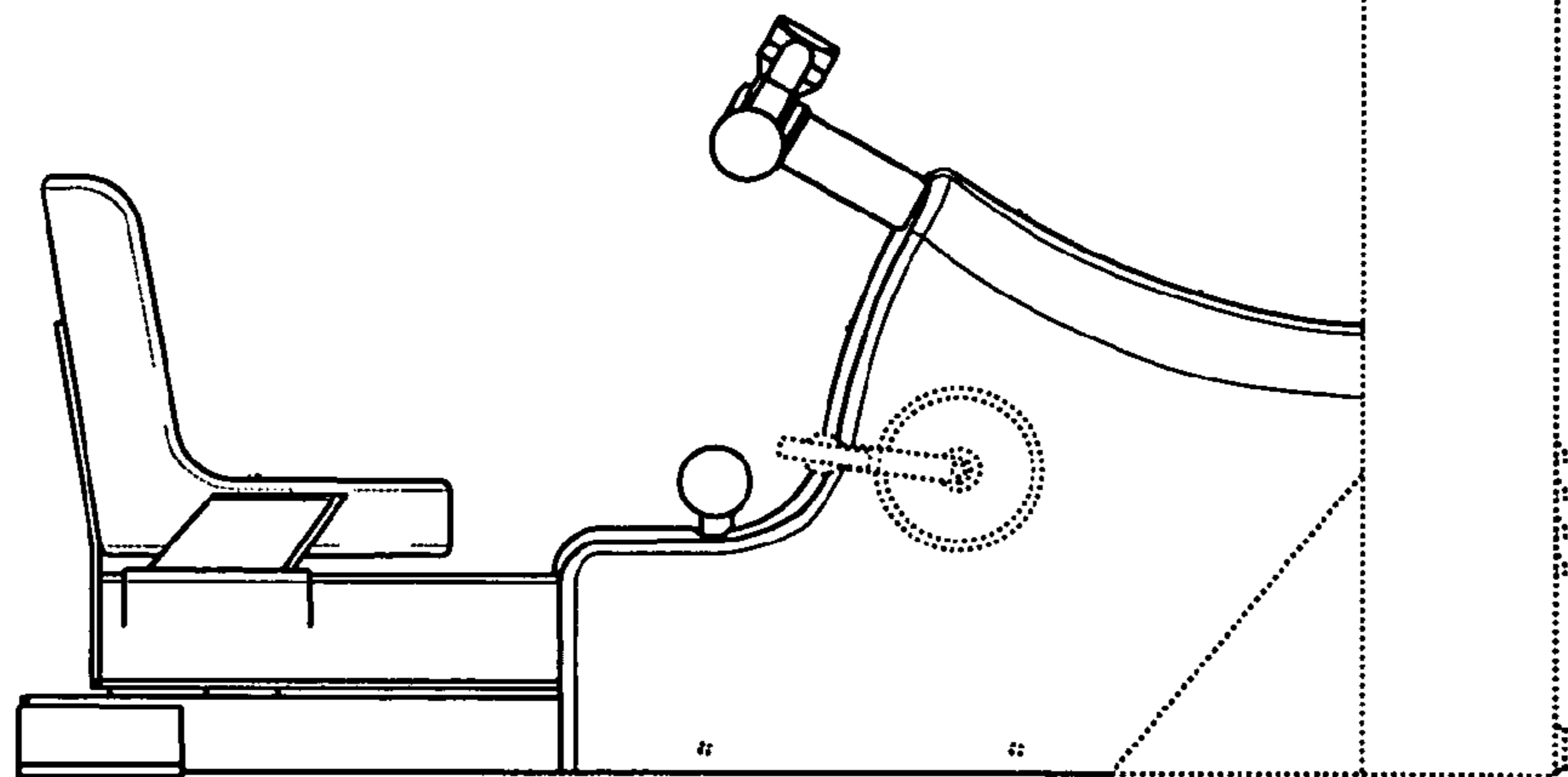


Fig. 4

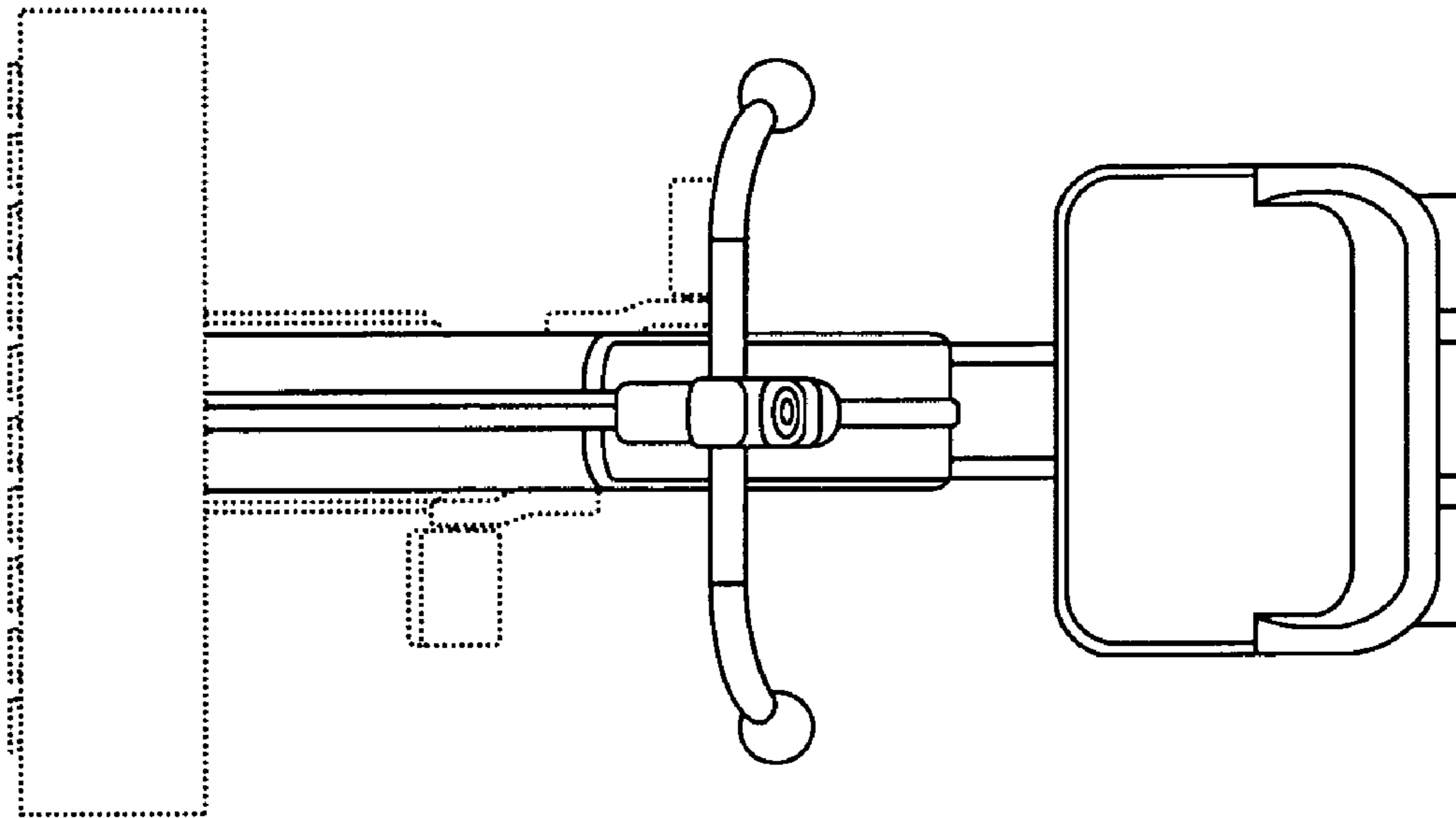


Fig. 5

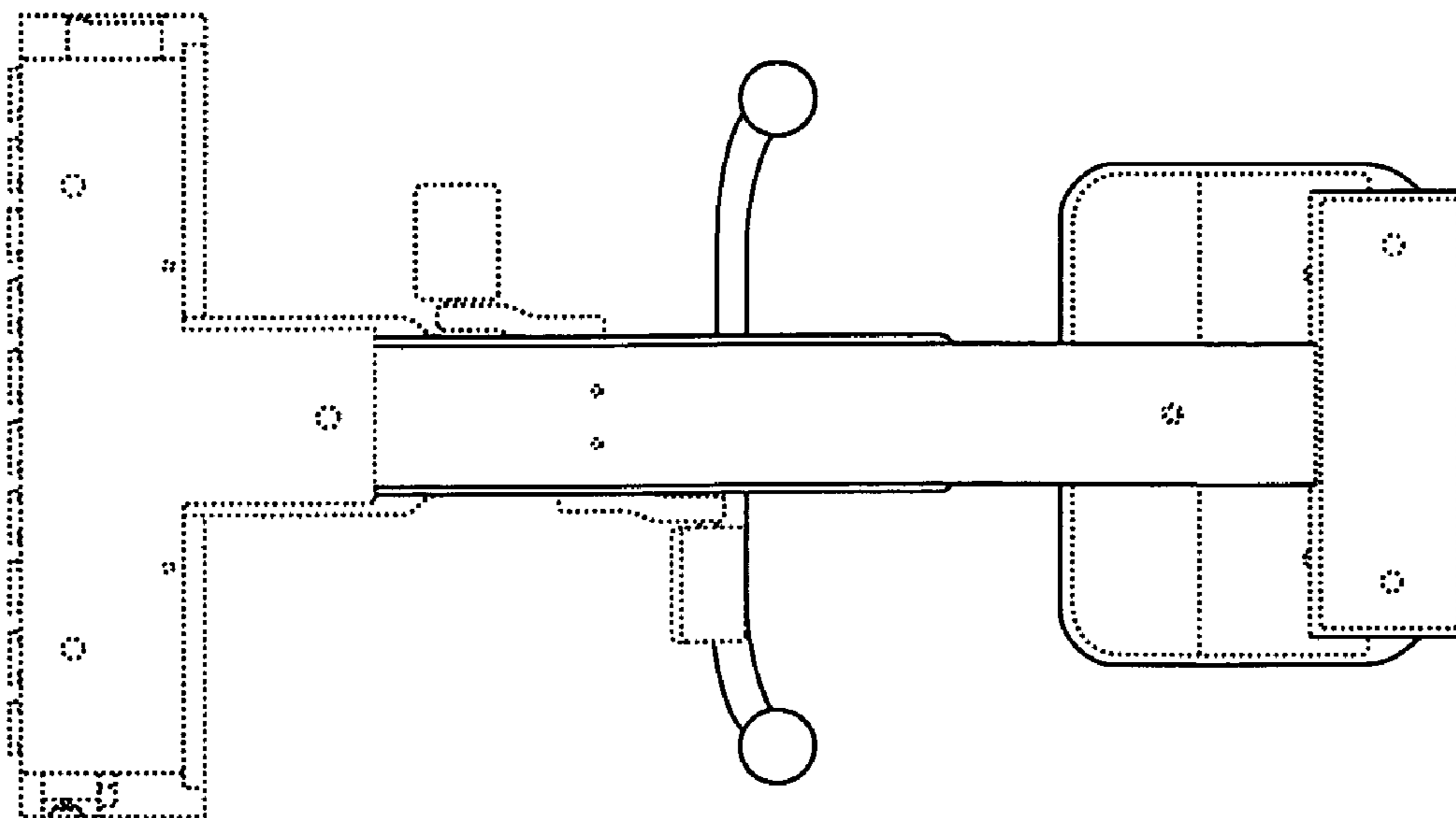


Fig. 6