



US00D612427S

(12) **United States Design Patent**  
**Soetewey**

(10) **Patent No.:** **US D612,427 S**  
(45) **Date of Patent:** **\*\* Mar. 23, 2010**

(54) **BALLPOINT PEN**

(75) Inventor: **Lode Soetewey**, Paris (FR)

(73) Assignee: **Kabushiki Kaisha Pilot Corporation**,  
Tokyo (JP)

(\*\*) Term: **14 Years**

(21) Appl. No.: **29/335,879**

(22) Filed: **Apr. 23, 2009**

(30) **Foreign Application Priority Data**

Oct. 24, 2008 (JP) ..... 2008-027312

(51) **LOC (9) Cl.** ..... **19-06**

(52) **U.S. Cl.** ..... **D19/48**

(58) **Field of Classification Search** ..... D19/35,  
D19/36, 41-51, 53-57; 24/11 F, 11 P, 11 R;  
401/52, 99, 100, 104-109, 192, 195, 196  
See application file for complete search history.

(56) **References Cited**

**U.S. PATENT DOCUMENTS**

D187,315 S \* 2/1960 Williams ..... D19/42  
D271,115 S \* 10/1983 Luntz ..... D19/47  
D277,682 S \* 2/1985 Luntz ..... D19/47  
D319,844 S \* 9/1991 Grotzsch et al. .... D19/48  
D391,292 S \* 2/1998 Kuo ..... D19/47

D498,493 S \* 11/2004 Togawa ..... D19/36  
D540,862 S \* 4/2007 Qiu ..... D19/43  
D546,881 S \* 7/2007 Qiu ..... D19/50  
D562,895 S \* 2/2008 Shibata ..... D19/50

\* cited by examiner

*Primary Examiner*—Elizabeth A Albert

(74) *Attorney, Agent, or Firm*—Sughrue Mion, PLLC

(57) **CLAIM**

The ornamental design for a ballpoint pen, as shown and described.

**DESCRIPTION**

FIG. 1 is a perspective view of the ballpoint pen according to the present invention;

FIG. 2 is a top view thereof;

FIG. 3 is a bottom view thereof;

FIG. 4 is a first end view thereof;

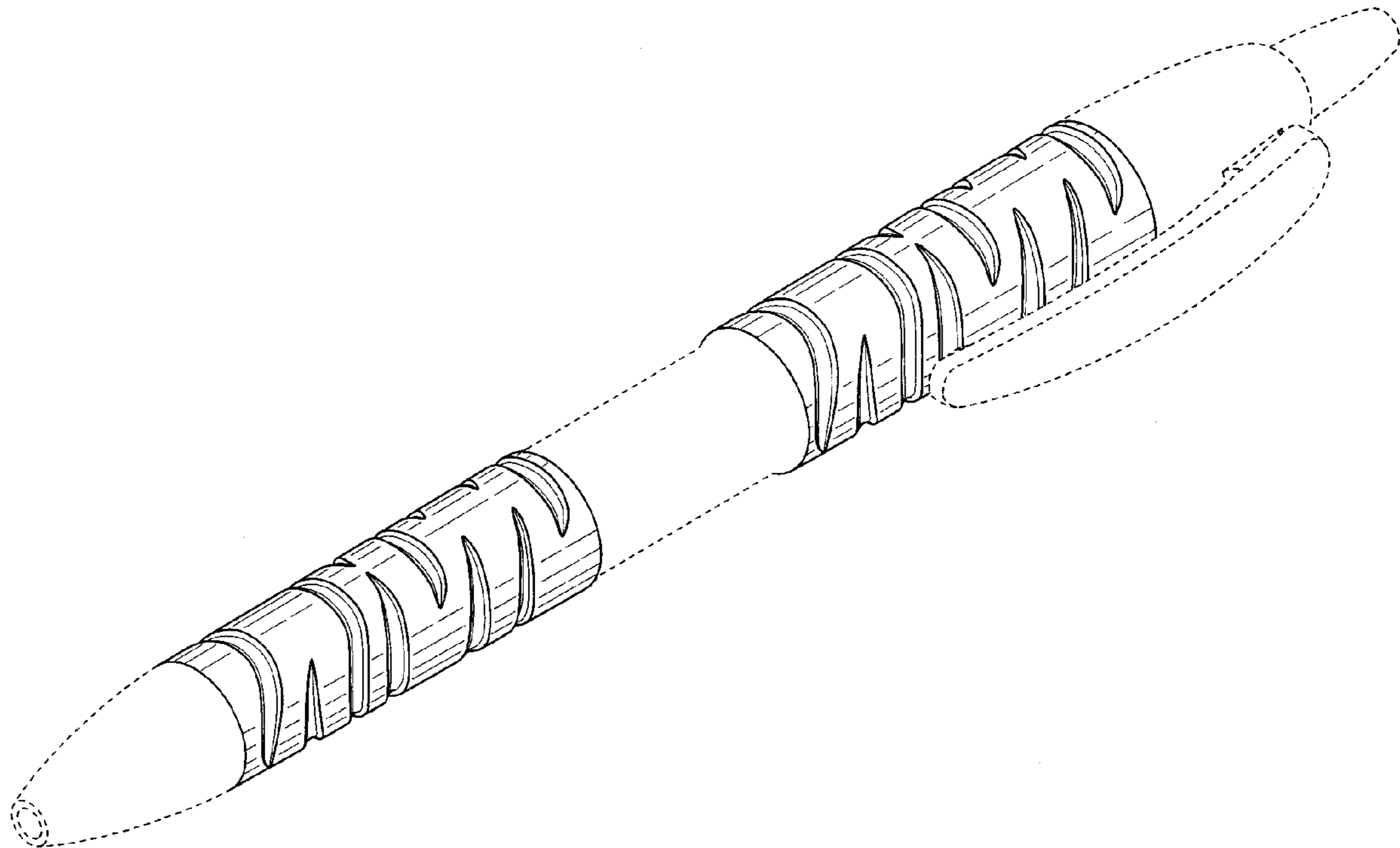
FIG. 5 is a second end view thereof;

FIG. 6 is a first side view thereof; and,

FIG. 7 is a second side view thereof.

The portions shown in broken lines in the drawing figures show environmental structure only, and form no part of the claimed design.

**1 Claim, 3 Drawing Sheets**



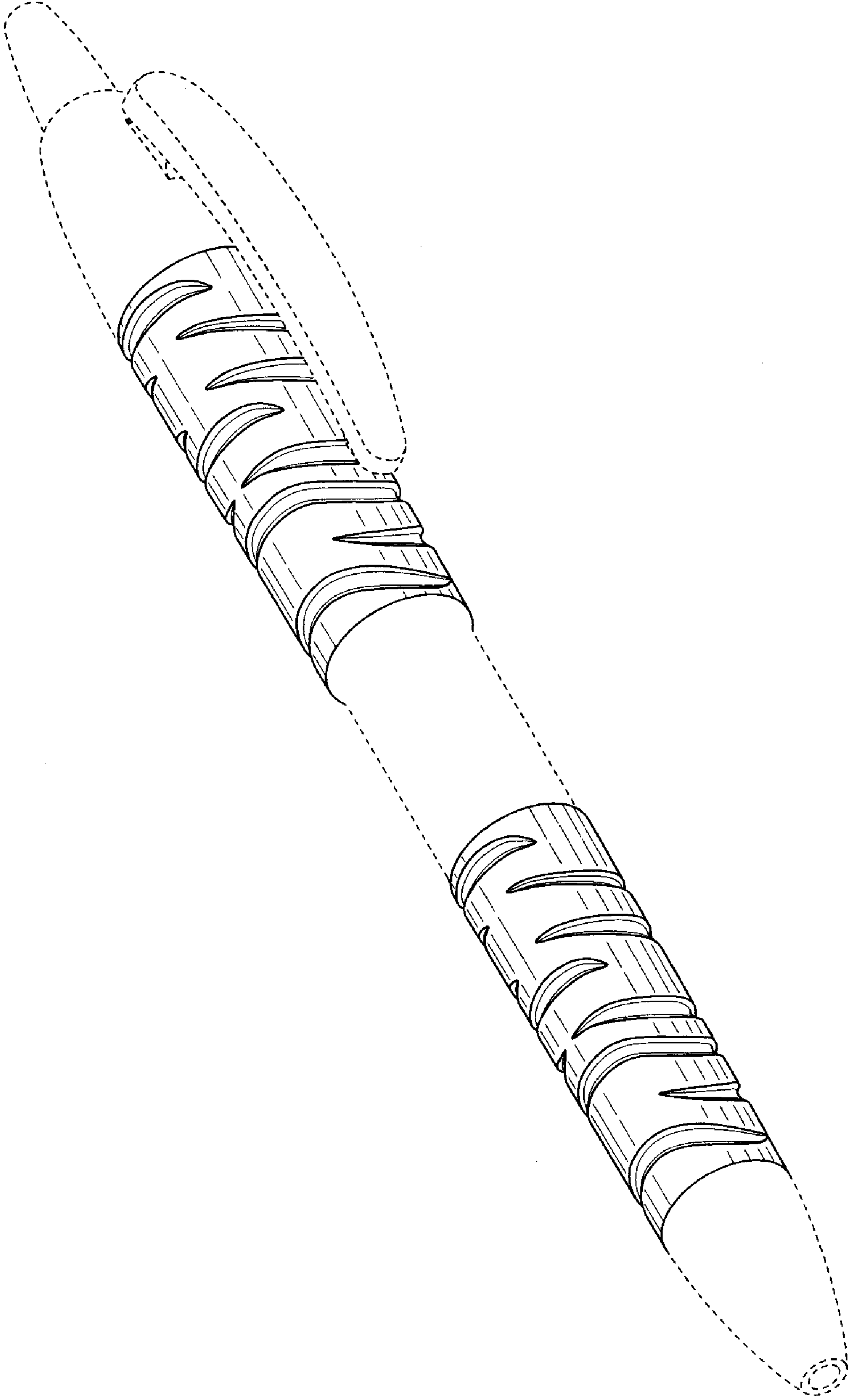


FIG. 1

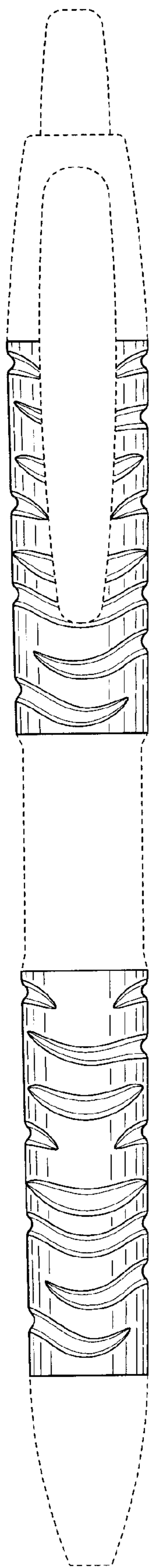


FIG. 2

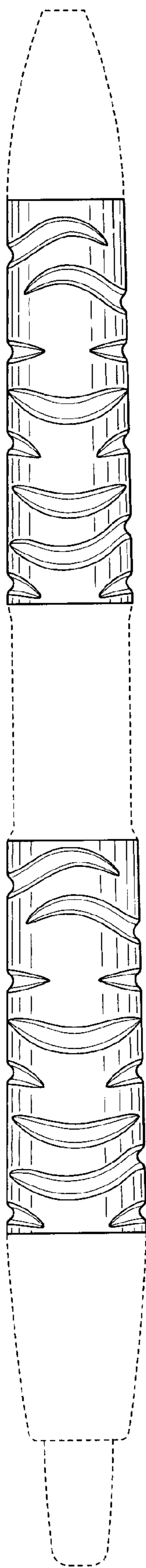


FIG. 3

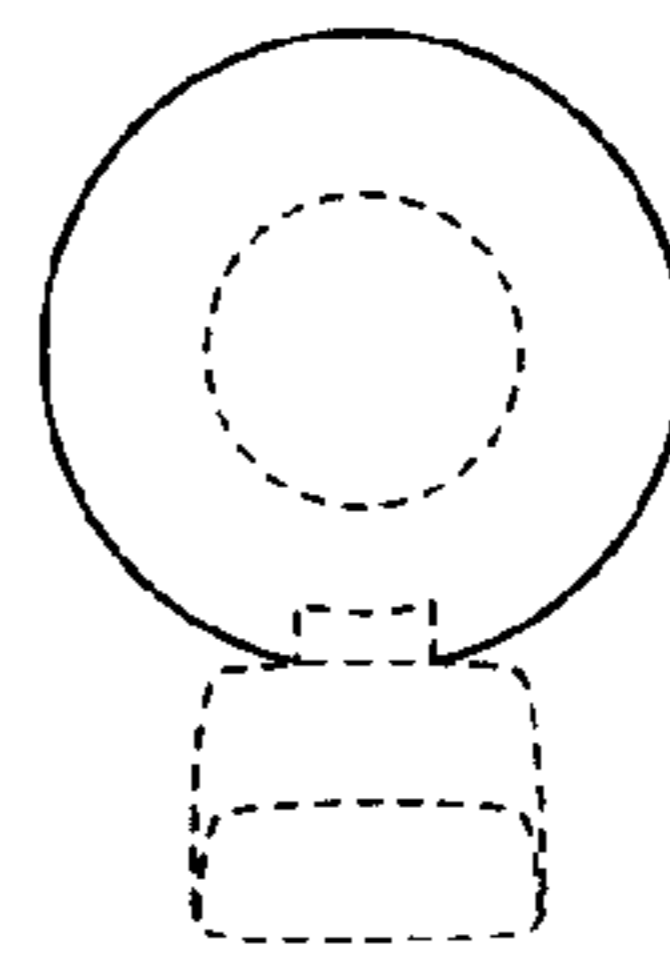


FIG. 5

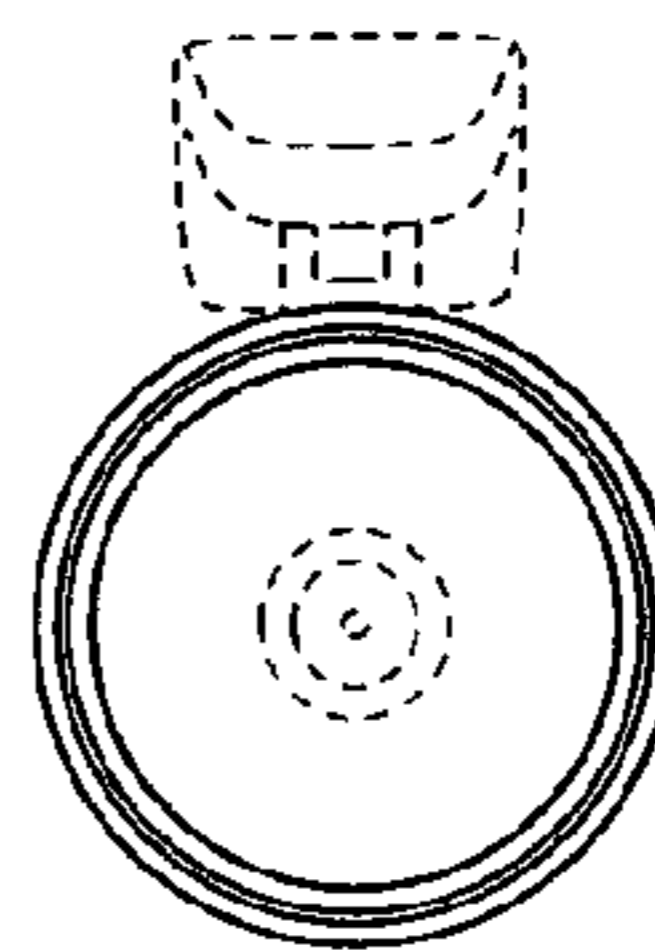


FIG. 4

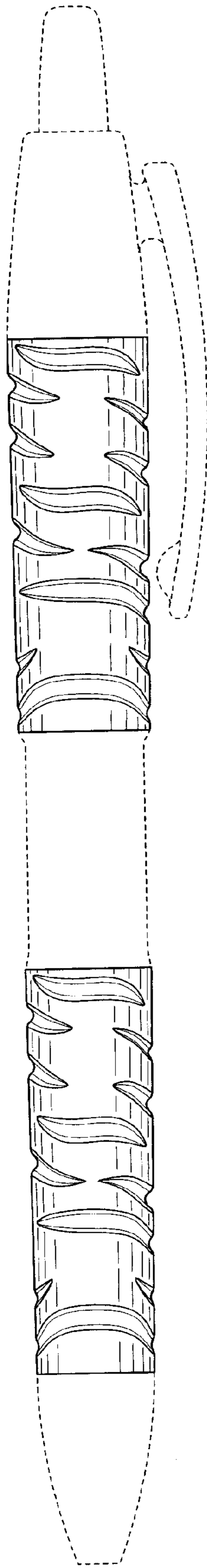


FIG. 6

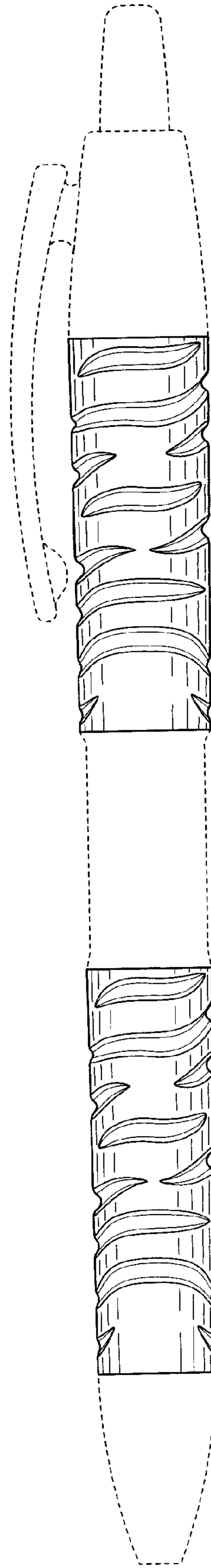


FIG. 7