



US00D612417S

(12) **United States Design Patent**
Harada

(10) **Patent No.:** **US D612,417 S**
(45) **Date of Patent:** **** Mar. 23, 2010**

- (54) **WASTE INK BOX FOR PRINTER**
- (75) Inventor: **Shuhei Harada**, Chino (JP)
- (73) Assignee: **Seiko Epson Corporation** (JP)
- (**) Term: **14 Years**
- (21) Appl. No.: **29/316,516**
- (22) Filed: **Oct. 5, 2009**

Related U.S. Application Data

- (62) Division of application No. 29/310,256, filed on Aug. 4, 2008.

Foreign Application Priority Data

- (30) Mar. 18, 2008 (JP) 2008-006636
- Mar. 18, 2008 (JP) 2008-006637
- Mar. 18, 2008 (JP) 2008-006640
- Mar. 18, 2008 (JP) 2008-006641
- Jun. 9, 2008 (JP) 2008-014615
- Jun. 9, 2008 (JP) 2008-014616

- (51) **LOC (9) Cl.** **18-02**
- (52) **U.S. Cl.** **D18/56**
- (58) **Field of Classification Search** D18/14,
D18/18, 40, 43, 50, 56-59, 99; 347/7, 20,
347/29, 30, 32, 33, 50, 62, 85-87, 92-94;
D9/417, 521, 533, 569, 573; D17/481
See application file for complete search history.

(56) **References Cited**

U.S. PATENT DOCUMENTS

- D331,939 S * 12/1992 Ujita D18/12
- D391,289 S * 2/1998 Inoue et al. D18/56
- D423,043 S * 4/2000 Ishigami et al. D18/56
- D425,110 S * 5/2000 Dietl et al. D18/56
- D464,672 S * 10/2002 Shinano et al. D18/56
- D467,964 S * 12/2002 Shinano et al. D18/56
- D477,020 S 7/2003 Seino
- D489,757 S * 5/2004 Matsumoto D18/56
- 6,799,829 B2 10/2004 Mah et al.

- D511,792 S * 11/2005 Shinada et al. D18/56
- D522,049 S 5/2006 Ishizawa et al.
- D524,855 S * 7/2006 Ishizawa et al. D18/56
- D528,598 S 9/2006 Ishizawa et al.
- D529,954 S 10/2006 Matsumoto
- D534,581 S 1/2007 Ikezaki et al.
- D536,374 S 2/2007 Shinada et al.
- D538,338 S * 3/2007 Matsumoto D18/56
- D541,336 S 4/2007 Hattori
- D541,851 S 5/2007 Hattori et al.
- D569,422 S 5/2008 Matsumoto
- D573,180 S 7/2008 Yoshino
- D579,491 S * 10/2008 Matsumoto D18/56
- D579,492 S 10/2008 Matsumoto
- D580,107 S * 11/2008 Ishizawa et al. D18/56

(Continued)

Primary Examiner—Philip S Hyder
Assistant Examiner—Susan E Krakower
(74) *Attorney, Agent, or Firm*—Harness, Dickey & Pierce, P.L.C.

(57) **CLAIM**

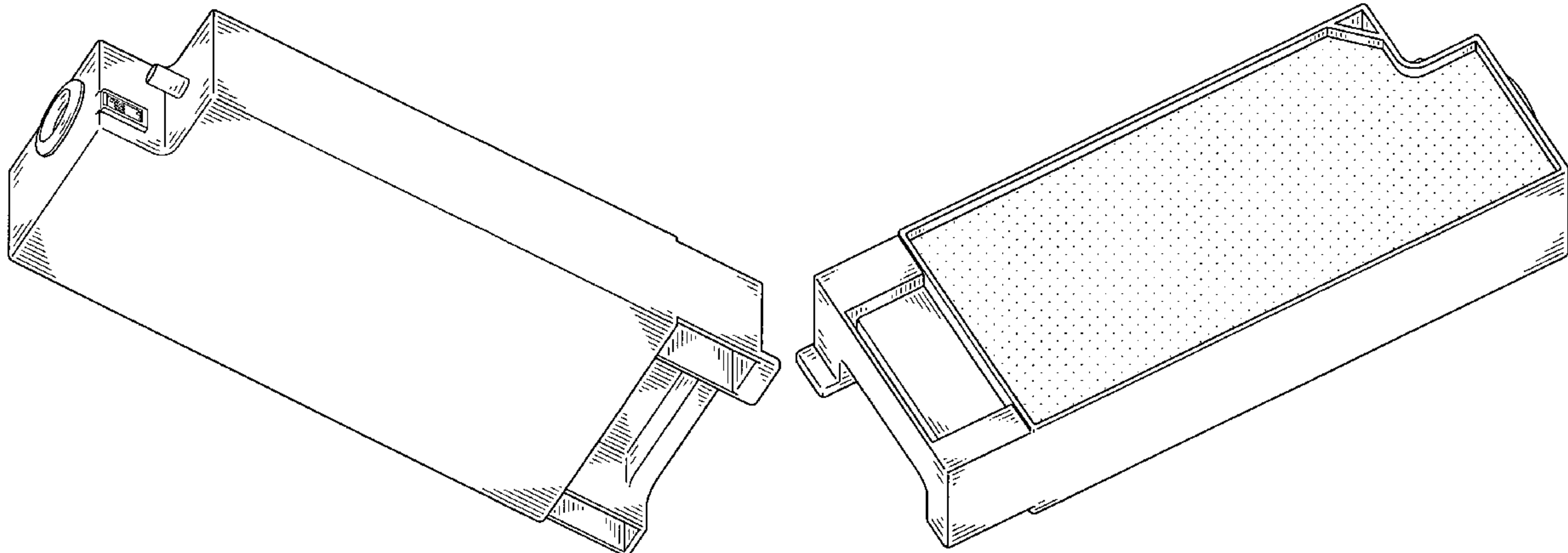
The ornamental design for a waste ink box for printer, as shown and described.

DESCRIPTION

FIG. 1 is a perspective view of a waste ink box for printer as viewed from the front bottom and right side thereof showing my new design;
FIG. 2 is a perspective view thereof, as viewed from the rear, top and left side thereof;
FIG. 3 is a right side view thereof;
FIG. 4 is a left side view thereof;
FIG. 5 is a front view thereof;
FIG. 6 is a rear view thereof;
FIG. 7 is a top view thereof; and,
FIG. 8 is a bottom view thereof.

The stippling represents a contrast of material or color.

1 Claim, 3 Drawing Sheets



US D612,417 S

Page 2

U.S. PATENT DOCUMENTS

D584,351 S	1/2009	Nip		D600,278 S *	9/2009	Hattori	D18/56
D584,768 S *	1/2009	Ishizawa	D603,895 S *	11/2009	Hattori	D18/56
D585,090 S *	1/2009	Ishizawa	2005/0001888 A1 *	1/2005	Seino et al.	347/86
D585,091 S *	1/2009	Matsumoto	2007/0132820 A1 *	6/2007	Sato	347/86
D586,850 S	2/2009	Matsumoto		2008/0024573 A1 *	1/2008	Sugiyama et al.	347/86
D587,748 S	3/2009	Anderson et al.		2008/0030558 A1 *	2/2008	Seino et al.	347/86
D591,791 S	5/2009	Matsumoto		2008/0094429 A1 *	4/2008	Miyazawa et al.	347/7
D598,050 S *	8/2009	Nozawa	2008/0129805 A1 *	6/2008	Yano	347/86
				2008/0158316 A1 *	7/2008	Uchino	347/86

* cited by examiner

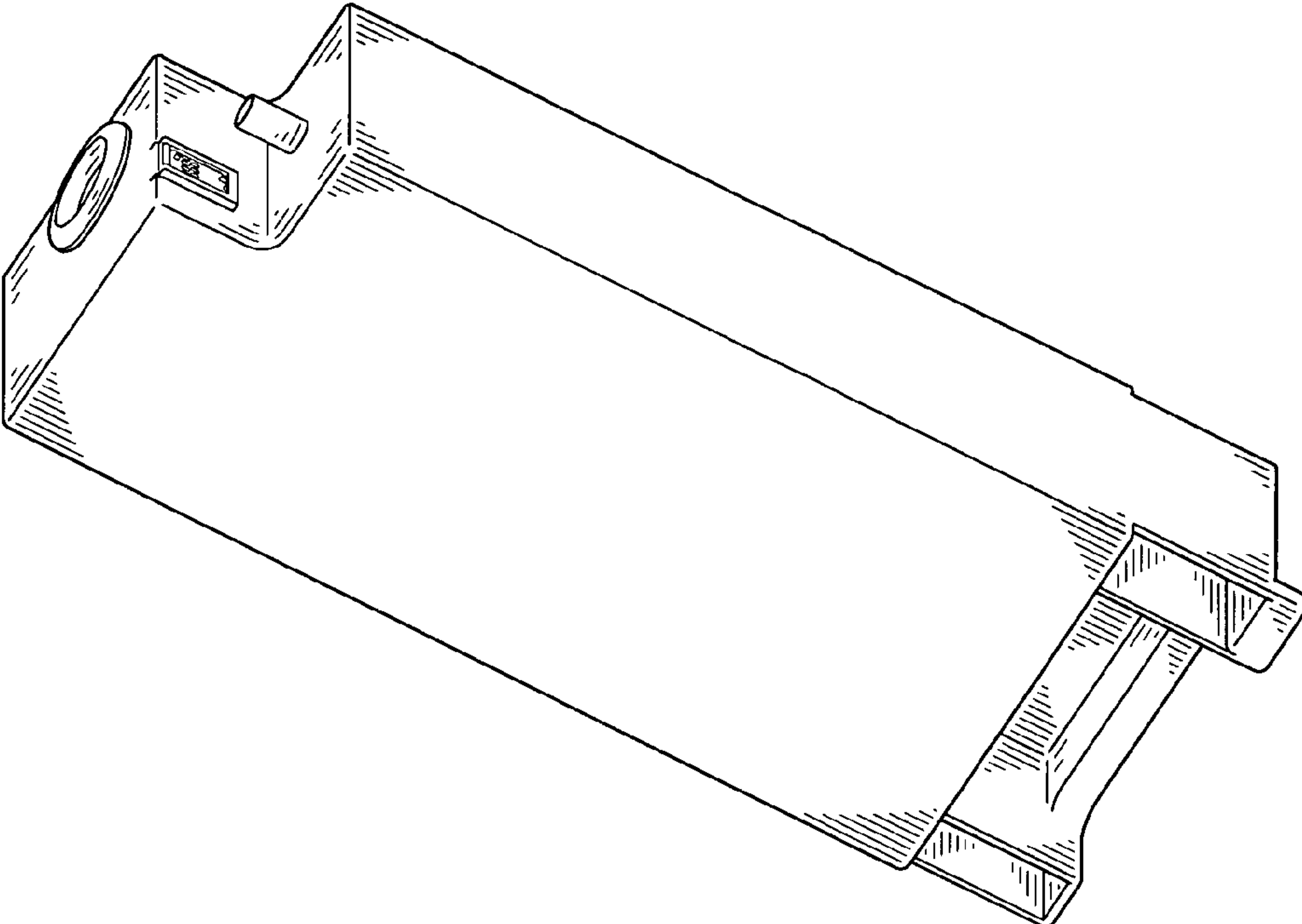


FIG. 1

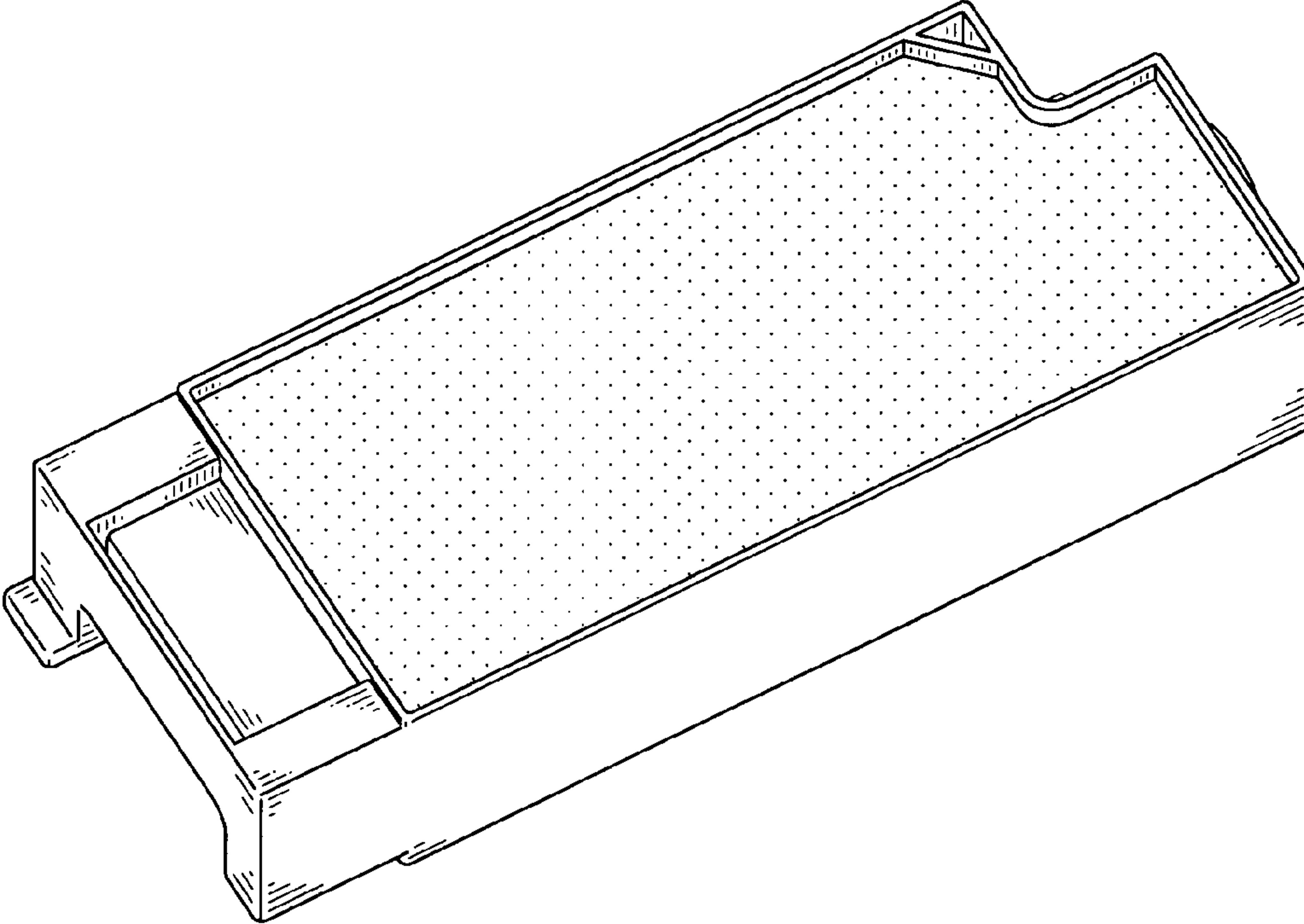


FIG. 2

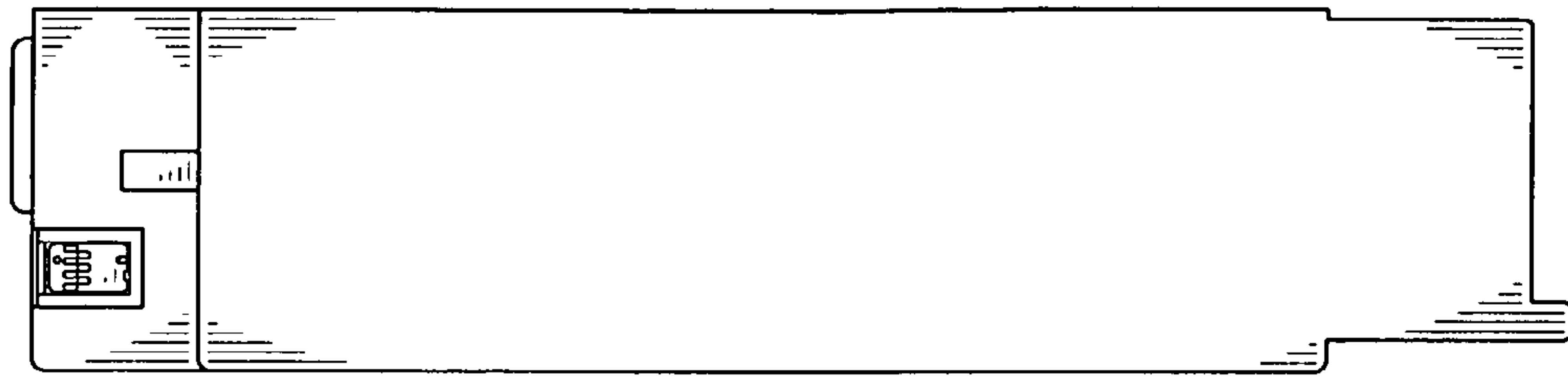


FIG. 3

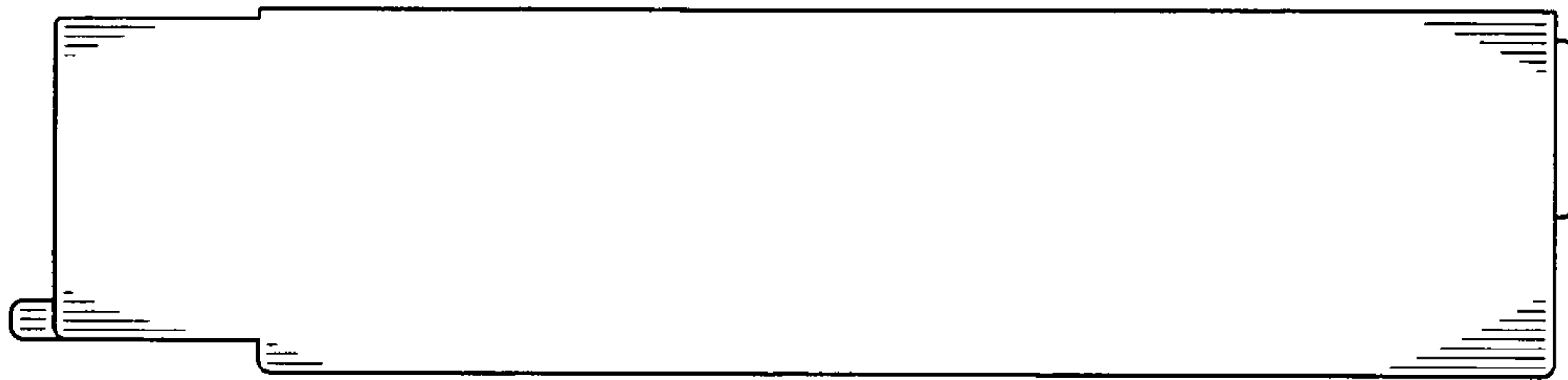


FIG. 4

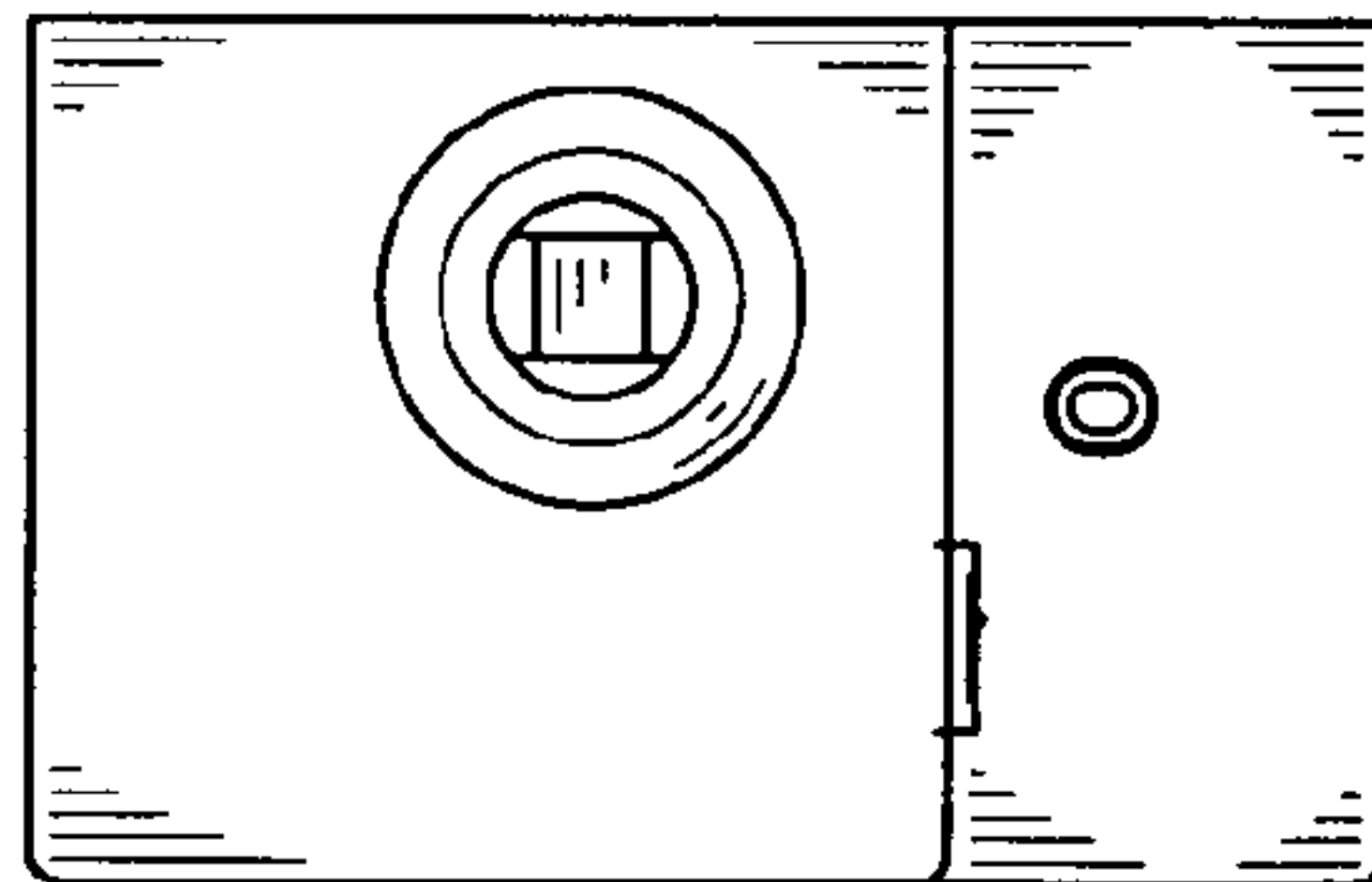


FIG. 5

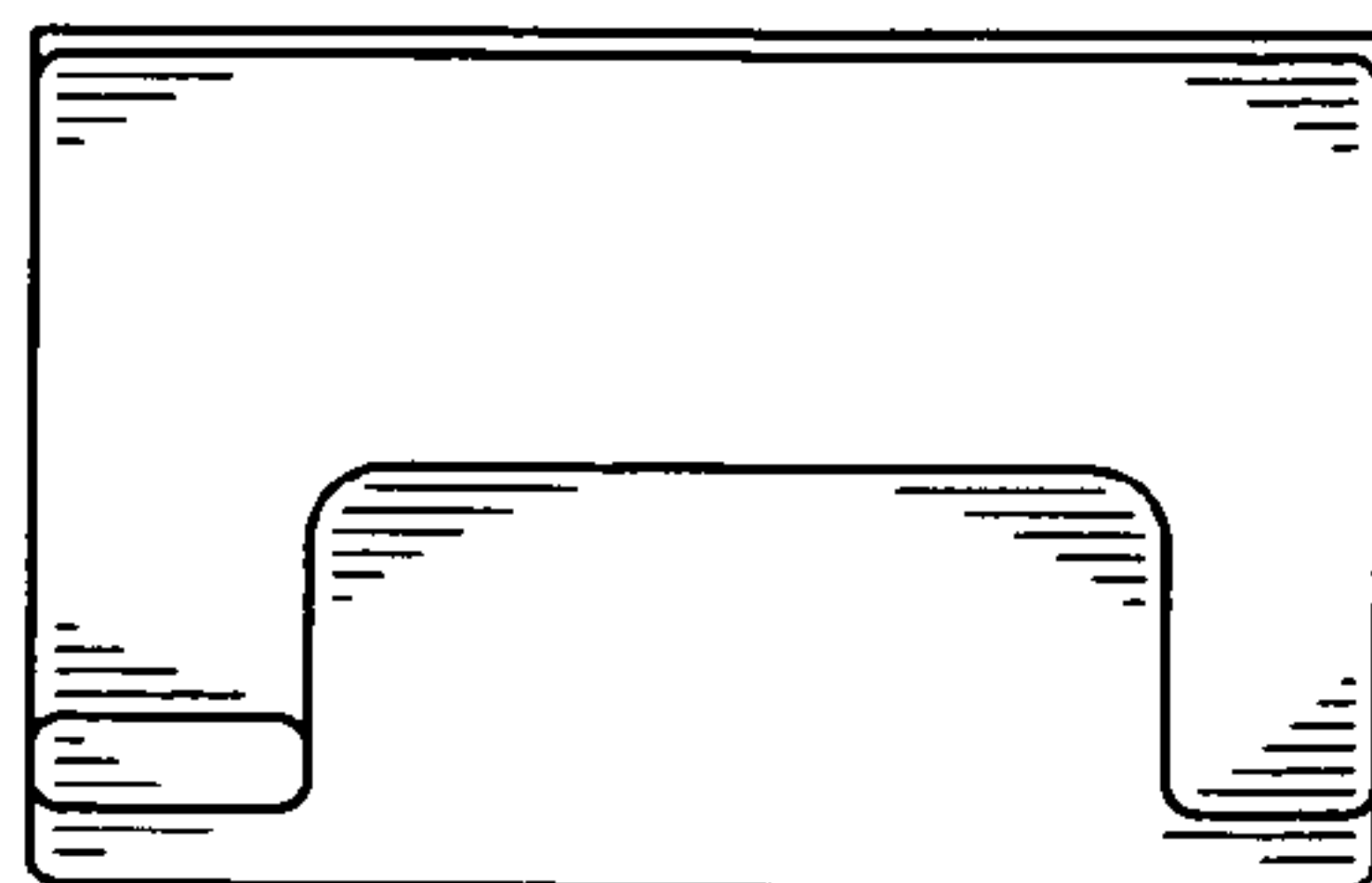


FIG. 6

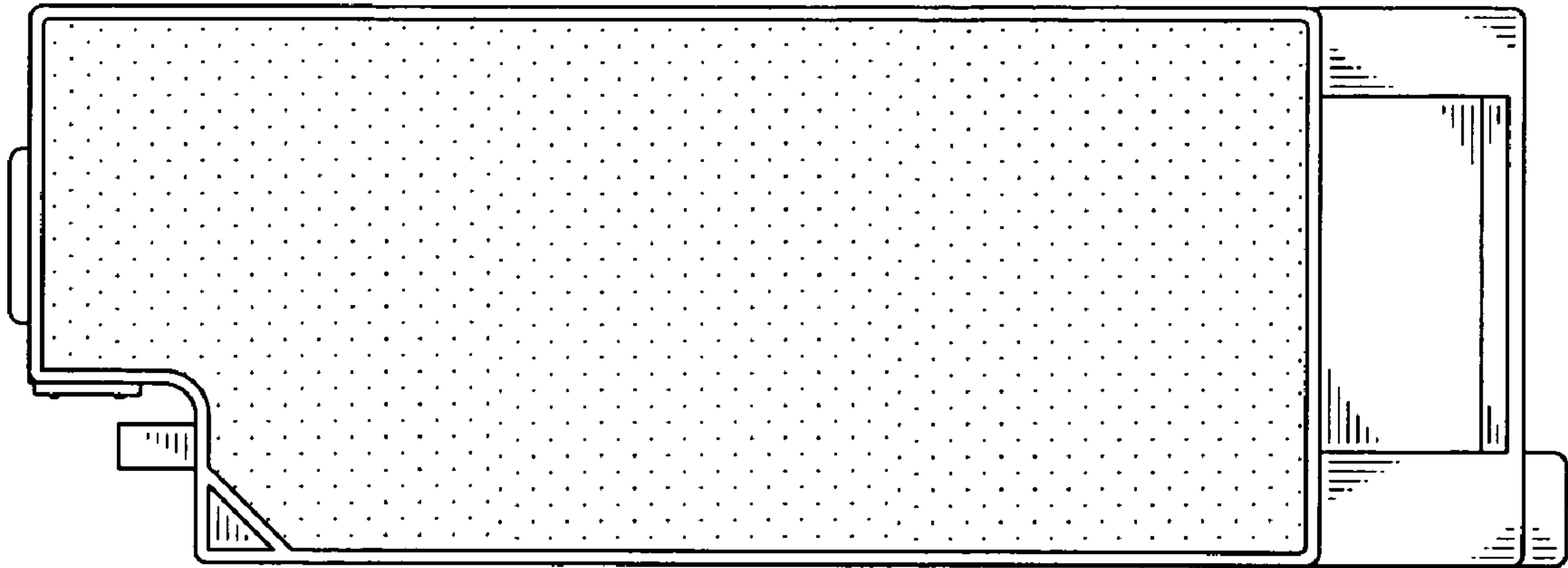


FIG. 7

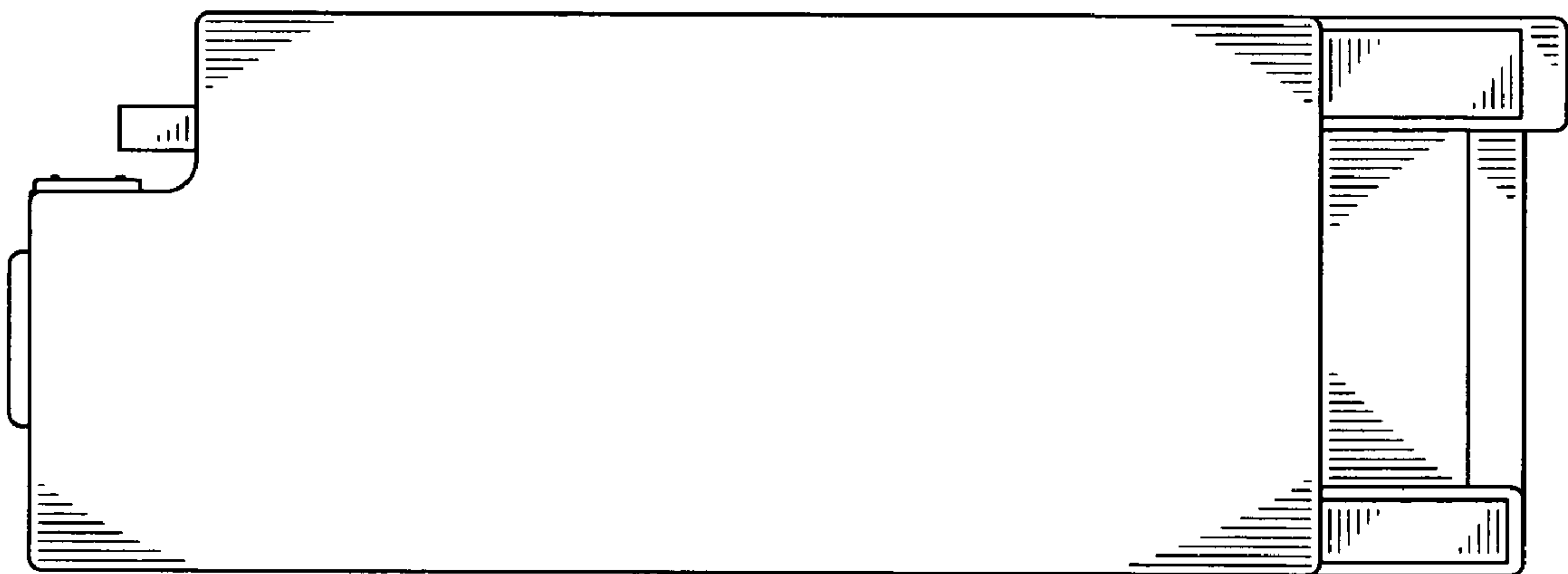


FIG. 8