



US00D612416S

(12) **United States Design Patent**  
**Harada**

(10) **Patent No.:** **US D612,416 S**  
(45) **Date of Patent:** **\*\* Mar. 23, 2010**

(54) **WASTE INK BOX FOR PRINTER**

(75) Inventor: **Shuhei Harada**, Chino (JP)

(73) Assignee: **Seiko Epson Corporation** (JP)

(\*\*) Term: **14 Years**

(21) Appl. No.: **29/316,515**

(22) Filed: **Oct. 5, 2009**

**Related U.S. Application Data**

(62) Division of application No. 29/310,256, filed on Aug. 4, 2008.

**Foreign Application Priority Data**

Mar. 18, 2008	(JP)	.....	2008-006636
Mar. 18, 2008	(JP)	.....	2008-006637
Mar. 18, 2008	(JP)	.....	2008-006640
Mar. 18, 2008	(JP)	.....	2008-006641
Jun. 9, 2008	(JP)	.....	2008-014615
Jun. 9, 2008	(JP)	.....	2008-014616

(51) **LOC (9) Cl.** ..... **18-02**

(52) **U.S. Cl.** ..... **D18/56**

(58) **Field of Classification Search** ..... D18/14,  
D18/18, 40, 43, 50, 56-59, 99; 347/7, 20,  
347/29, 30, 32, 33, 50, 62, 85-87, 92-94;  
D9/417, 521, 533, 569, 573; D17/481  
See application file for complete search history.

(56) **References Cited**

**U.S. PATENT DOCUMENTS**

D331,939 S	*	12/1992	Ujita	.....	D18/12
D391,289 S	*	2/1998	Inoue et al.	.....	D18/56
D423,043 S	*	4/2000	Ishigami et al.	.....	D18/56
D425,110 S	*	5/2000	Dietl et al.	.....	D18/56
D464,672 S	*	10/2002	Shinano et al.	.....	D18/56
D467,964 S	*	12/2002	Shinano et al.	.....	D18/56
D477,020 S		7/2003	Seino		
D489,757 S	*	5/2004	Matsumoto	.....	D18/56
6,799,829 B2		10/2004	Mah et al.		

D511,792 S	*	11/2005	Shinada et al.	.....	D18/56
D522,049 S		5/2006	Ishizawa et al.		
D524,855 S	*	7/2006	Ishizawa et al.	.....	D18/56
D528,598 S		9/2006	Ishizawa et al.		
D529,954 S		10/2006	Matsumoto		
D534,581 S		1/2007	Ikezaki et al.		
D536,374 S		2/2007	Shinada et al.		
D538,338 S	*	3/2007	Matsumoto	.....	D18/56
D541,336 S		4/2007	Hattori		
D541,851 S		5/2007	Hattori et al.		
D569,422 S		5/2008	Matsumoto		
D573,180 S		7/2008	Yoshino		
D579,491 S	*	10/2008	Matsumoto	.....	D18/56
D579,492 S		10/2008	Matsumoto		
D580,107 S	*	11/2008	Ishizawa et al.	.....	D18/56

(Continued)

*Primary Examiner*—Philip S Hyder

*Assistant Examiner*—Susan E Krakower

(74) *Attorney, Agent, or Firm*—Harness, Dickey & Pierce, P.L.C.

(57) **CLAIM**

The ornamental design for a waste ink box for printer, as shown and described.

**DESCRIPTION**

FIG. 1 is a perspective view of a waste ink box for printer as viewed from the front bottom and right side thereof showing my new design;

FIG. 2 is a perspective view thereof, as viewed from the rear, top and left side thereof;

FIG. 3 is a right side view thereof;

FIG. 4 is a left side view thereof;

FIG. 5 is a front view thereof;

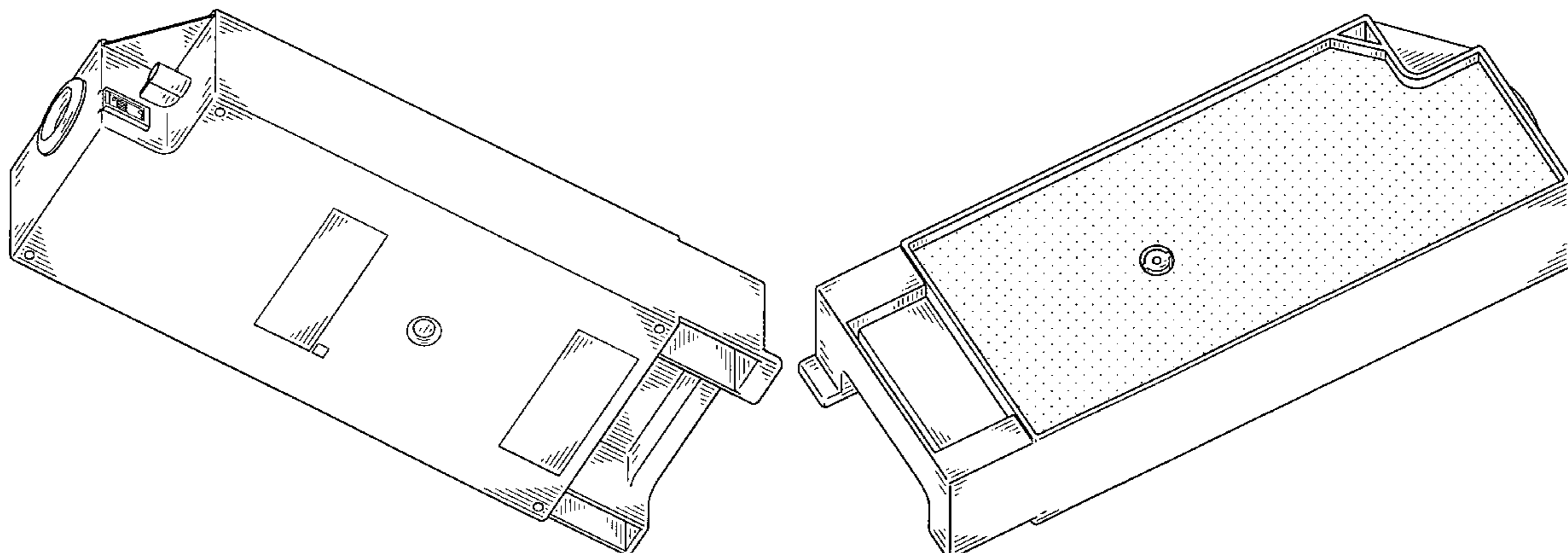
FIG. 6 is a rear view thereof;

FIG. 7 is a top view thereof; and,

FIG. 8 is a bottom view thereof.

The stippling represents a contrast of material or color.

**1 Claim, 3 Drawing Sheets**



# US D612,416 S

Page 2

---

## U.S. PATENT DOCUMENTS

D584,351 S	1/2009	Nip		D600,278 S *	9/2009	Hattori	.....	D18/56
D584,768 S *	1/2009	Ishizawa	.....	D603,895 S *	11/2009	Hattori	.....	D18/56
D585,090 S *	1/2009	Ishizawa	.....	2005/0001888 A1 *	1/2005	Seino et al.	.....	347/86
D585,091 S *	1/2009	Matsumoto	.....	2007/0132820 A1 *	6/2007	Sato	.....	347/86
D586,850 S	2/2009	Matsumoto		2008/0024573 A1 *	1/2008	Sugiyama et al.	.....	347/86
D587,748 S	3/2009	Anderson et al.		2008/0030558 A1 *	2/2008	Seino et al.	.....	347/86
D591,791 S	5/2009	Matsumoto		2008/0094429 A1 *	4/2008	Miyazawa et al.	.....	347/7
D598,050 S *	8/2009	Nozawa	.....	2008/0129805 A1 *	6/2008	Yano	.....	347/86
				2008/0158316 A1 *	7/2008	Uchino	.....	347/86

\* cited by examiner

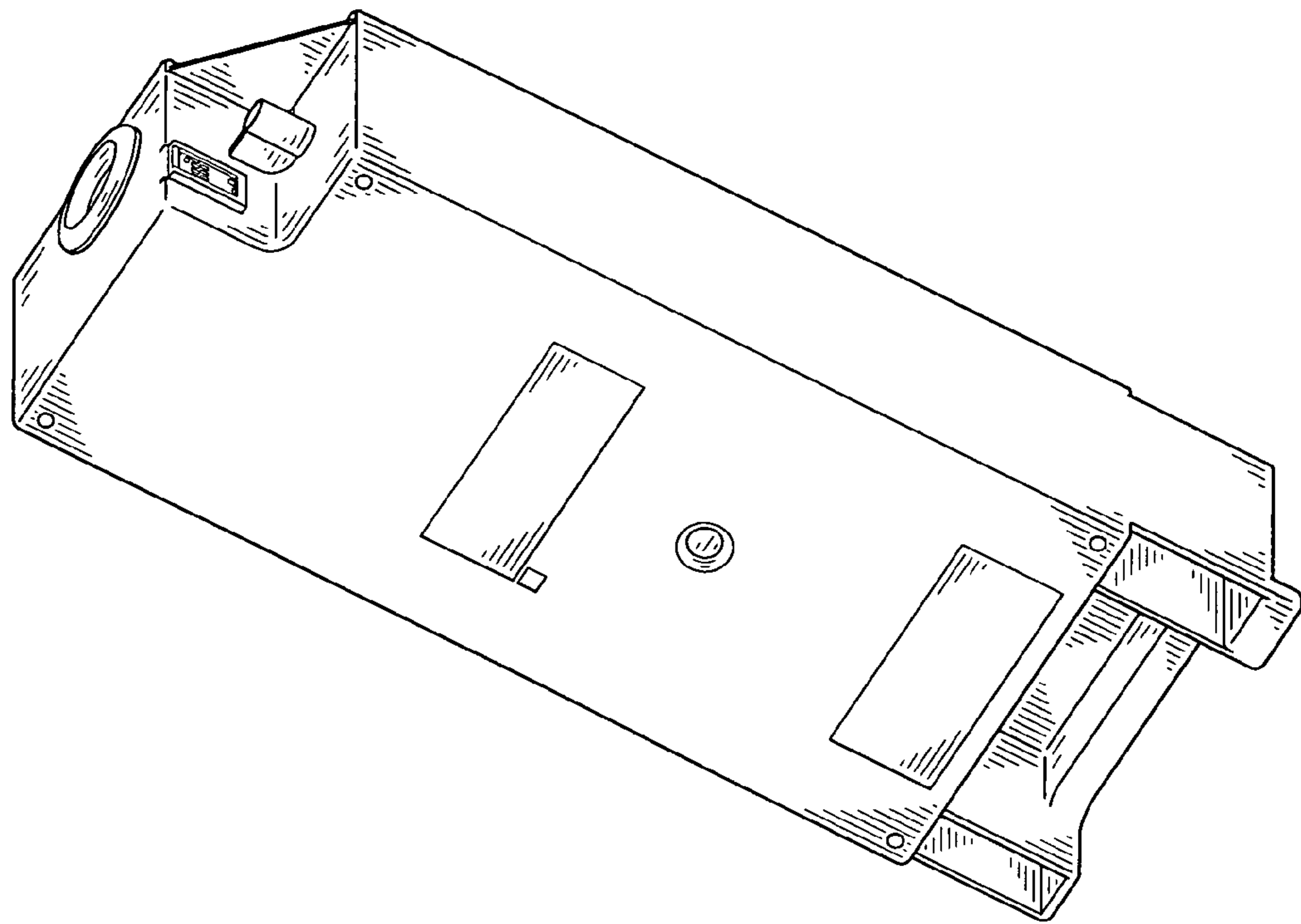


FIG. 1

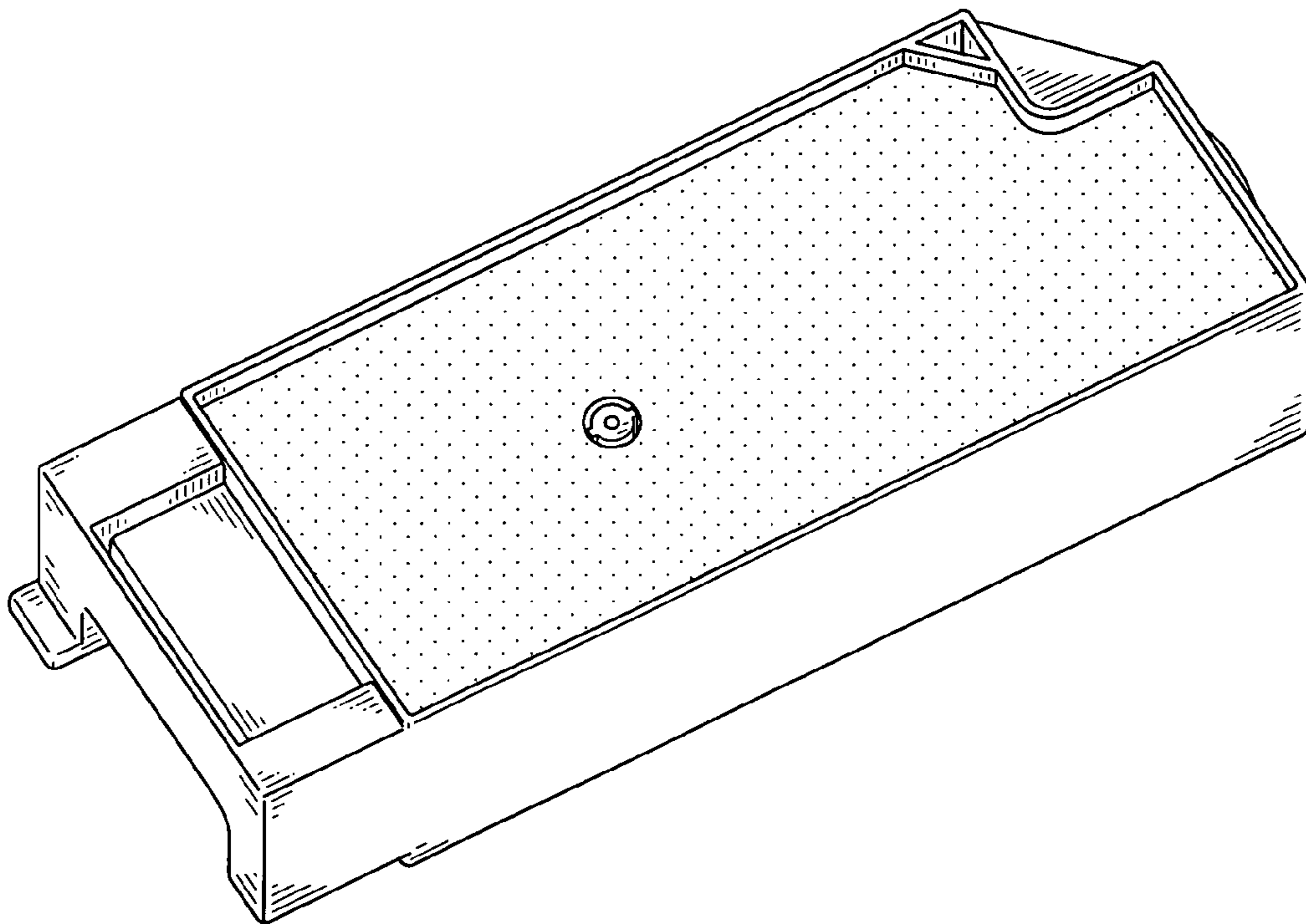


FIG. 2

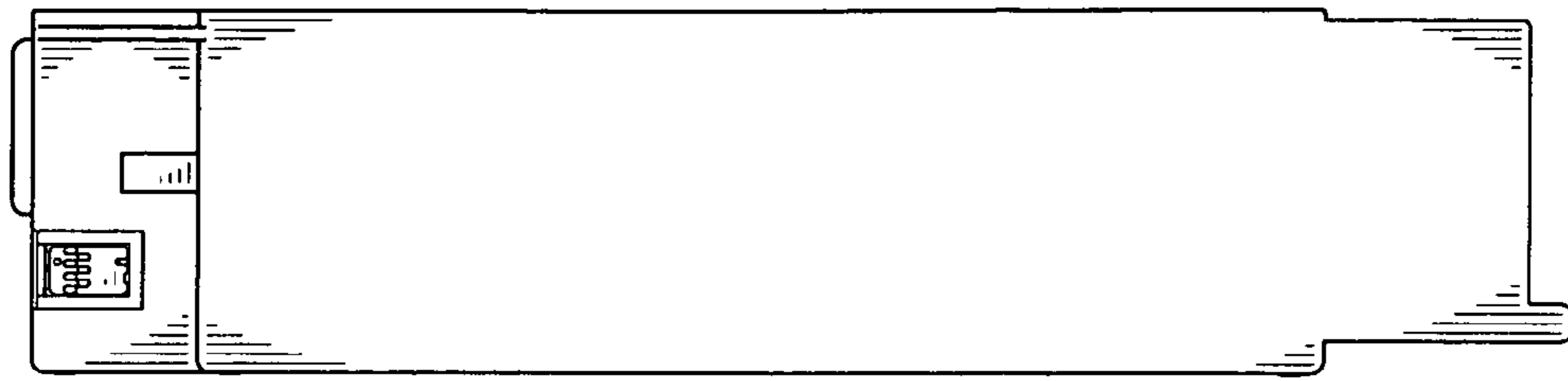


FIG. 3

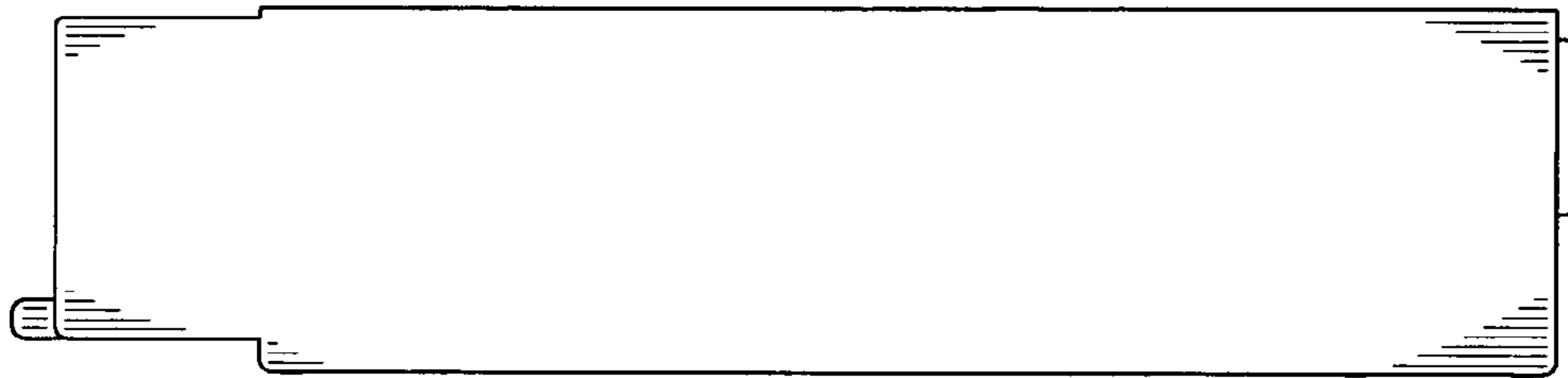


FIG. 4

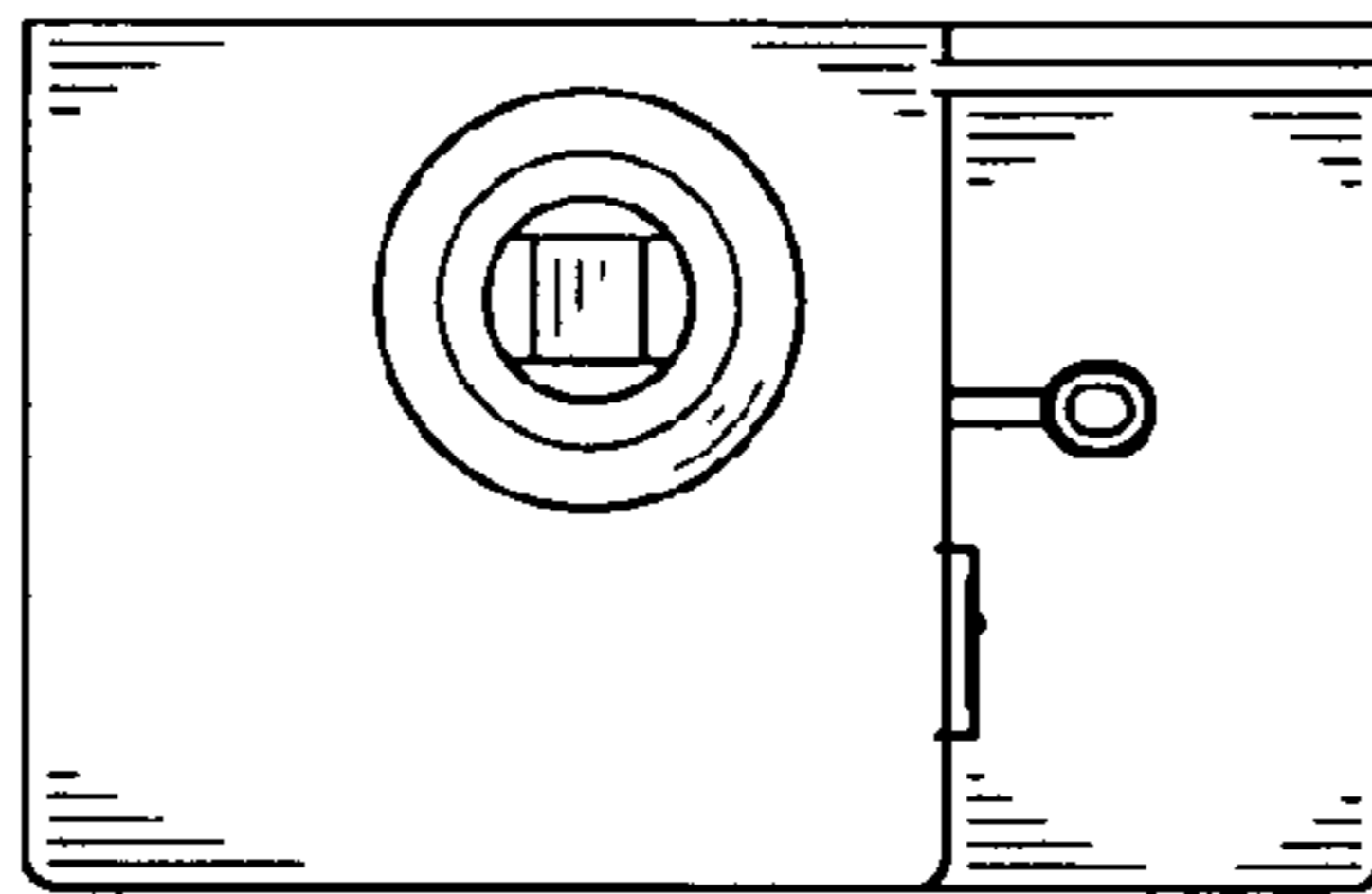


FIG. 5

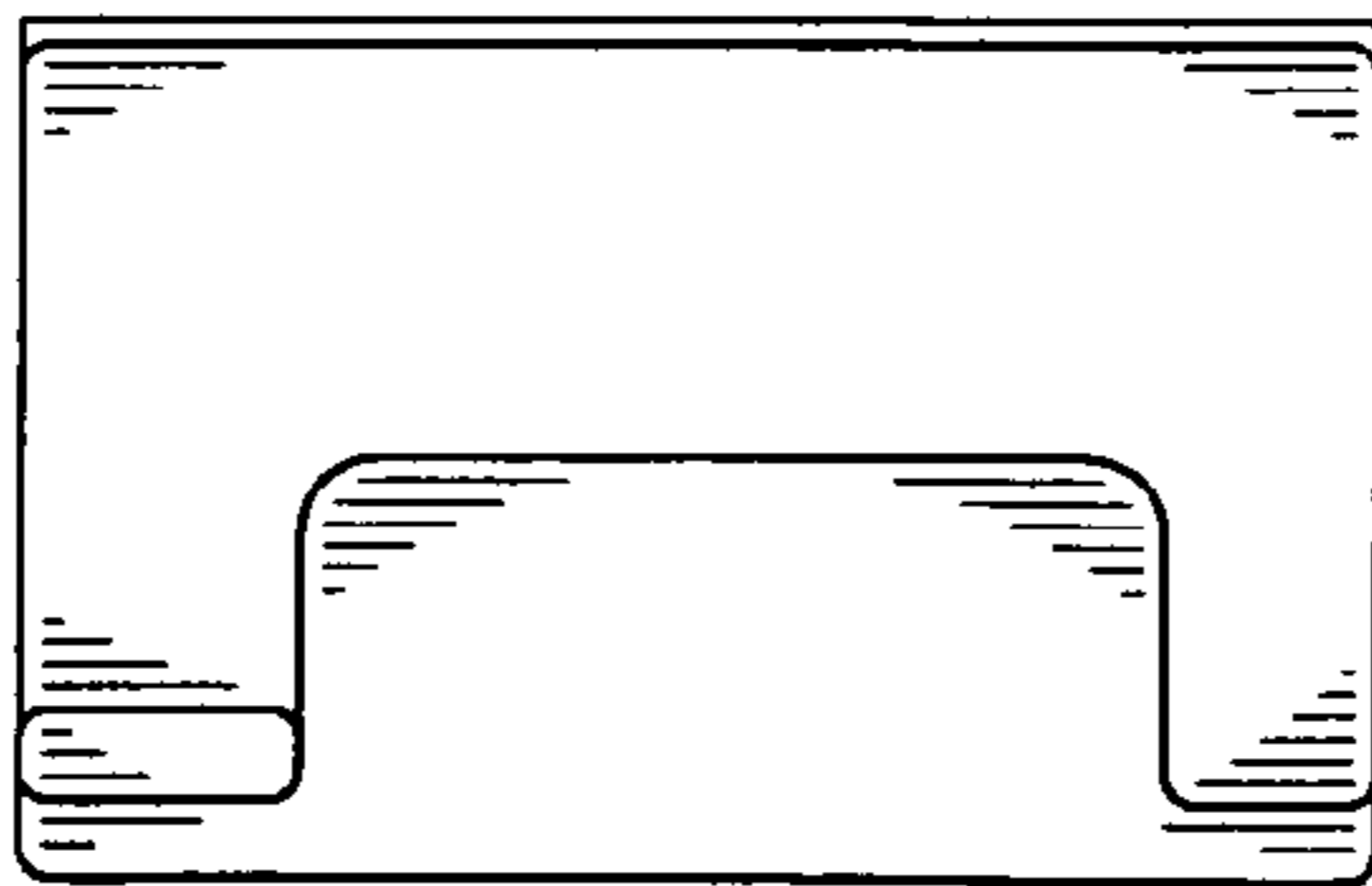


FIG. 6

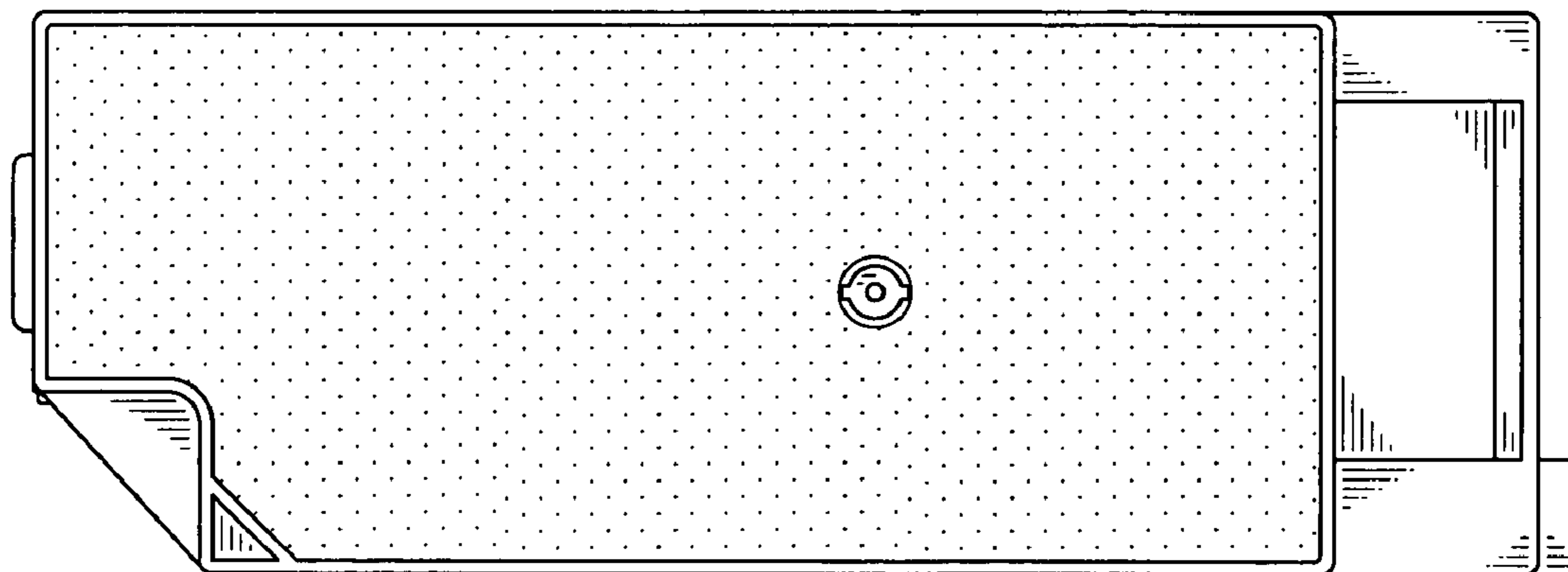


FIG. 7

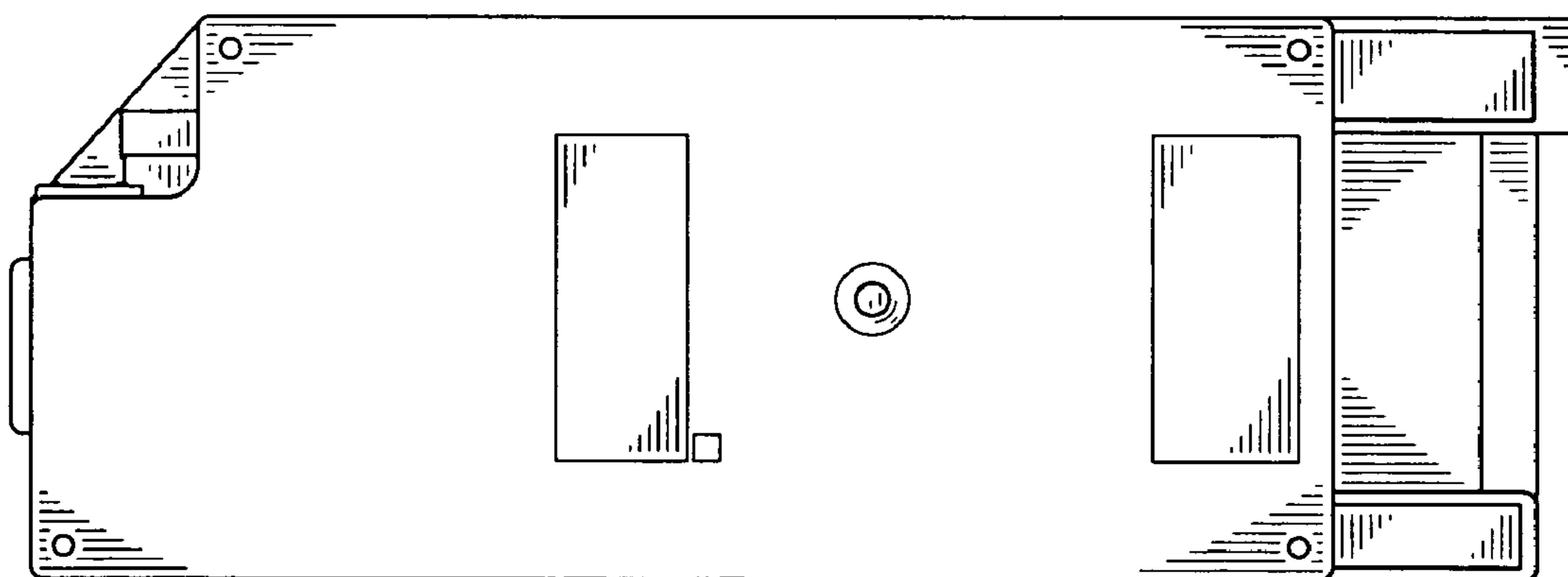


FIG. 8