



US00D612410S

(12) **United States Design Patent**
Deurwaarder

(10) **Patent No.:** **US D612,410 S**
(45) **Date of Patent:** **** Mar. 23, 2010**

(54) **VIDEO CAMERA**

(75) Inventor: **Wessel Deurwaarder**, Eindhoven (NL)

(73) Assignee: **Robert Bosch GmbH**, Stuttgart (DE)

(**) Term: **14 Years**

(21) Appl. No.: **29/342,934**

(22) Filed: **Sep. 3, 2009**

(30) **Foreign Application Priority Data**

Apr. 28, 2009 (EM) 001130462

(51) **LOC (9) Cl.** **16-01**

(52) **U.S. Cl.** **D16/203**

(58) **Field of Classification Search** D16/200–205,
D16/208, 218; 348/373–376; 358/906; 396/427,
396/535–541

See application file for complete search history.

(56) **References Cited**

U.S. PATENT DOCUMENTS

D416,272 S * 11/1999 Adachi D16/203
D426,844 S * 6/2000 Fujii D16/203
D446,801 S * 8/2001 Adachi et al. D16/203

6,728,480 B1 * 4/2004 Maeda et al. 348/373
D489,744 S * 5/2004 Muto D16/203
D522,035 S * 5/2006 Muto D16/203
D540,360 S * 4/2007 Yamakawa D16/203
7,221,402 B2 * 5/2007 Cheng 348/375
D565,073 S * 3/2008 Jeon D16/203

* cited by examiner

Primary Examiner—Adir Aronovich

(74) *Attorney, Agent, or Firm*—Victor A. Henzi

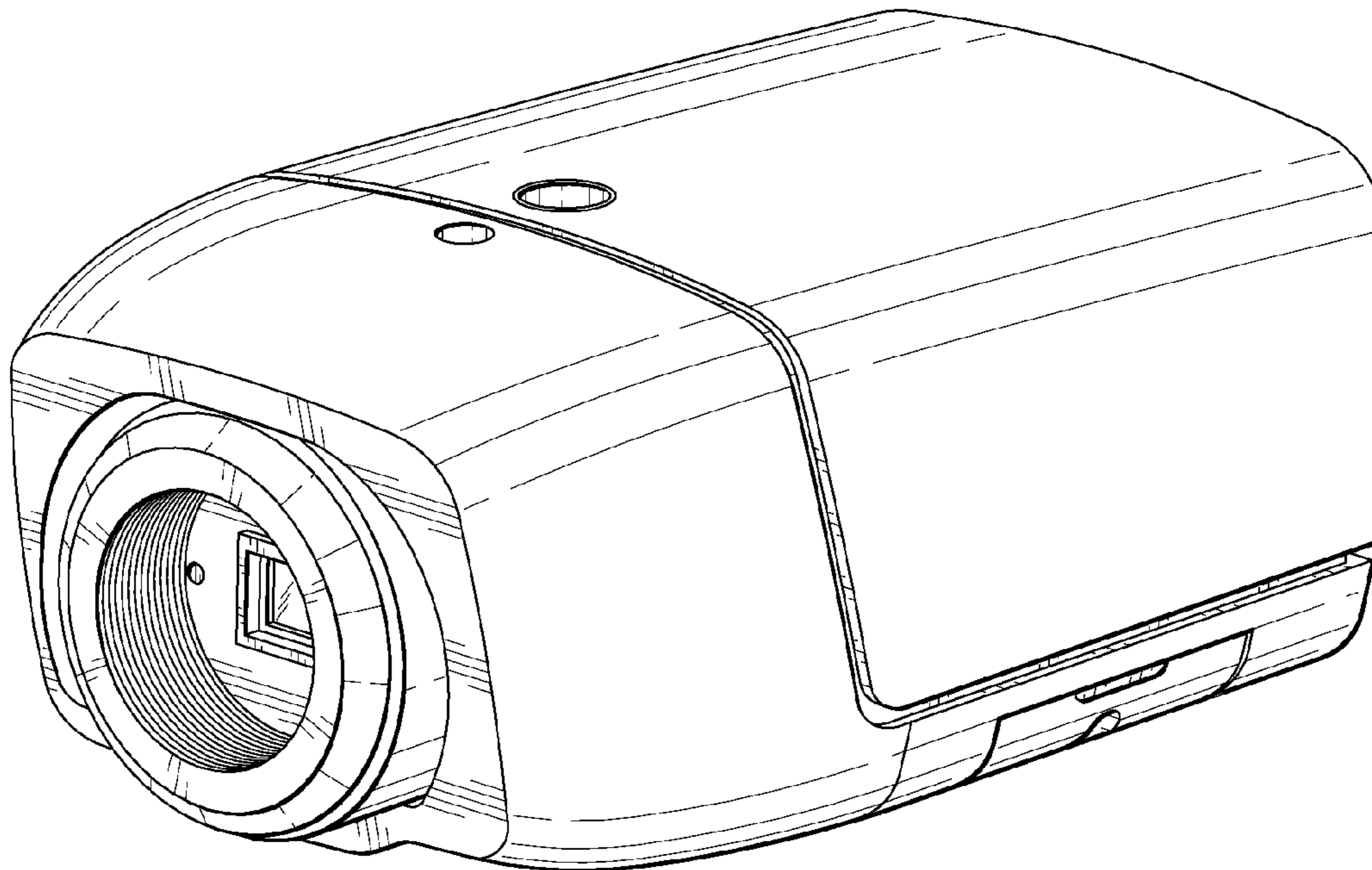
(57) **CLAIM**

The ornamental design for a video camera, as shown and described.

DESCRIPTION

FIG. 1 is a front left perspective view of the video camera;
FIG. 2 is a right elevational view thereof;
FIG. 3 is a left elevational view thereof;
FIG. 4 is a front elevational view thereof;
FIG. 5 is a rear elevational view thereof;
FIG. 6 is a top plan view thereof; and,
FIG. 7 is a bottom plan view thereof.

1 Claim, 6 Drawing Sheets



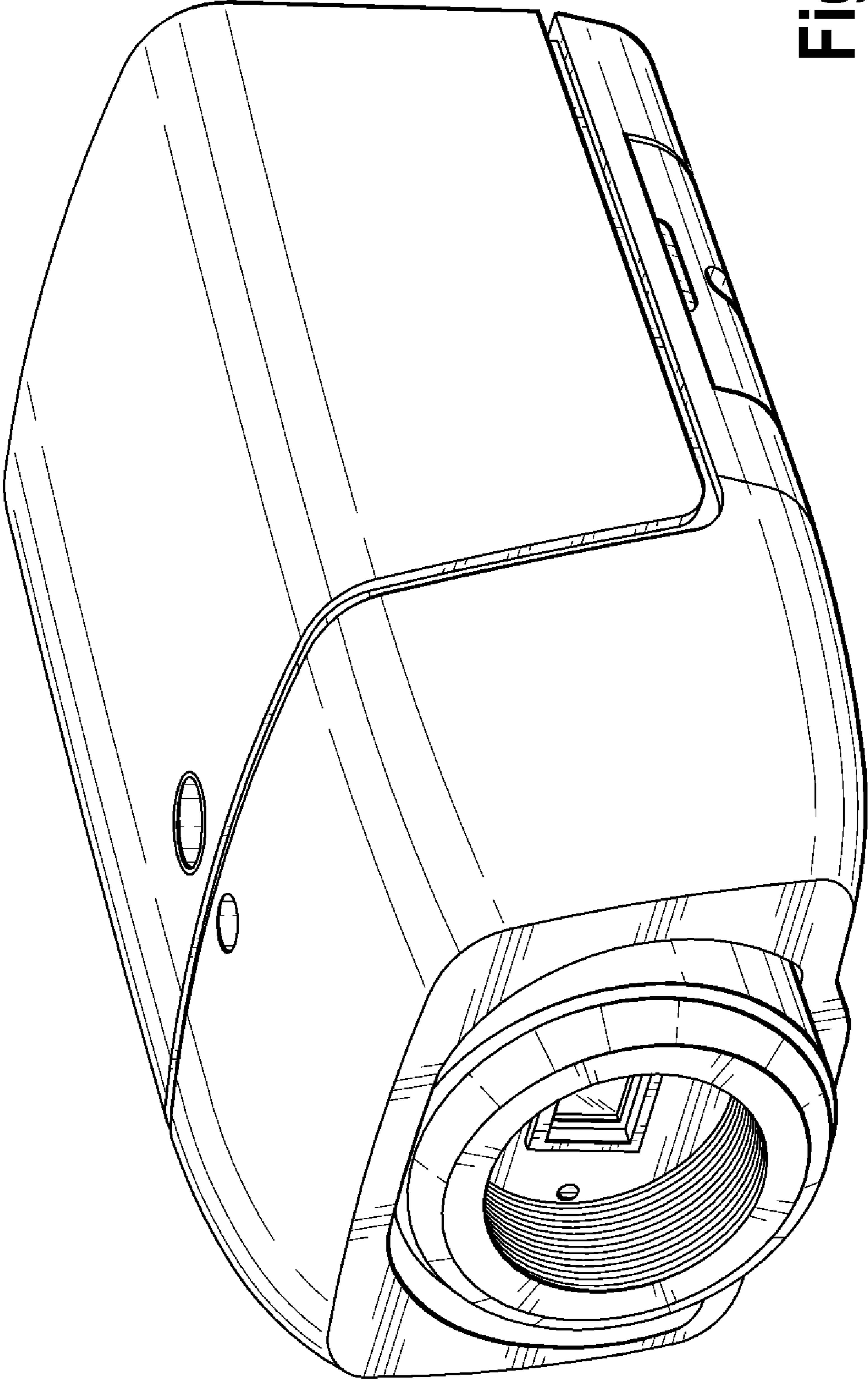
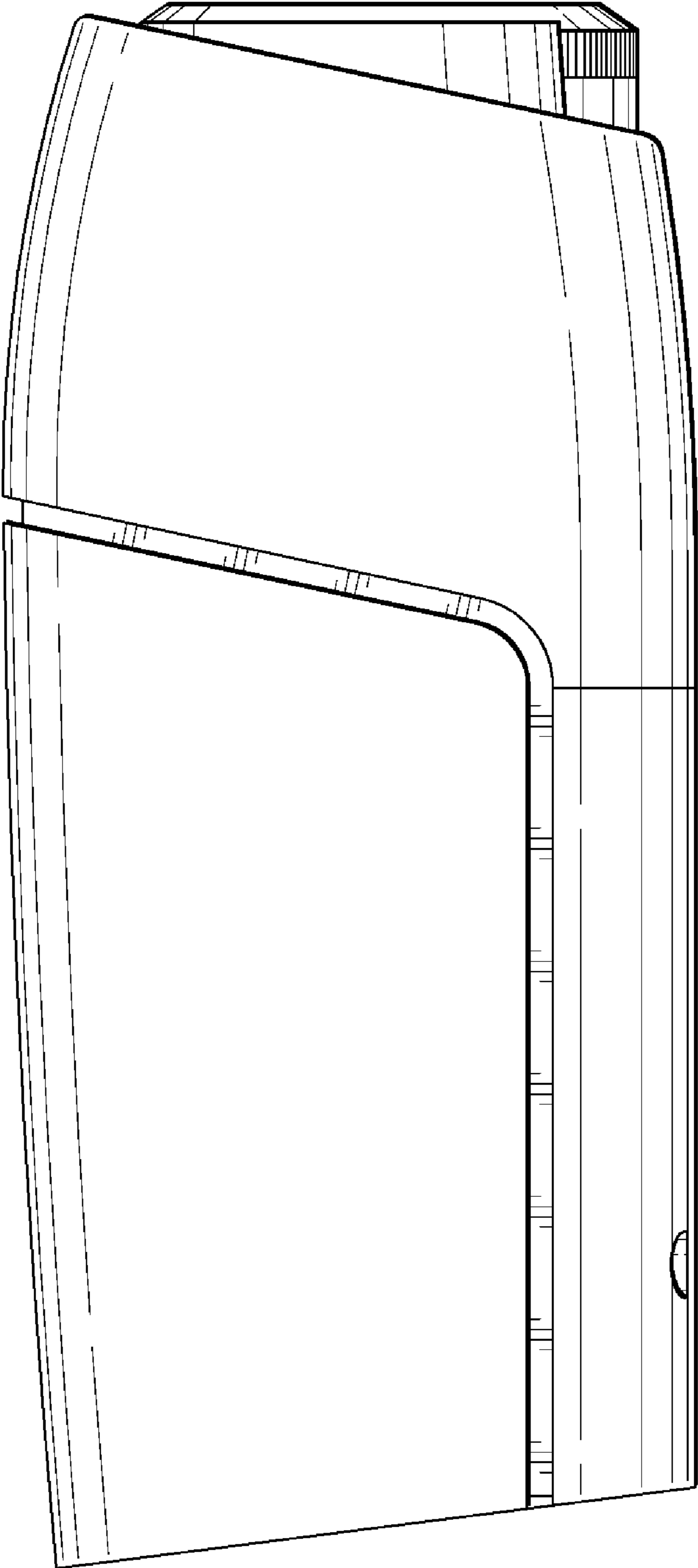


Fig. 1

Fig. 2



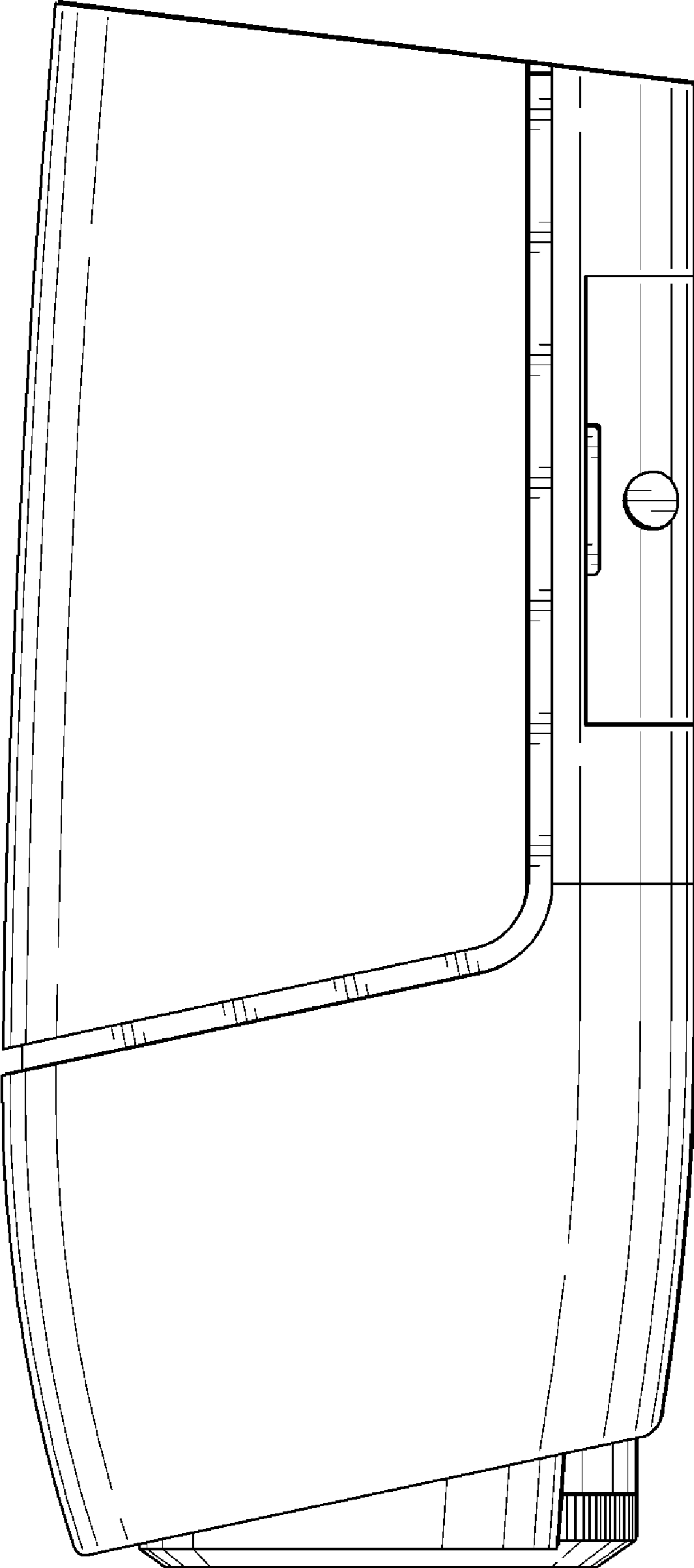


Fig. 3

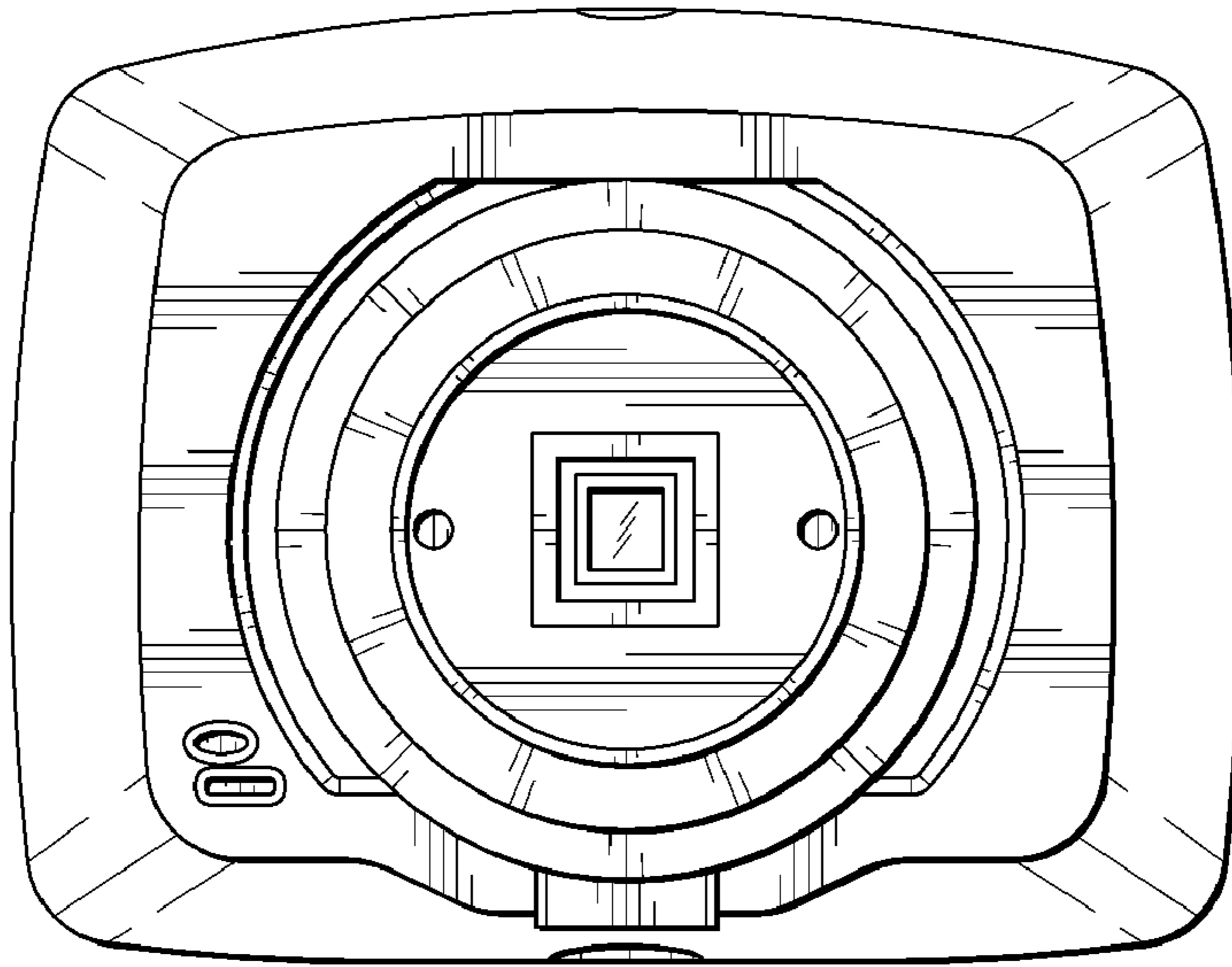


Fig. 4

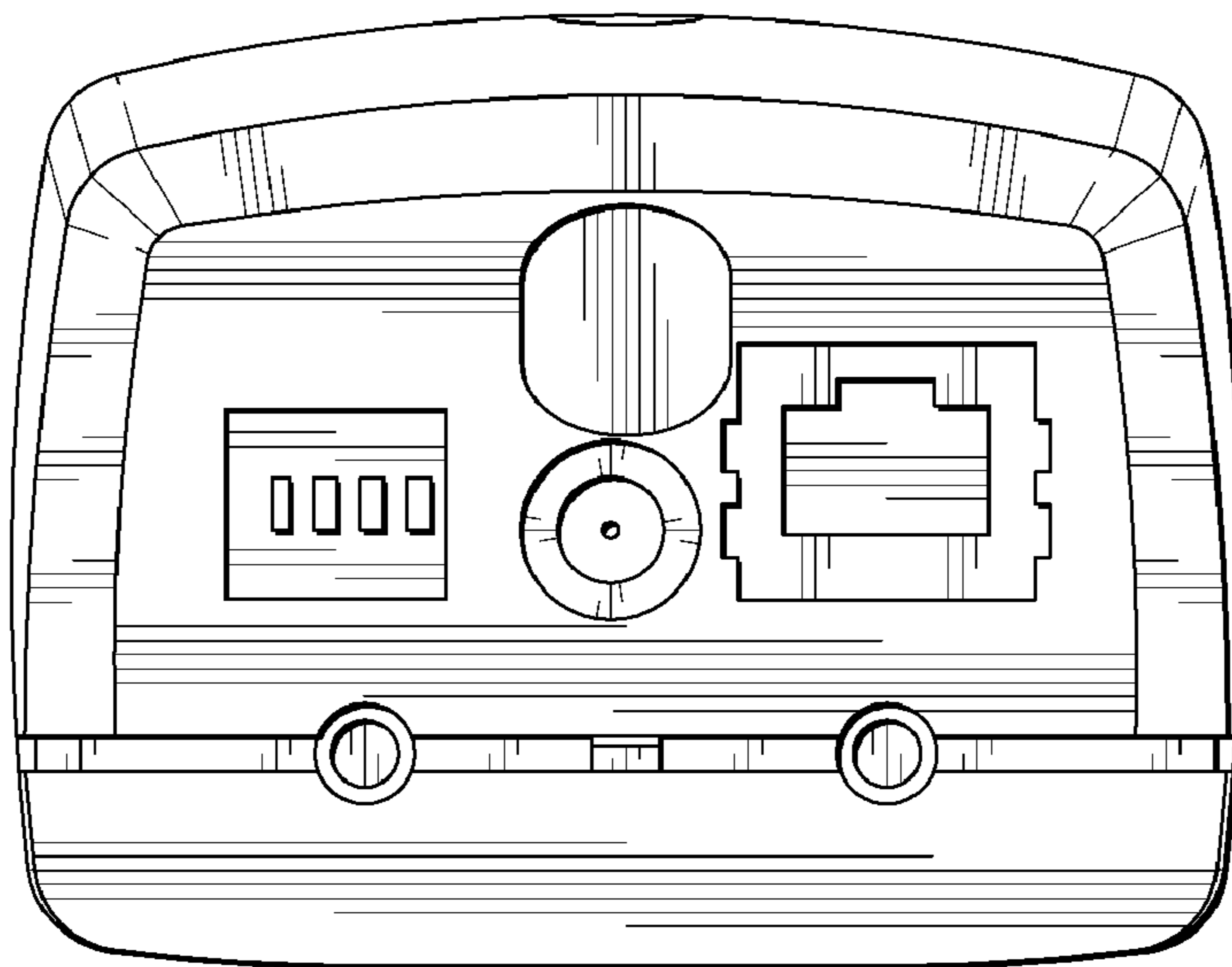


Fig. 5

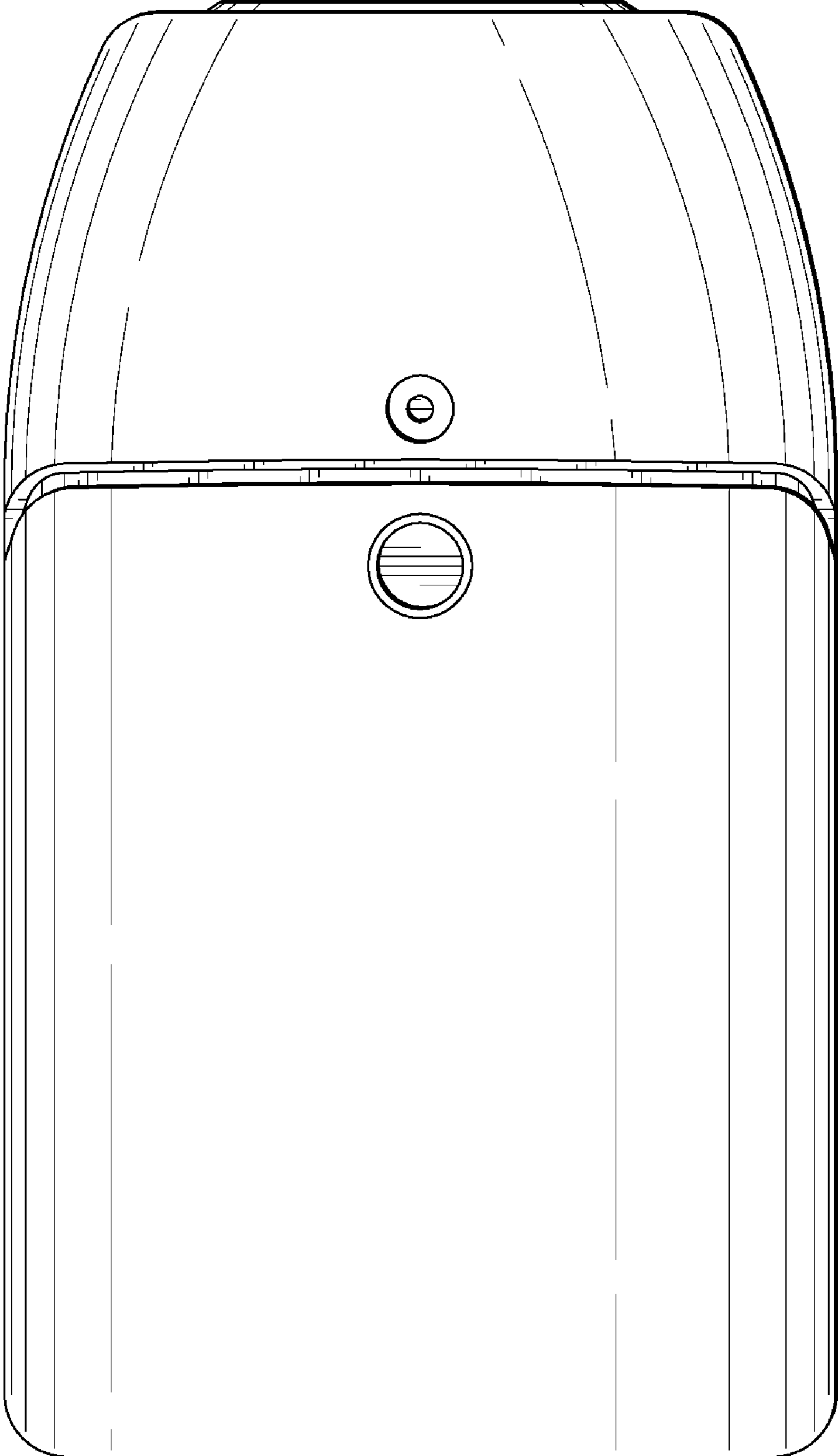


Fig. 6

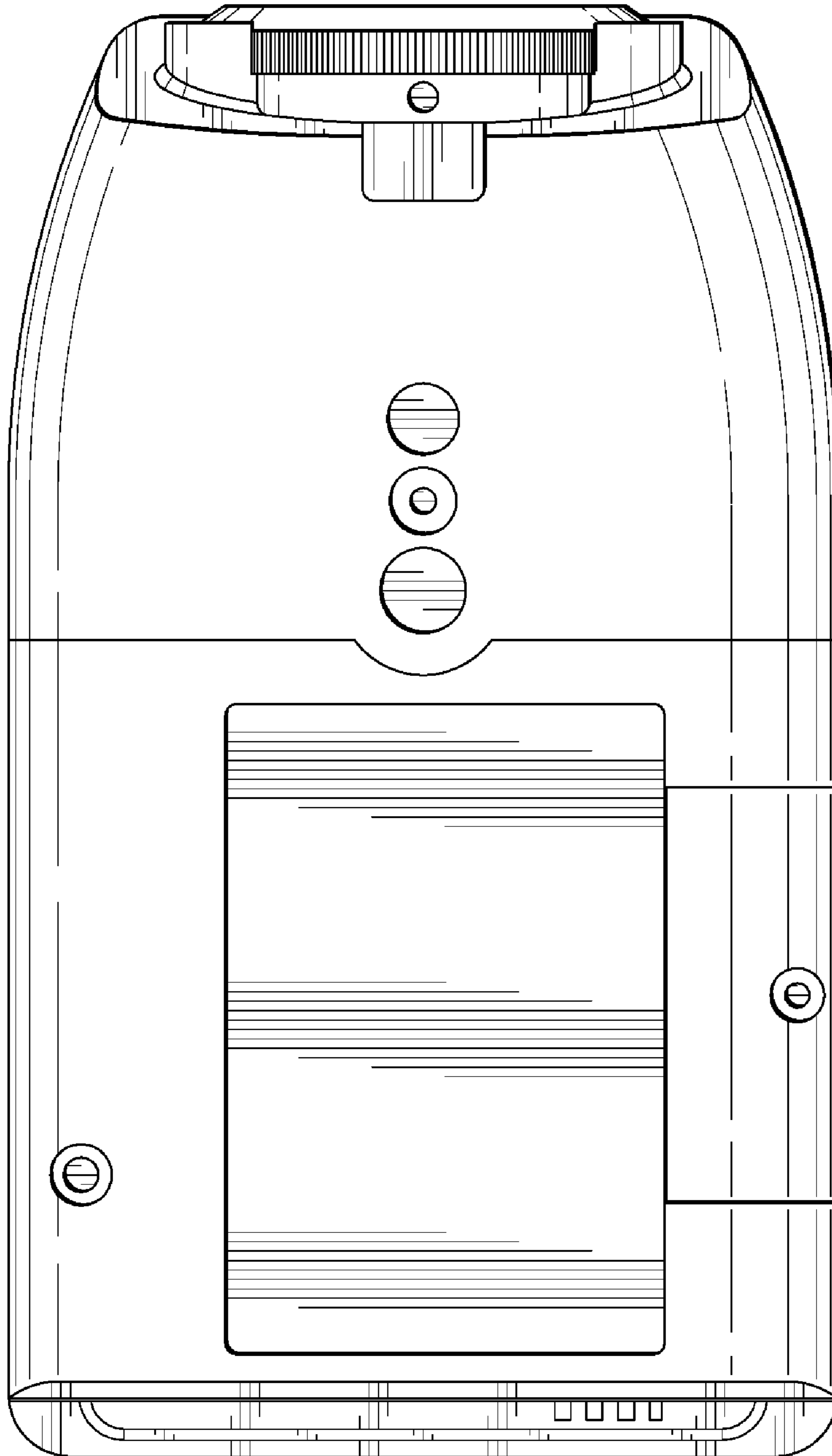


Fig. 7