



US00D612409S

(12) **United States Design Patent**
Deurwaarder

(10) **Patent No.:** **US D612,409 S**
(45) **Date of Patent:** **** Mar. 23, 2010**

(54) **VIDEO CAMERA**

(75) Inventor: **Wessel Deurwaarder**, Eindhoven (NL)

(73) Assignee: **Robert Bosch GmbH**, Stuttgart (DE)

(**) Term: **14 Years**

(21) Appl. No.: **29/342,933**

(22) Filed: **Sep. 3, 2009**

(30) **Foreign Application Priority Data**

Apr. 28, 2009 (EM) 001130462

(51) **LOC (9) Cl.** **16-01**

(52) **U.S. Cl.** **D16/203**

(58) **Field of Classification Search** D16/200–205,
D16/208, 218; 348/373–376; 358/906; 396/427,
396/535–541

See application file for complete search history.

(56) **References Cited**

U.S. PATENT DOCUMENTS

D339,598 S * 9/1993 Shimizu D16/203
5,790,910 A * 8/1998 Haskin 396/427
D476,671 S * 7/2003 van Schaik et al. D16/203

6,830,387 B2 * 12/2004 Rife 348/374
D532,806 S * 11/2006 Cheng D16/203
D540,361 S * 4/2007 Yamakawa D16/203
D556,805 S * 12/2007 Kuroda D16/203
D576,194 S * 9/2008 Yoshida et al. D16/203

* cited by examiner

Primary Examiner—Adir Aronovich

(74) *Attorney, Agent, or Firm*—Victor A. Henzi

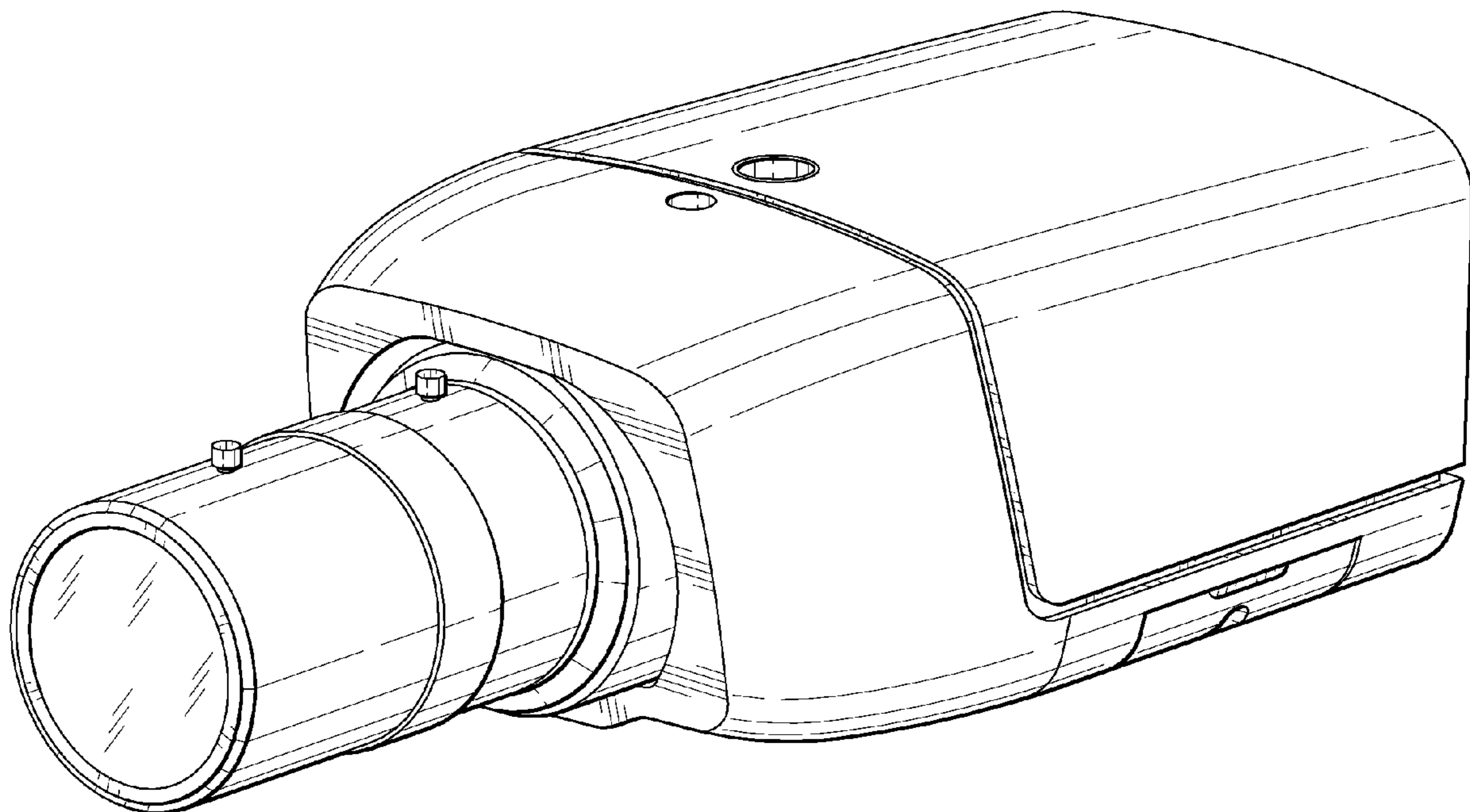
(57) **CLAIM**

The ornamental design for a video camera, as shown and described.

DESCRIPTION

FIG. 1 is a front left perspective view of the video camera;
FIG. 2 is a right elevational view thereof;
FIG. 3 is a left elevational view thereof;
FIG. 4 is a front elevational view thereof;
FIG. 5 is a rear elevational view thereof;
FIG. 6 is a top plan view thereof; and,
FIG. 7 is a bottom plan view thereof.

1 Claim, 6 Drawing Sheets



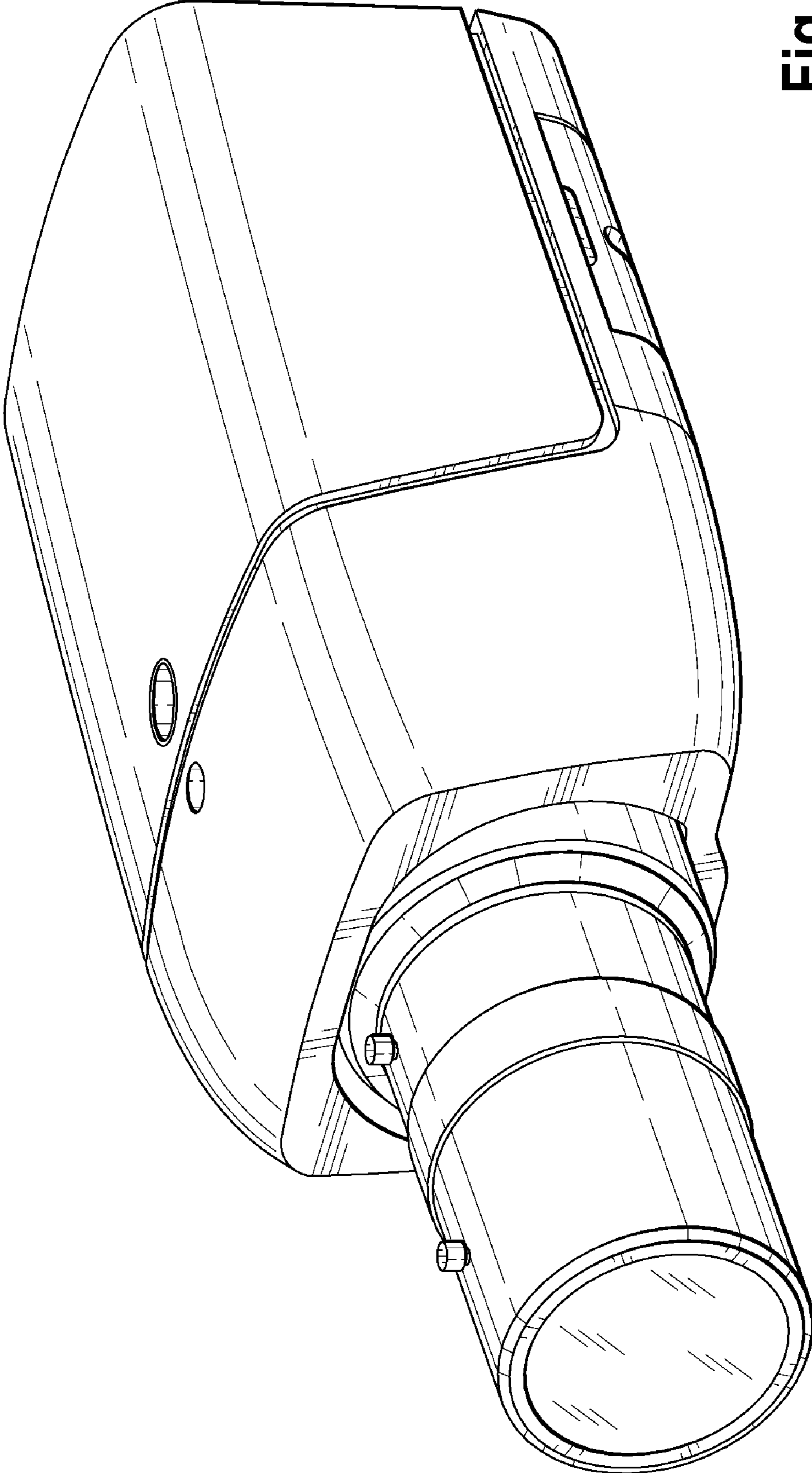


Fig. 1

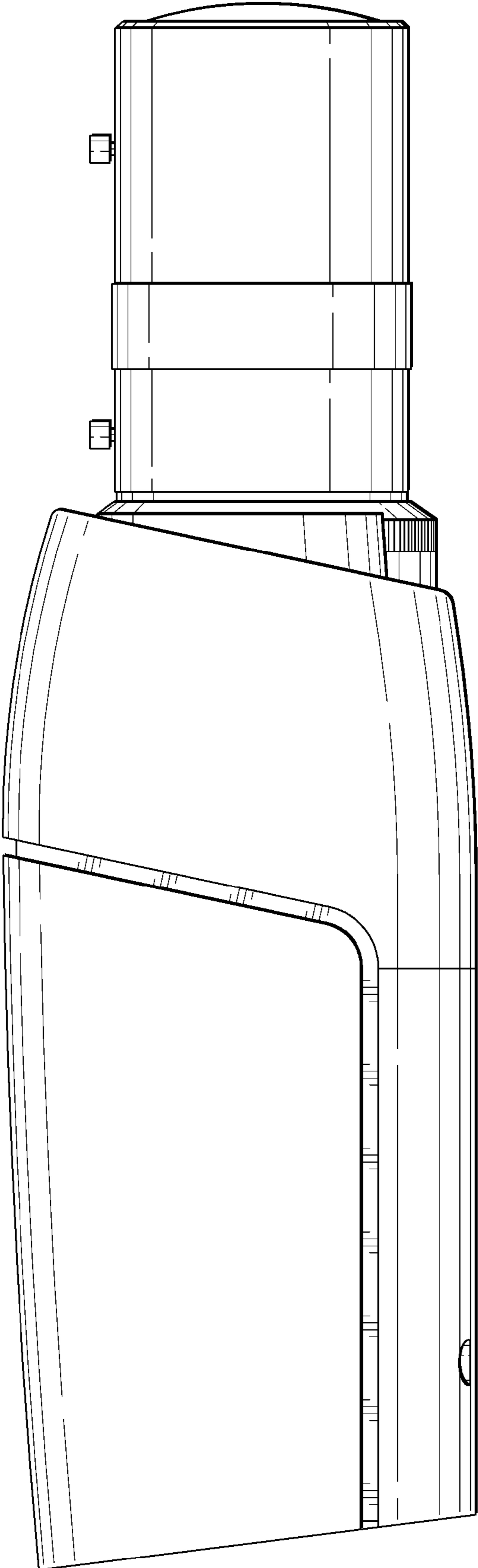


Fig. 2

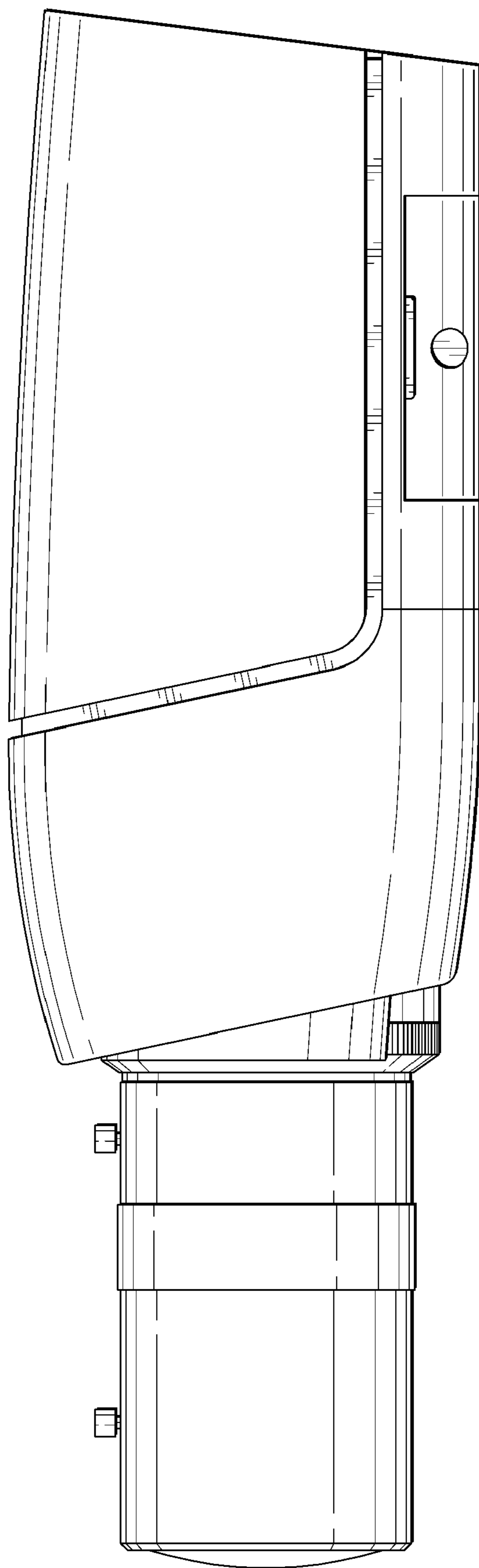


Fig. 3

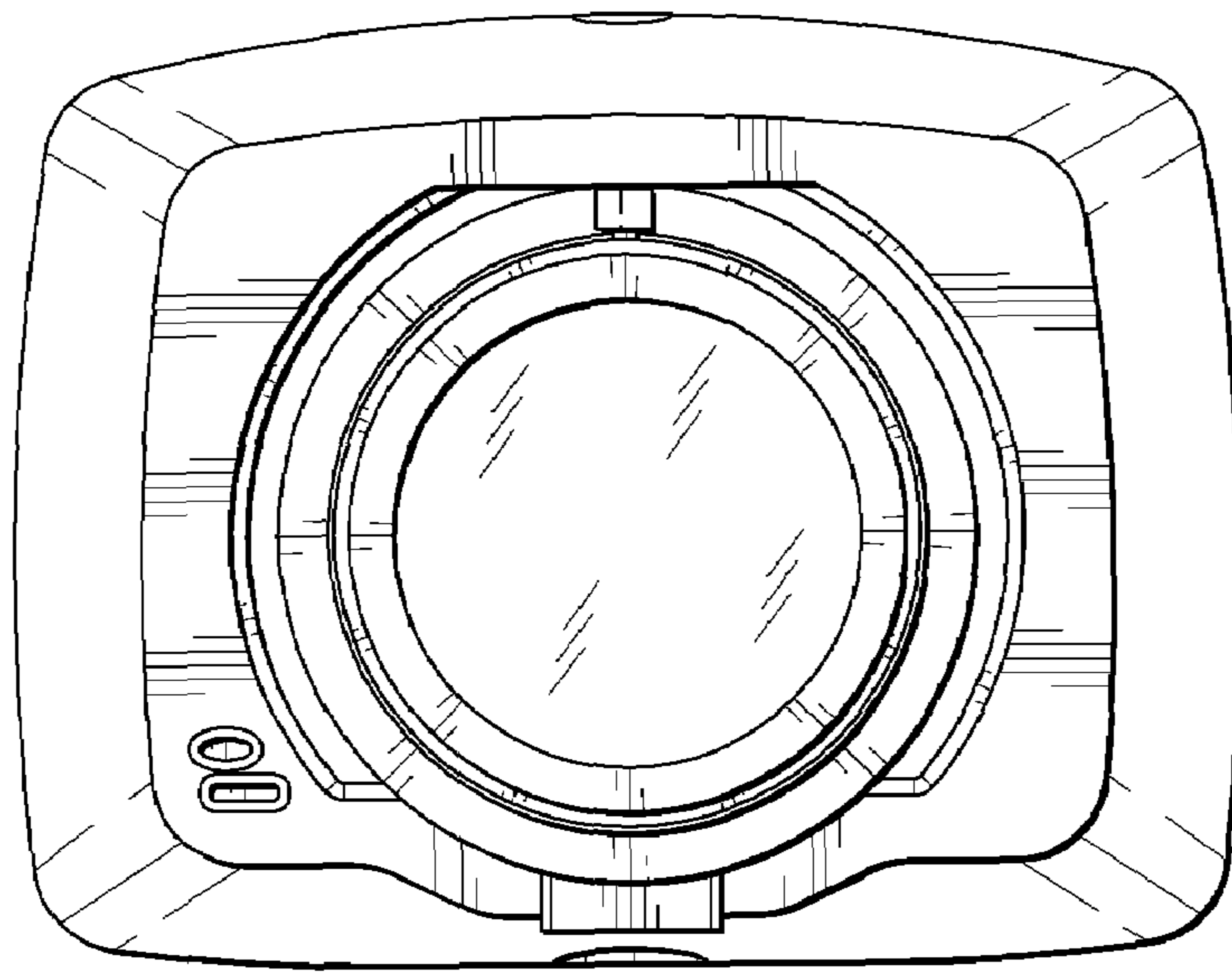


Fig. 4

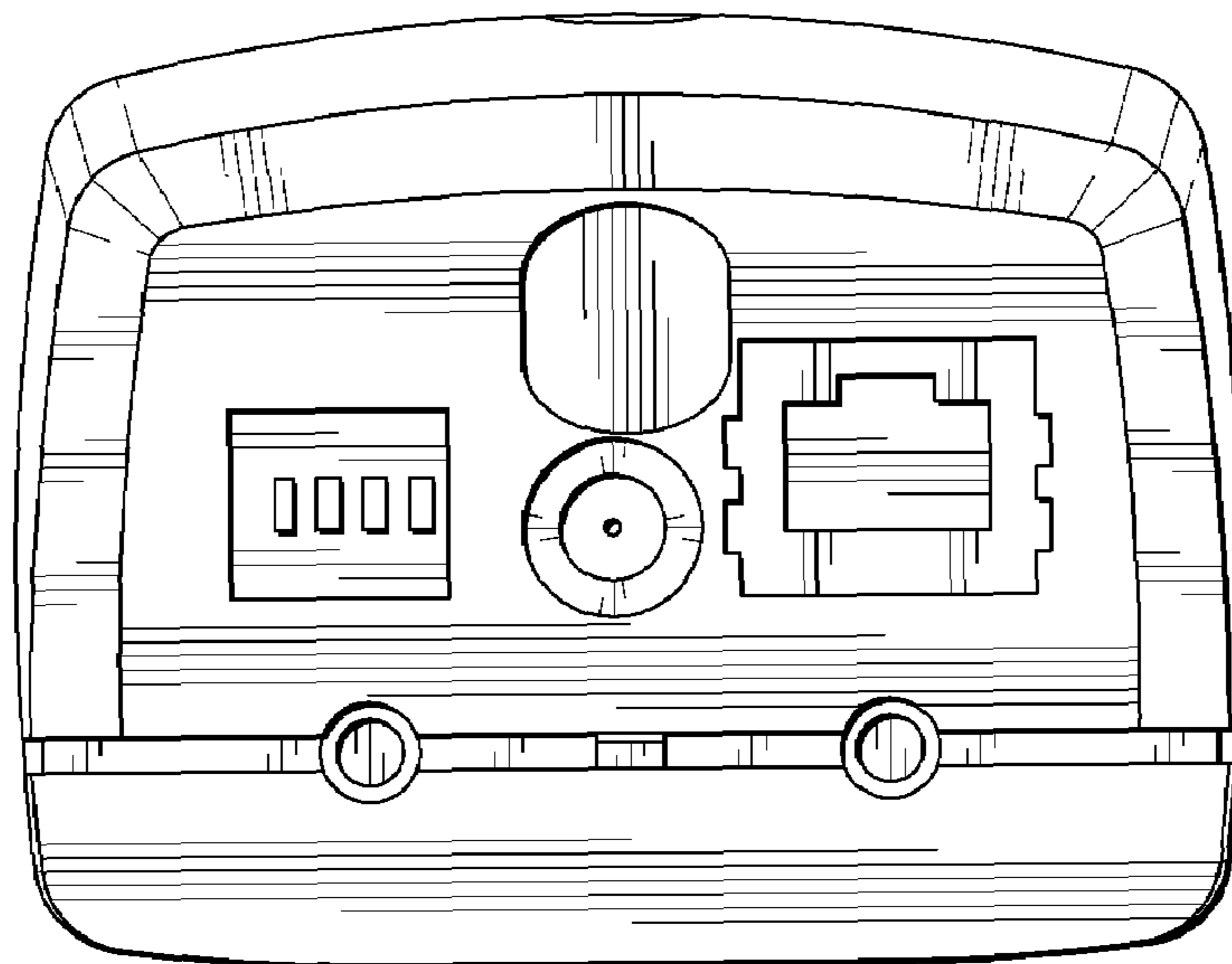


Fig. 5

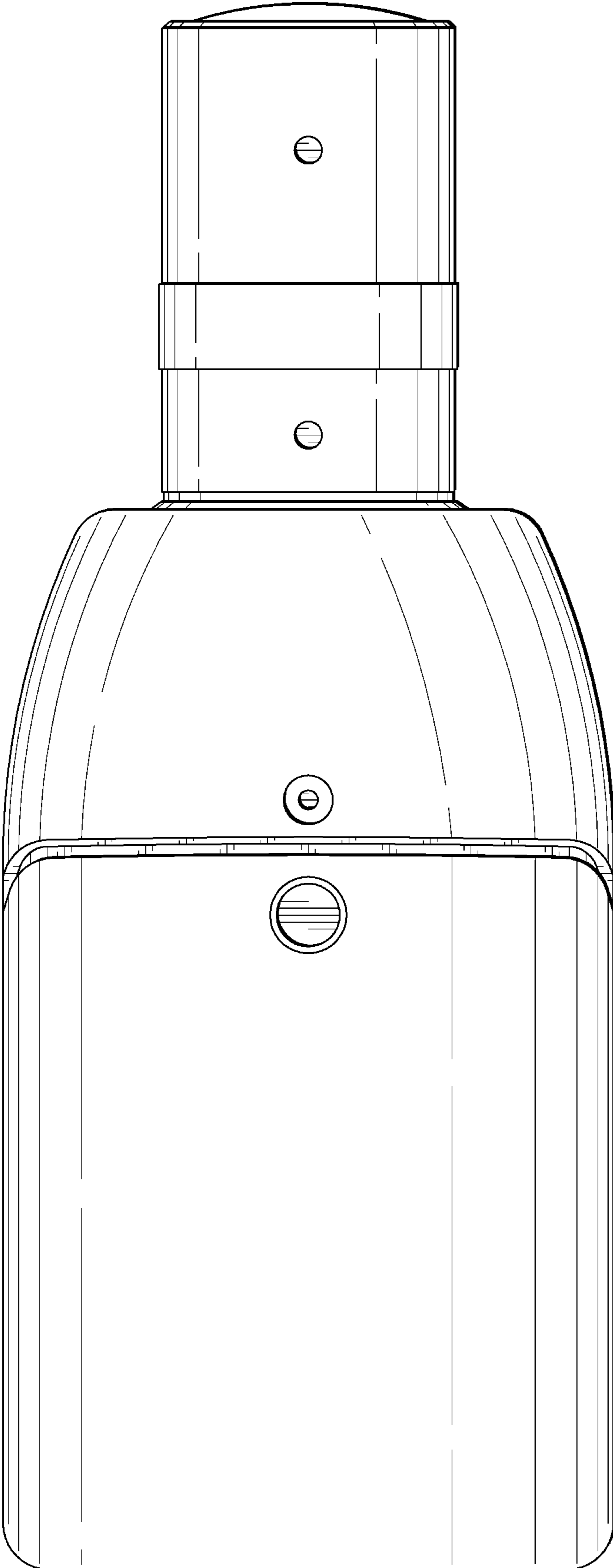


Fig. 6

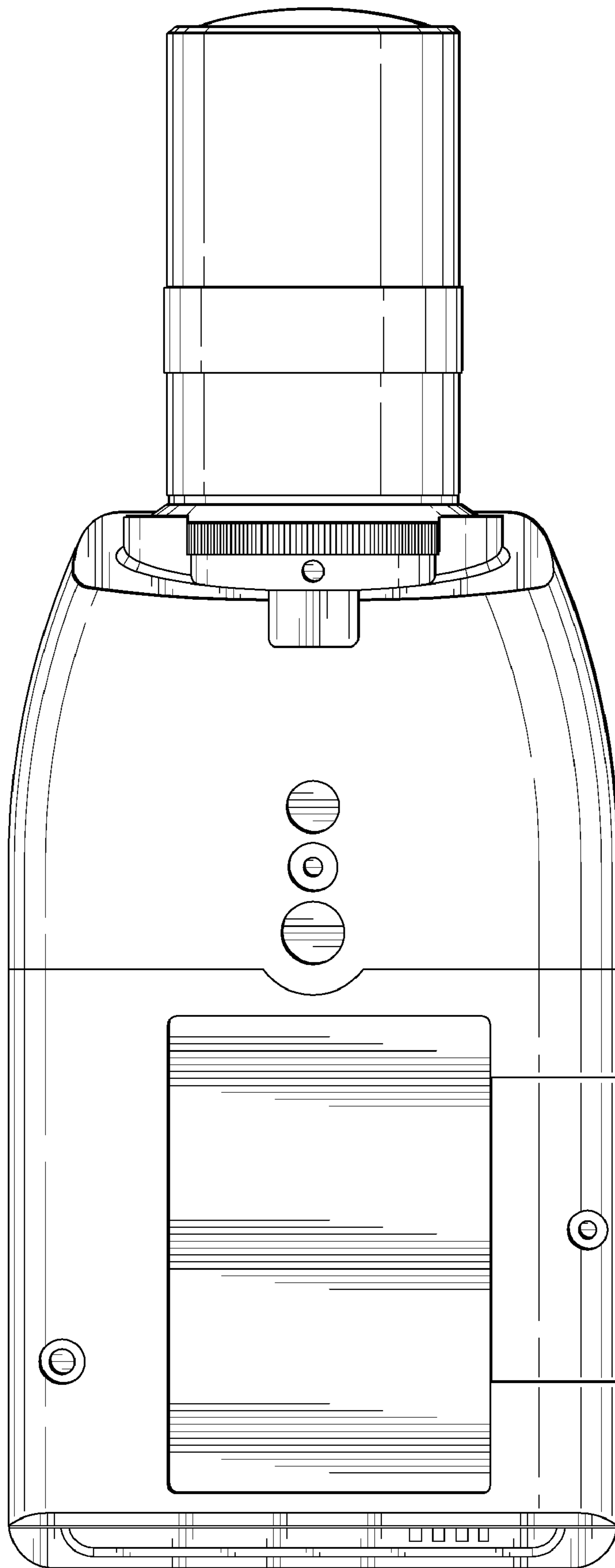


Fig. 7