



US00D612408S

(12) **United States Design Patent**
Yamakawa

(10) **Patent No.:** **US D612,408 S**
(45) **Date of Patent:** **** Mar. 23, 2010**

(54) **SURVEILLANCE CAMERA**

2008/0111914 A1* 5/2008 Takahashi et al. 348/373

(75) Inventor: **Yasuki Yamakawa**, Kanagawa (JP)

FOREIGN PATENT DOCUMENTS

(73) Assignee: **Panasonic Corporation**, Osaka (JP)

JP D723583 1/1988
JP D1066228 4/2000
JP D1195576 1/2004

(**) Term: **14 Years**

* cited by examiner

(21) Appl. No.: **29/337,732**

Primary Examiner—Adir Aronovich

(22) Filed: **May 28, 2009**

(74) *Attorney, Agent, or Firm*—Brinks Hofer Gilson & Lione

(30) **Foreign Application Priority Data**

(57) **CLAIM**

Dec. 5, 2008 (JP) 2008-031197

I claim the ornamental design for a surveillance camera, as shown and described.

(51) **LOC (9) Cl.** **16-01**

DESCRIPTION

(52) **U.S. Cl.** **D16/203**

(58) **Field of Classification Search** D16/200–205,
D16/208, 218; 348/373–376; 358/906; 396/427,
396/535–541

FIG. 1 is a top, front and left side perspective view of a surveillance camera showing my present invention;

See application file for complete search history.

FIG. 2 is a front elevational view;

(56) **References Cited**

FIG. 3 is a rear elevational view thereof;

U.S. PATENT DOCUMENTS

4,283,743 A * 8/1981 Kaiser 348/373
D426,844 S * 6/2000 Fujii D16/203
D470,520 S * 2/2003 Yamakawa et al. D16/203
6,728,480 B1 * 4/2004 Maeda et al. 396/427
D489,744 S * 5/2004 Muto D16/203
D522,035 S * 5/2006 Muto D16/203
D540,360 S * 4/2007 Yamakawa D16/203
D543,224 S * 5/2007 Kato et al. D16/203
7,221,402 B2 * 5/2007 Cheng 348/375
D563,448 S * 3/2008 Yamakawa D16/202

FIG. 4 is a left side elevational view thereof;

FIG. 5 a right side elevational view thereof;

FIG. 6 is a top plan view thereof;

FIG. 7 is a bottom plan view thereof; and,

FIG. 8 top, rear and right side perspective view.

The broken line showing of surveillance camera is included for the purpose of illustrating environment and forms no part of the claimed design.

1 Claim, 8 Drawing Sheets

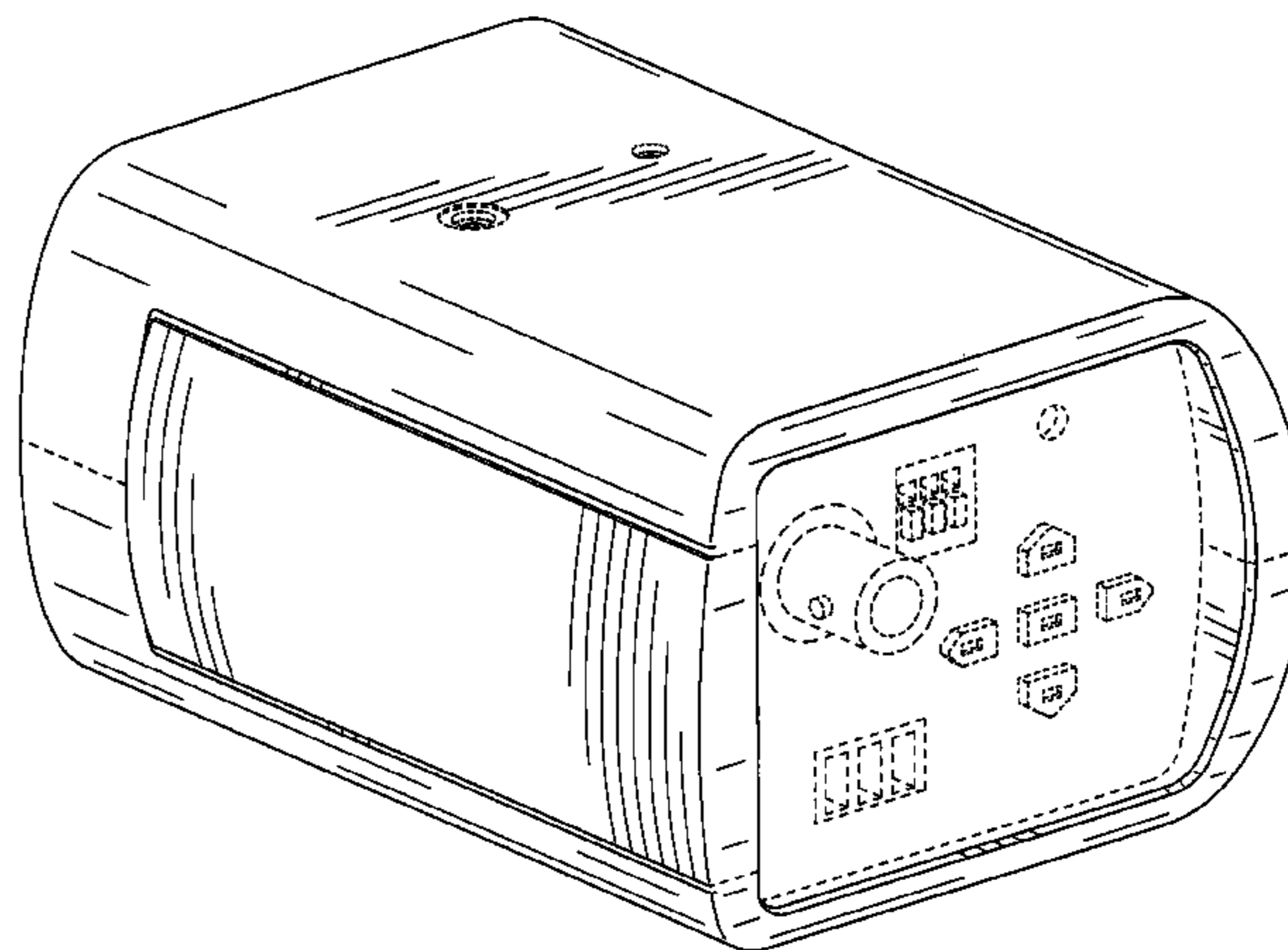
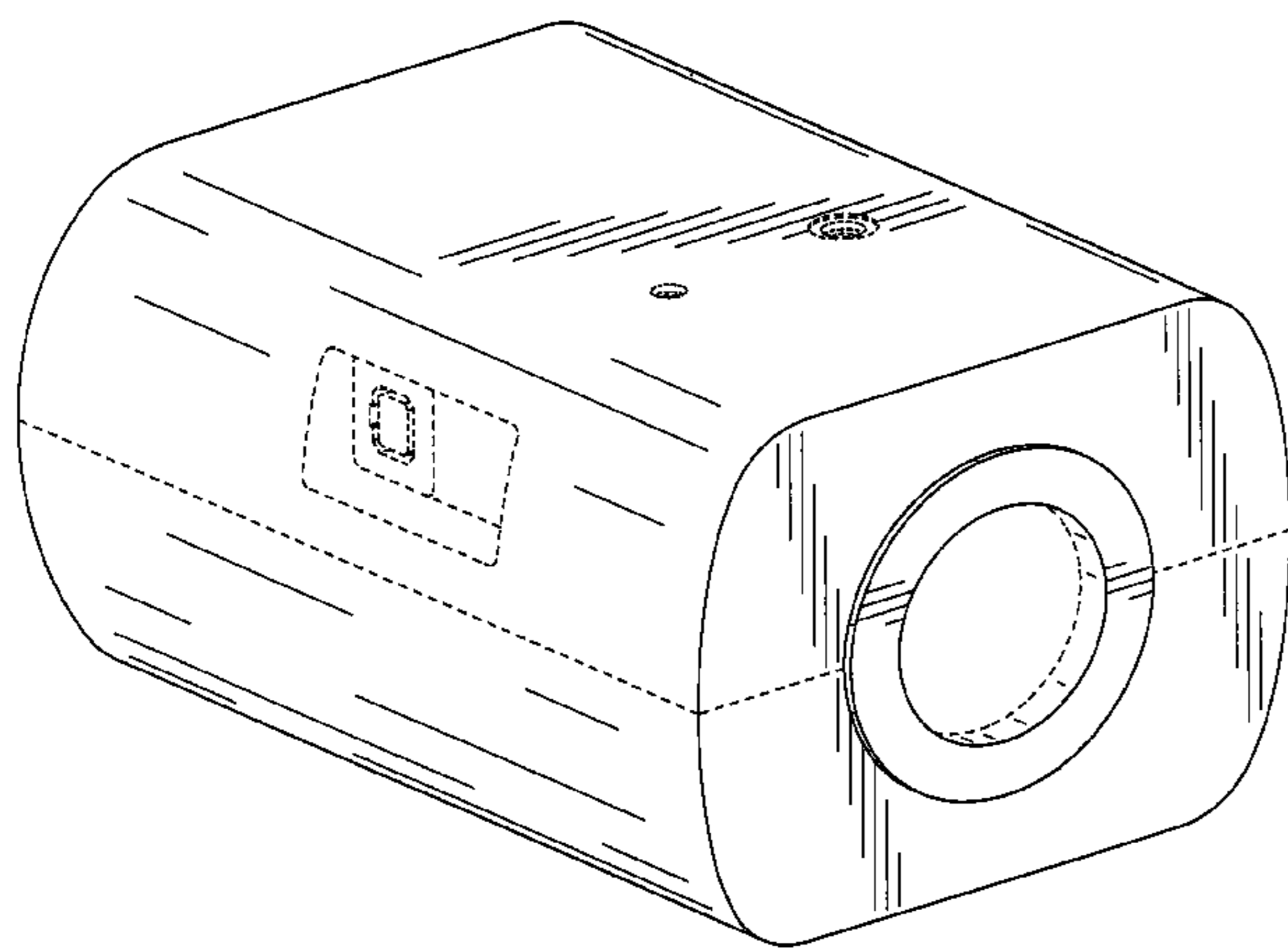


FIG.1

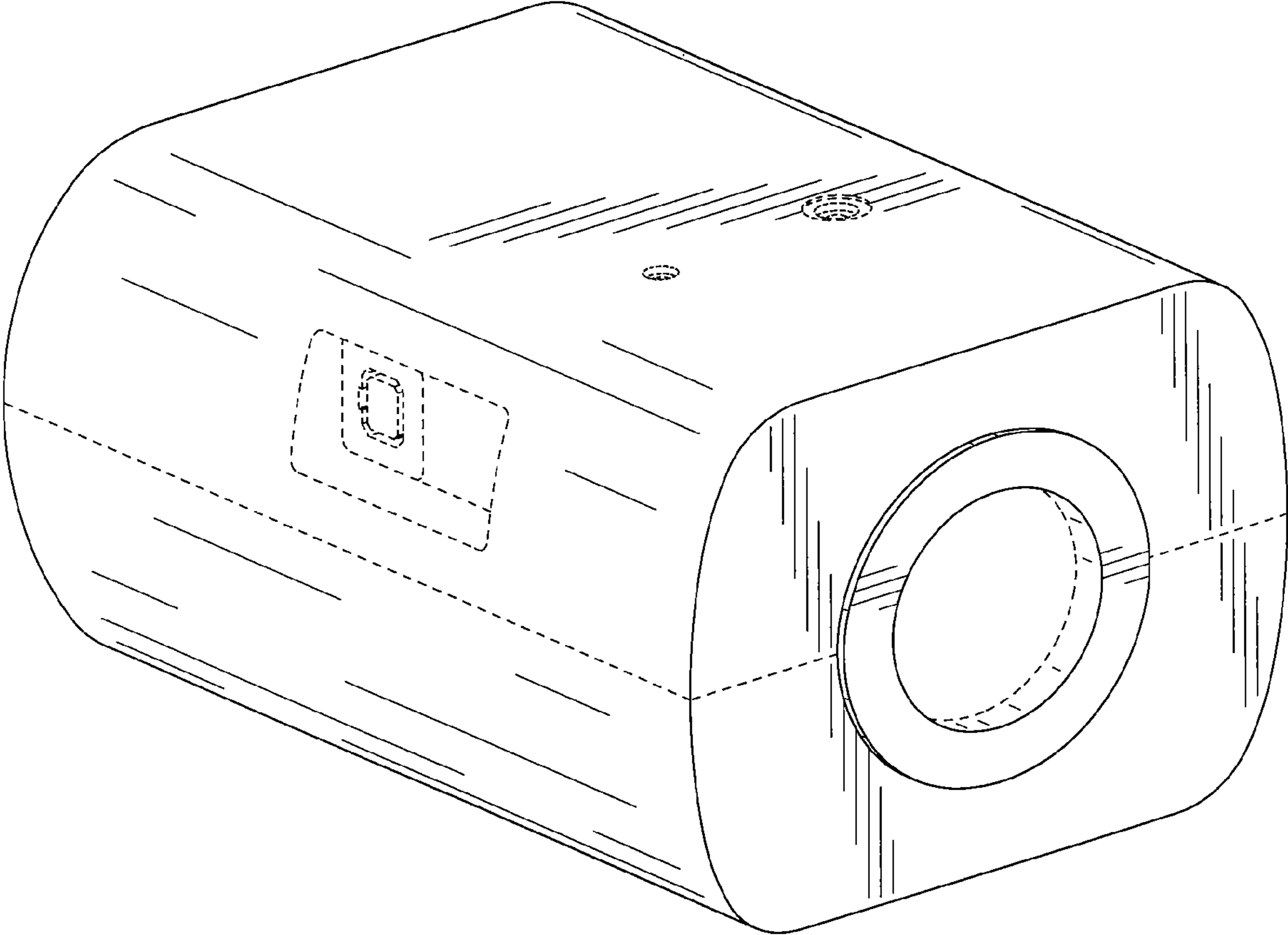


FIG.2

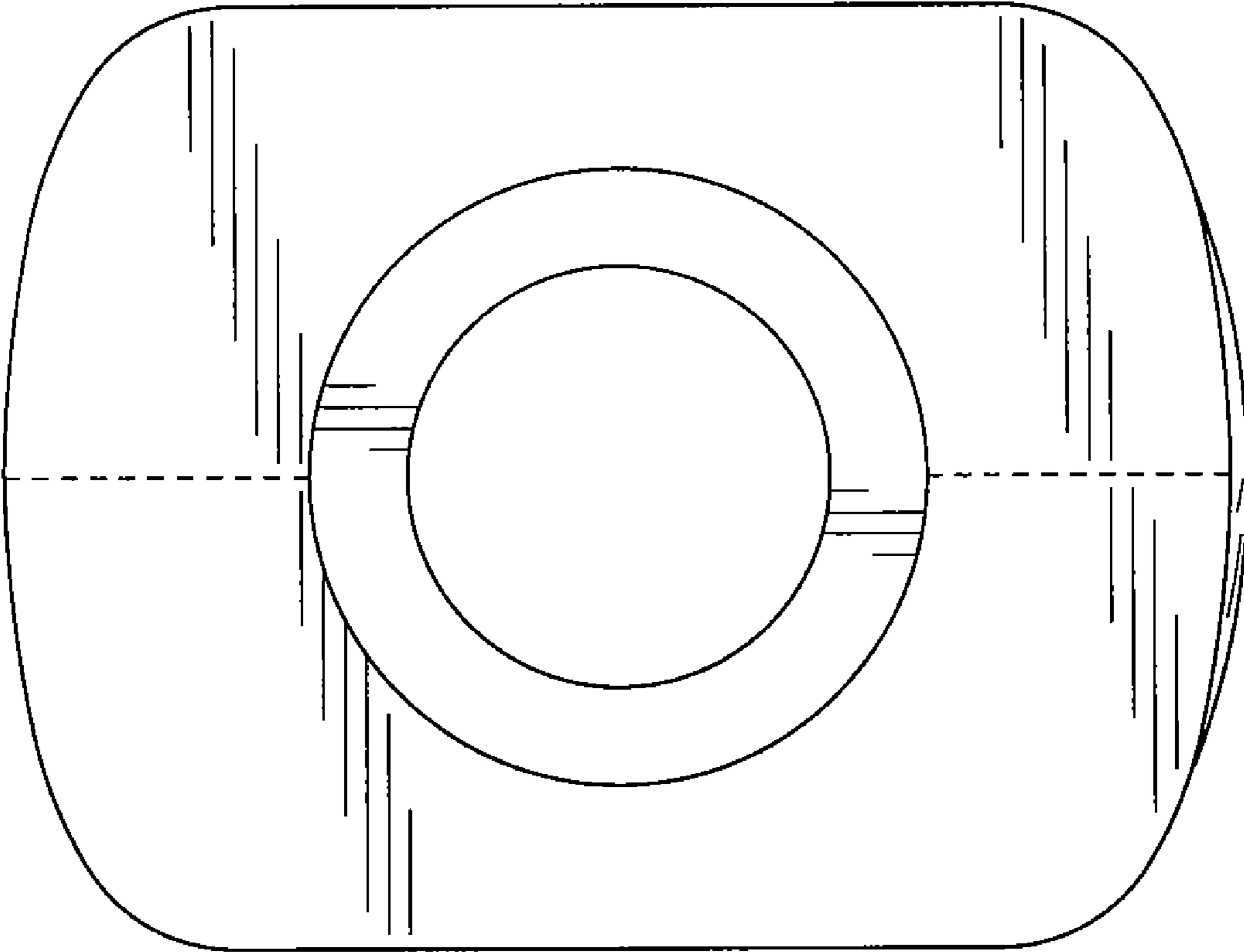


FIG.3

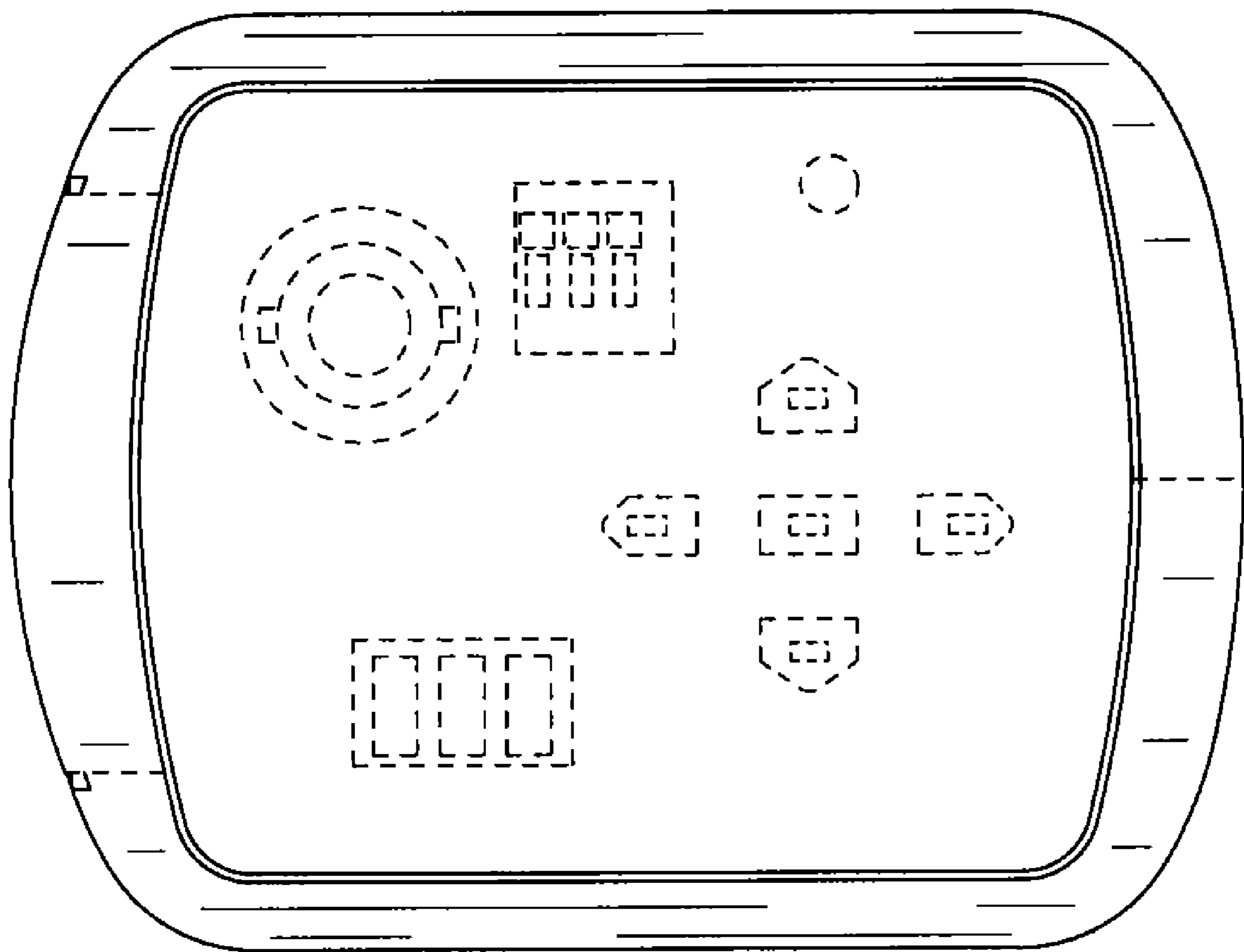


FIG.4

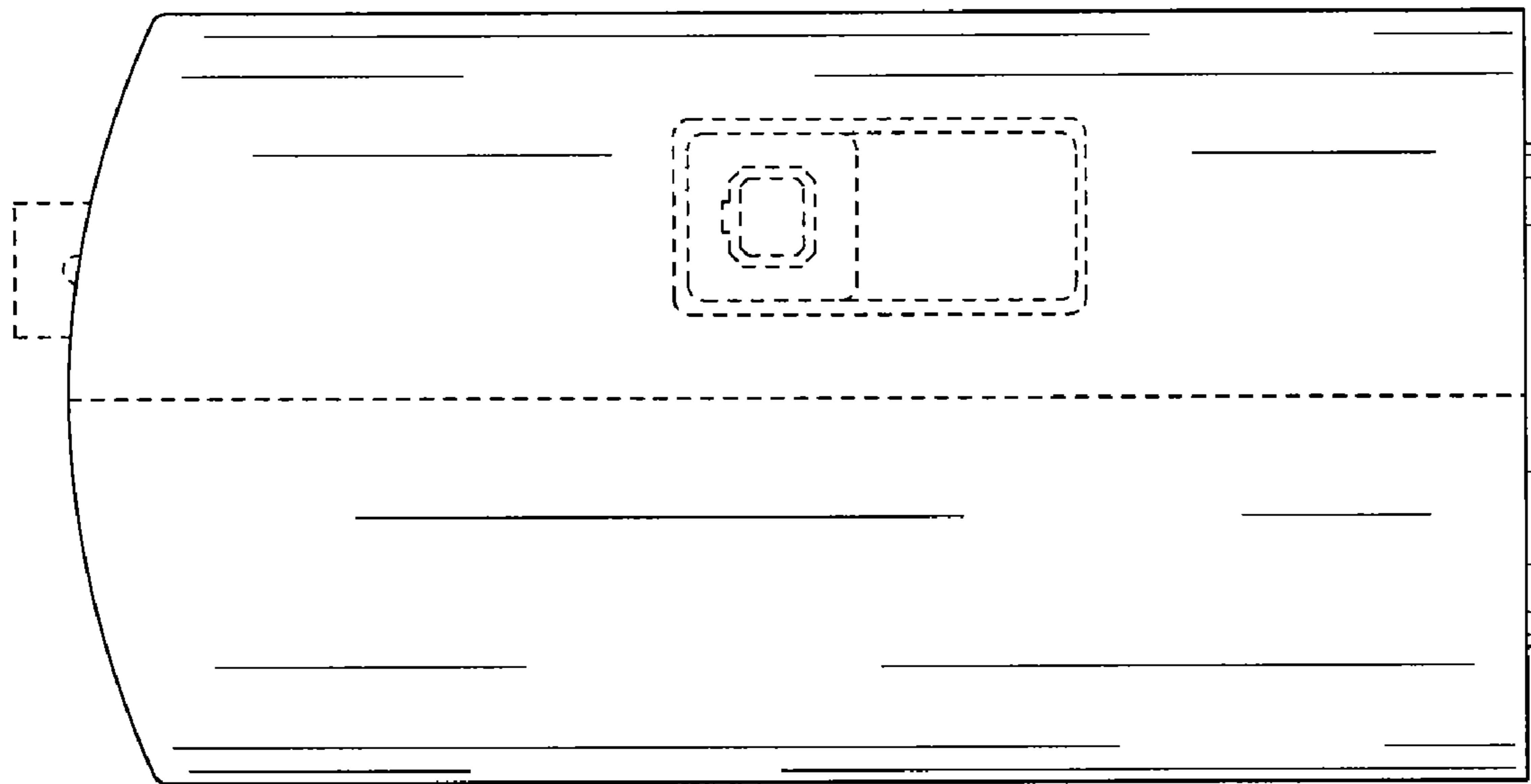


FIG.5

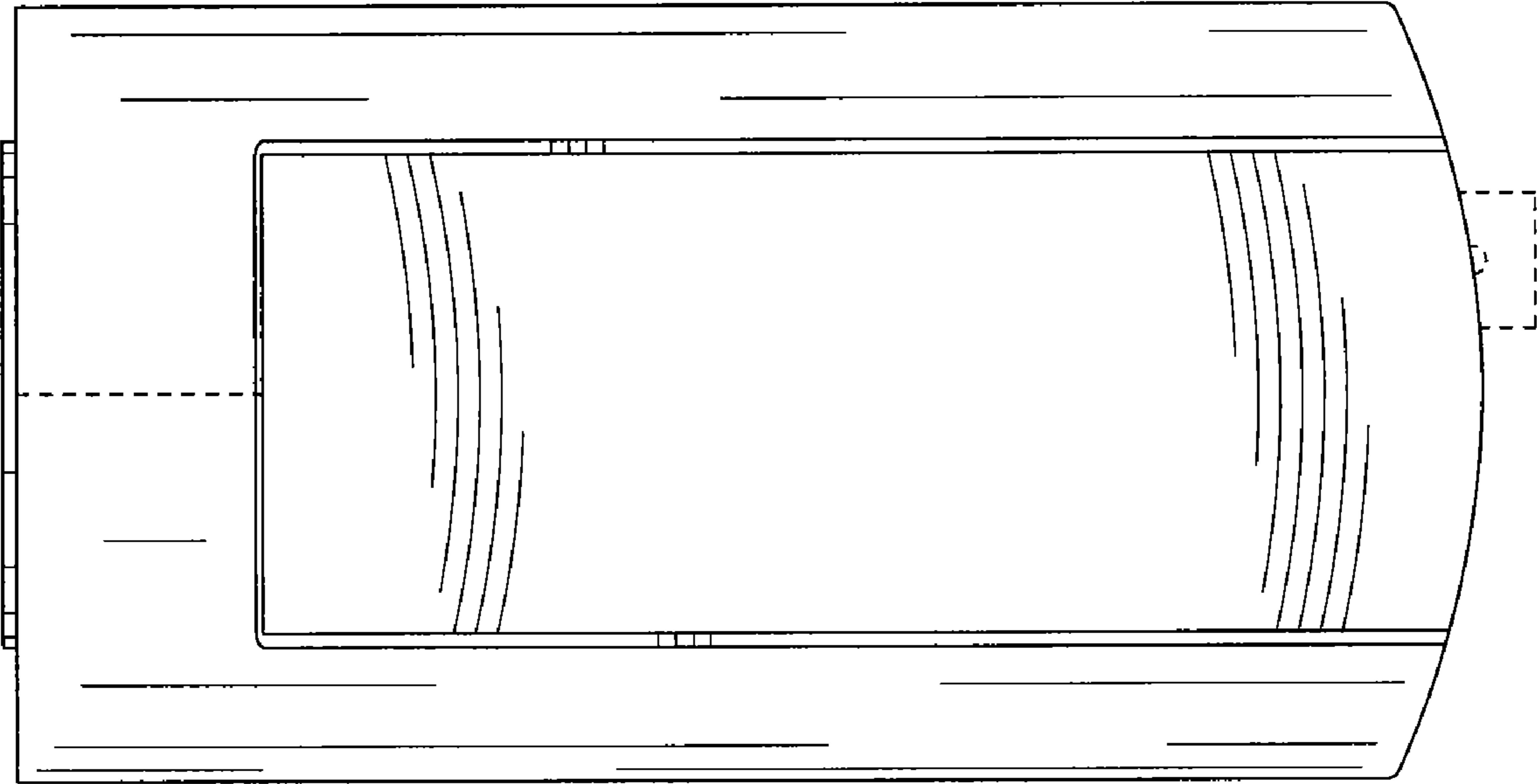


FIG.6

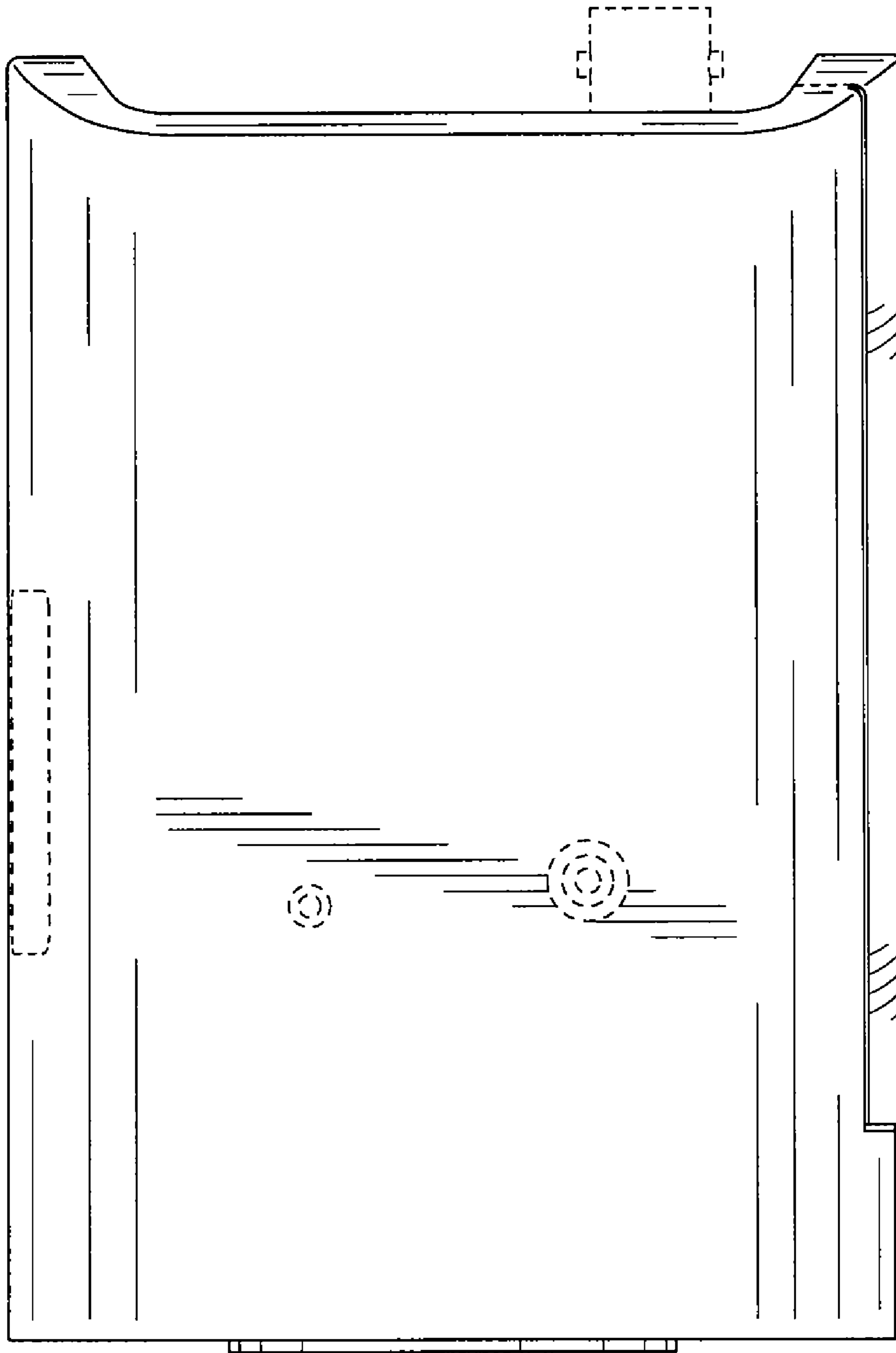


FIG.7

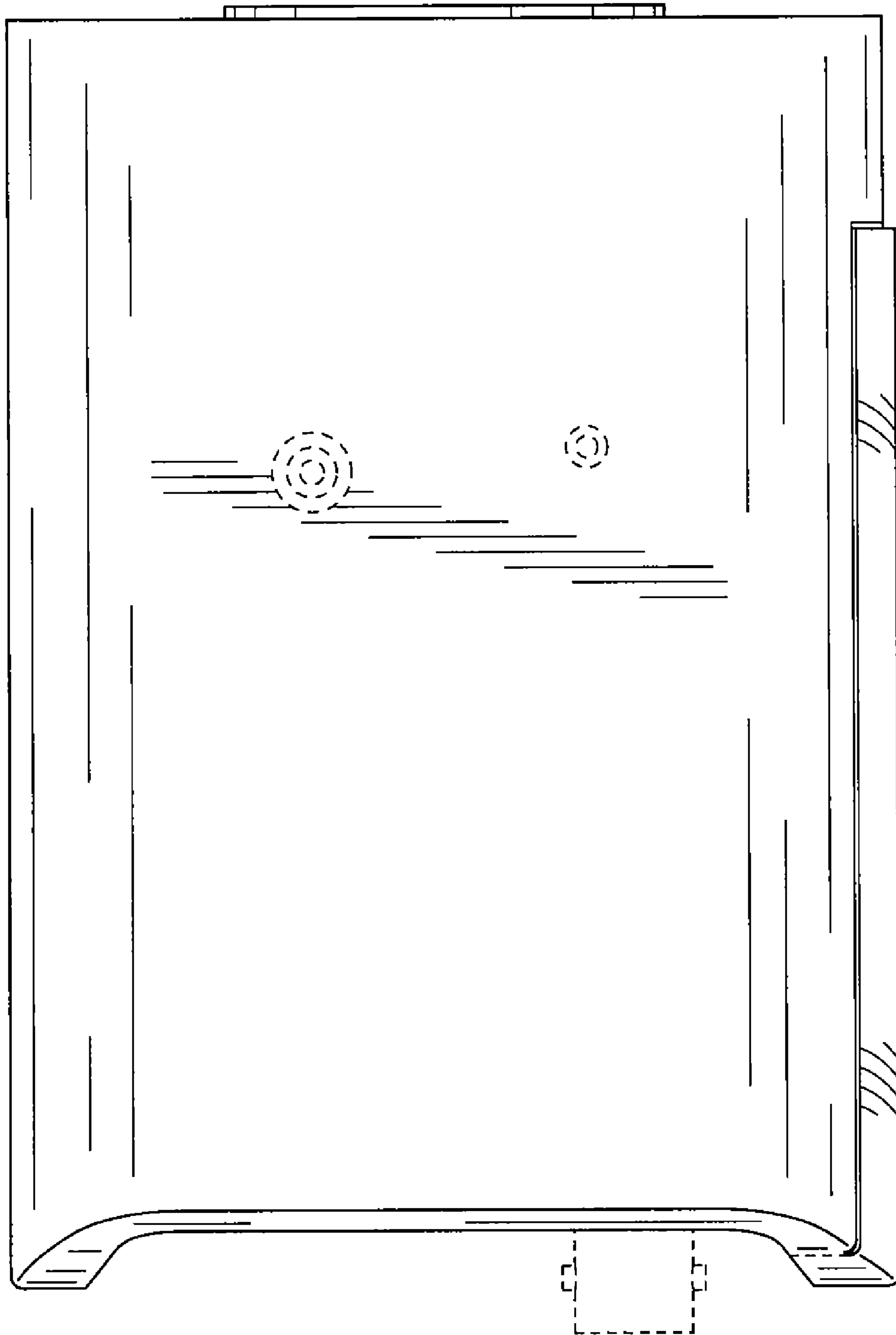


FIG.8

