



US00D612407S

(12) **United States Design Patent**
Hagleitner

(10) **Patent No.:** **US D612,407 S**
(45) **Date of Patent:** **** Mar. 23, 2010**

(54) **COMBINED JOURNAL BEARING AND BEARING PIN FOR A CARRIER FOR PAPER ROLLS**

(76) Inventor: **Hans Georg Hagleitner**, Lindenallee 11, A-5700 Zell am See (AT)

(**) Term: **14 Years**

(21) Appl. No.: **29/306,266**

(22) Filed: **Apr. 4, 2008**

| | | | | |
|---------------|---------|-----------|-------|---------|
| D49,704 S * | 9/1916 | Cook | | D8/393 |
| 1,484,402 A * | 2/1924 | Martin | | 248/544 |
| 2,412,120 A * | 12/1946 | Bouchard | | 351/141 |
| 2,684,094 A * | 7/1954 | Lissy | | 81/436 |
| 2,724,303 A * | 11/1955 | Holcomb | | 411/439 |
| D200,218 S * | 2/1965 | Curtiss | | D8/387 |
| 3,236,275 A * | 2/1966 | Smith | | 81/460 |
| 3,357,066 A * | 12/1967 | Moritz | | 403/211 |
| 3,373,529 A * | 3/1968 | Ingham | | 49/381 |
| 3,658,319 A * | 4/1972 | Glaser | | 271/100 |
| D231,097 S * | 4/1974 | Vogeltanz | | D22/149 |
| D243,580 S * | 3/1977 | DeCaro | | D8/388 |
| 4,339,971 A * | 7/1982 | Zatorre | | 81/436 |

Related U.S. Application Data

(62) Division of application No. 29/283,133, filed on Aug. 7, 2007, now Pat. No. Des. 570,209.

Foreign Application Priority Data

| | | | |
|---------------|------|-------|--------------|
| Feb. 7, 2007 | (EM) | | 667 167-0014 |
| Feb. 7, 2007 | (EM) | | 667 167-0015 |
| Feb. 7, 2007 | (EM) | | 667 167-0016 |
| Feb. 7, 2007 | (EM) | | 667 167-0017 |
| Feb. 7, 2007 | (EM) | | 667 167-0018 |
| Feb. 7, 2007 | (EM) | | 667 167-0020 |
| Feb. 7, 2007 | (EM) | | 667 167-0022 |
| Feb. 7, 2007 | (EM) | | 667 167-0023 |
| Feb. 7, 2007 | (EM) | | 667 167-0024 |
| Feb. 7, 2007 | (EM) | | 667 167-0025 |
| Mar. 13, 2007 | (EM) | | 688 114-0001 |
| Mar. 13, 2007 | (EM) | | 688 114-0002 |

(51) **LOC (9) Cl.** **15-09**

(52) **U.S. Cl.** **D15/143**

(58) **Field of Classification Search** D8/382-399, D8/499; D15/143; 81/436; 242/570, 598, 242/598.2, 422.4-423.2; 411/378, 379, 382, 411/542, 403; D22/108-110; D21/484-505, D21/387; D18/56; D19/46

See application file for complete search history.

(56) **References Cited**

U.S. PATENT DOCUMENTS

D22,813 S * 9/1893 Rouse D8/397

(Continued)

Primary Examiner—Cathron C Brooks

Assistant Examiner—Barbara Fox

(74) *Attorney, Agent, or Firm*—Laurence A. Greenberg; Werner H. Stemer; Ralph E. Locher

(57) **CLAIM**

The ornamental design for a combined journal bearing and bearing pin for a carrier for paper rolls, as shown and described.

DESCRIPTION

FIG. 1 is a side elevation of a combined journal bearing and bearing pin for a carrier for paper rolls showing my new design.

FIG. 2 is a side elevation thereof, rotated about 90 degrees relative to FIG. 1;

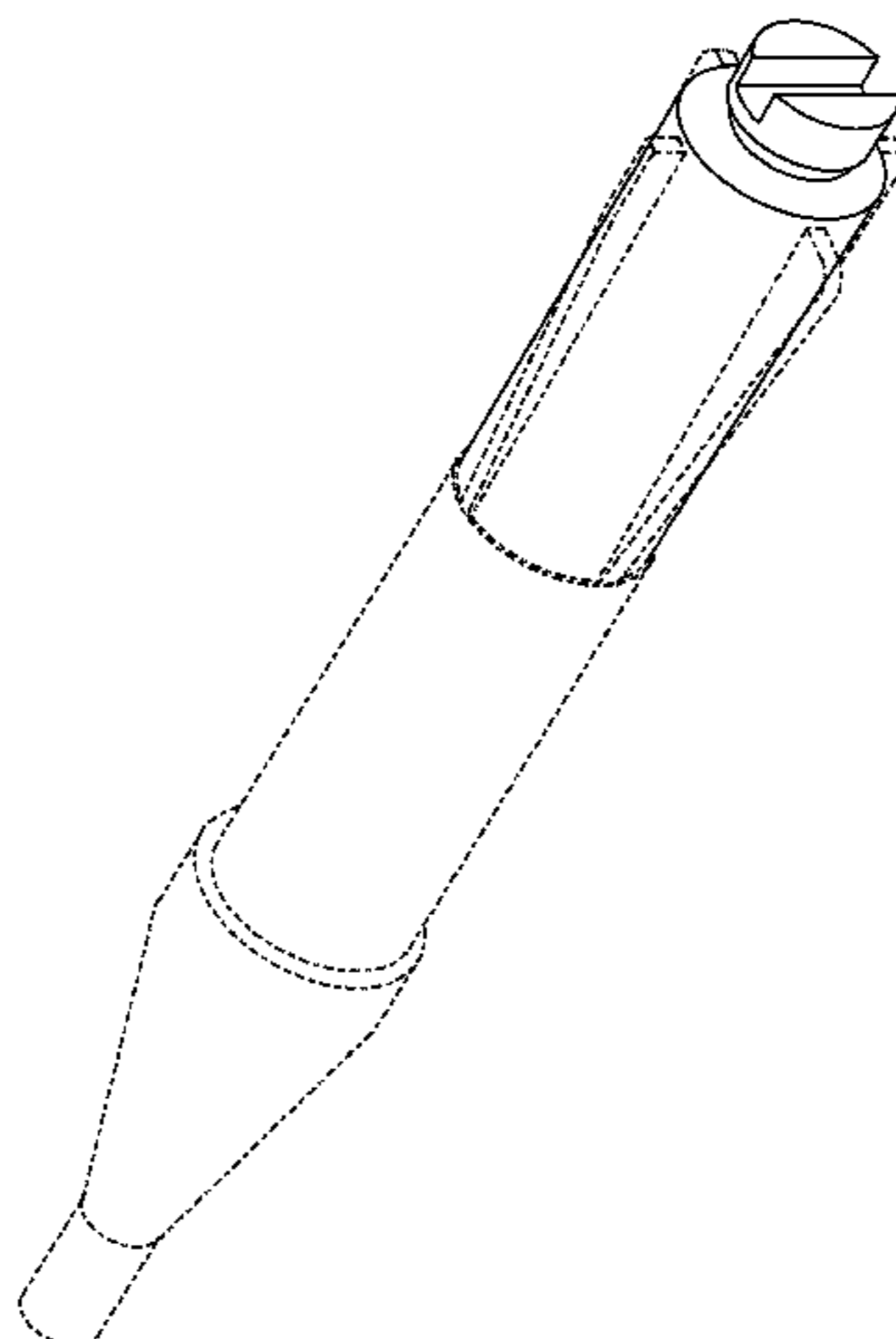
FIG. 3 is a perspective view thereof;

FIG. 4 is an end view thereof; and,

FIG. 5 is an end view of the opposite side thereof.

The broken lines shown in the drawings are for the purpose of illustrating unclaimed portions of the combined journal bearing and bearing pin for a carrier for paper rolls, and form no part of the claimed design.

1 Claim, 2 Drawing Sheets



US D612,407 S

Page 2

U.S. PATENT DOCUMENTS

| | | | | | | | | | | | | | |
|-----------|---|---|---------|------------------|-------|---------|--------------|----|---|---------|-------------------|-------|-----------|
| D268,393 | S | * | 3/1983 | Fron | | D8/385 | 6,068,210 | A | * | 5/2000 | Risa | | 242/532.5 |
| 4,482,278 | A | * | 11/1984 | Dorn | | 411/377 | D434,291 | S | * | 11/2000 | Kim | | D8/21 |
| D281,141 | S | * | 10/1985 | Butler et al. | | D8/98 | 6,234,053 | B1 | * | 5/2001 | Olsen et al. | | 83/88 |
| 4,598,334 | A | * | 7/1986 | Grellmann et al. | | 361/290 | D461,709 | S | * | 8/2002 | Gallmeyer | | D8/389 |
| D303,494 | S | * | 9/1989 | Lange | | D8/387 | D470,039 | S | * | 2/2003 | Pelc | | D8/382 |
| 5,159,782 | A | * | 11/1992 | Sales | | 49/380 | D483,253 | S | * | 12/2003 | Sayegh et al. | | D8/388 |
| D377,532 | S | * | 1/1997 | Lin | | D25/113 | D543,446 | S | * | 5/2007 | DiNenna | | D8/387 |
| 5,593,194 | A | * | 1/1997 | Liau | | 292/340 | D545,184 | S | * | 6/2007 | Hanamura | | D8/397 |
| 5,725,321 | A | * | 3/1998 | Brannan et al. | | 400/708 | 7,290,733 | B2 | * | 11/2007 | Kamenstein et al. | | 242/598.2 |
| D397,607 | S | * | 9/1998 | Lawson | | D8/397 | D562,411 | S | * | 2/2008 | Jones et al. | | D21/387 |
| D422,897 | S | * | 4/2000 | Blackwell | | D8/388 | 2007/0193419 | A1 | * | 8/2007 | Melton | | 81/436 |
| D425,123 | S | * | 5/2000 | Creamer | | D19/54 | 2008/0121750 | A1 | * | 5/2008 | Hagleitner | | 242/560 |

* cited by examiner

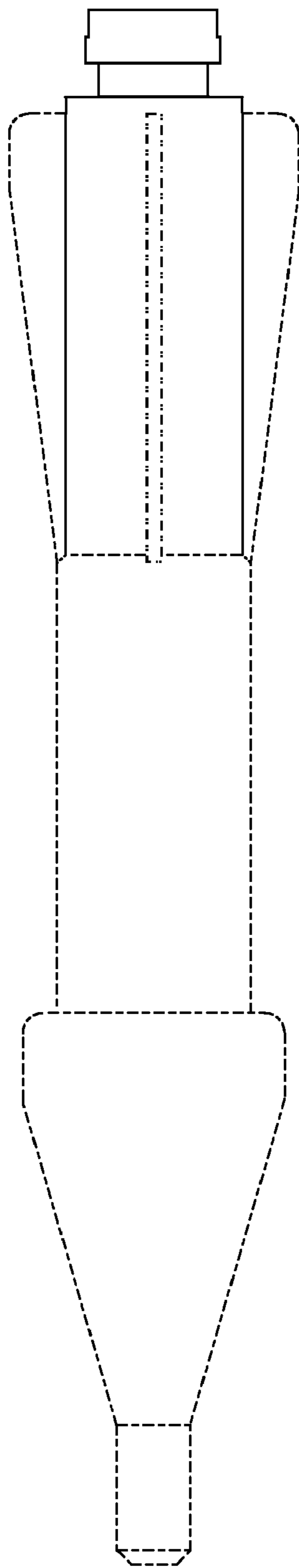


Fig. 1

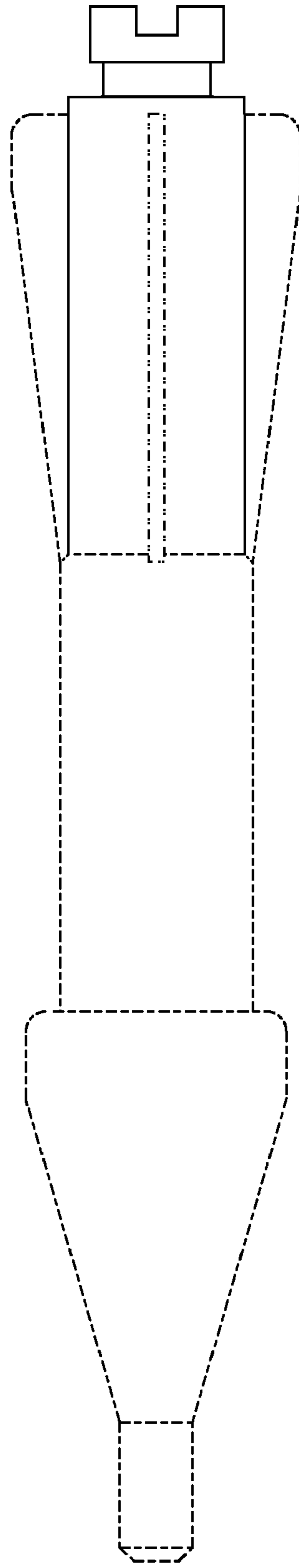


Fig. 2

Fig. 4

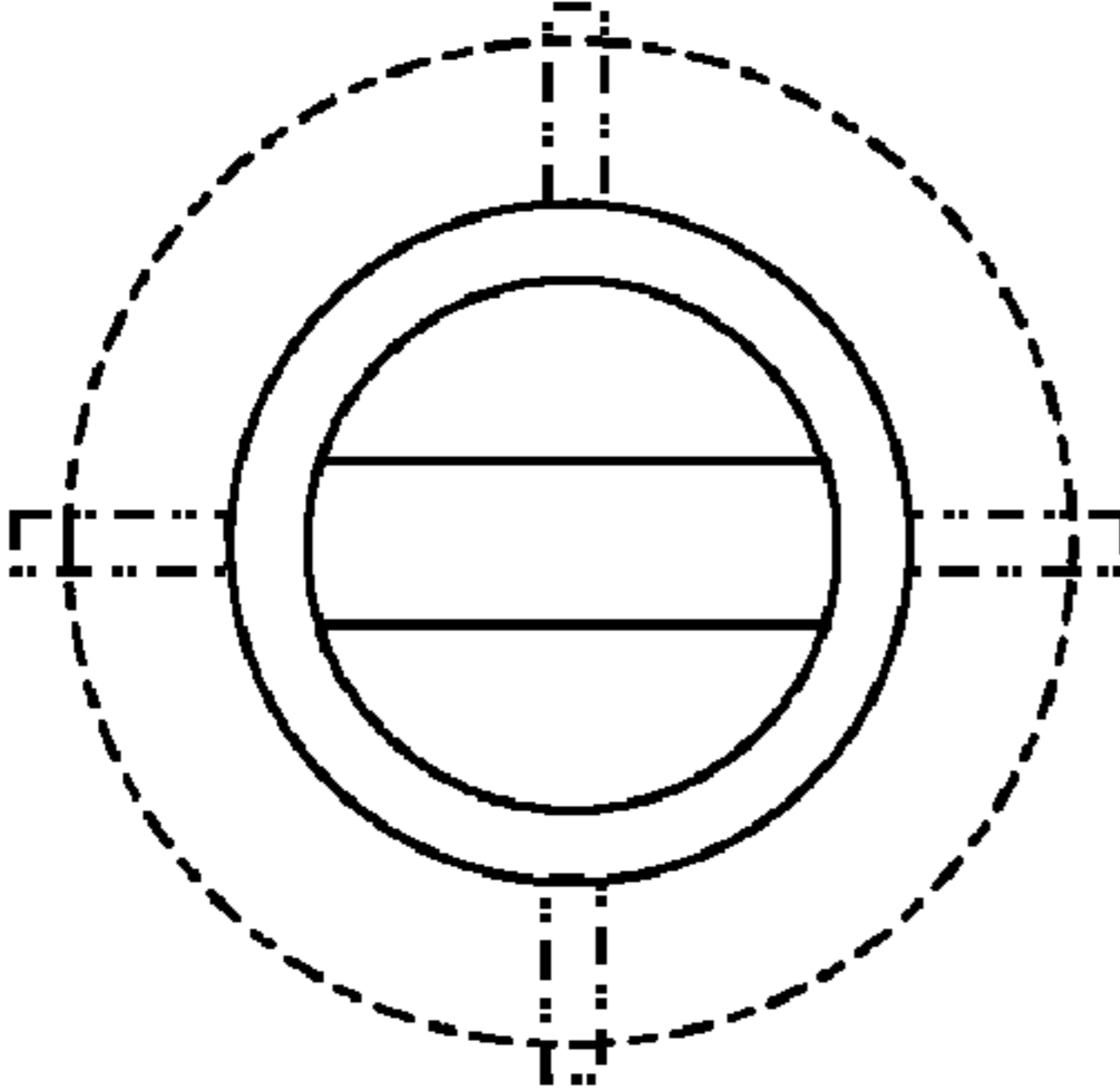


Fig. 3

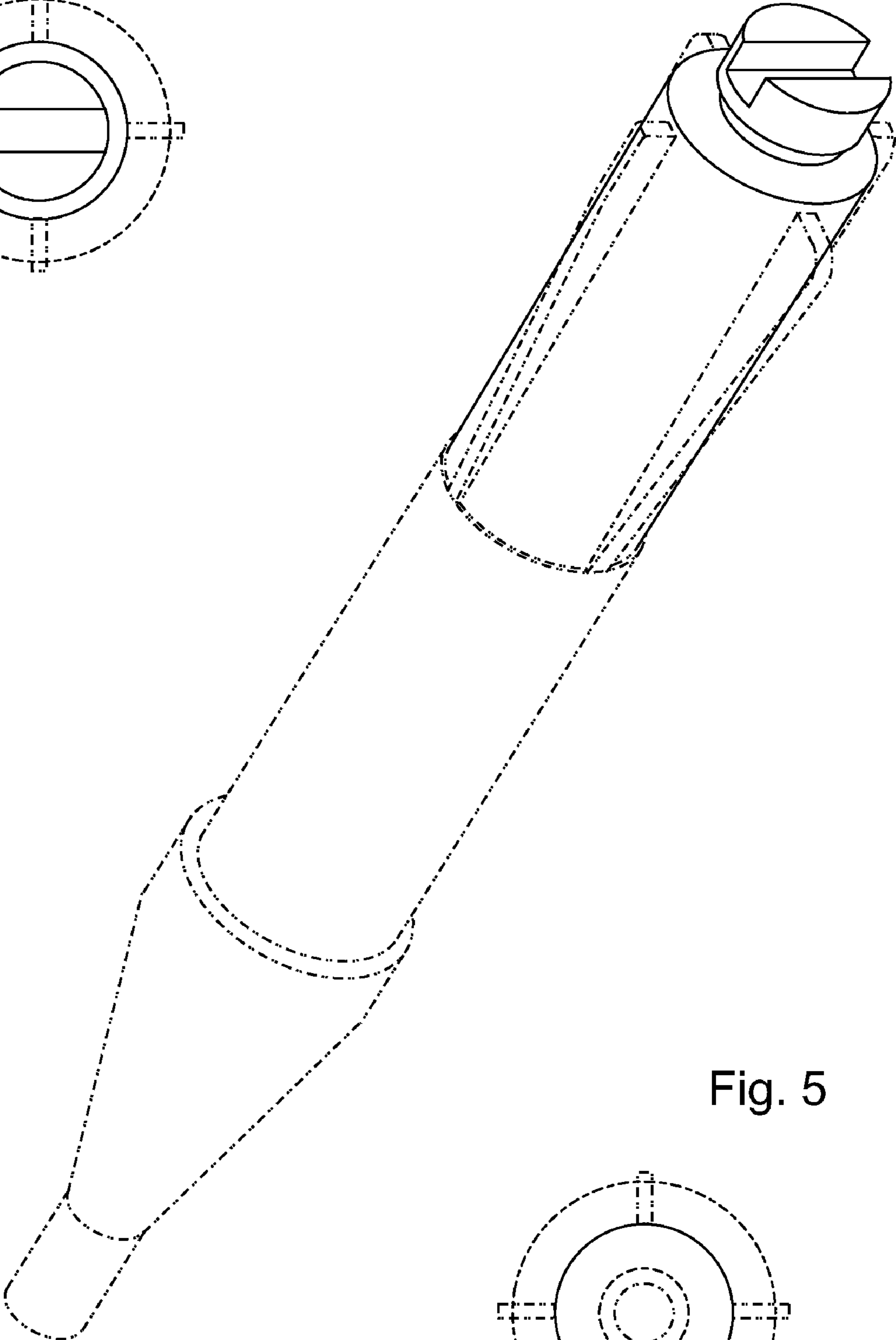


Fig. 5

