



US00D612405S

(12) **United States Design Patent**
Eicher

(10) **Patent No.:** **US D612,405 S**
(45) **Date of Patent:** **** Mar. 23, 2010**

(54) **GLASS REFRIGERATOR SHELF**
(75) Inventor: **Max Eicher**, München (DE)
(73) Assignee: **BSH Bosch und Siemens Hausgeraete GmbH**, Munich (DE)

D515,599 S * 2/2006 Vardon D15/89
D550,727 S * 9/2007 Vardon D15/91
D568,344 S * 5/2008 Baacke et al. D15/89
D577,744 S * 9/2008 Baacke et al. D15/89
2003/0222043 A1 * 12/2003 Rouch et al. 211/153

(**) Term: **14 Years**
(21) Appl. No.: **29/336,514**
(22) Filed: **May 5, 2009**

* cited by examiner

Primary Examiner—Stella M Reid
Assistant Examiner—Shanda C Hill
(74) *Attorney, Agent, or Firm*—James E. Howard; Andre Pallapies

(30) **Foreign Application Priority Data**
Nov. 6, 2008 (CN) 2008 3 0298260

(57) **CLAIM**

The ornamental design for a glass refrigerator shelf, as shown and described.

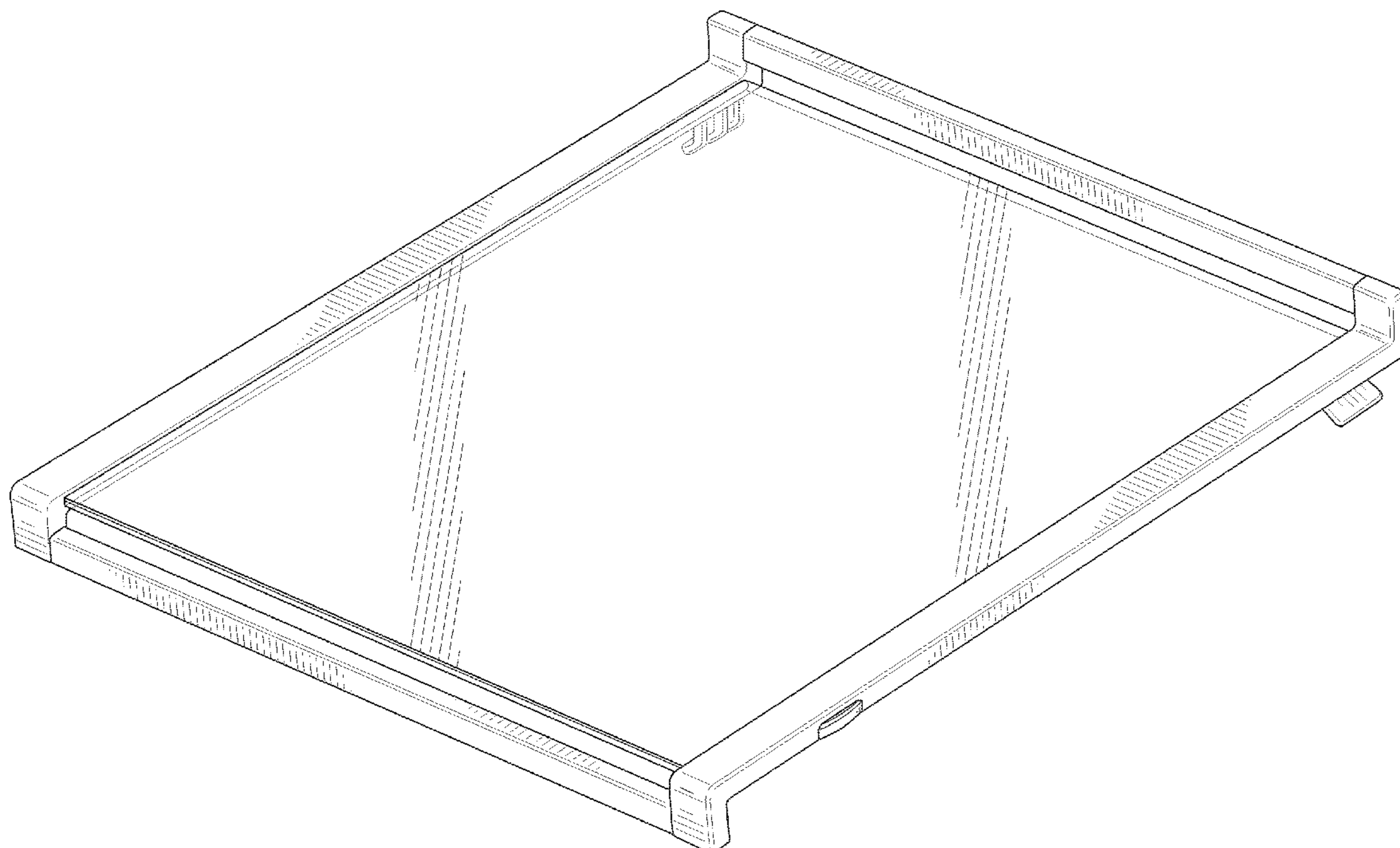
(51) **LOC (9) Cl.** **15-07**
(52) **U.S. Cl.** **D15/89**
(58) **Field of Classification Search** D15/79,
D15/85, 89; 62/3.6, 246–255, 337, 440–449,
62/457; 312/116, 400–408; 248/250; 211/153;
29/151; 428/122
See application file for complete search history.

DESCRIPTION

FIG. 1 is a top view of a glass refrigerator shelf showing my new design;
FIG. 2 is a right side view thereof, the left side view being the same;
FIG. 3 is a front view thereof;
FIG. 4 is a rear view thereof;
FIG. 5 is a bottom view thereof; and,
FIG. 6 is a perspective view thereof.
The broken lines shown in the drawing disclosure are for illustrative purposes only and form no part of the claimed design.

(56) **References Cited**
U.S. PATENT DOCUMENTS
D142,904 S * 11/1945 Paddock D15/89
D309,461 S * 7/1990 Bussan et al. D15/89
5,332,611 A * 7/1994 Shanok et al. 428/122
5,677,030 A * 10/1997 Shanok et al. 428/122
6,105,233 A * 8/2000 Neal 29/451
D495,720 S * 9/2004 Avalos Barcenas et al. .. D15/89
D515,598 S * 2/2006 Vardon D15/89

1 Claim, 5 Drawing Sheets



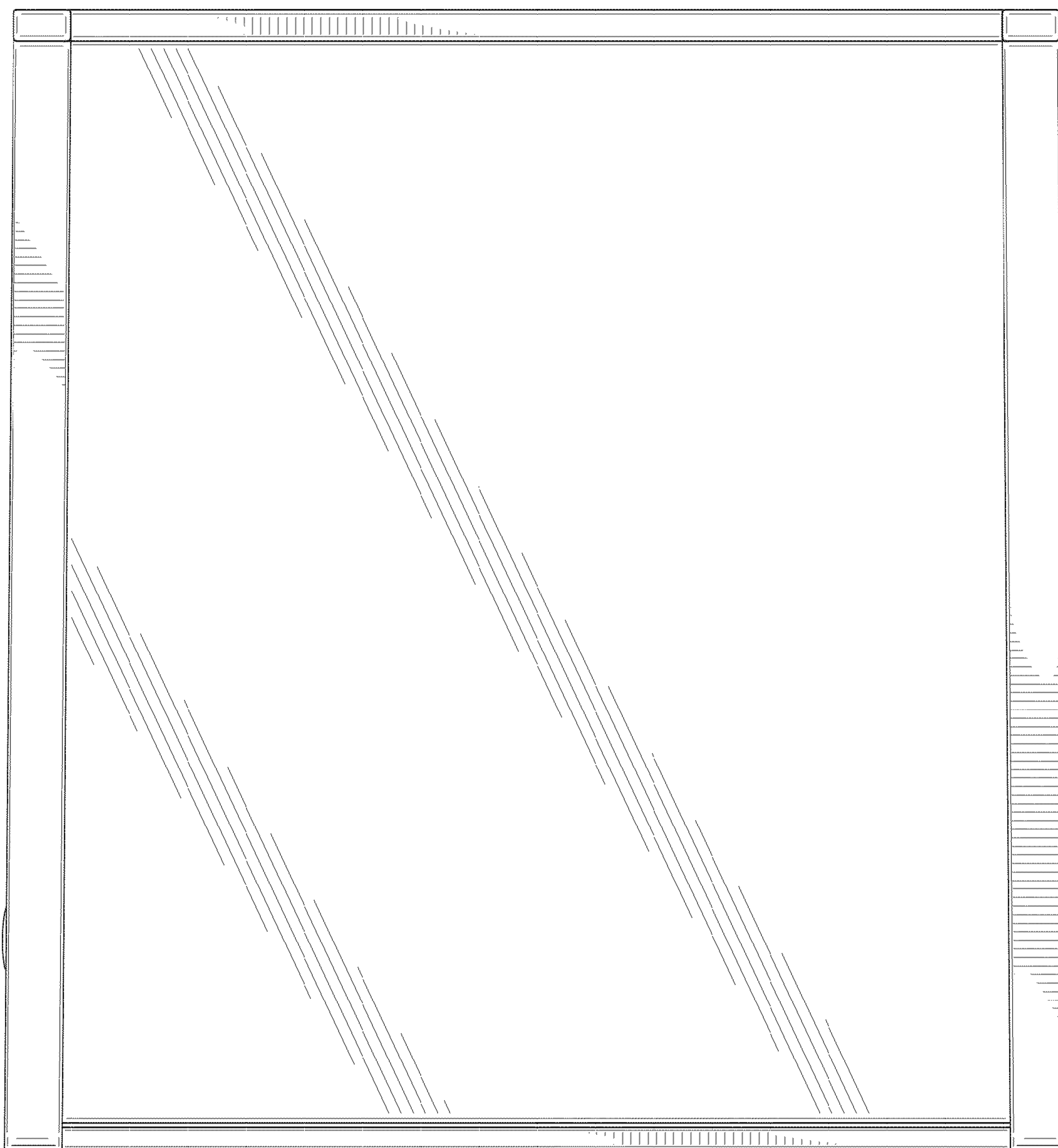


FIG. 1

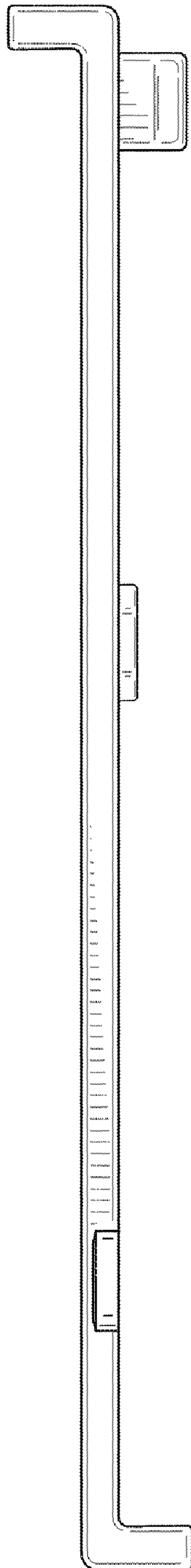


FIG. 2

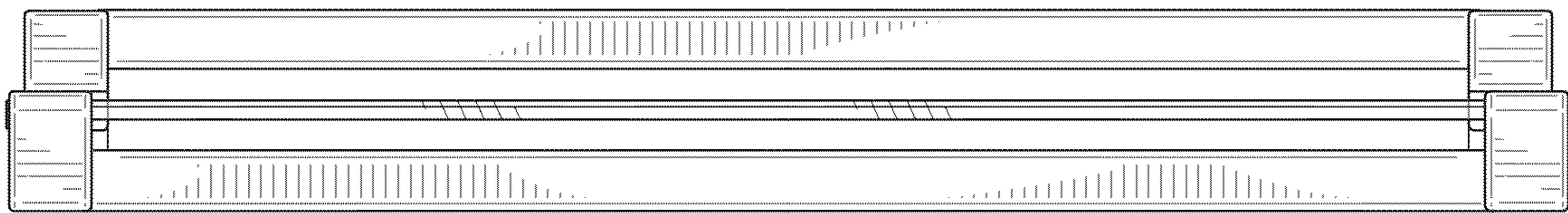


FIG. 3

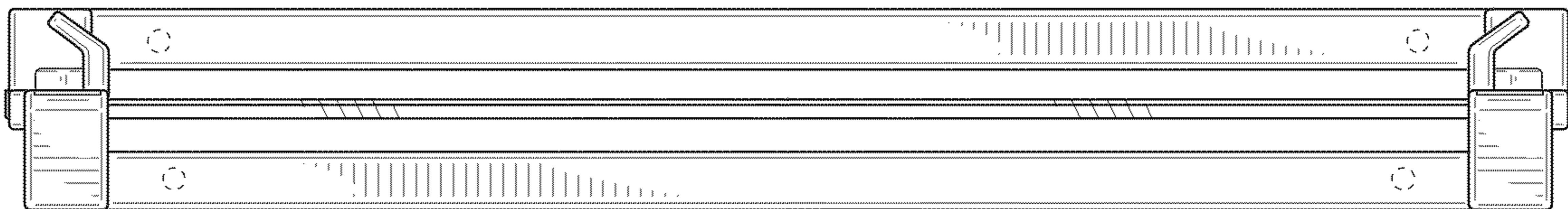


FIG. 4

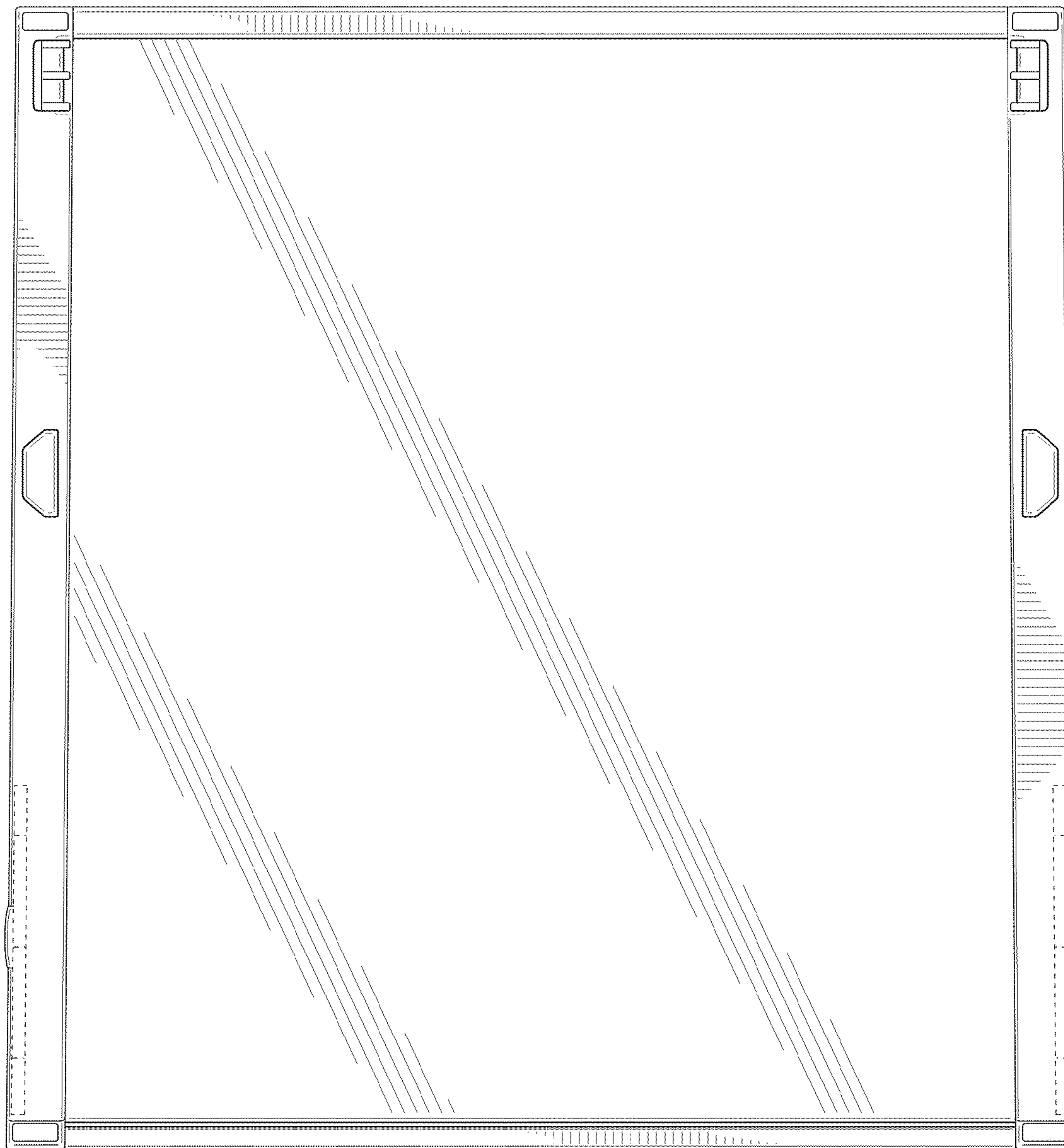


FIG. 5

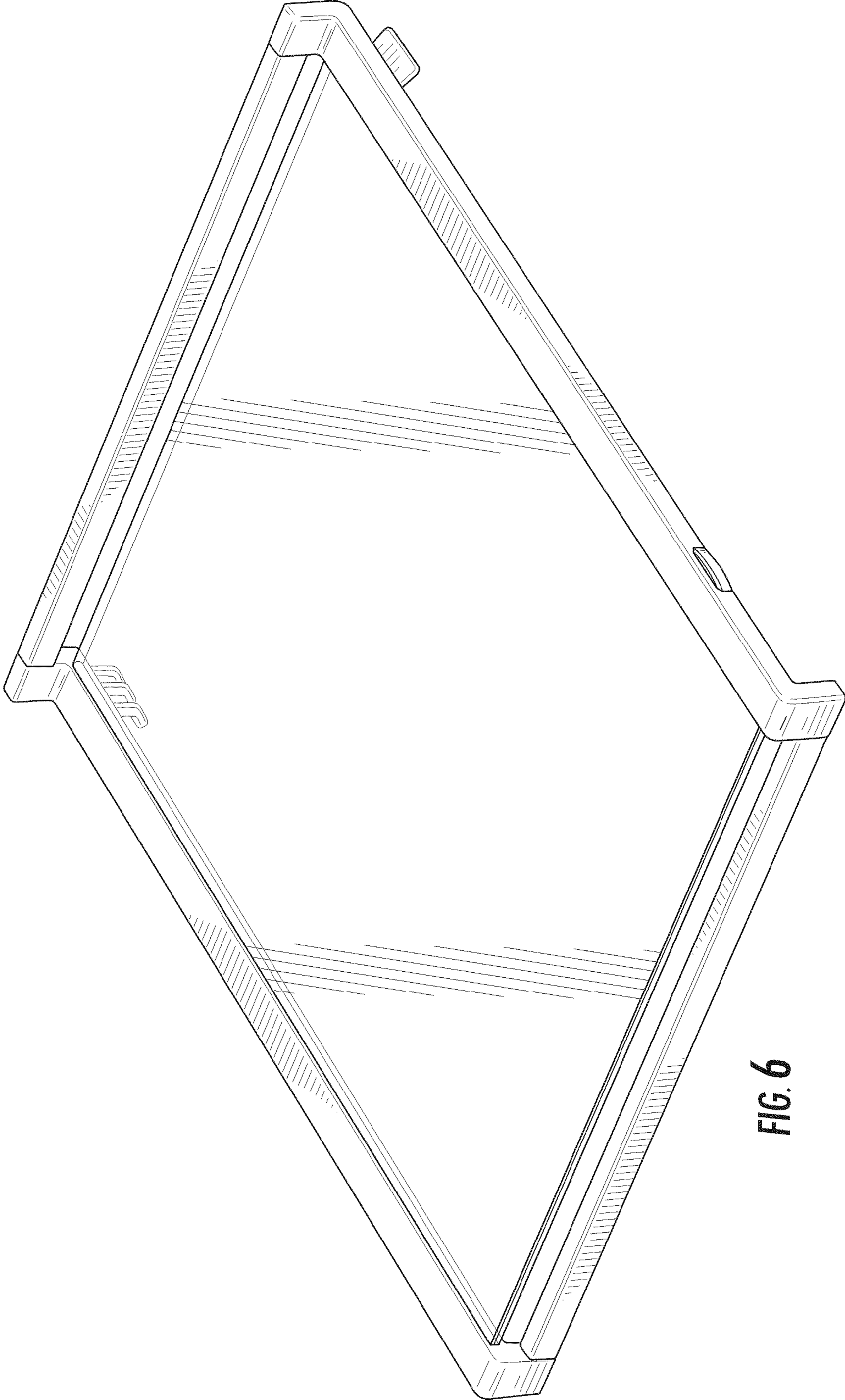


FIG. 6