



US00D612404S

(12) **United States Design Patent**
Picken et al.

(10) **Patent No.:** **US D612,404 S**
(45) **Date of Patent:** **** Mar. 23, 2010**

(54) **REFRIGERATOR SHELF**

(75) Inventors: **Alan D. Picken**, Manitou Beach, MI (US); **John Brownlow**, Grand Rapids, MI (US)

(73) Assignee: **Clarion Technologies, Inc.**, Greenville, MI (US)

(**) Term: **14 Years**

(21) Appl. No.: **29/318,827**

(22) Filed: **May 29, 2008**

Related U.S. Application Data

(63) Continuation-in-part of application No. 11/577,147, filed as application No. PCT/US2005/036992 on Oct. 13, 2005.

(51) **LOC (9) Cl.** **15-07**

(52) **U.S. Cl.** **D15/89**

(58) **Field of Classification Search** D15/79, D15/85, 89; 62/3.6, 246-255, 337, 440-449, 62/457; 312/116, 400-408; 248/250; 211/153
See application file for complete search history.

(56) **References Cited**

U.S. PATENT DOCUMENTS

D515,598 S *	2/2006	Vardon	D15/89
D515,599 S *	2/2006	Vardon	D15/89
D516,101 S *	2/2006	Vardon	D15/89
D557,293 S *	12/2007	Vardon	D15/89
D559,280 S *	1/2008	Vardon	D15/89
D559,281 S *	1/2008	Vardon	D15/89
D559,282 S *	1/2008	Vardon	D15/89
2005/0017143 A1 *	1/2005	Bronsink et al.	248/250

* cited by examiner

Primary Examiner—Stella M Reid

Assistant Examiner—Shanda C Hill

(74) *Attorney, Agent, or Firm*—Van Dyke, Gardner, Linn & Burkhardt, LLP

(57) **CLAIM**

The ornamental design for a refrigerator shelf, as shown and described.

DESCRIPTION

FIG. 1 is a front perspective view of a refrigerator shelf showing our new design;

FIG. 2 is a front perspective view of the refrigerator shelf of FIG. 1;

FIG. 3 is a top plan view of the refrigerator shelf of FIG. 2;

FIG. 4 is a bottom plan view of the refrigerator shelf of FIG. 2;

FIG. 5 is a left-side elevation view of the refrigerator shelf of FIG. 3;

FIG. 6 is a right-side elevation view of the refrigerator shelf of FIG. 3;

FIG. 7 is a front elevation view of the refrigerator shelf of FIG. 3;

FIG. 8 is a rear elevation view of the refrigerator shelf of FIG. 3;

FIG. 9 is a front perspective view of another embodiment of the refrigerator shelf of the present invention;

FIG. 10 is a top plan view of the refrigerator shelf of FIG. 9;

FIG. 11 is a bottom plan view of the refrigerator shelf of FIG. 9;

FIG. 12 is a left-side elevation view of the refrigerator shelf of FIG. 10;

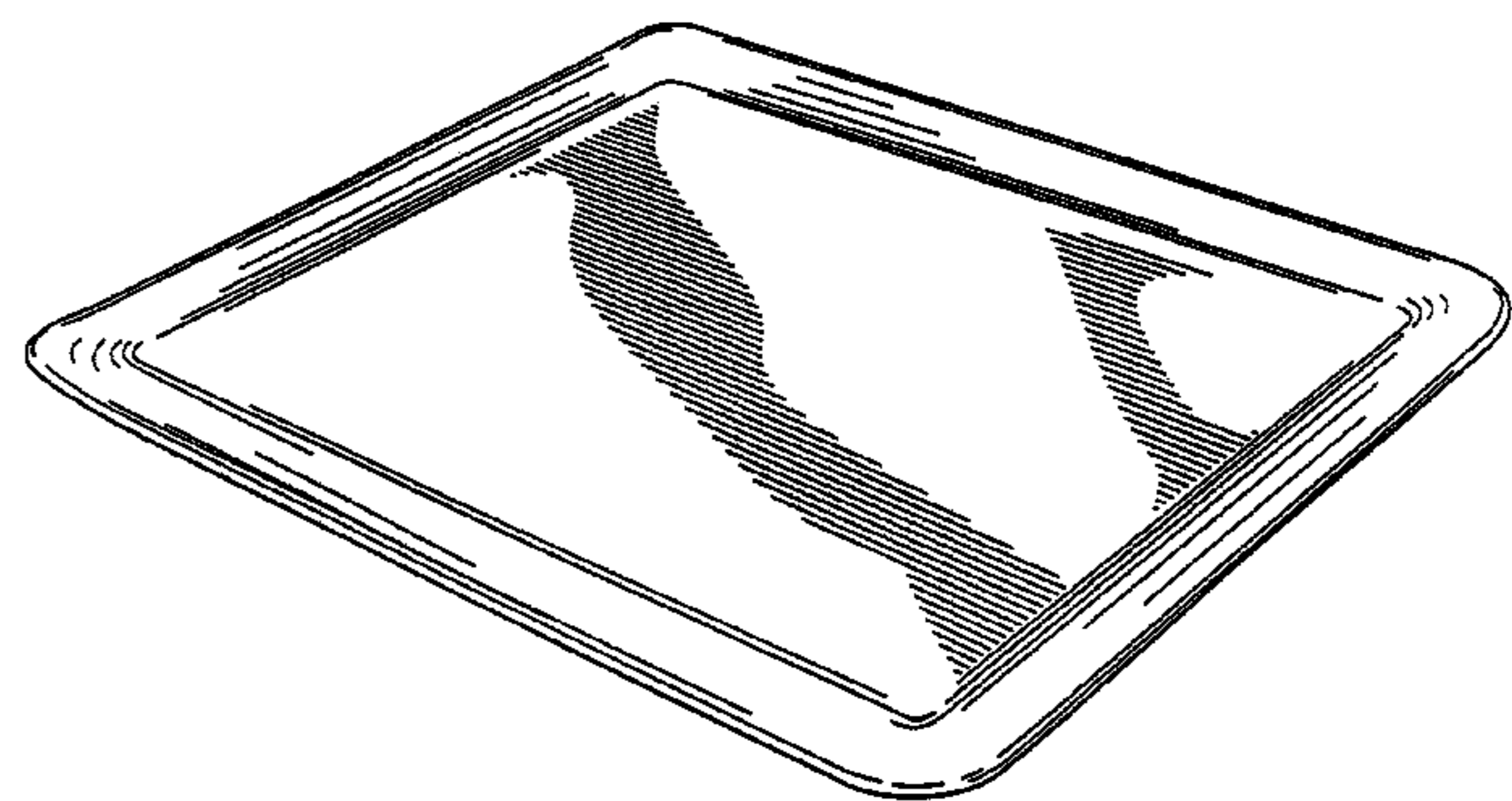
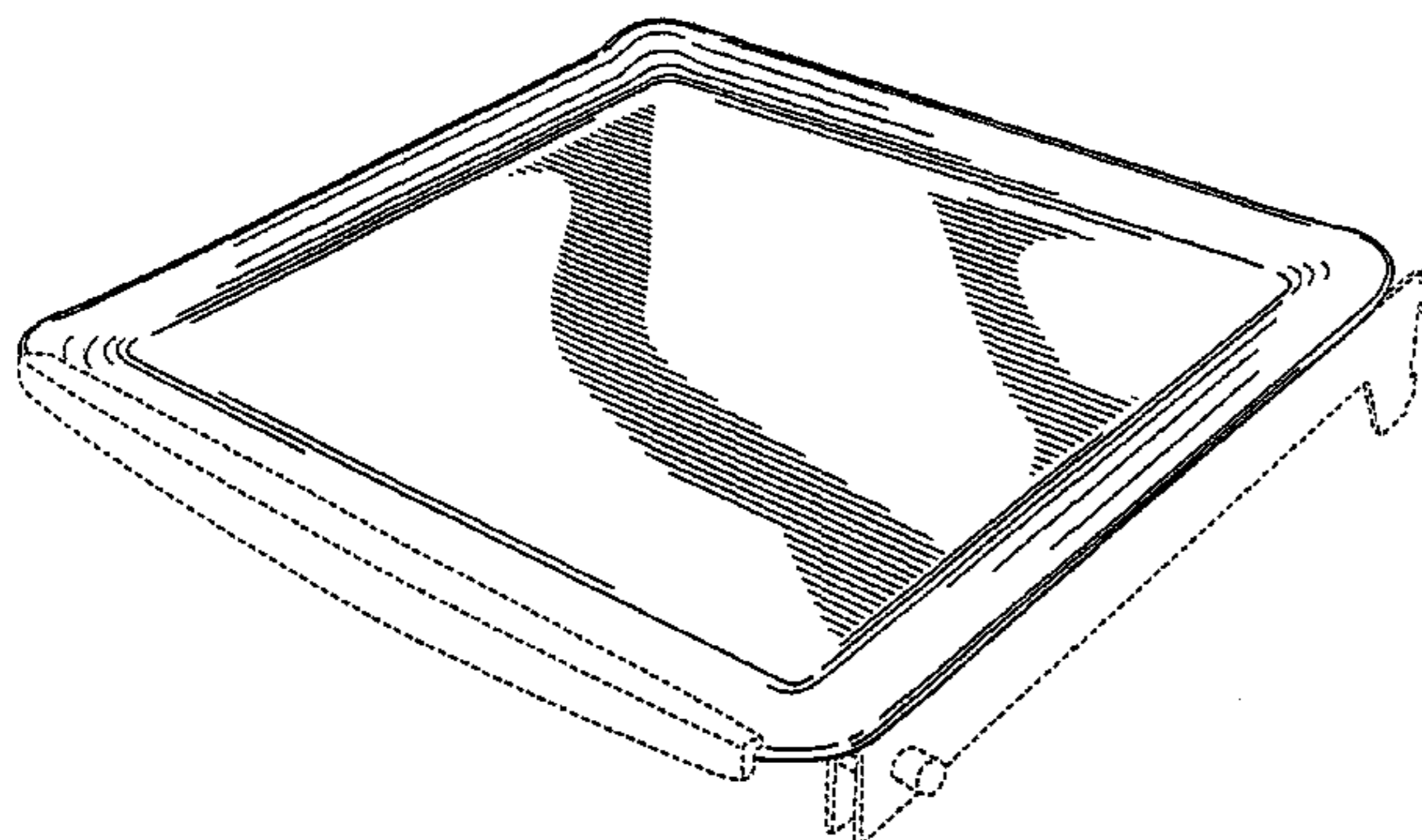
FIG. 13 is a right-side elevation view of the refrigerator shelf of FIG. 10;

FIG. 14 is a front elevation view of the refrigerator shelf of FIG. 10; and,

FIG. 15 is a rear elevation view of the refrigerator shelf of FIG. 10.

The broken lines shown in the drawing disclosure are for illustrative purposes only and form no part of the claimed design.

1 Claim, 8 Drawing Sheets



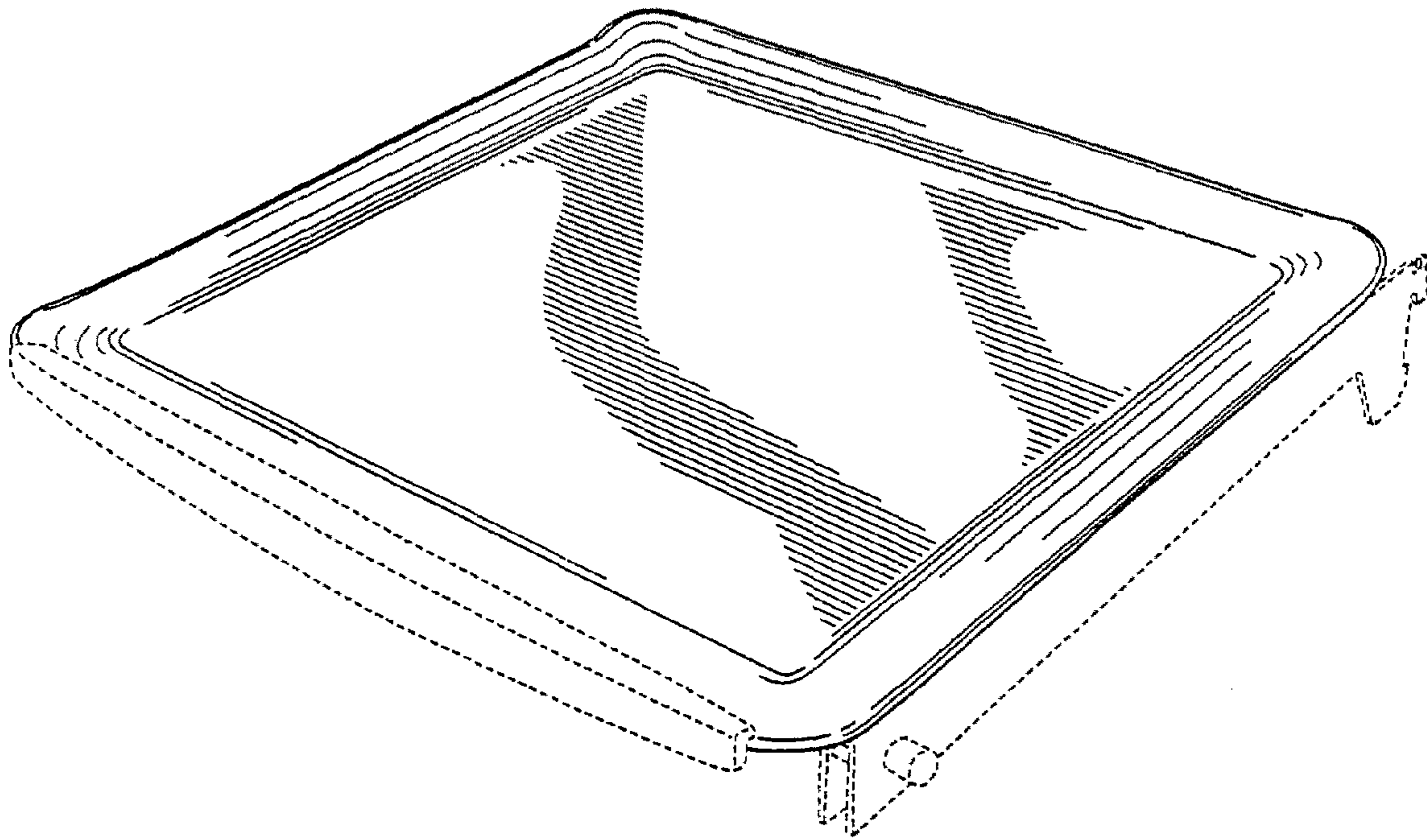


FIG. 1

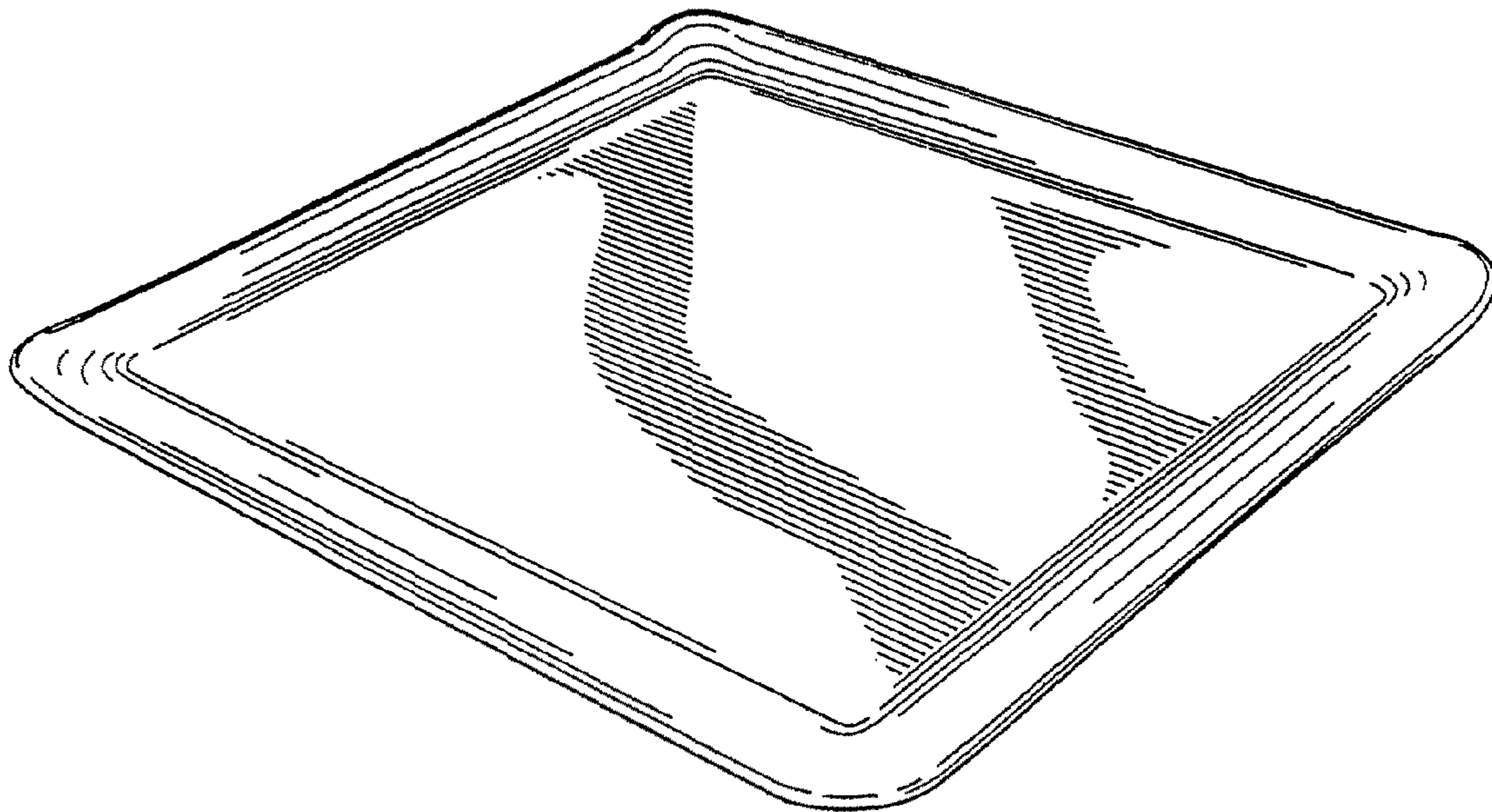


FIG. 2

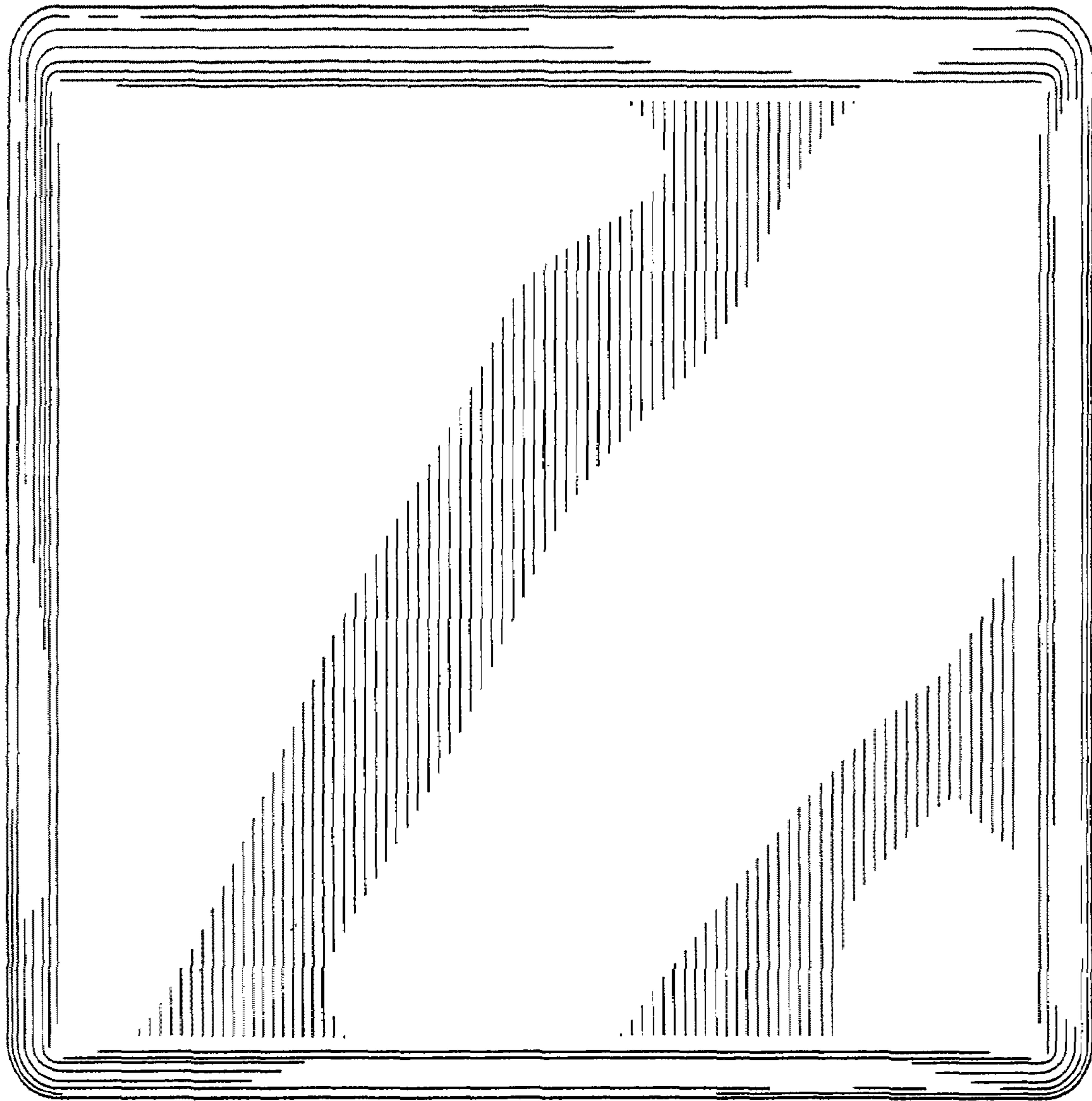


FIG. 3

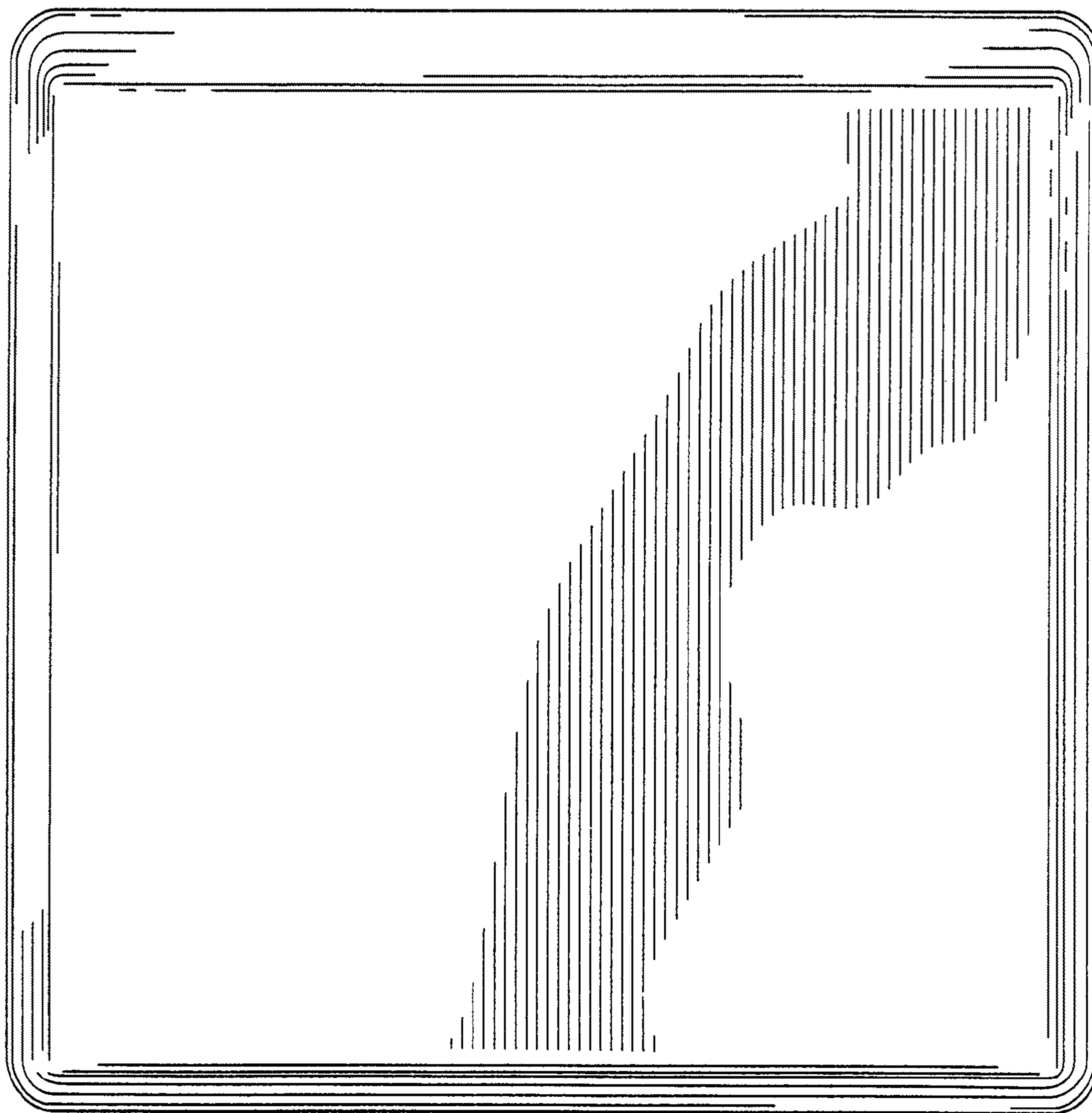


FIG. 4

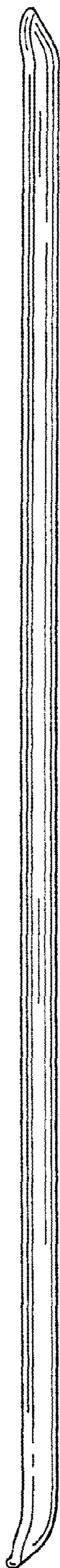


FIG. 5

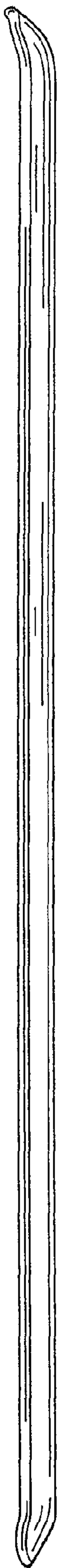


FIG. 6



FIG. 7



FIG. 8

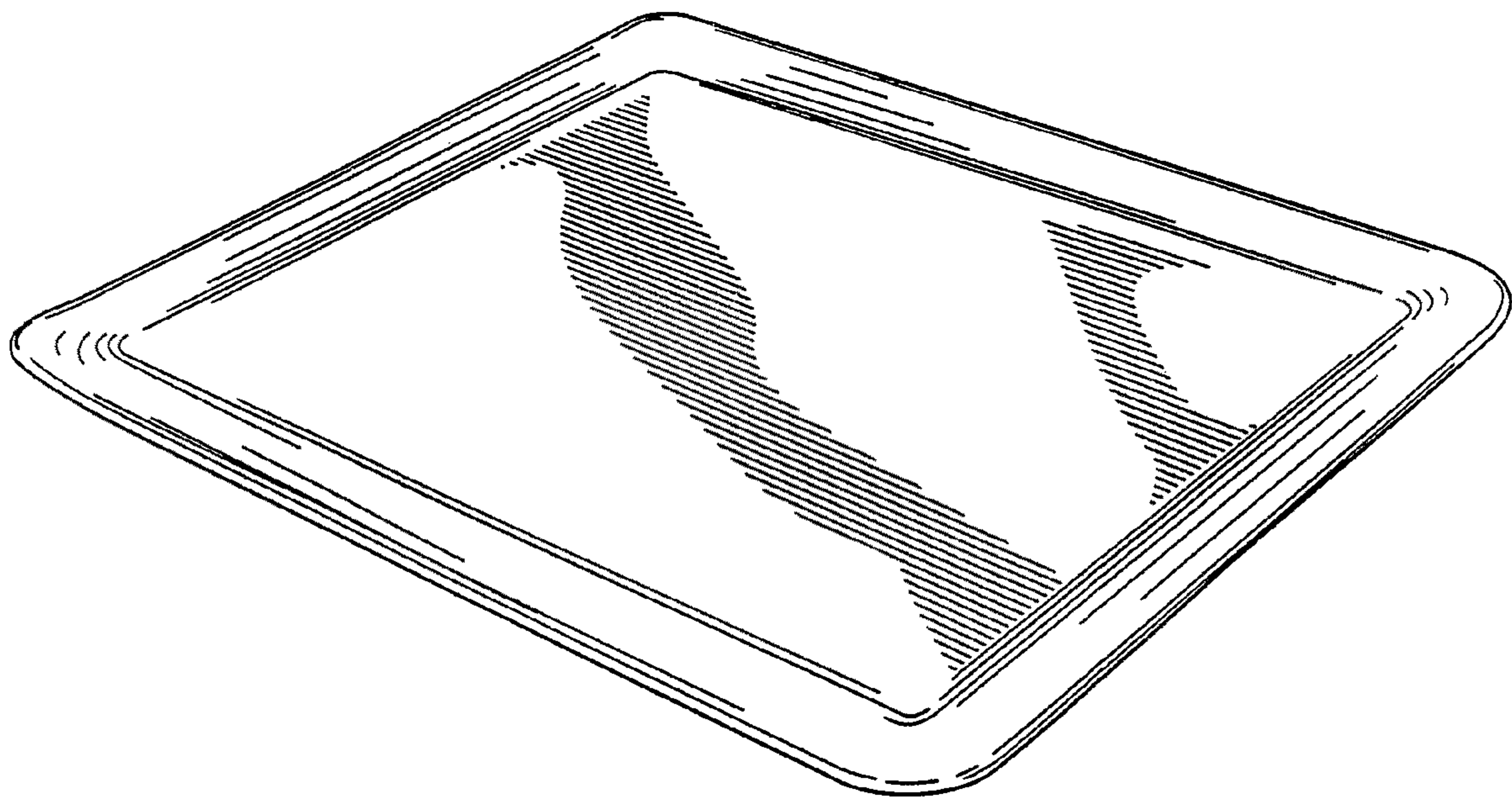


FIG. 9

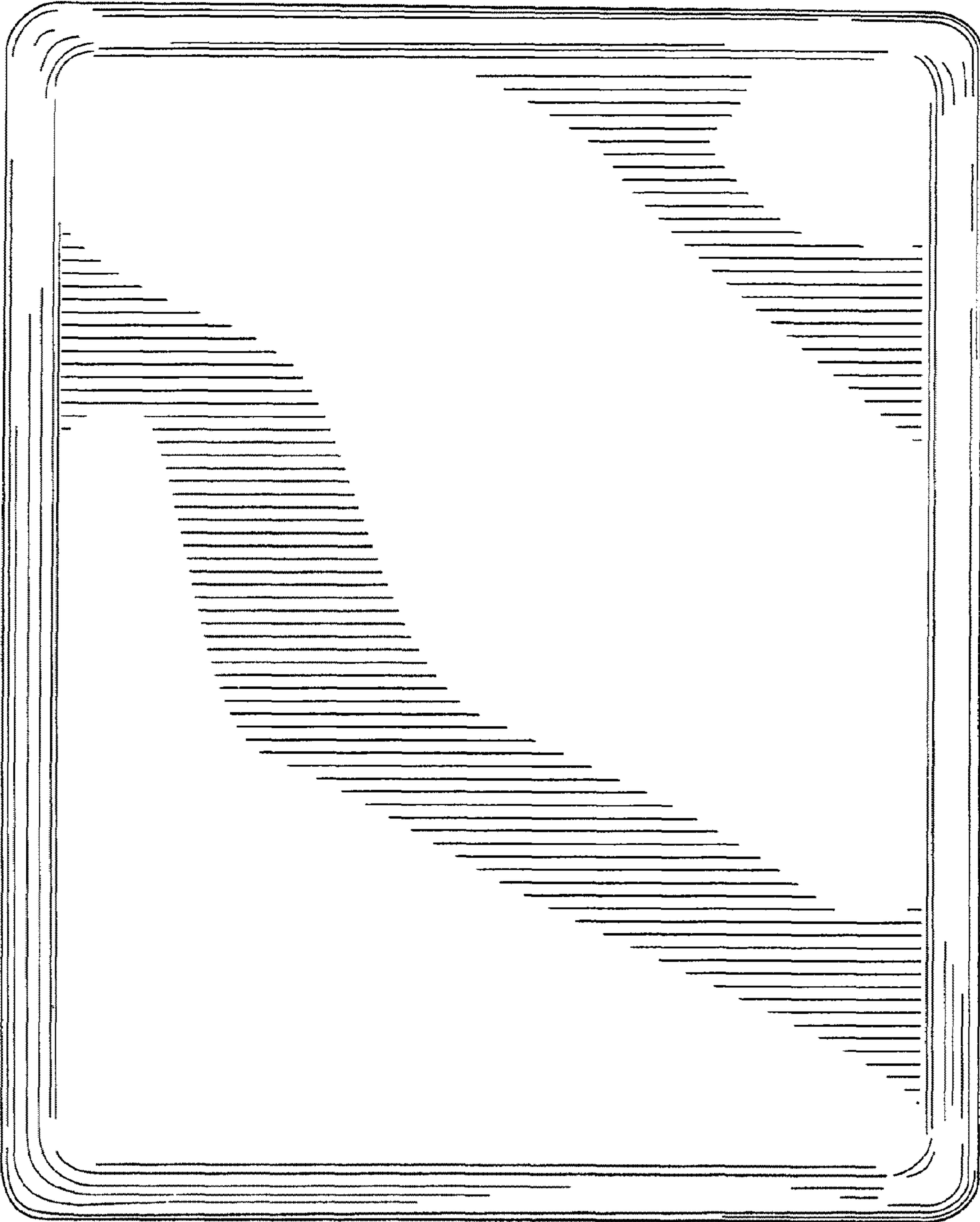


FIG. 10

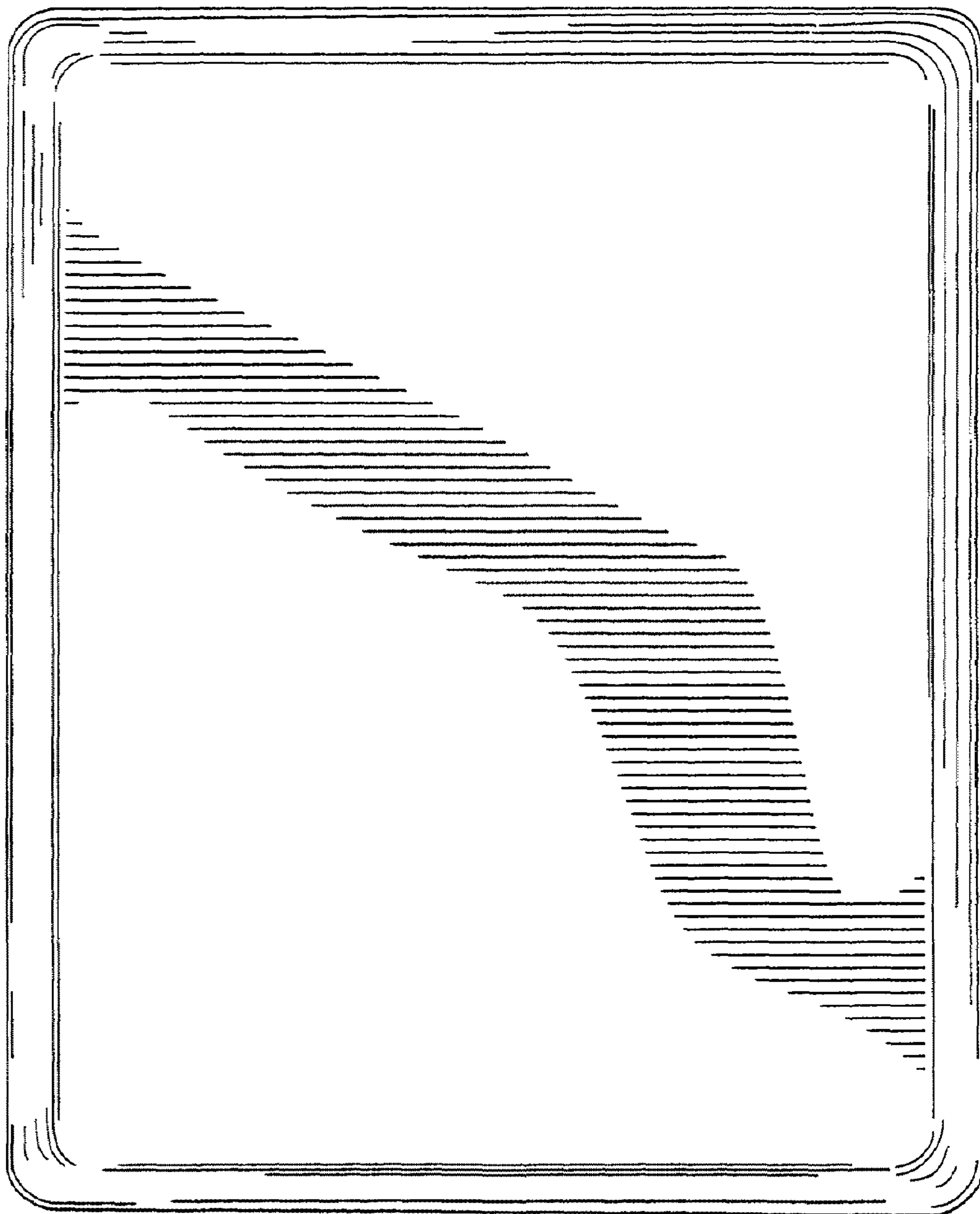


FIG. 11



FIG. 12



FIG. 13



FIG. 14



FIG. 15