



US00D612403S

(12) **United States Design Patent**
Picaza Ibarondo

(10) **Patent No.:** **US D612,403 S**
(45) **Date of Patent:** **** Mar. 23, 2010**

(54) **UNITY FOR THE EMPTYING AND REFILLING OF GASES OF INSTALLATIONS**

Primary Examiner—Antoine D Davis
(74) *Attorney, Agent, or Firm*—Lucas & Mercanti, LLP

(75) **Inventor:** **Jose Ignacio Picaza Ibarondo,**
Abadiano (ES)

(57) **CLAIM**

The ornamental design for a unity for the emptying and refilling of gases of installations, substantially as shown and described.

(73) **Assignee:** **Rothenberger, S.A.,** Abadiano (ES)

(**) **Term:** **14 Years**

DESCRIPTION

(21) **Appl. No.:** **29/281,204**

FIG. 1 is a perspective view of my unity for the emptying and refilling of gases of installations design.

(22) **Filed:** **Jun. 18, 2007**

FIG. 2 is a front view of my unity for the emptying and refilling of gases of installations design;

(51) **LOC (9) Cl.** **15-02**

(52) **U.S. Cl.** **D15/7**

(58) **Field of Classification Search** D15/7,
D15/9; D23/231, 232, 225; 417/410.1, 359,
417/415–416, 234, 321, 265, 405

FIG. 3 is a left-side view of my unity for the emptying and refilling of gases of installations design;

See application file for complete search history.

FIG. 4 is a top view of my unity for the emptying and refilling of gases of installations design;

(56) **References Cited**

U.S. PATENT DOCUMENTS

D296,104 S *	6/1988	Hung	D15/9
D307,017 S *	4/1990	Polk et al.	D15/7
D539,310 S *	3/2007	Matsuoka et al.	D15/9
D573,608 S *	7/2008	Chan et al.	D15/7

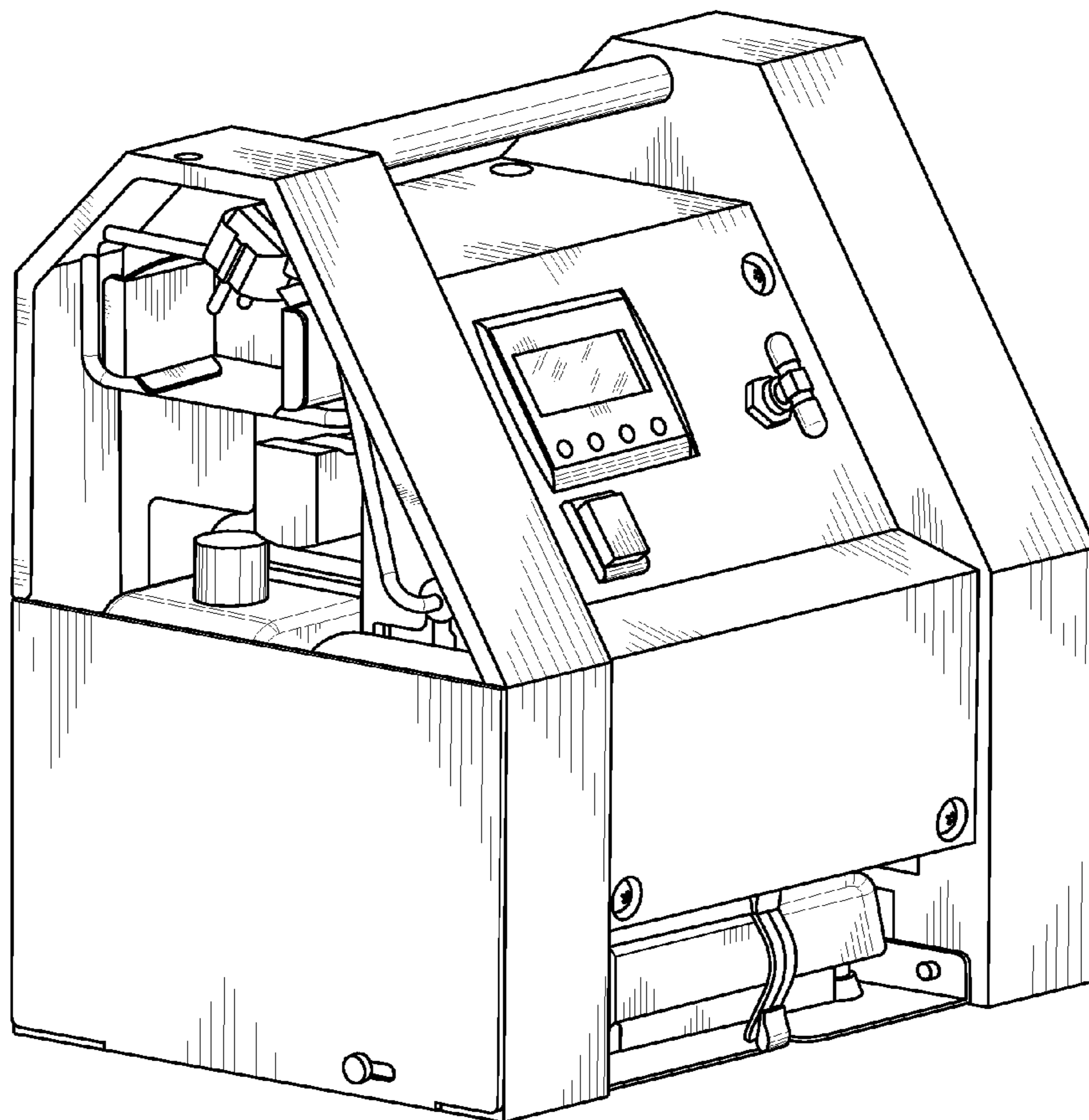
FIG. 5 is a back view of my unity for the emptying and refilling of gases of installations design;

FIG. 6 is a right-side view of my unity for the emptying and refilling of gases of installations design; and,

FIG. 7 is a bottom view of my unity for the emptying and refilling of gases of installations design.

* cited by examiner

1 Claim, 7 Drawing Sheets



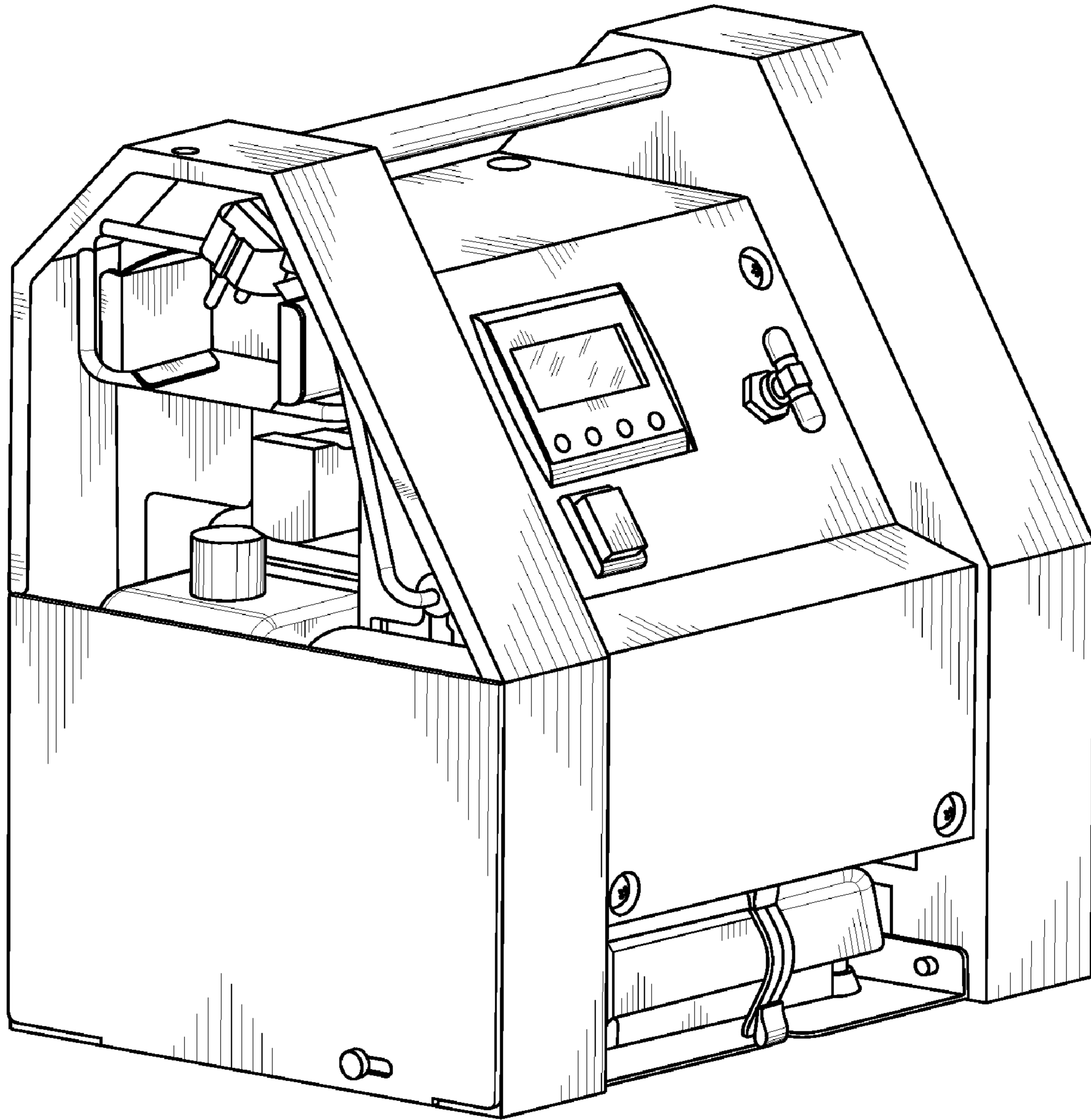


FIG. 1

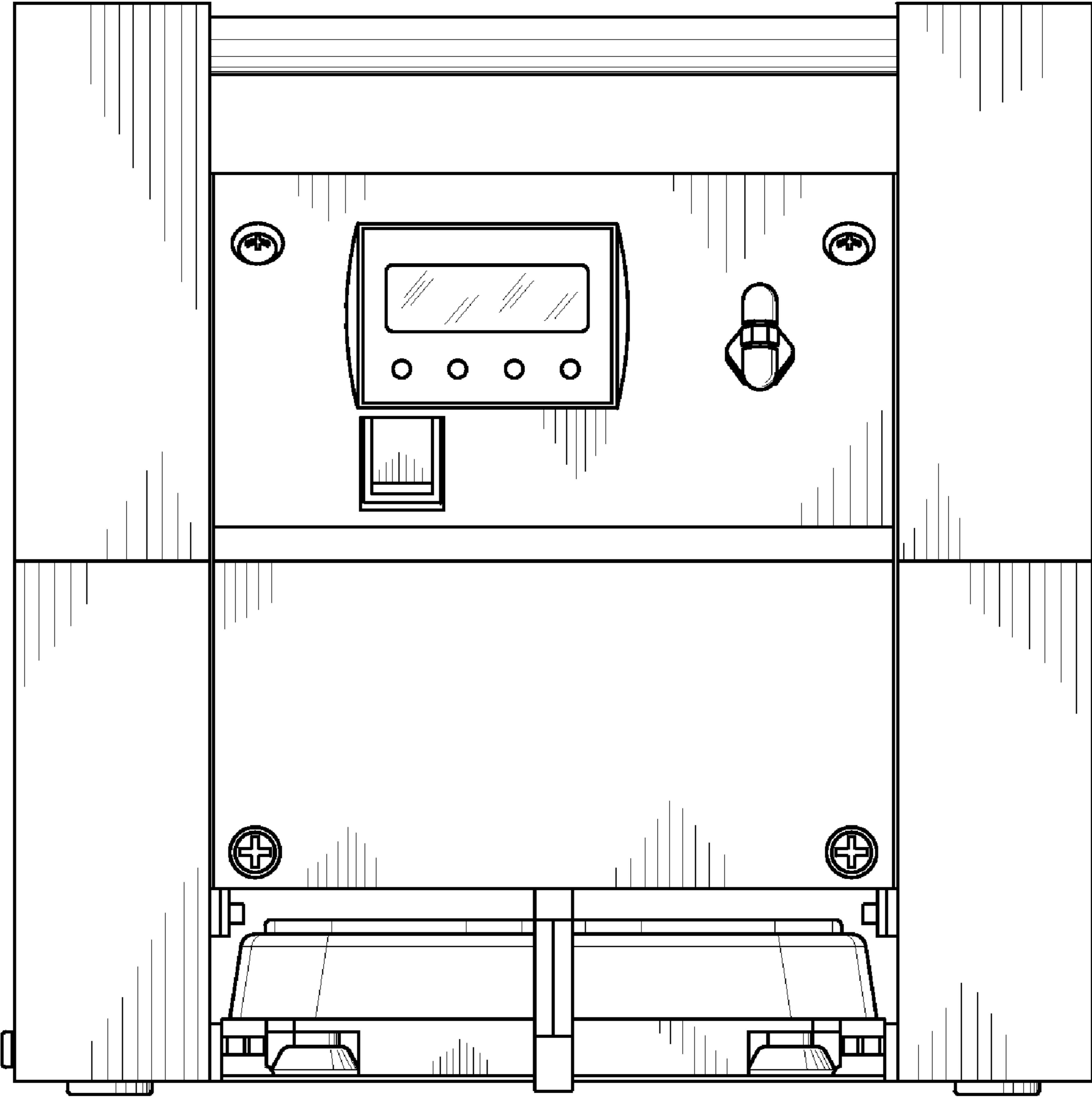


FIG. 2

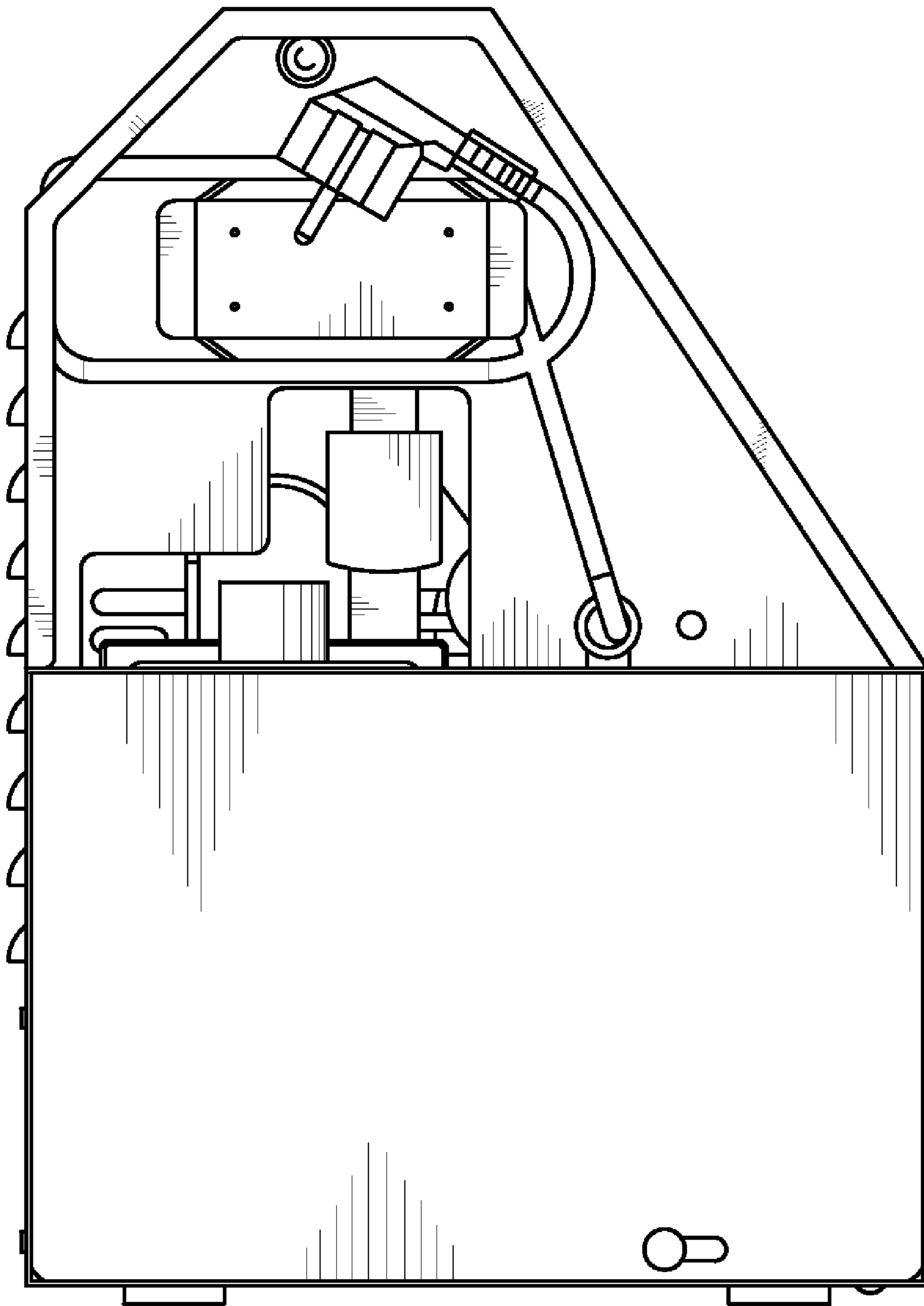


FIG. 3

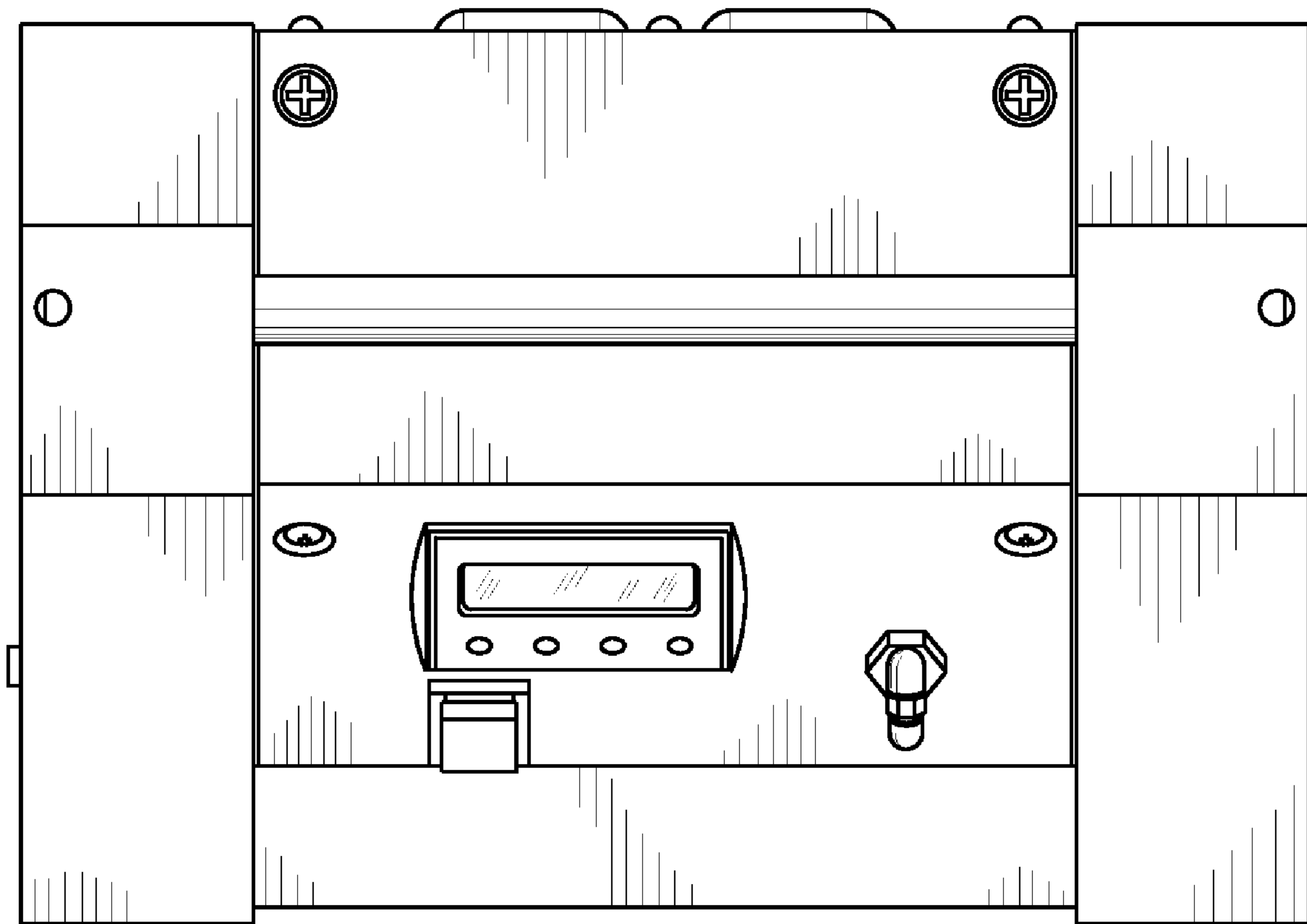


FIG. 4

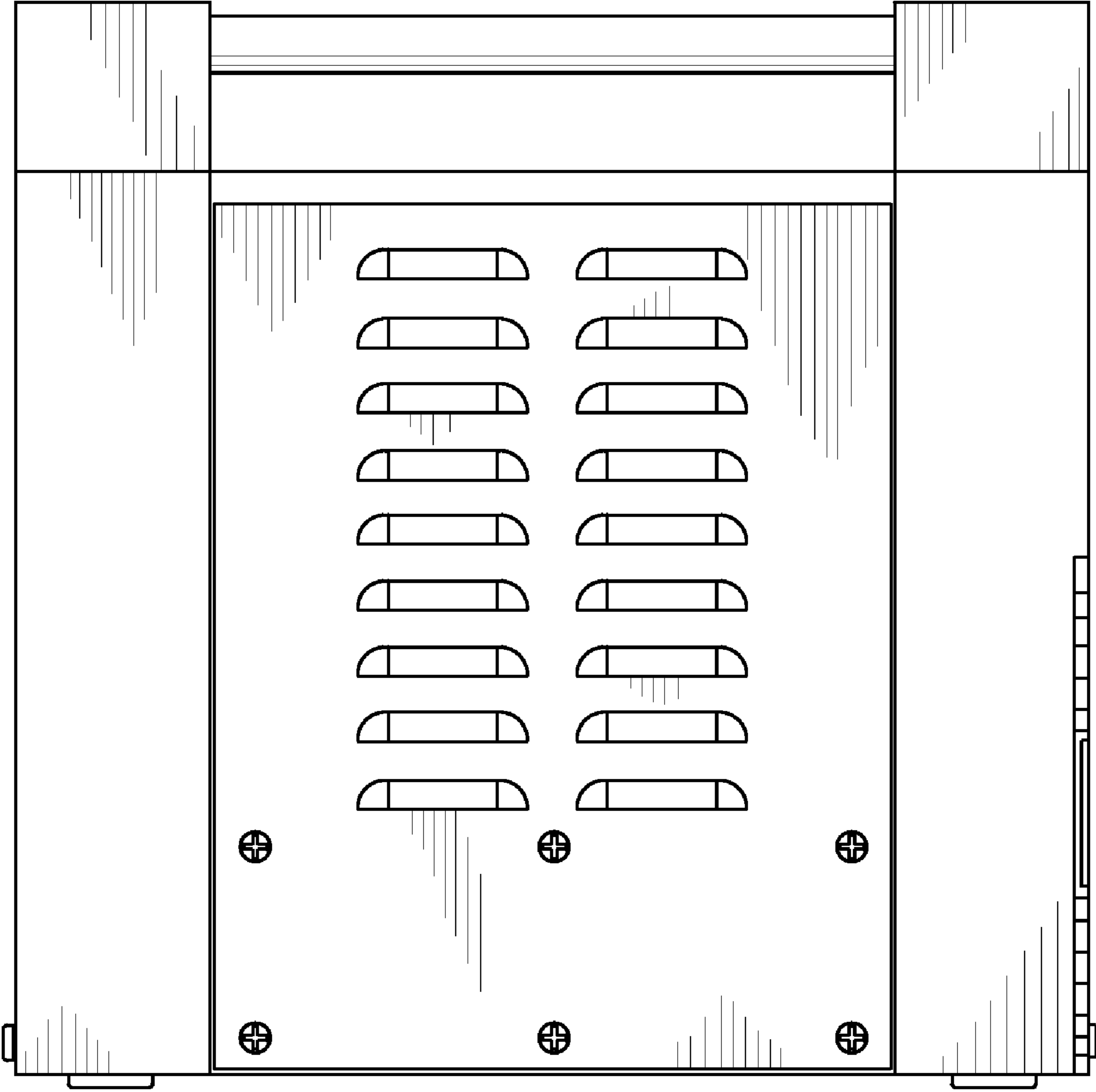


FIG. 5

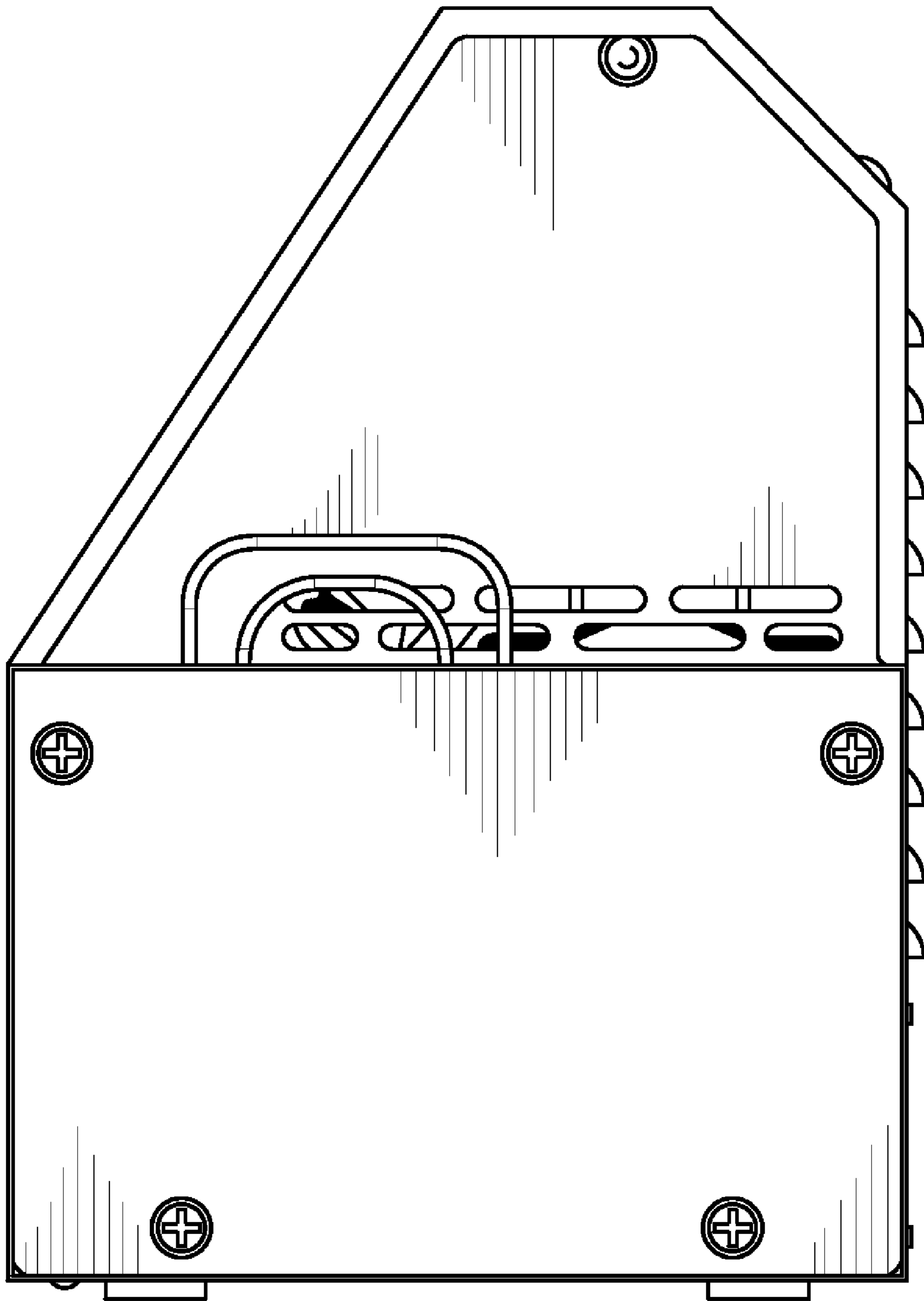


FIG. 6

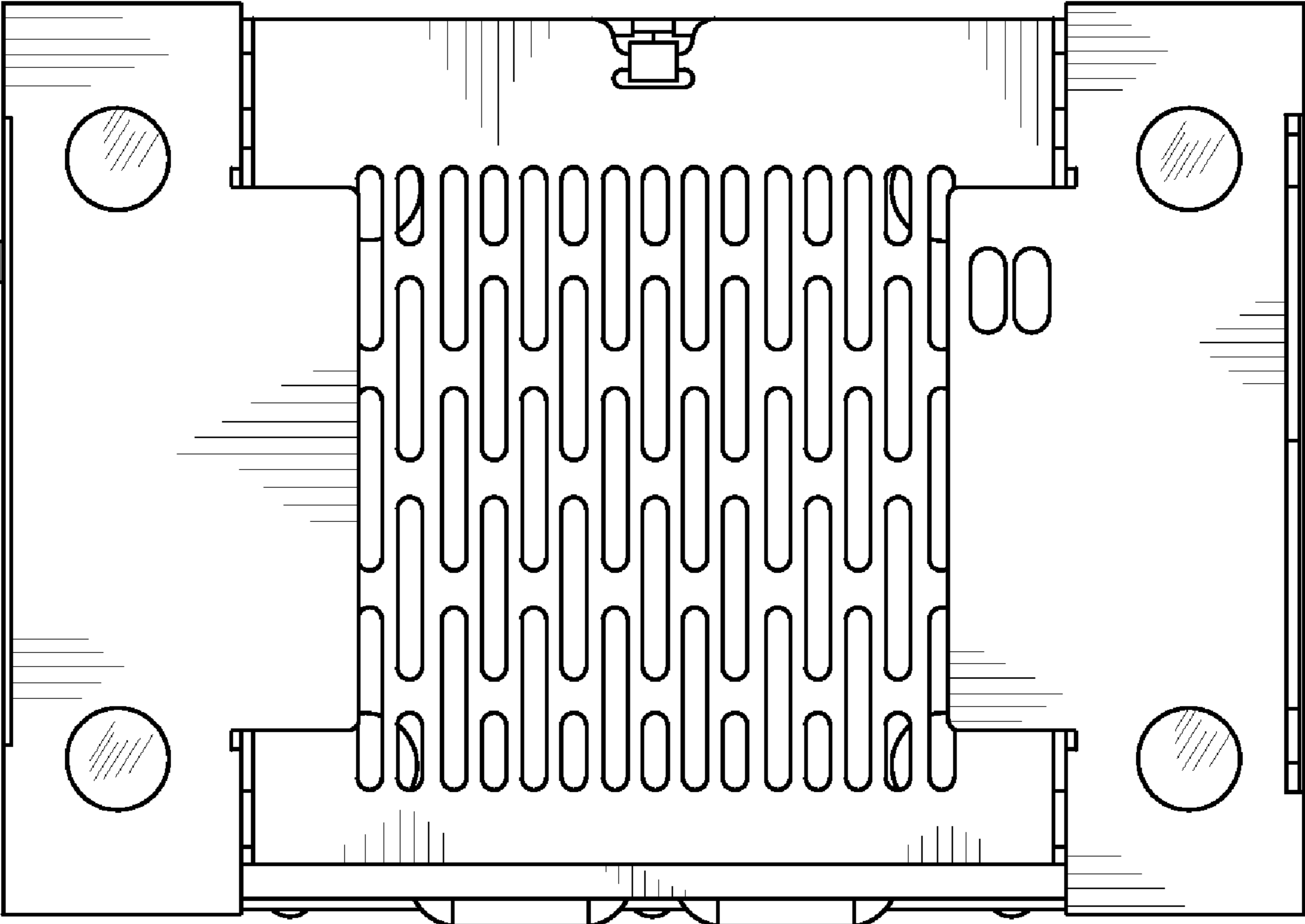


FIG. 7