



US00D612402S

(12) **United States Design Patent**
Dai et al.

(10) **Patent No.:** **US D612,402 S**
(45) **Date of Patent:** **** Mar. 23, 2010**

(54) **INTERNAL-COMBUSTION ENGINE**

(75) Inventors: **Ruiyi Dai**, Chongqing (CN); **Chunlin Chen**, Chongqing (CN); **Ju Lei**, Chongqing (CN)

(73) Assignee: **Loncin Industry Co., Ltd.**, Chongqing (CN)

(**) Term: **14 Years**

(21) Appl. No.: **29/329,385**

(22) Filed: **Dec. 15, 2008**

(51) **LOC (9) Cl.** **15-01**

(52) **U.S. Cl.** **D15/1**

(58) **Field of Classification Search** D15/1,
D15/3, 5, 17; 123/50 A, 50 B, 50 R, 41.7,
123/70 R, 198 E, 306, 308, 667
See application file for complete search history.

(56) **References Cited**

U.S. PATENT DOCUMENTS

D282,071	S	*	1/1986	Nakamura	D15/1
D294,832	S	*	3/1988	Itou et al.	D15/1
4,813,385	A	*	3/1989	Yamaguchi et al.	123/2
D307,148	S	*	4/1990	Mikado	D15/1
6,520,141	B2	*	2/2003	Ryczek et al.	123/198 E
D515,589	S	*	2/2006	Lin et al.	D15/1
D529,046	S	*	9/2006	Maeda et al.	D15/1
D552,128	S	*	10/2007	Li	D15/1
D561,784	S	*	2/2008	Yin et al.	D15/1

D570,877	S	*	6/2008	Glass et al.	D15/1
D579,026	S	*	10/2008	Busschaert	D15/1
D584,745	S	*	1/2009	Wei et al.	D15/1
2009/0126678	A1	*	5/2009	Takeuchi et al.	123/198 E

* cited by examiner

Primary Examiner—Ian Simmons

Assistant Examiner—Wan Laymon

(74) *Attorney, Agent, or Firm*—Vincent K. Gustafson;
Intellectual Property/Technology Law

(57) **CLAIM**

The ornamental design for an internal-combustion engine, as shown and described.

DESCRIPTION

FIG. 1 is a front elevation view of an internal-combustion engine showing our new design;

FIG. 2 is a rear elevation view thereof;

FIG. 3 is left side elevation view thereof;

FIG. 4 is a right side elevation view thereof;

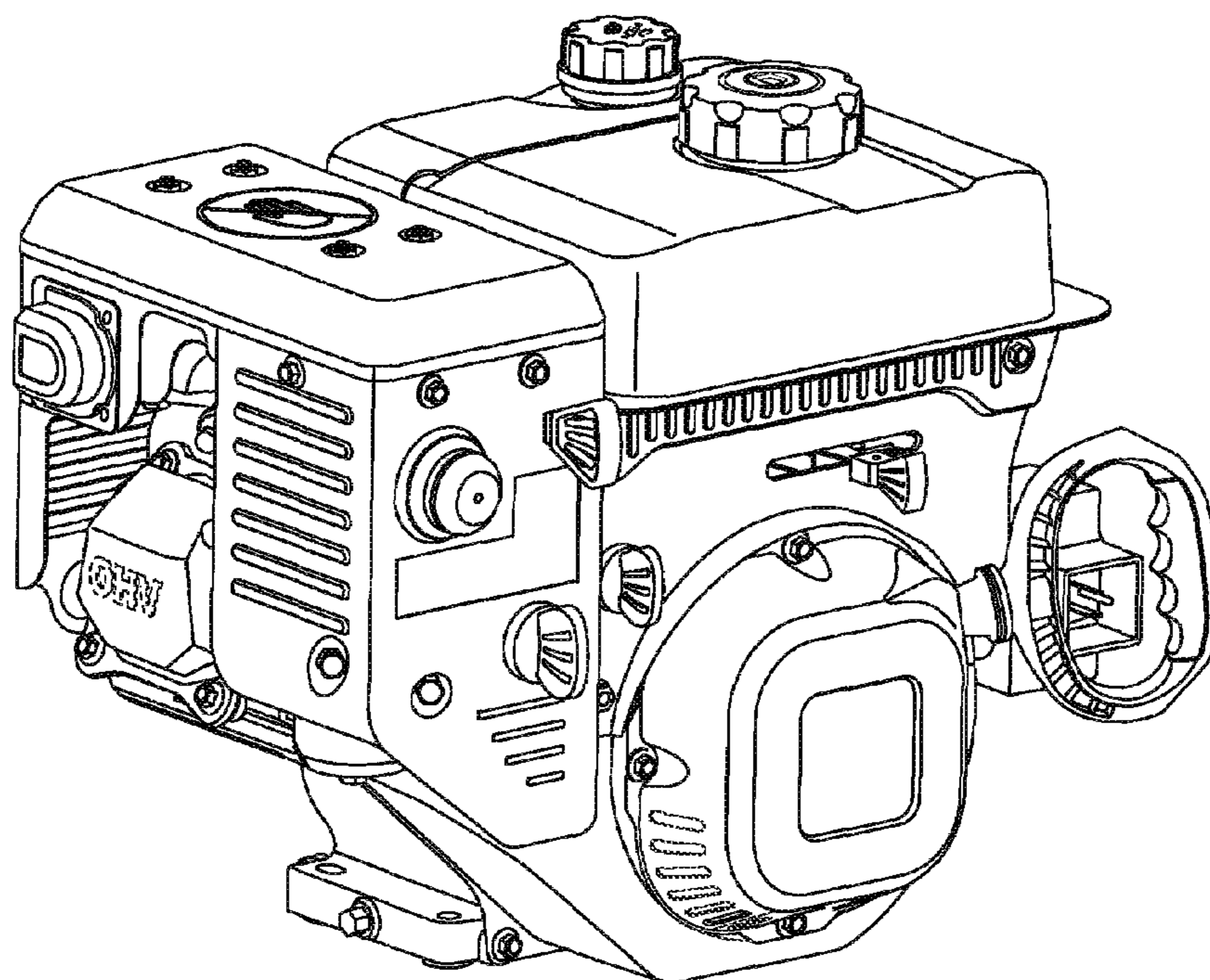
FIG. 5 is a top plan view thereof;

FIG. 6 is a bottom plan view thereof; and,

FIG. 7 is a perspective view thereof.

The broken line showing portion of an internal-combustion engine is included for illustrating environmental structure and forms no part of the claimed design.

1 Claim, 7 Drawing Sheets



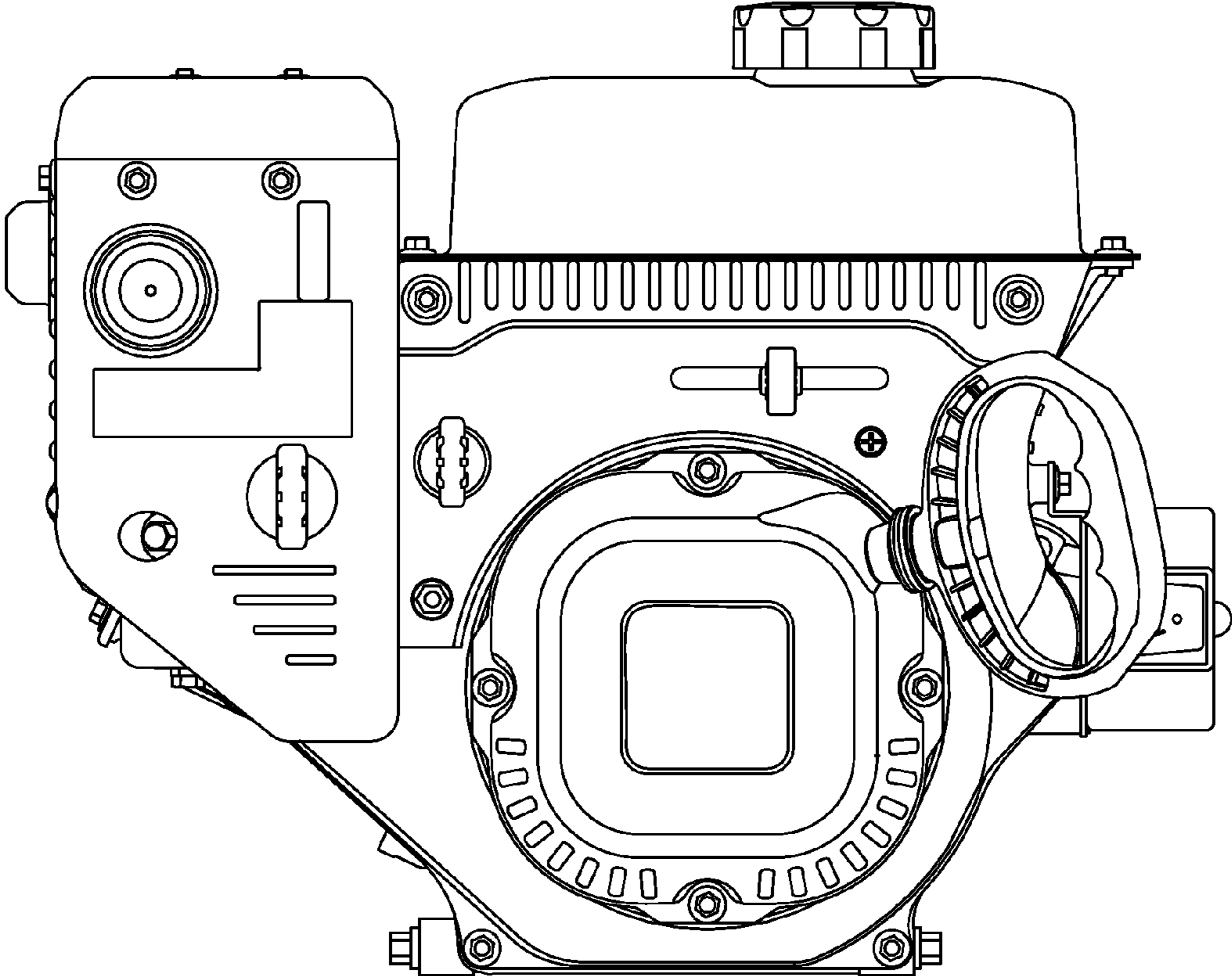


Fig.1

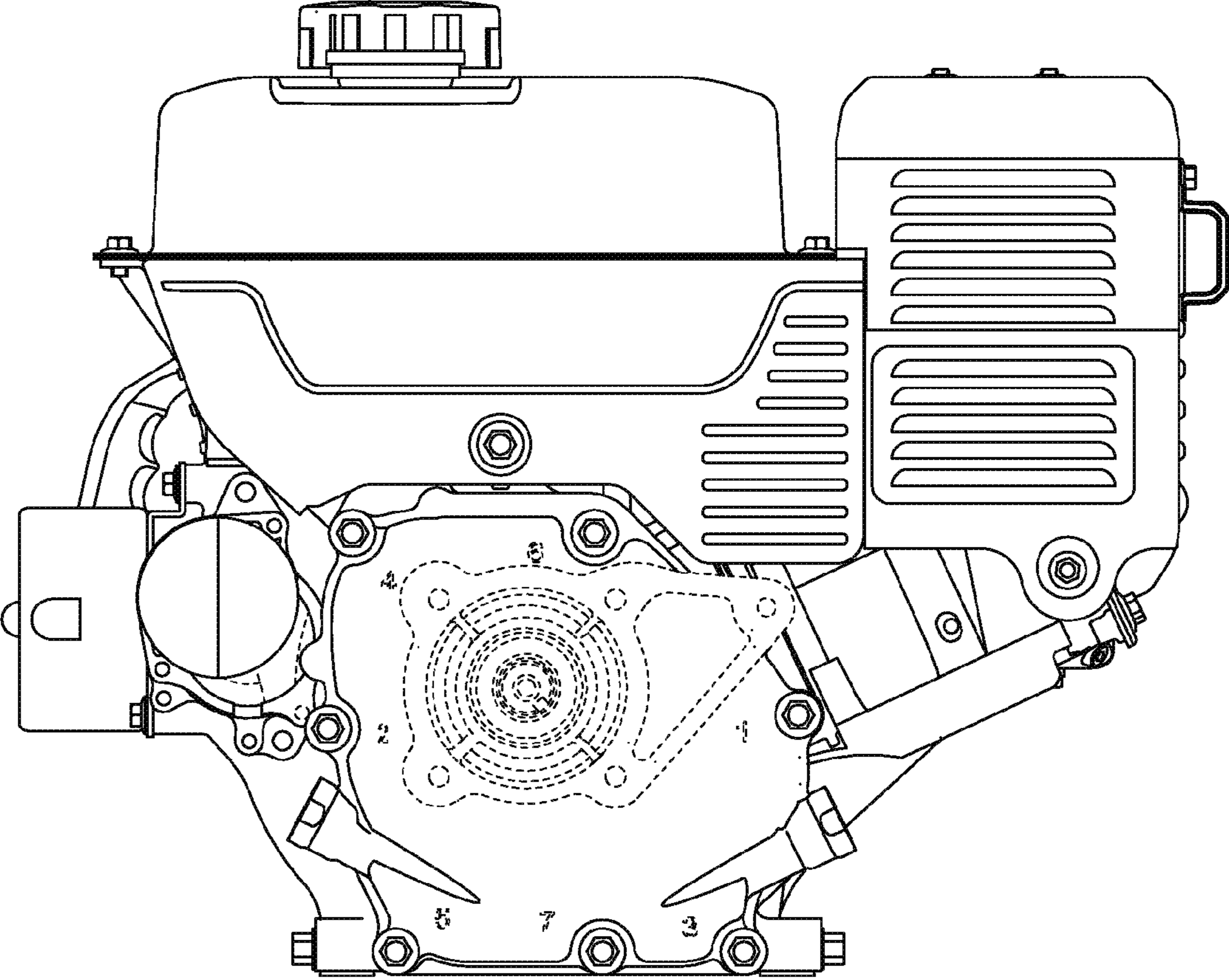


Fig.2

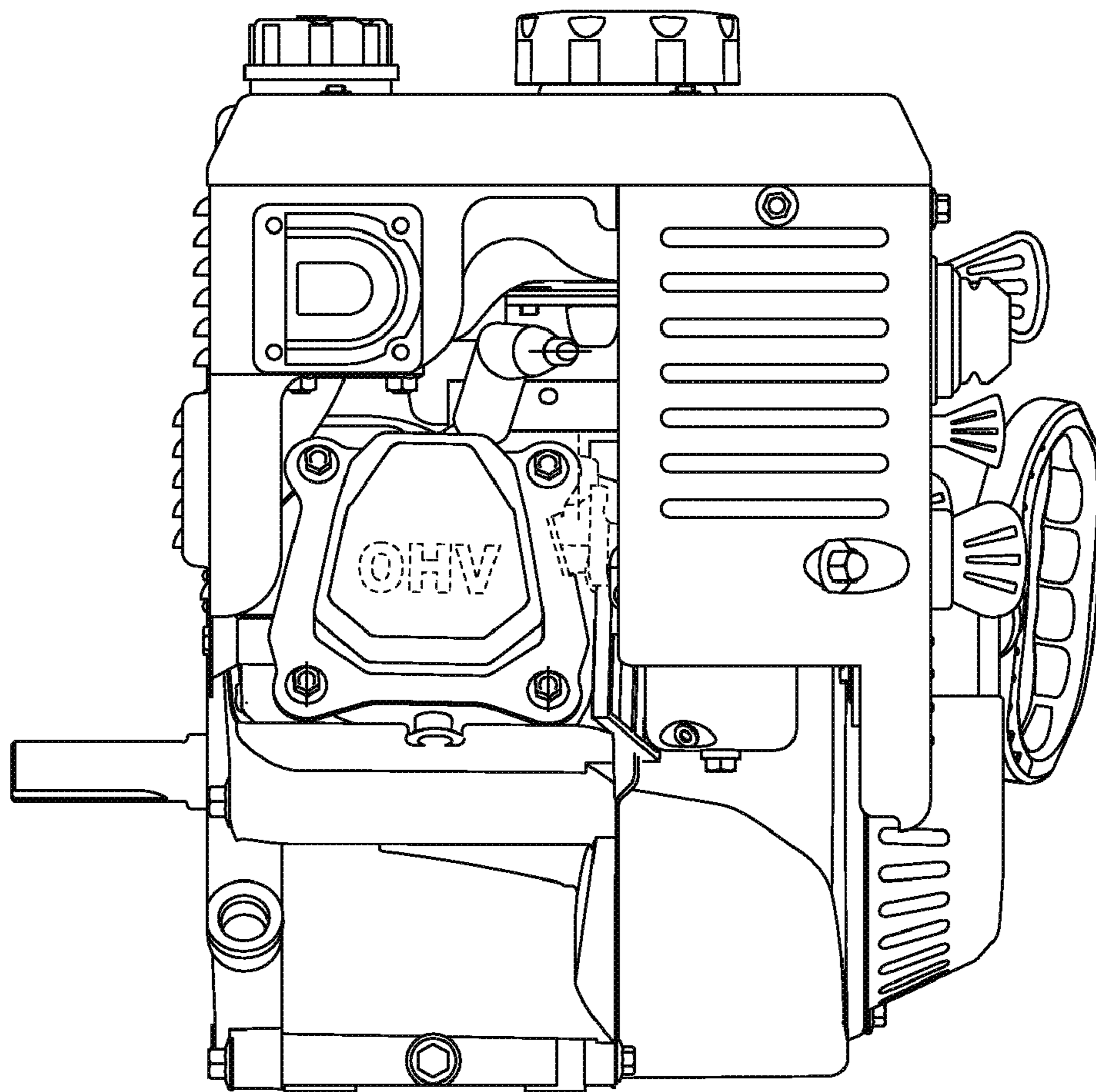


Fig.3

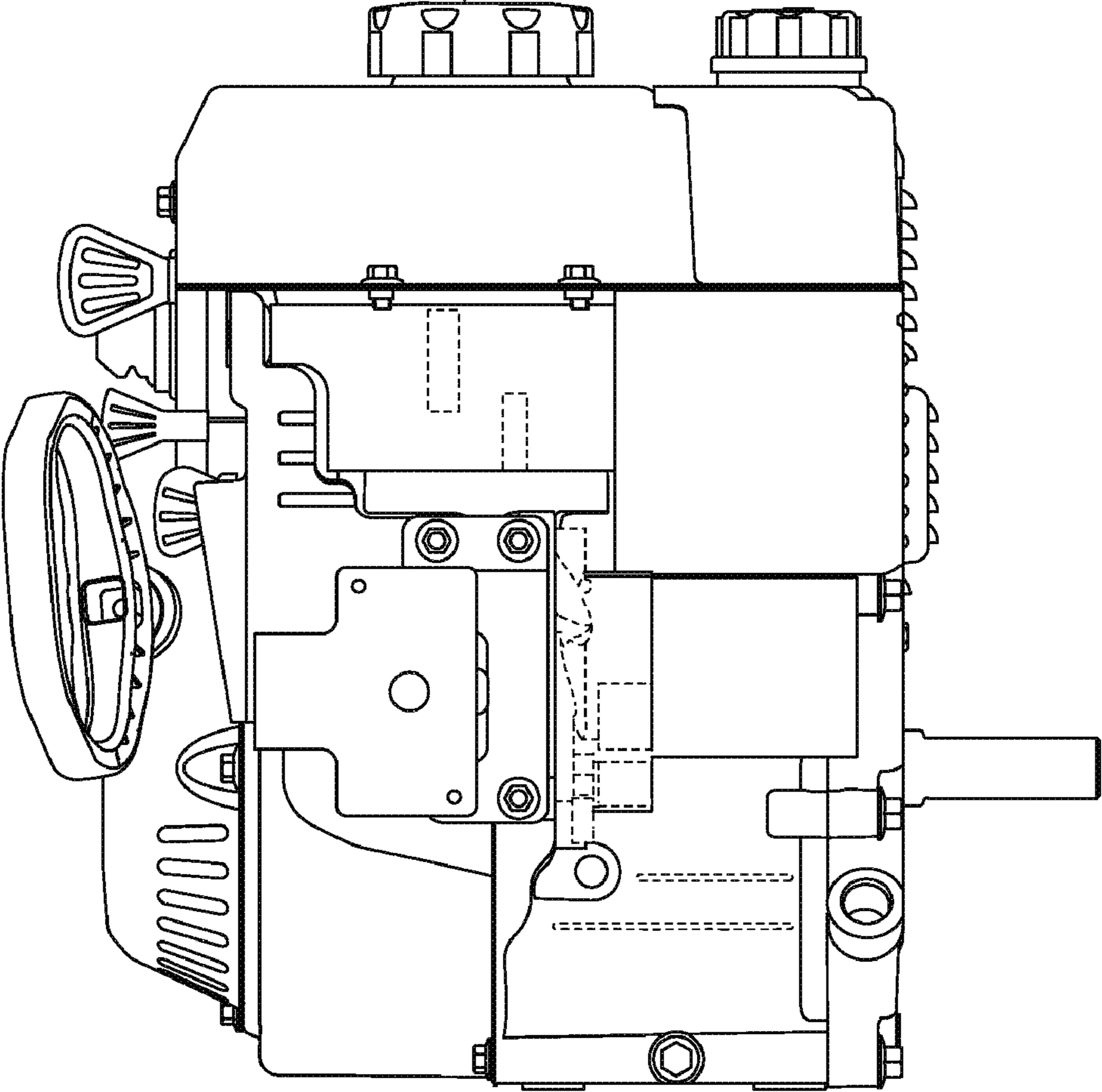


Fig.4

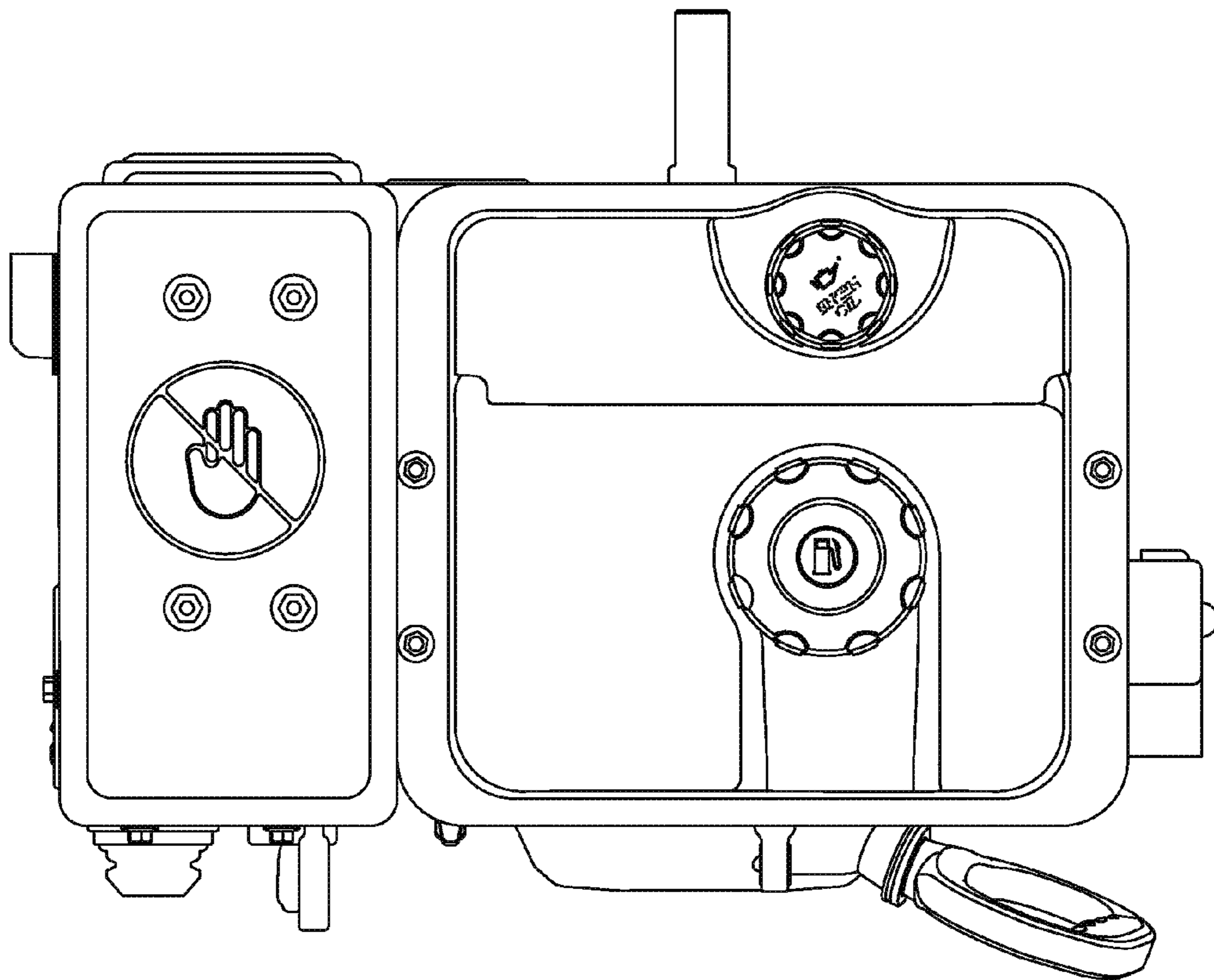


Fig.5

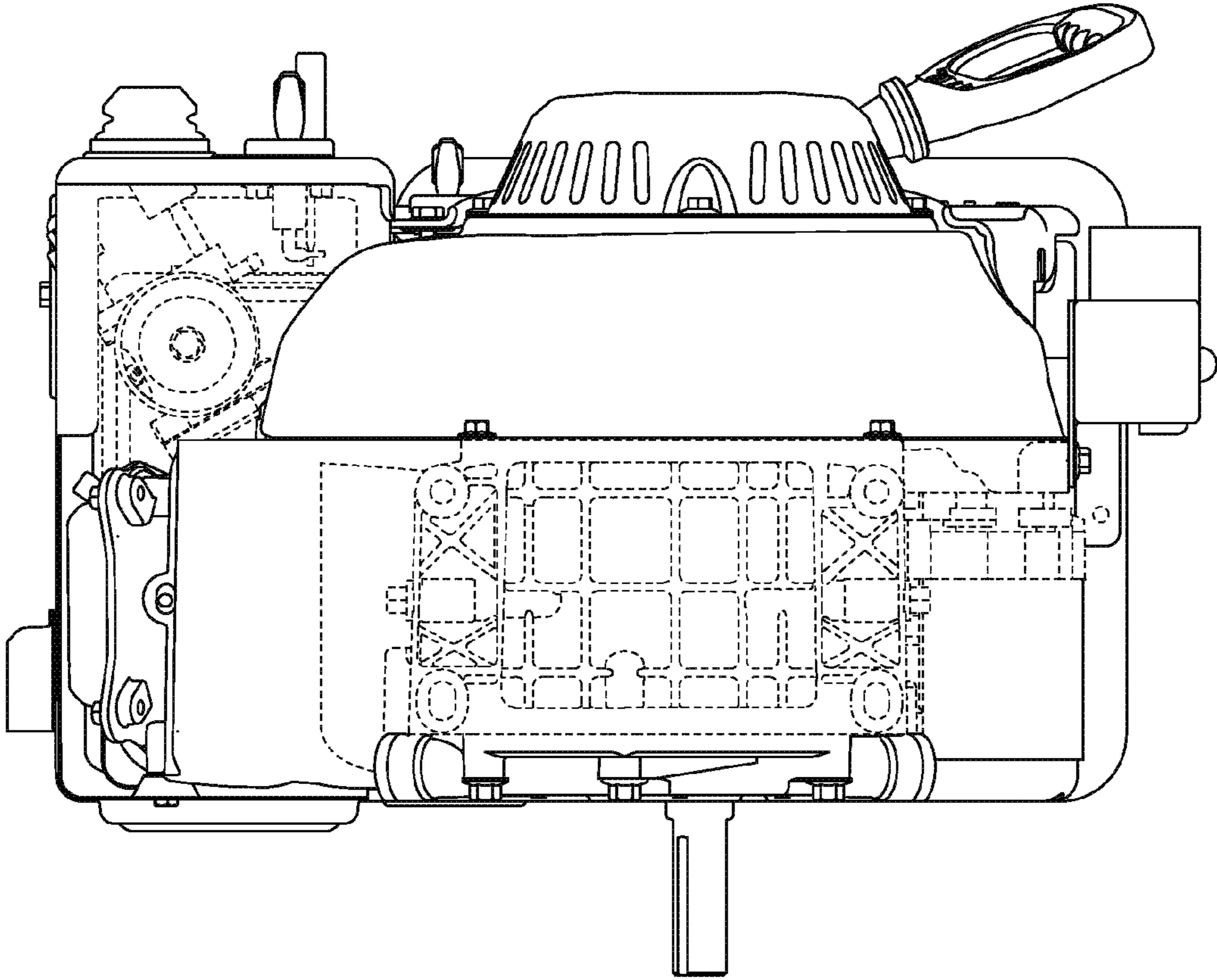


Fig.6

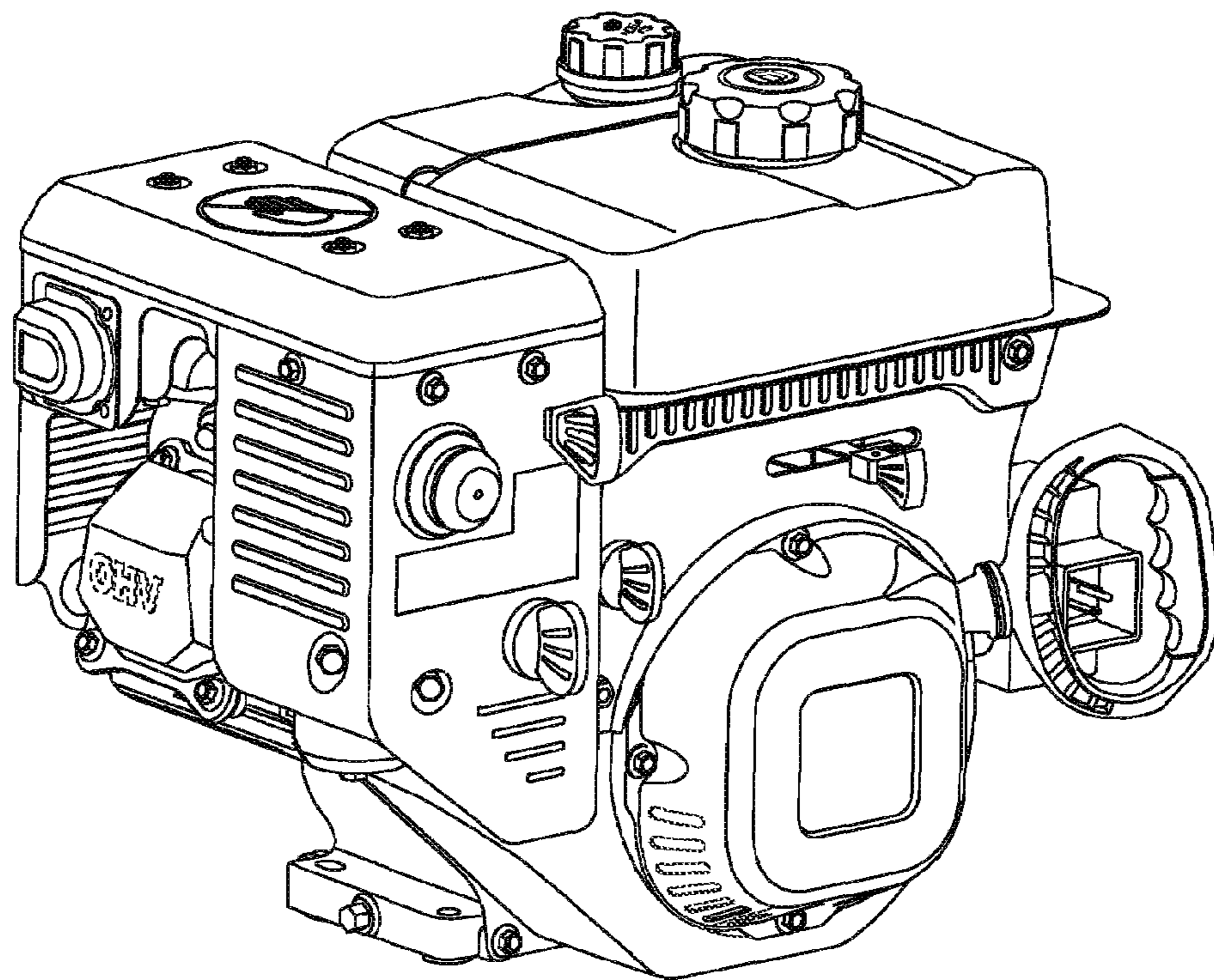


Fig.7

UNITED STATES PATENT AND TRADEMARK OFFICE
CERTIFICATE OF CORRECTION

PATENT NO. : Des. 612,402 S
APPLICATION NO. : 29/329385
DATED : March 23, 2010
INVENTOR(S) : Ruiyi Dai et al.

Page 1 of 1

It is certified that error appears in the above-identified patent and that said Letters Patent is hereby corrected as shown below:

Title Page; item (73);
Page 1, first column, Assignee: "Loncin Industry Co., Ltd., Chongqing (CN)" should be
-- Loncin Industry Co., Ltd., Chongqing (CN) --.

Signed and Sealed this

First Day of June, 2010

A handwritten signature in black ink that reads "David J. Kappos". The signature is written in a cursive, flowing style.

David J. Kappos
Director of the United States Patent and Trademark Office