



US00D612385S

(12) **United States Design Patent**
Aoki

(10) **Patent No.:** **US D612,385 S**
(45) **Date of Patent:** **** Mar. 23, 2010**

(54) **BAR CODE READER**

(75) Inventor: **Ryosaku Aoki, Mitaka (JP)**

(73) Assignee: **Olympus Imaging Corp., Tokyo (JP)**

(**) Term: **14 Years**

(21) Appl. No.: **29/301,419**

(22) Filed: **Feb. 28, 2008**

(51) **LOC (9) Cl.** **14-02**

(52) **U.S. Cl.** **D14/453; D14/435**

(58) **Field of Classification Search** D14/453,
D14/420, 426-431, 242, 432-438; 361/600,
361/622, 683, 684, 686, 724-728, 679; D13/184,
D13/123, 110, 107; 379/433.09, 433.11-433.13,
379/419, 440, 428.01, 428.04; 455/550.1,
455/552.1, 553.1, 554.1, 554.2, 555, 557,
455/556.1, 558, 575.1, 90.3, 561, 572; 439/101,
439/108, 946, 607, 133, 135; 174/52.1, 35 R;
902/26; 358/473; 235/462.43-462.48, 487,
235/472.01, 472.02; 16/110.1, 430, 431;
709/219, 201; 710/73; 320/114, 115, 123;
382/313, 321

See application file for complete search history.

(56) **References Cited**

U.S. PATENT DOCUMENTS

- 4,768,151 A * 8/1988 Birenbaum et al. 463/19
- D321,691 S * 11/1991 Brenda et al. D14/191
- D355,173 S * 2/1995 Fenton et al. D14/242
- D355,412 S * 2/1995 Rak et al. D14/242
- 5,400,216 A * 3/1995 Tsai 361/679.32
- 5,472,351 A * 12/1995 Greco et al. 439/353
- D366,047 S * 1/1996 Rak et al. D14/256
- 5,513,074 A * 4/1996 Ainsbury et al. 361/737
- D371,770 S * 7/1996 Larson et al. D14/242
- D372,274 S * 7/1996 Douglas et al. D21/333
- D378,085 S * 2/1997 Kerklaan et al. D14/436
- 5,743,801 A * 4/1998 Welander 463/44
- D411,202 S * 6/1999 Flanagan et al. D14/459
- D413,879 S * 9/1999 Wu D14/436
- D415,479 S * 10/1999 Yang et al. D14/436

- 6,118,485 A * 9/2000 Hinoue et al. 348/373
- D432,540 S * 10/2000 Laity et al. D14/436
- 6,292,272 B1 * 9/2001 Okauchi et al. 358/471
- 6,297,448 B1 * 10/2001 Hara 174/559
- D450,708 S * 11/2001 Hsu D14/435
- D458,935 S * 6/2002 Hiroki D14/436
- D469,776 S * 2/2003 Laity et al. D14/435
- 6,525,767 B2 * 2/2003 Saito et al. 348/231.7
- D478,087 S * 8/2003 Aldridge D14/433
- D491,191 S * 6/2004 Wen et al. D14/496
- D493,170 S * 7/2004 Ryu D14/365
- D498,759 S * 11/2004 Lewis et al. D14/436
- D502,181 S * 2/2005 Hong et al. D14/436
- 6,961,022 B1 * 11/2005 Tay et al. 343/702
- D530,331 S * 10/2006 Yao D14/436
- D533,505 S * 12/2006 Chen D13/147
- D539,286 S * 3/2007 Phillips et al. D14/435
- D549,708 S * 8/2007 Phillips et al. D14/435
- D555,653 S * 11/2007 Tseng D14/435

(Continued)

Primary Examiner—Susan Moon Lee
(74) *Attorney, Agent, or Firm*—Frishauf, Holtz, Goodman & Chick, P.C.

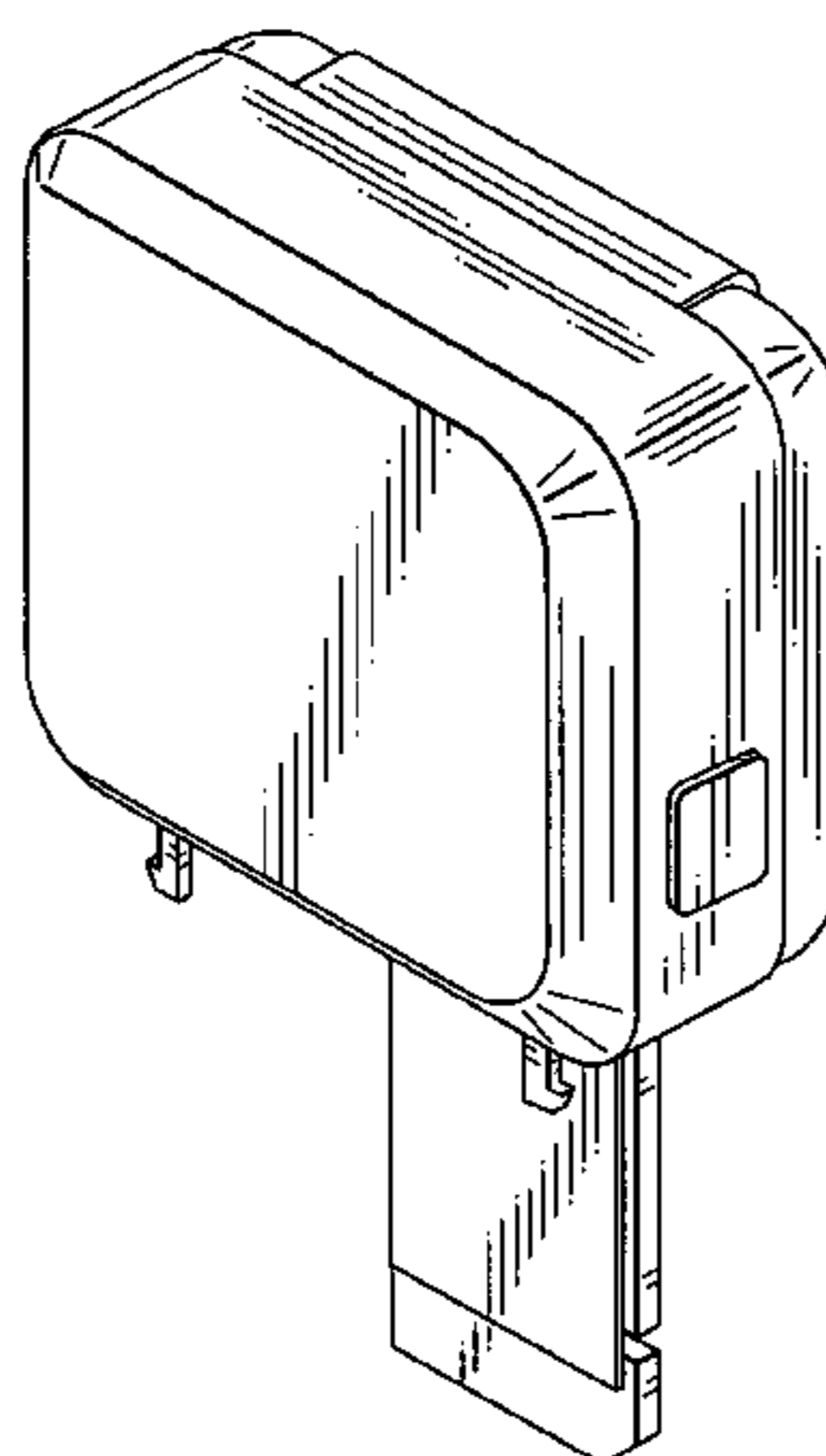
(57) **CLAIM**

The ornamental design for a bar code reader, as shown and described.

DESCRIPTION

FIG. 1 is a front, top and right side perspective view of a bar code reader showing my new design in accordance with an embodiment;
FIG. 2 is a front elevational view thereof;
FIG. 3 is a rear elevational view thereof;
FIG. 4 is a top plan view thereof;
FIG. 5 is a bottom plan view thereof;
FIG. 6 is a right side elevational view thereof; and,
FIG. 7 is a left side elevational view thereof.

1 Claim, 4 Drawing Sheets



US D612,385 S

Page 2

U.S. PATENT DOCUMENTS

D558,210 S *	12/2007	Tseng et al.	D14/435	D595,696 S *	7/2009	Greitzke	D14/218
7,382,625 B2 *	6/2008	Thornton et al.	361/737	2002/0177362 A1 *	11/2002	Chang	439/638
D573,997 S *	7/2008	Kim et al.	D14/436	2003/0063196 A1 *	4/2003	Palatov et al.	348/211.2
D580,442 S *	11/2008	Kim et al.	D14/436	2003/0163623 A1 *	8/2003	Yeung	710/300
D581,420 S *	11/2008	Hsu	D14/436	2004/0038592 A1 *	2/2004	Yang	439/638
7,460,170 B2 *	12/2008	Gardiner et al.	348/372	2004/0056956 A1 *	3/2004	Gardiner et al.	348/207.1
				2004/0173678 A1 *	9/2004	Wu	235/441

* cited by examiner

FIG. 1

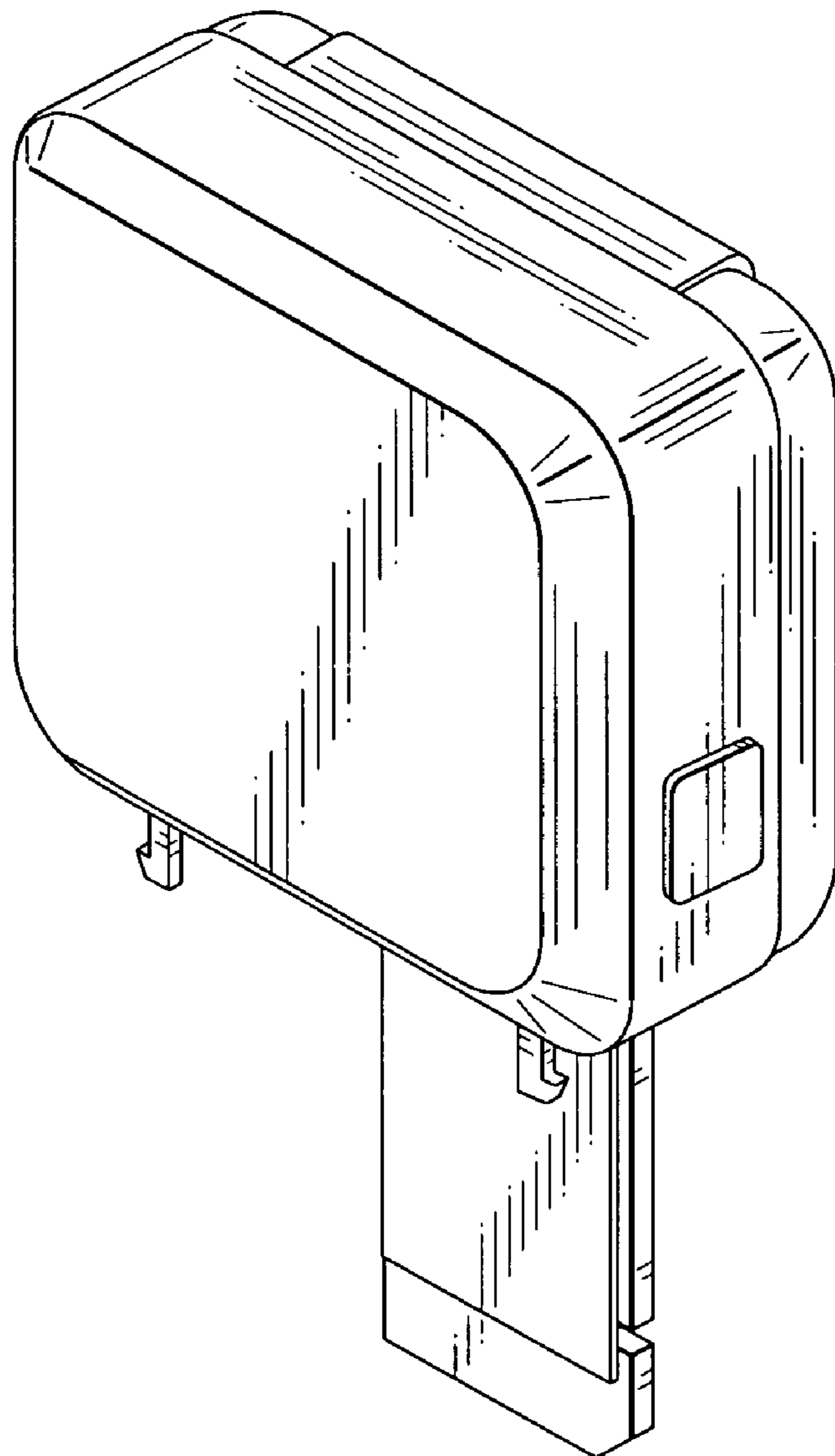


FIG.2

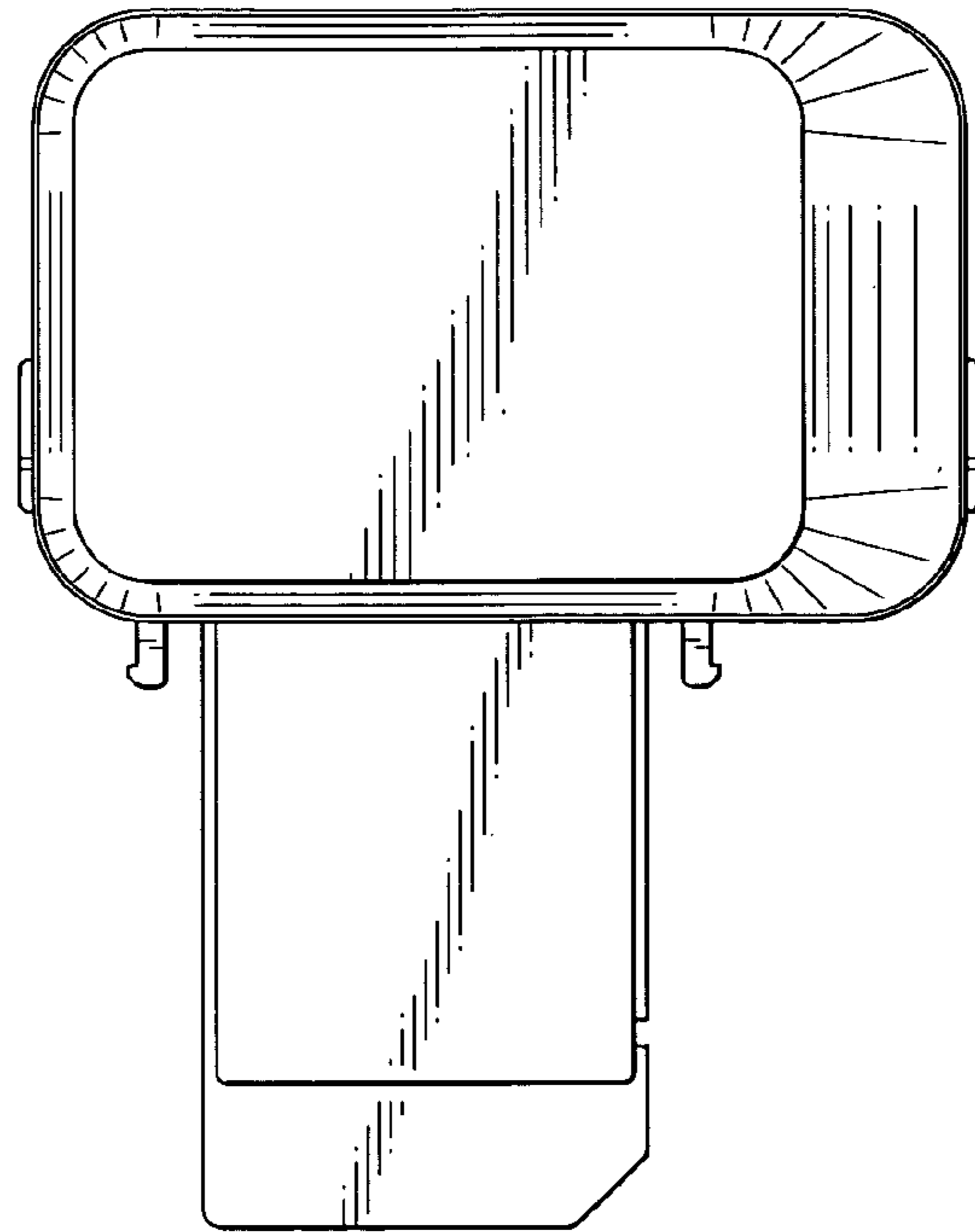


FIG.3

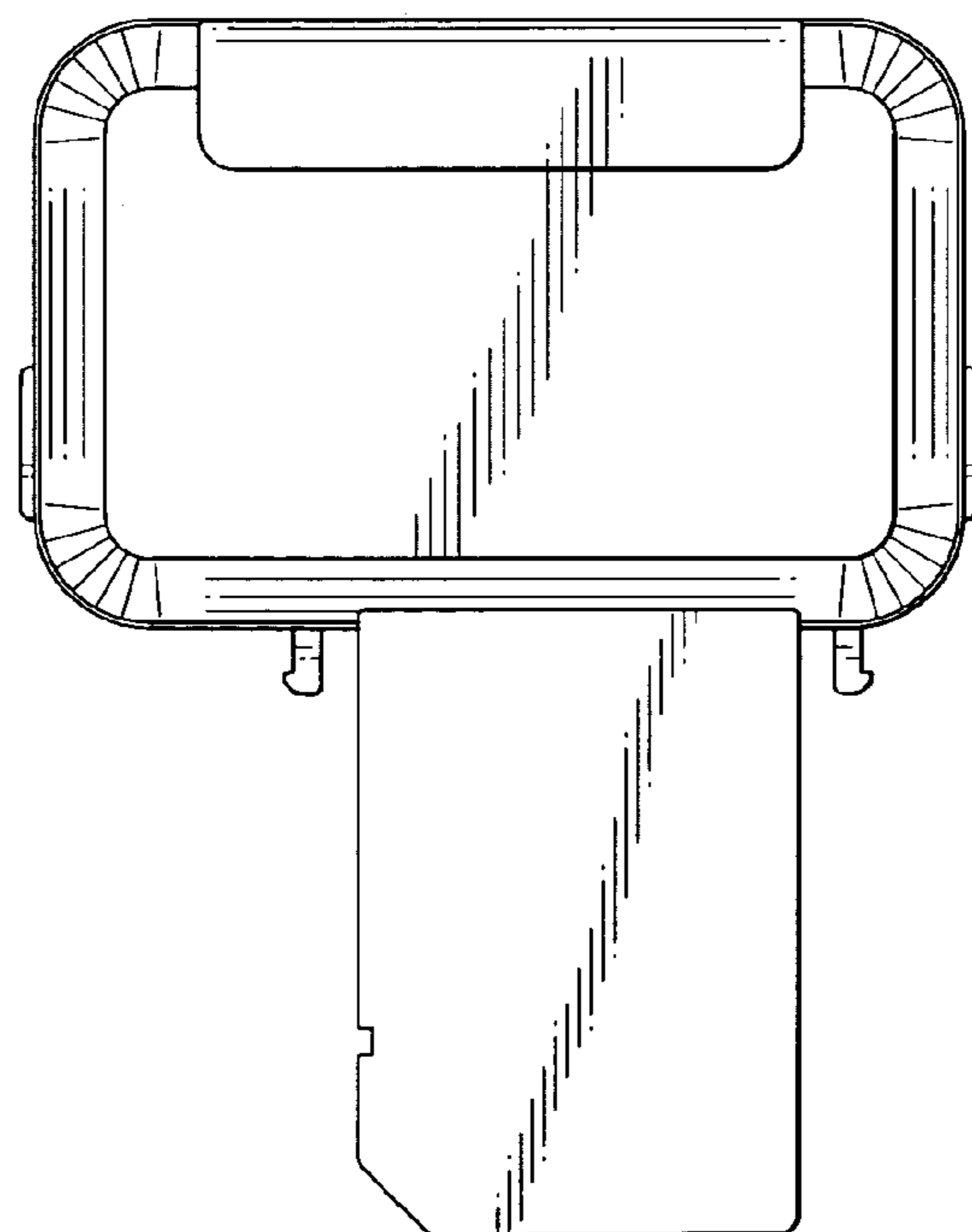


FIG.4

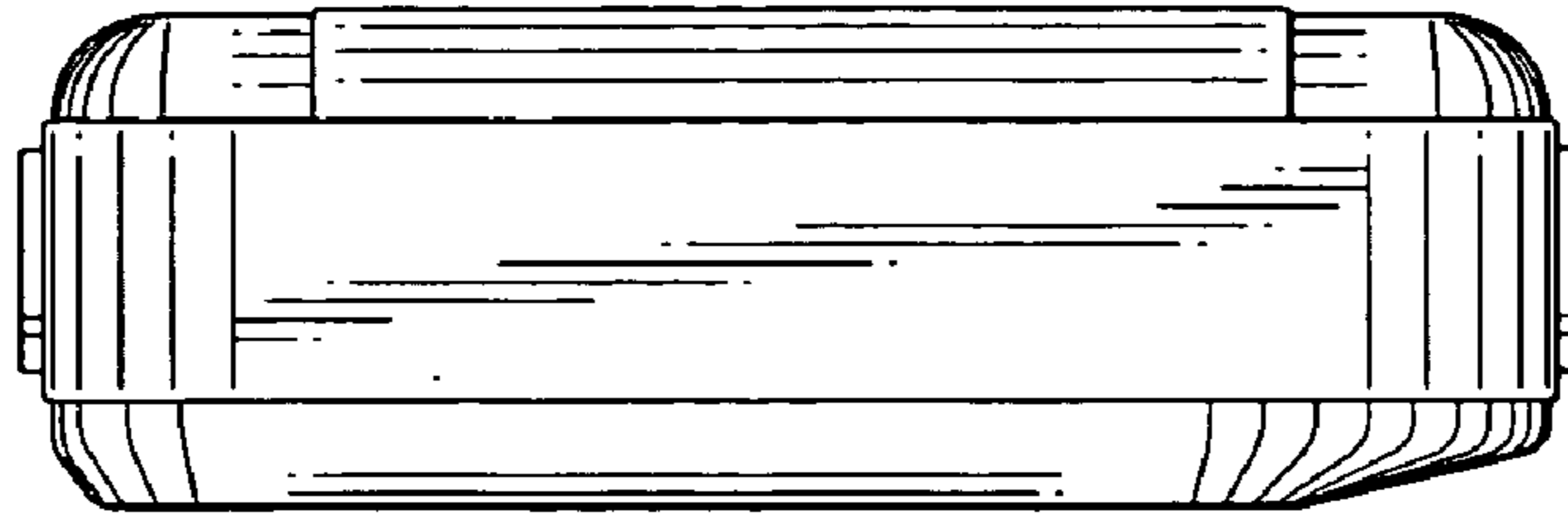


FIG.5

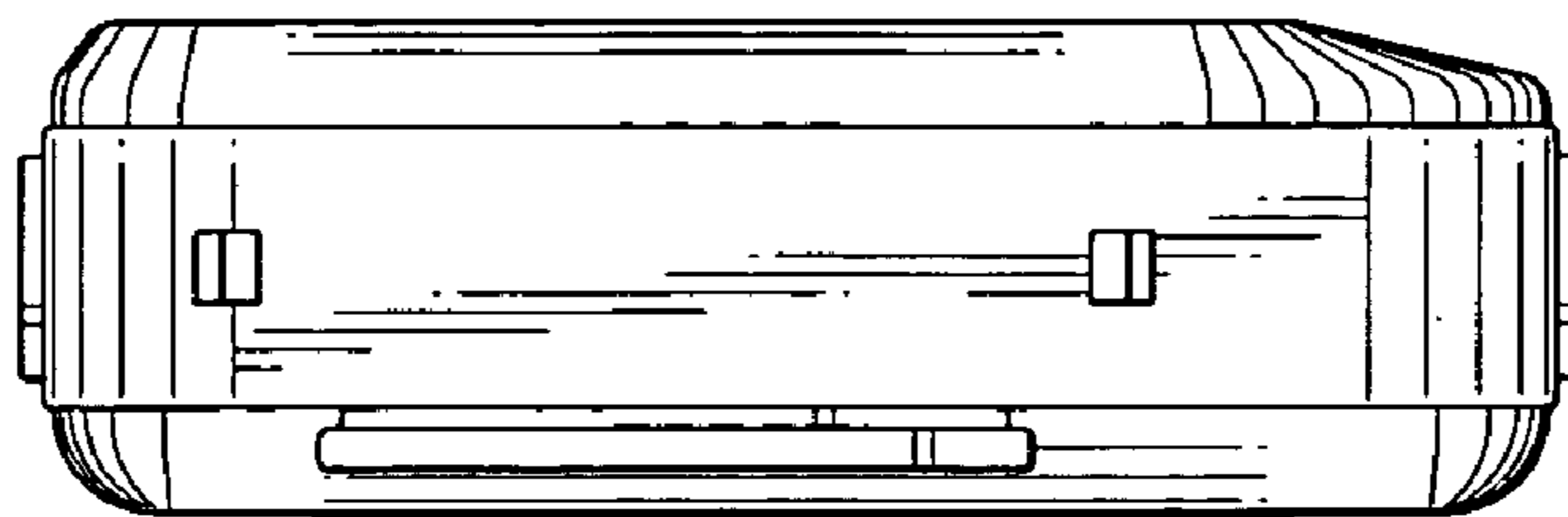


FIG.6

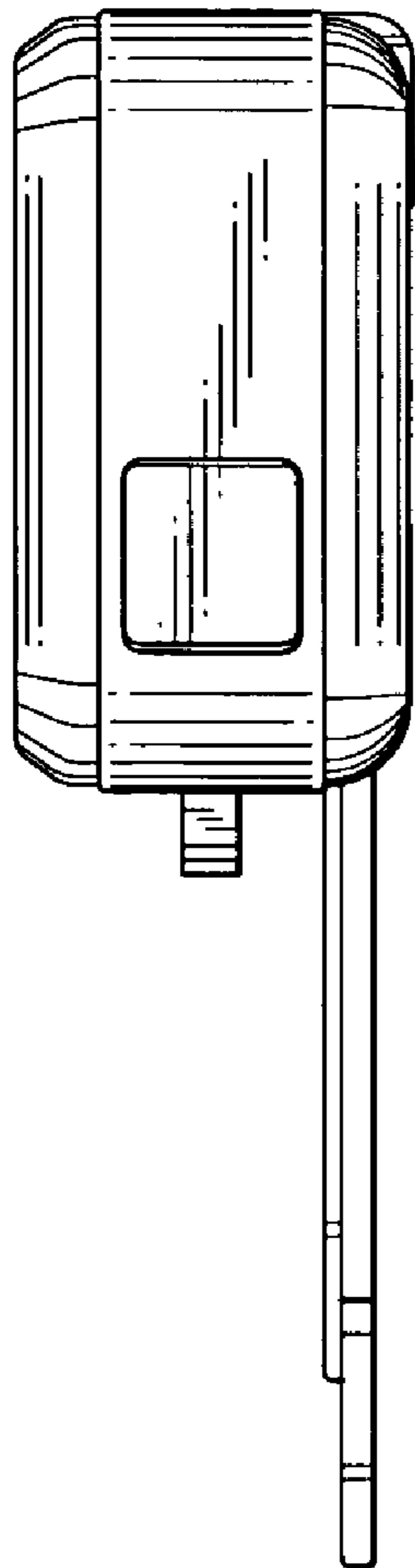


FIG.7

