



US00D612383S

(12) **United States Design Patent**  
**Wen**

(10) **Patent No.:** **US D612,383 S**  
(45) **Date of Patent:** **\*\* Mar. 23, 2010**

(54) **EXPANSION BASE FOR NOTEBOOKS**

(75) Inventor: **Chen-Hsiung Wen**, Taipei Hsien (TW)

(73) Assignee: **A-Power International Co., Ltd.**, Taipei (TW)

(\*\*) Term: **14 Years**

(21) Appl. No.: **29/330,121**

(22) Filed: **Dec. 30, 2008**

(30) **Foreign Application Priority Data**

Jul. 18, 2008 (TW) ..... 97304167

(51) **LOC (9) Cl.** ..... **14-02**

(52) **U.S. Cl.** ..... **D14/434**

(58) **Field of Classification Search** ..... D14/432-434,  
D14/314, 204; D13/108, 146; D23/314,  
D23/328; 248/346.03; 361/679.41, 679.31,  
361/679.32, 679.4, 679.43; 70/58; D21/333;  
320/112

See application file for complete search history.

(56) **References Cited**

**U.S. PATENT DOCUMENTS**

D366,470 S \* 1/1996 Youens et al. .... D14/434  
5,535,093 A \* 7/1996 Noguchi et al. .... 361/679.43  
D384,044 S \* 9/1997 Tanimura ..... D14/434  
D413,574 S \* 9/1999 Goto ..... D13/146  
D443,860 S \* 6/2001 Ogasawara ..... D13/146  
D448,385 S \* 9/2001 Oross et al. .... D14/434  
D471,558 S \* 3/2003 Wada ..... D14/434  
6,667,881 B2 \* 12/2003 Oross et al. .... 361/679.4  
D512,066 S \* 11/2005 Solomon et al. .... D14/434

7,079,384 B2 \* 7/2006 Wang et al. .... 361/679.43  
D552,185 S \* 10/2007 Hussaini et al. .... D21/333  
D570,847 S \* 6/2008 Chern ..... D14/434  
2003/0193316 A1 \* 10/2003 Guo et al. .... 320/112

\* cited by examiner

*Primary Examiner*—Freda S Nunn

(74) *Attorney, Agent, or Firm*—Frenkel & Associates, P.C.

(57) **CLAIM**

The ornamental design for an expansion base for notebooks, as shown and described.

**DESCRIPTION**

FIG. 1 is a front perspective view of an expansion base for notebooks showing my new design, wherein the expansion base is integrated with speaker and heat-dissipating functions;

FIG. 2 is a rear perspective view thereof;

FIG. 3 is a front view thereof;

FIG. 4 is a rear view thereof;

FIG. 5 is a top view thereof;

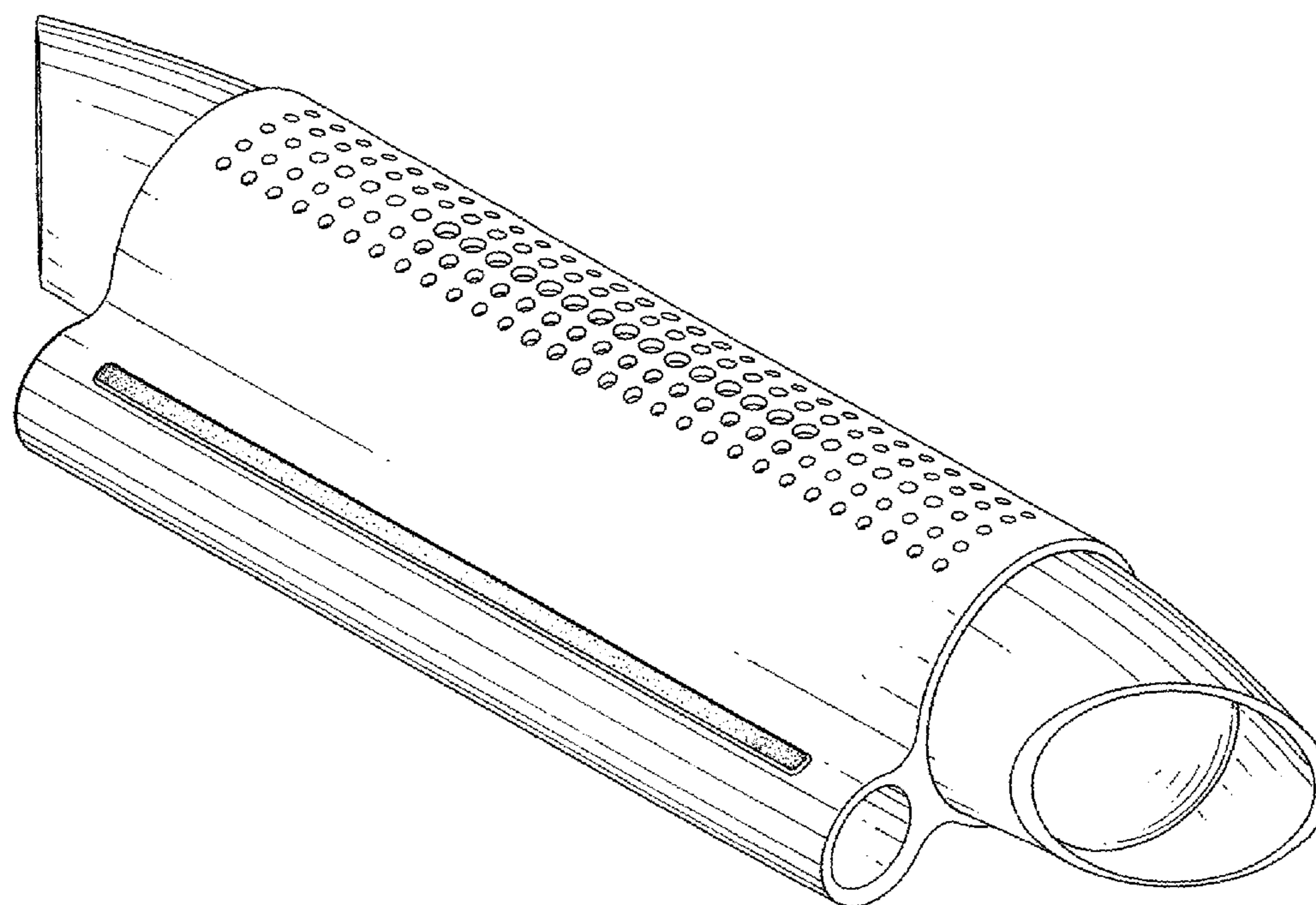
FIG. 6 is a bottom view thereof; and

FIG. 7 is a right view thereof, wherein a left view thereof is a mirror image of the right view; and,

FIG. 8 is an operational perspective view thereof, showing a notebook placed on the expansion base for notebooks.

Broken lines shown in the drawings illustrate portions of the expansion base and a notebook computer, and form no part of the claimed design.

**1 Claim, 6 Drawing Sheets**



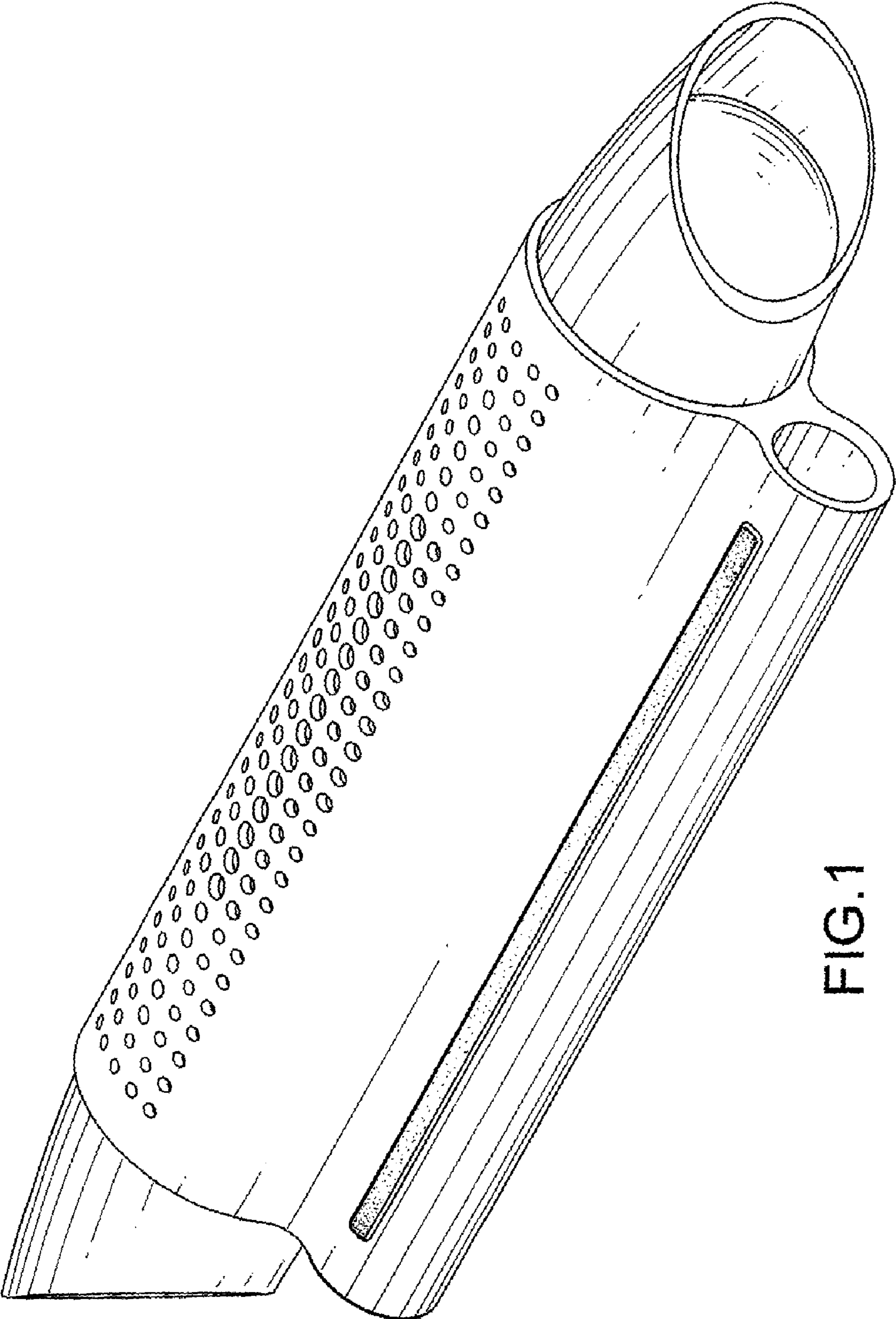


FIG.1

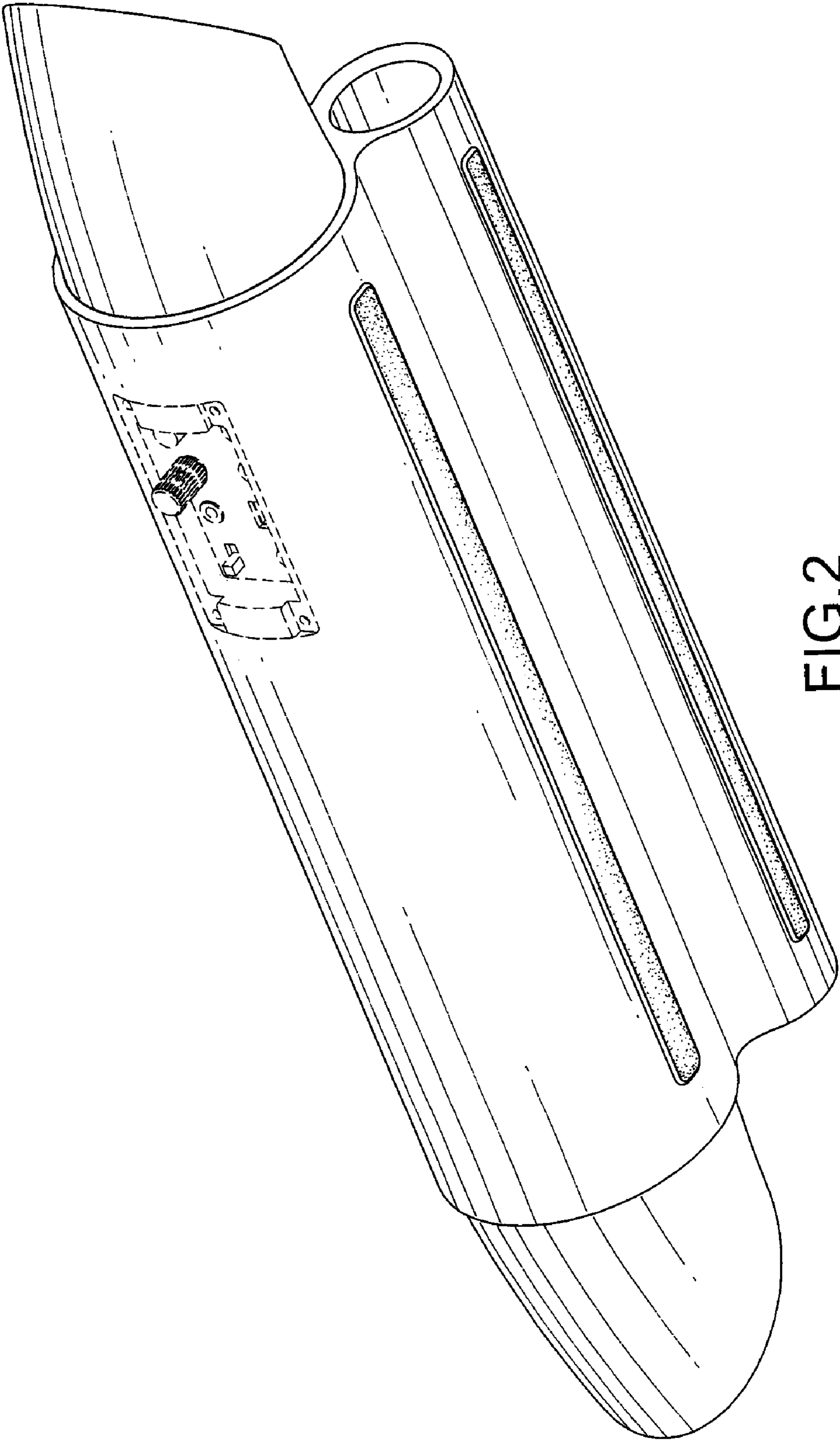


FIG.2

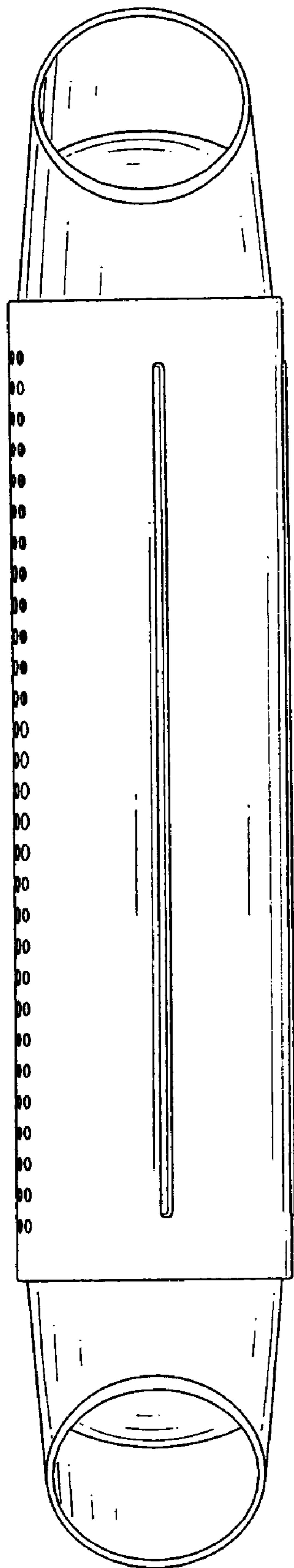


FIG. 3

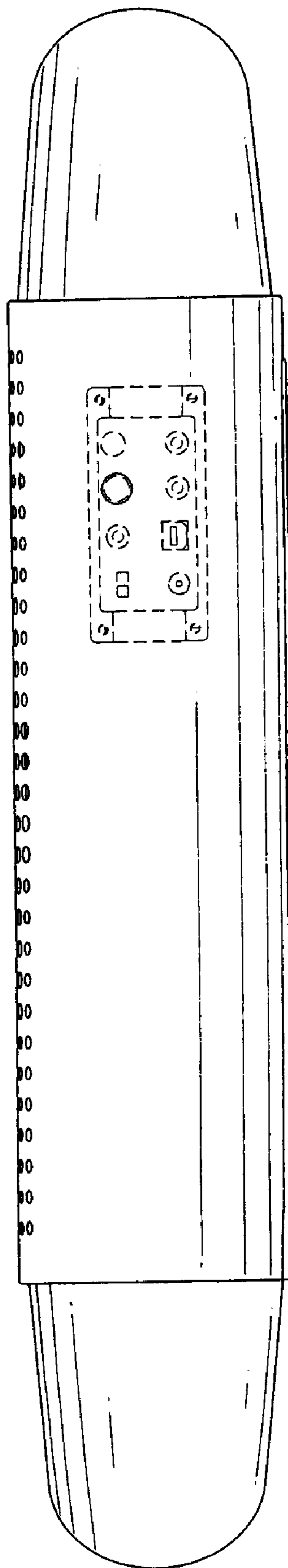


FIG. 4

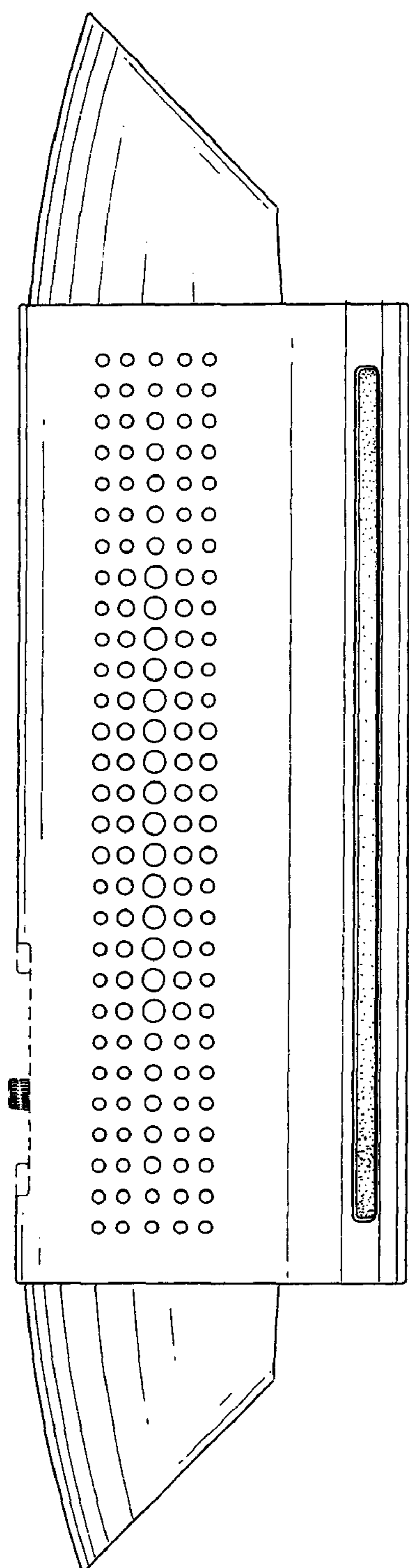


FIG. 5

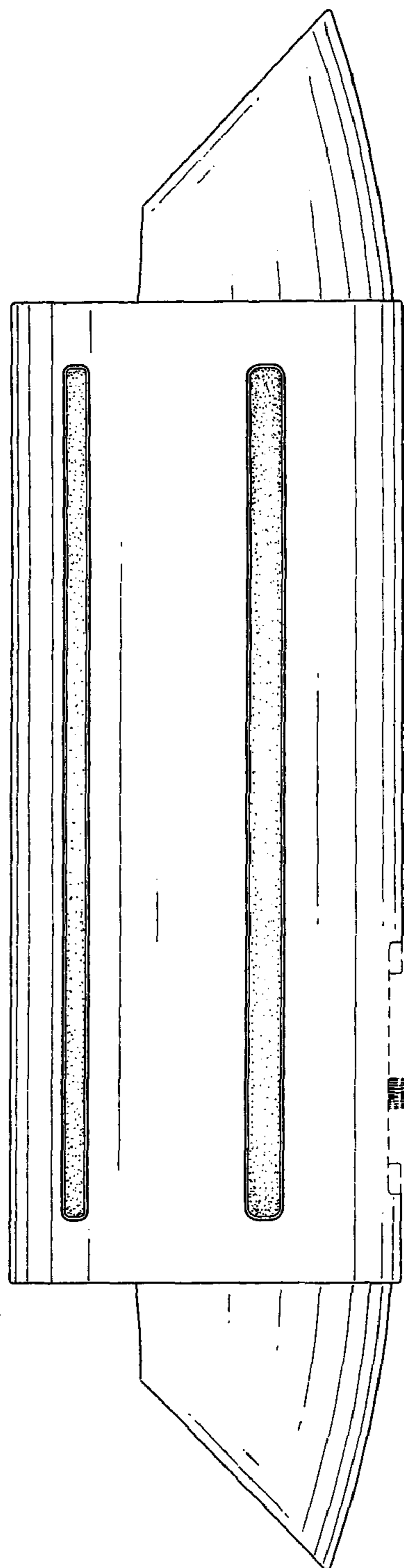


FIG. 6

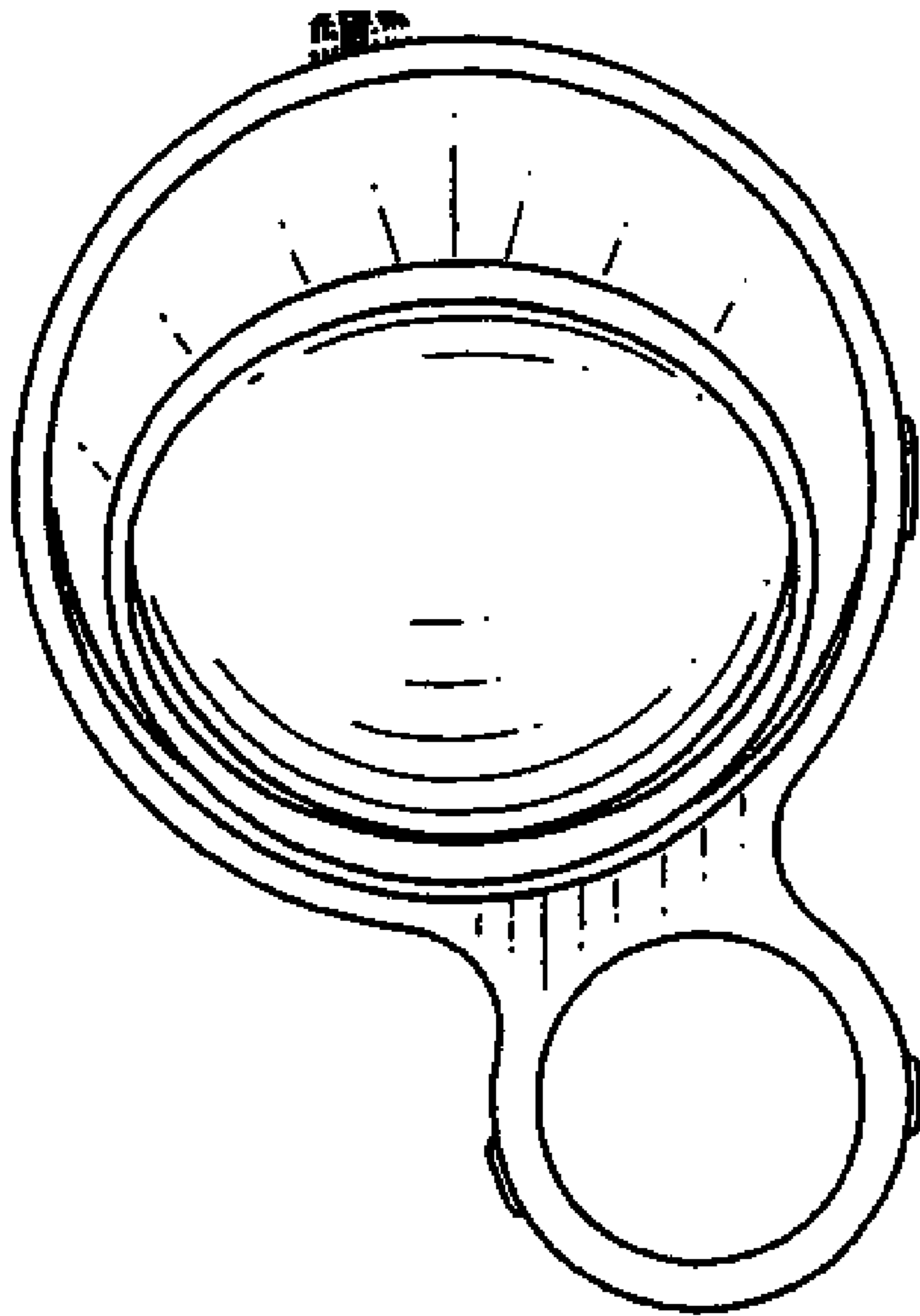


FIG. 7

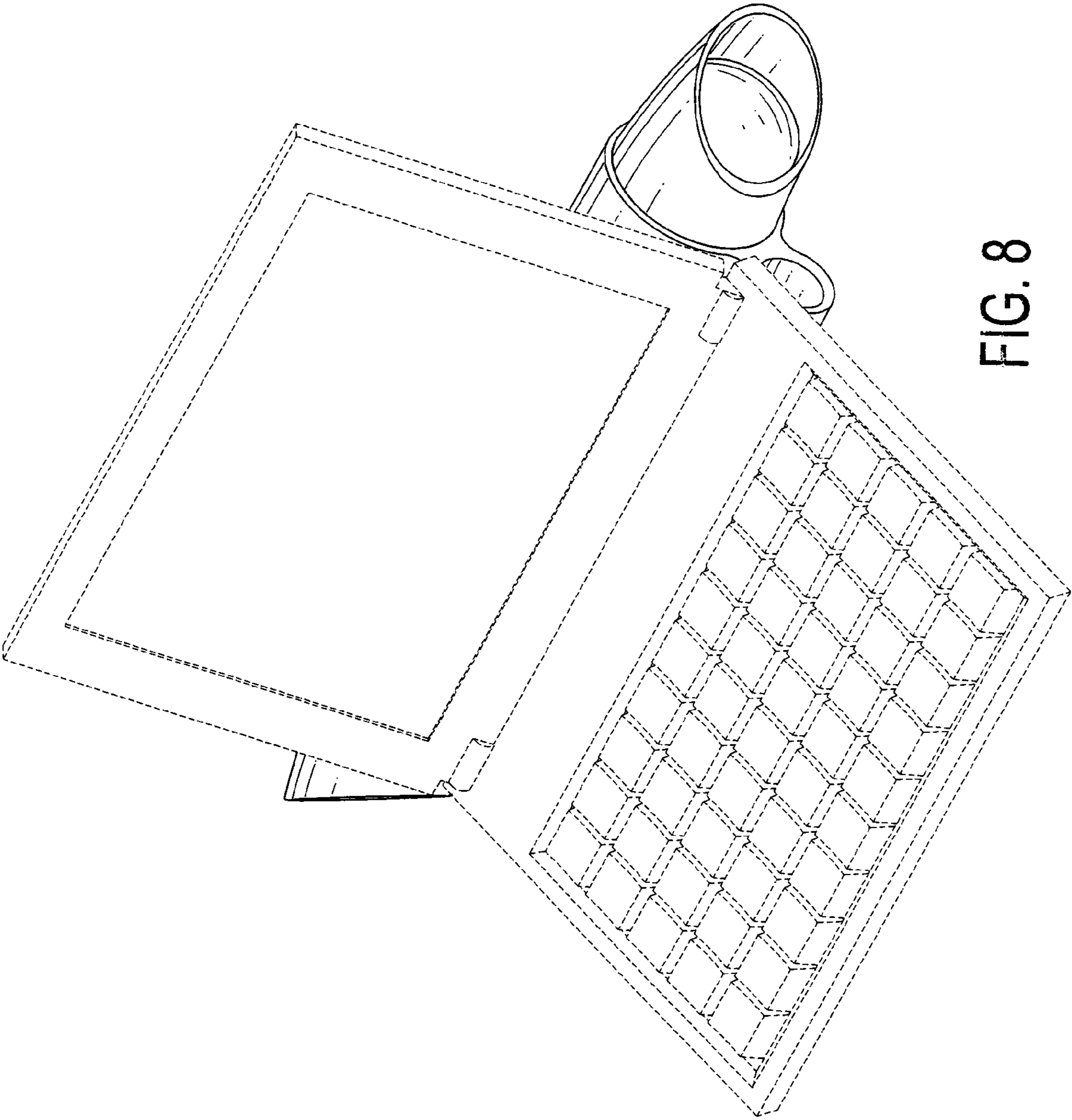


FIG. 8