



US00D612375S

(12) **United States Design Patent**
Oikawa et al.

(10) **Patent No.:** **US D612,375 S**
(45) **Date of Patent:** **** Mar. 23, 2010**

(54) **ELECTRONIC BOOK WITH TOUCH SCREEN DISPLAY**

(75) Inventors: **Yuji Oikawa**, Marina Del Ray, CA (US);
Isamu Arie, Santa Monica, CA (US);
Hiroya Fujii, Los Angeles, CA (US)

(73) Assignees: **Sony Corporation**, Tokyo (JP); **Sony Electronics Inc.**, Park Ridge, NJ (US)

(**) Term: **14 Years**

(21) Appl. No.: **29/342,486**

(22) Filed: **Aug. 26, 2009**

(51) **LOC (9) Cl.** **14-02**

(52) **U.S. Cl.** **D14/341**

(58) **Field of Classification Search** D14/341-347,
D14/137, 138, 138.1, 138 AA, 138 R, 138 AB,
D14/138 AC, 138 AD, 138 C, 138 G, 496,
D14/203.1, 203.3, 203.4, 203.5, 203.6, 203.7,
D14/426, 427, 428, 432, 429, 129, 130, 420,
D14/439-441, 448, 125, 147, 156, 218, 247-248,
D14/250, 389; D10/65, 104; D18/6-7; D21/29,
D21/686, 33, 324, 329, 330; D6/596, 601,
D6/605; D19/60; 455/556.1, 556.2, 566,
455/575.1, 575.3, 575.4, 90.3, 6.1; 379/433.04,
379/433.07, 433.11, 433.12, 433.13, 910,
379/916, 433.01, 433.06; 345/169, 901,
345/905; 348/169; 361/814; 341/122; 346/173
See application file for complete search history.

(56) **References Cited**

U.S. PATENT DOCUMENTS

7,036,256 B2 * 5/2006 Carlin et al. 40/610
D556,193 S * 11/2007 Laituri et al. D14/345
D580,928 S * 11/2008 Bemelmans et al. D14/345

D594,004 S * 6/2009 Takemasa D14/341
D594,028 S * 6/2009 Fuchsberg et al. D14/496
D597,090 S * 7/2009 Bemelmans D14/341
D600,457 S * 9/2009 Ji et al. D6/308

* cited by examiner

Primary Examiner—Cathron C Brooks

Assistant Examiner—Barbara Fox

(74) *Attorney, Agent, or Firm*—John L. Rogitz

(57) **CLAIM**

The ornamental design for an electronic book with touch screen display, as shown and described.

DESCRIPTION

FIG. 1 is a perspective view of the electronic book with touch screen display in the closed configuration;

FIG. 2 is a perspective view of the electronic book with touch screen display in the open configuration;

FIG. 3 is a top plan view of the electronic book with touch screen display of FIG. 2;

FIG. 4 is a top plan view of the electronic book with touch screen display of FIG. 1;

FIG. 5 is a front elevational view of the electronic book with touch screen display of FIG. 1;

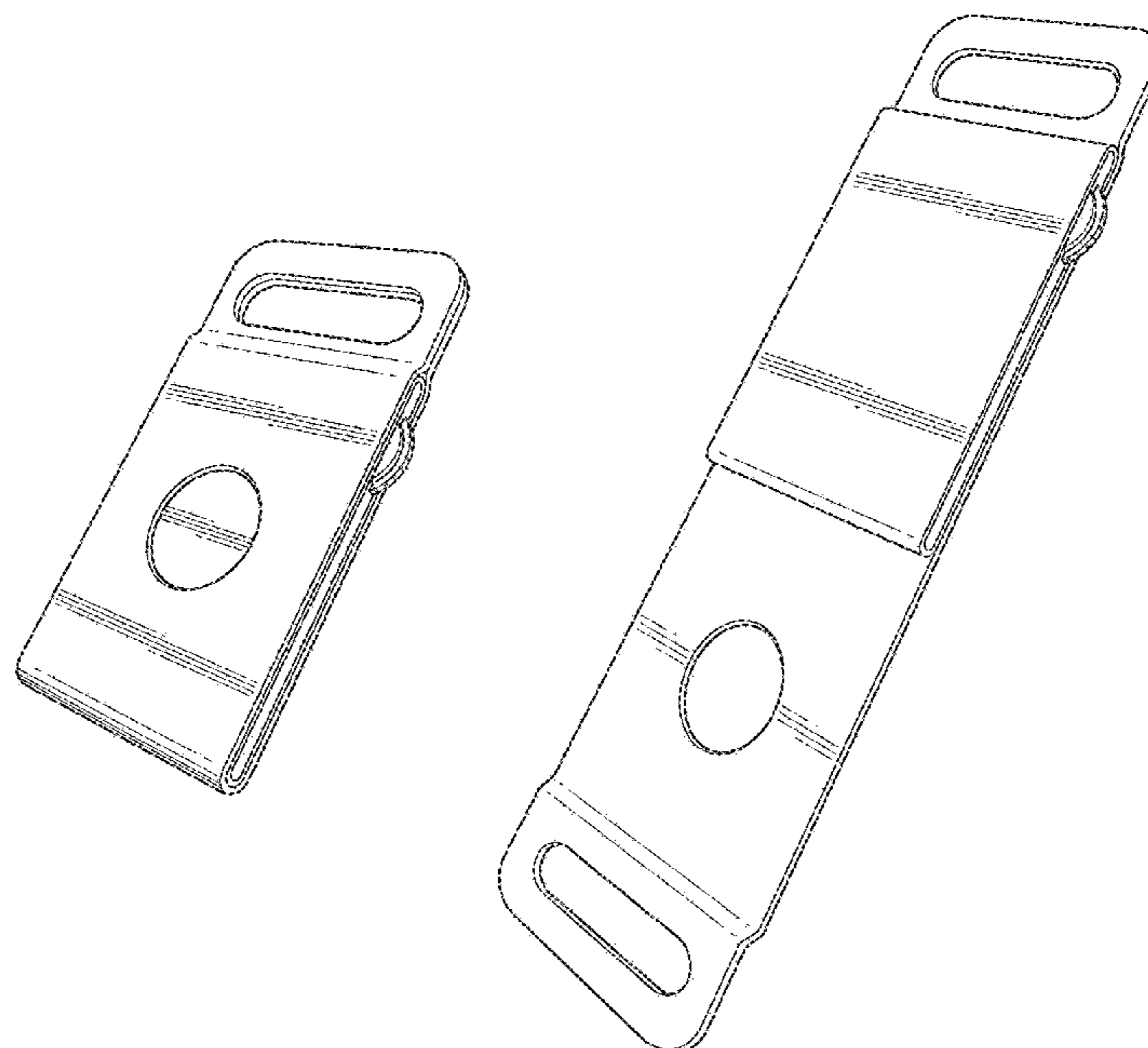
FIG. 6 is a rear elevational view of the electronic book with touch screen display of FIG. 1;

FIG. 7 is a left side elevational view of the electronic book with touch screen display of FIG. 1;

FIG. 8 is a right side elevational view of the electronic book with touch screen display of FIG. 1; and,

FIG. 9 is a bottom plan view of the electronic book with touch screen display of FIG. 1.

1 Claim, 4 Drawing Sheets



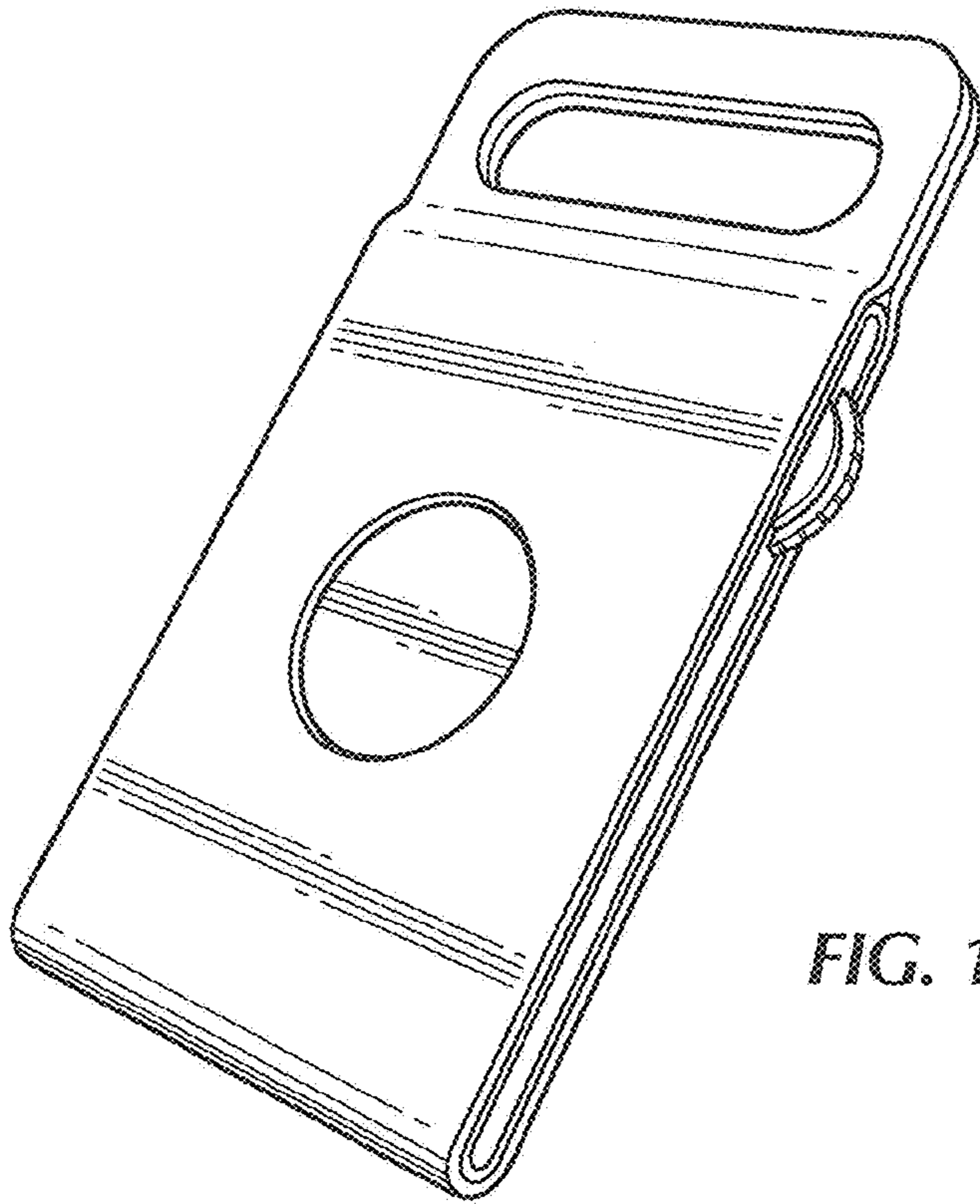


FIG. 1

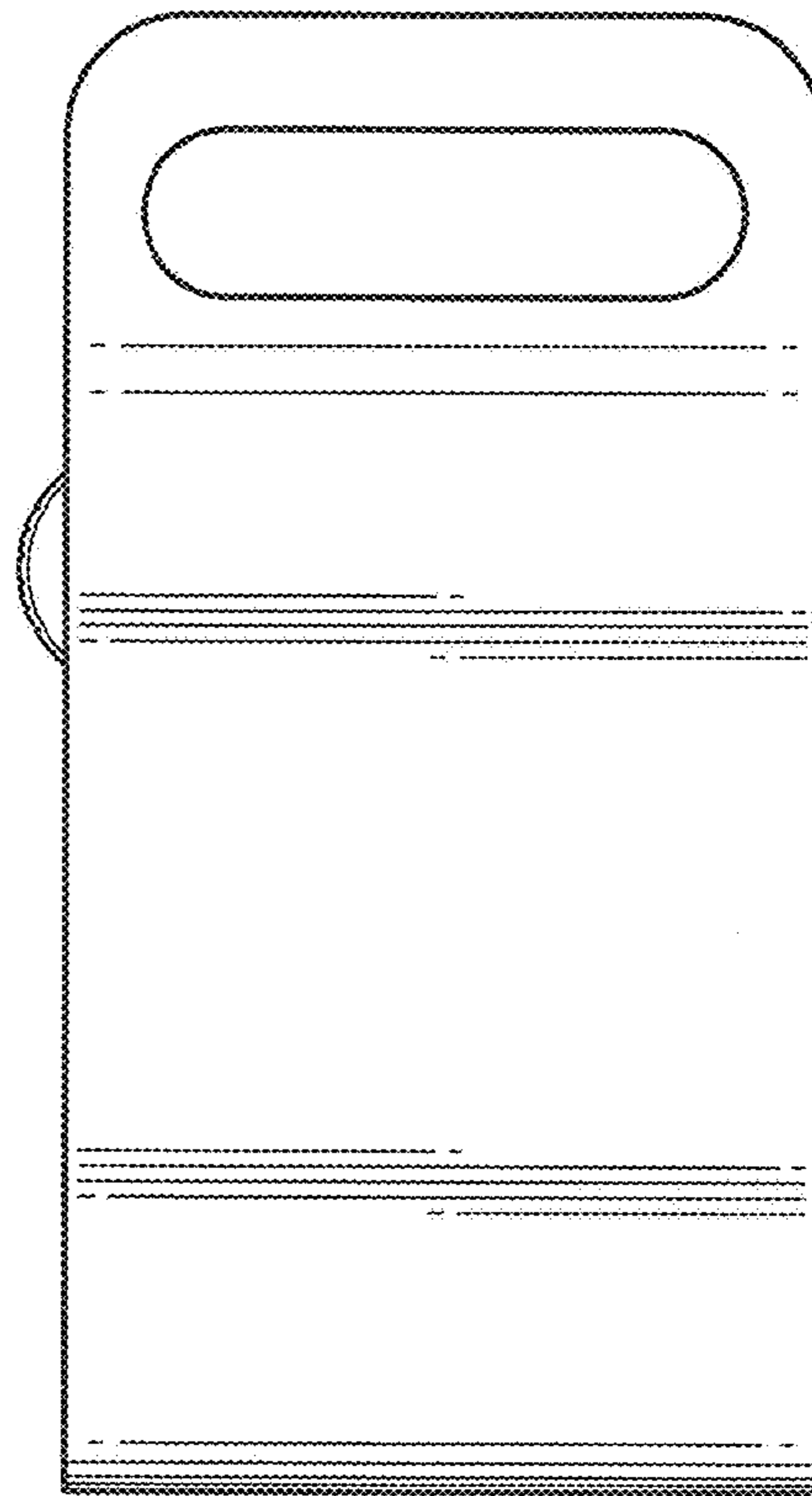


FIG. 9

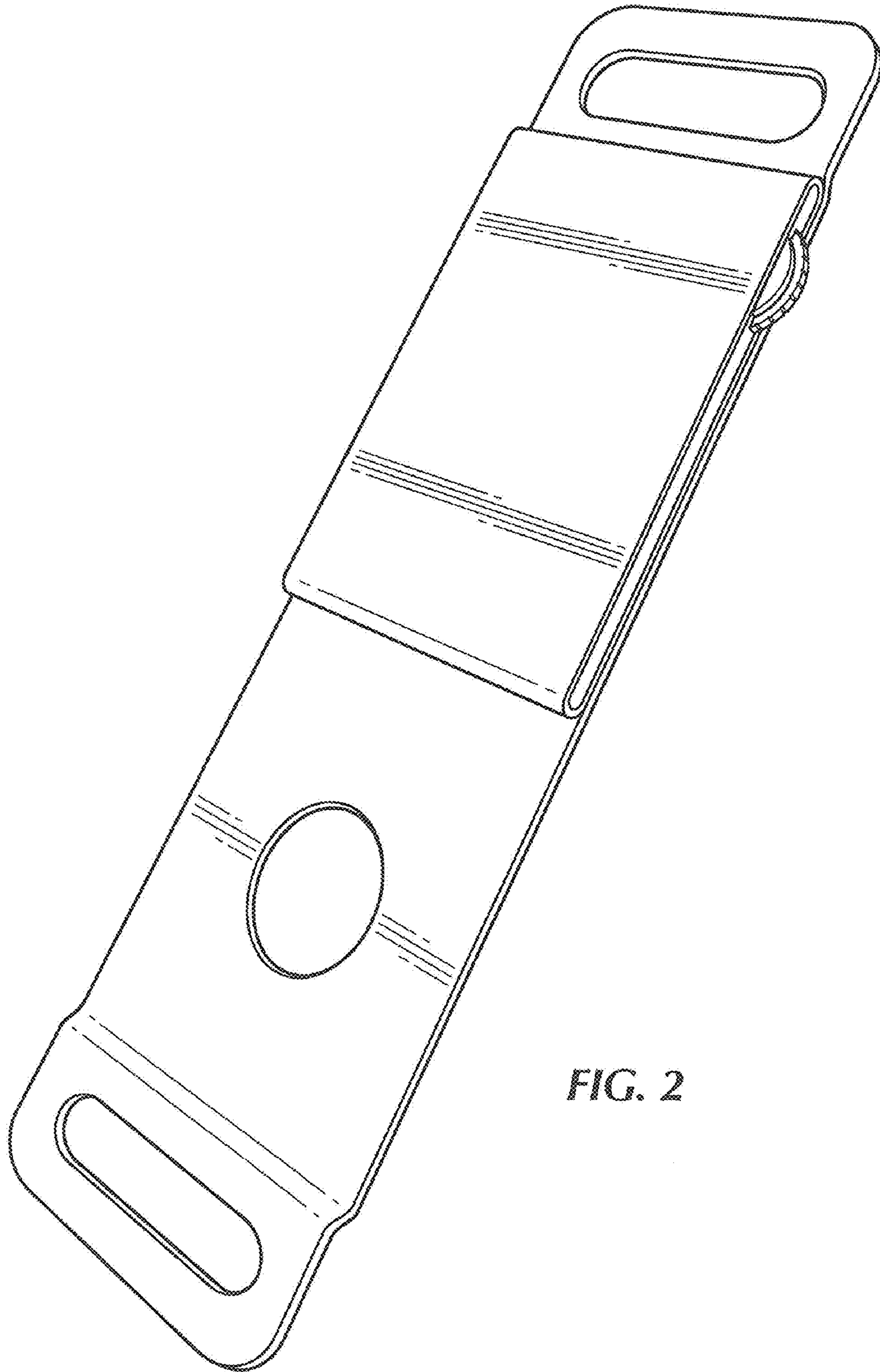


FIG. 2

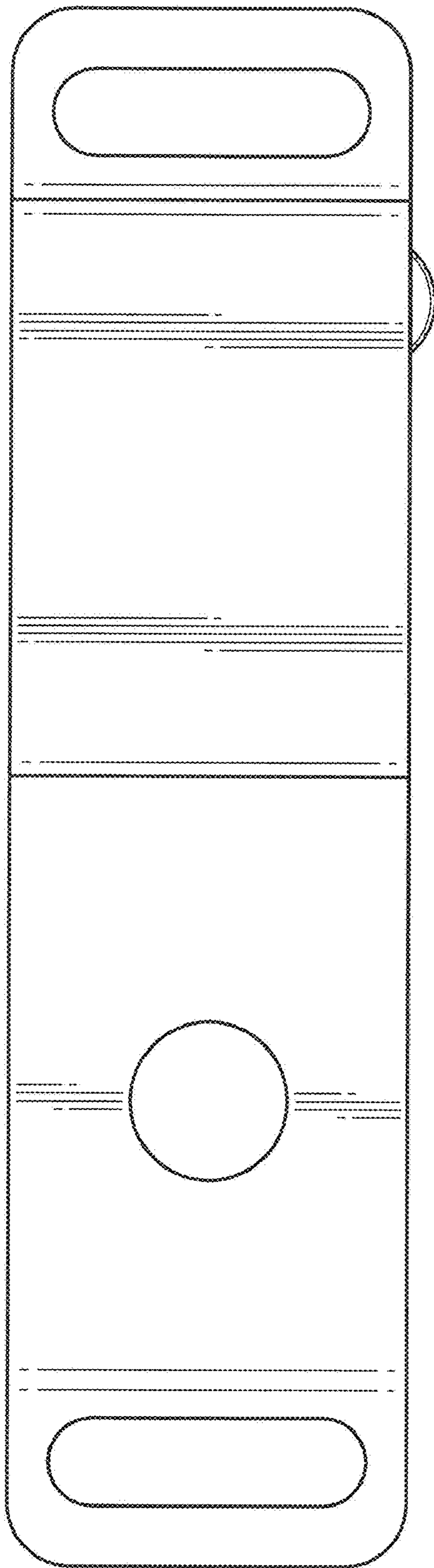


FIG. 3

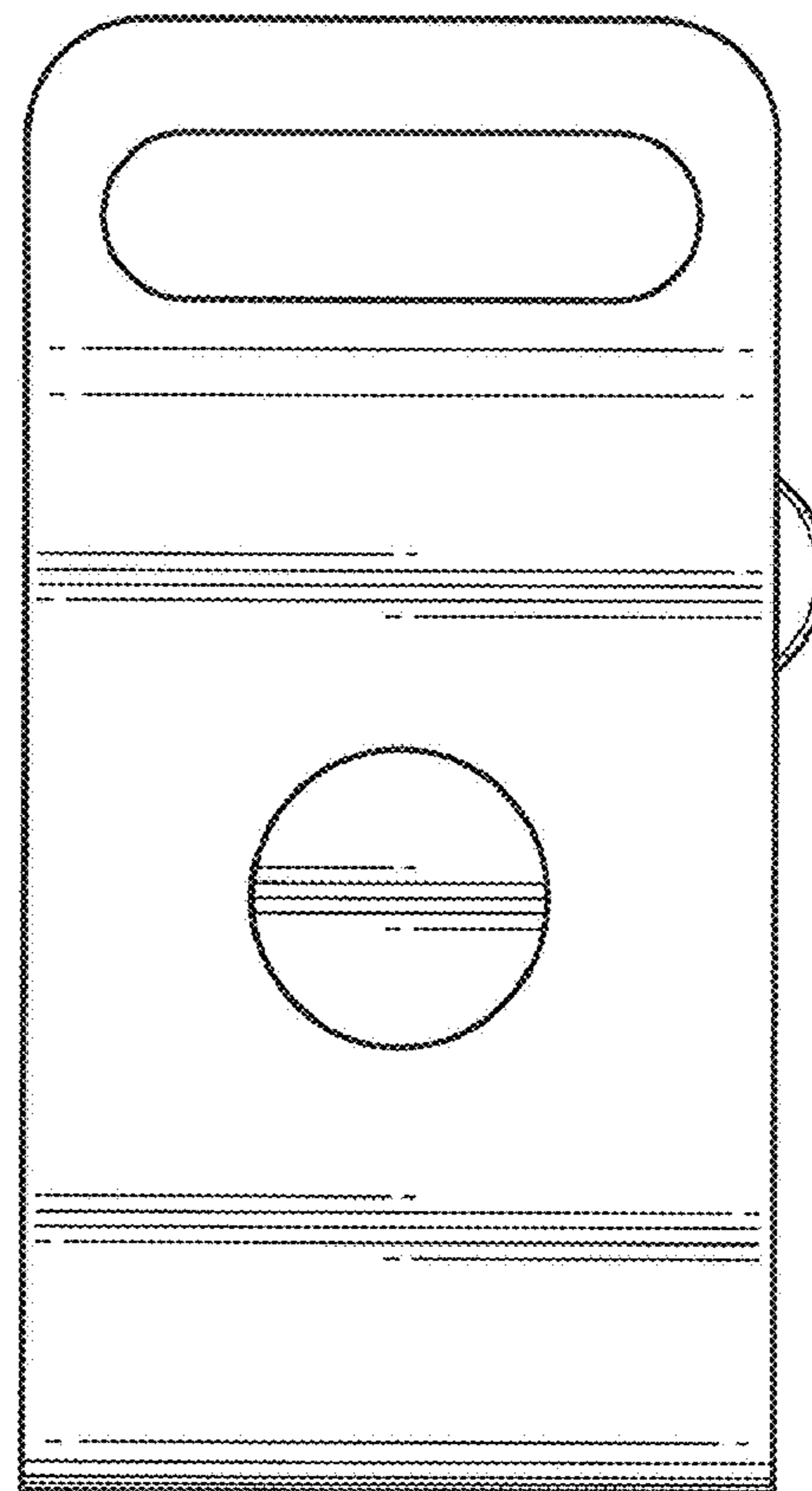


FIG. 4



FIG. 5



FIG. 6



FIG. 7

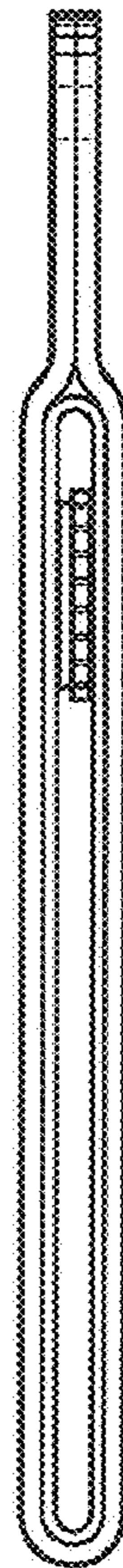


FIG. 8