



US00D612370S

(12) **United States Design Patent**
Suleiman et al.

(10) **Patent No.:** **US D612,370 S**
(45) **Date of Patent:** **** Mar. 23, 2010**

(54) **COMPACT HIGH DEFINITION TELEVISION ANTENNA**

(75) Inventors: **Shady Hasan Suleiman**, Burlington, IA (US); **Gail Edwin McCollum**, Wapello, IA (US)

(73) Assignee: **Winegard Company**, Burlington, IA (US)

(**) Term: **14 Years**

(21) Appl. No.: **29/345,812**

(22) Filed: **Oct. 22, 2009**

(51) **LOC (9) Cl.** **14-03**

(52) **U.S. Cl.** **D14/234; D14/235; D14/236**

(58) **Field of Classification Search** D14/230–238, D14/299; 343/700 R, 840, 841, 908; 455/3.02, 455/FOR. 215, 575.2

See application file for complete search history.

(56) **References Cited**

U.S. PATENT DOCUMENTS

2,338,564	A *	1/1944	Aram	343/798
2,615,005	A *	10/1952	White	343/817
2,665,380	A *	1/1954	Hickson et al.	343/795
2,666,138	A *	1/1954	Ehrbar et al.	343/727
D171,560	S *	2/1954	Rutter	D14/230
D174,992	S *	6/1955	Kumpis et al.	D14/236
D175,733	S *	10/1955	Kumpis et al.	D14/236
RE25,604	E *	6/1964	Greenberg	343/815
D202,709	S *	11/1965	Larson	D14/235
3,228,031	A *	1/1966	Kitamura et al.	343/805
D209,147	S *	11/1967	Johnson	D14/234
3,369,245	A	2/1968	Rea	
3,373,432	A *	3/1968	Breneman	343/808
D211,179	S *	5/1968	Rosenberry et al.	D14/234
3,531,805	A	9/1970	Winegard et al.	
3,665,478	A *	5/1972	Dempsey	343/725
3,984,841	A *	10/1976	Mikulich, Jr. et al.	343/792.5
4,149,169	A *	4/1979	Weber	343/846
4,209,790	A	6/1980	Newcomb	

4,219,821	A *	8/1980	Selim	342/445
4,293,861	A *	10/1981	Winegard et al.	343/766
D293,786	S *	1/1988	Redaelli	D14/234
D293,787	S *	1/1988	Redaelli	D14/235
4,766,441	A *	8/1988	Phillips et al.	343/709
D305,766	S *	1/1990	Tai	D14/231
5,969,687	A *	10/1999	Podger	343/742
6,057,805	A *	5/2000	Harrington	343/792.5
6,154,182	A *	11/2000	McLean	343/773
6,323,821	B1 *	11/2001	McLean	343/795
D501,466	S *	2/2005	Charlot, Jr.	D14/235
D516,063	S *	2/2006	Lai et al.	D14/234
7,626,557	B2 *	12/2009	Eckwielen et al.	343/757

* cited by examiner

Primary Examiner—T. Chase Nelson

Assistant Examiner—John Windmuller

(74) *Attorney, Agent, or Firm*—Dorr, Carson & Birney, P.C.

(57) **CLAIM**

The ornamental design for a compact high definition television antenna, as shown and described.

DESCRIPTION

A related application is U.S. Patent Application Ser. No. 12/474,119 filed May 28, 2009 entitled compact high definition digital television antenna.

FIG. 1 is a perspective view of a television antenna showing our new design.

FIG. 2 is a front elevational view thereof.

FIG. 3 is a rear elevational view thereof.

FIG. 4 is a right side elevational view thereof.

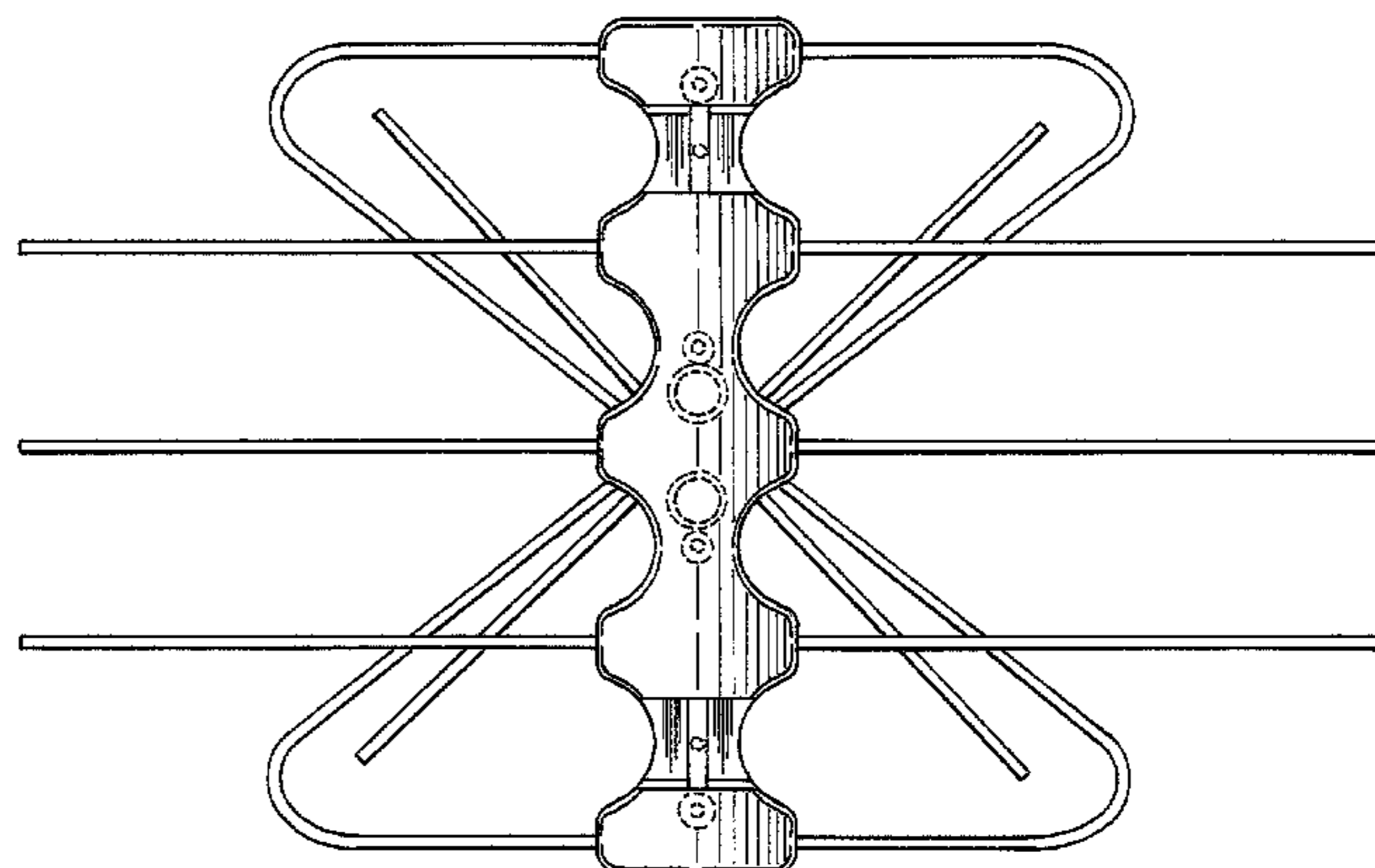
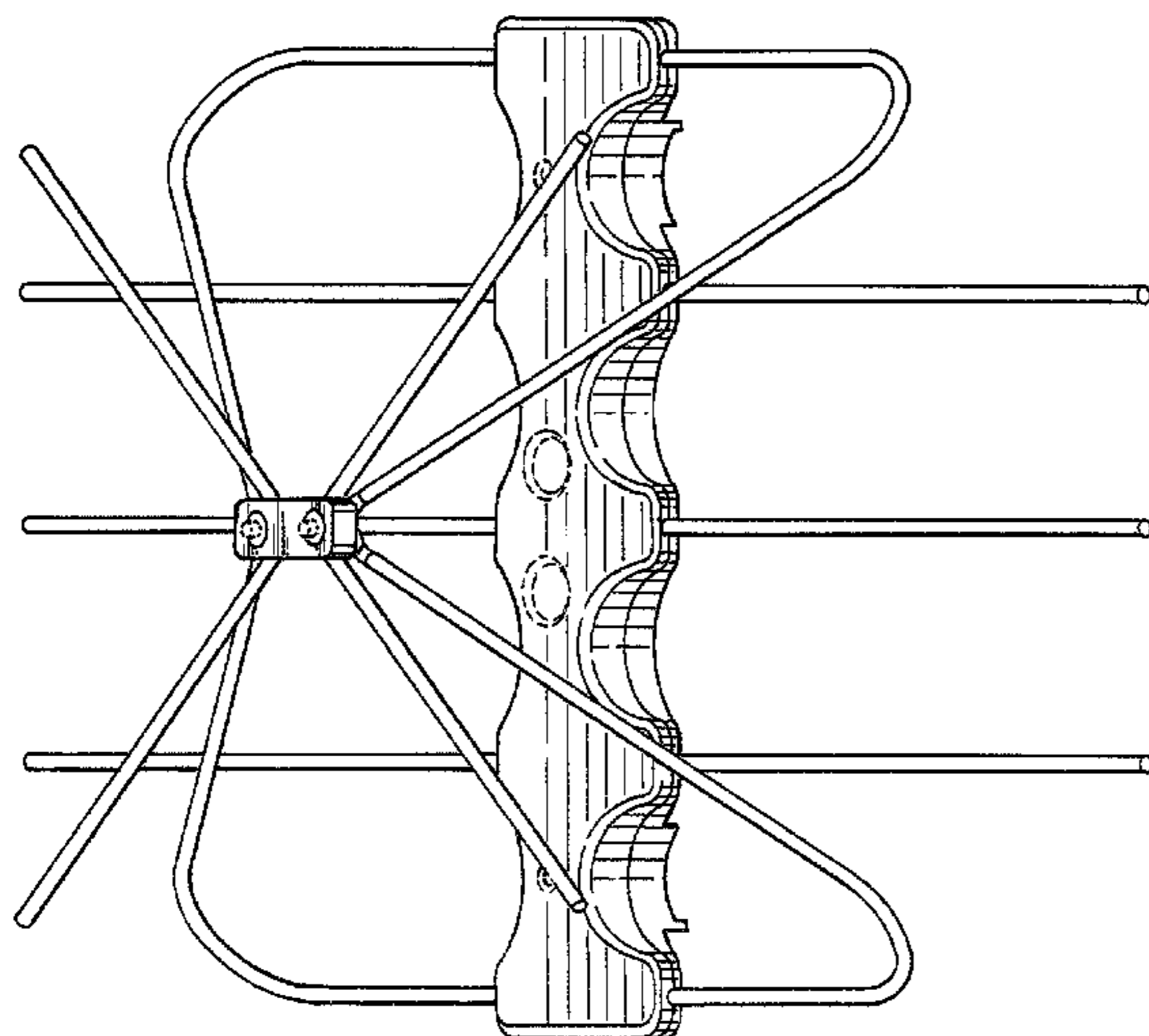
FIG. 5 is a left side elevational view thereof.

FIG. 6 is a top plan view thereof; and,

FIG. 7 is a bottom plan view thereof.

The mounting hardware and signal pass throughs are shown in broken lines to depict environmental subject matter only and form no part of the claimed design.

1 Claim, 7 Drawing Sheets



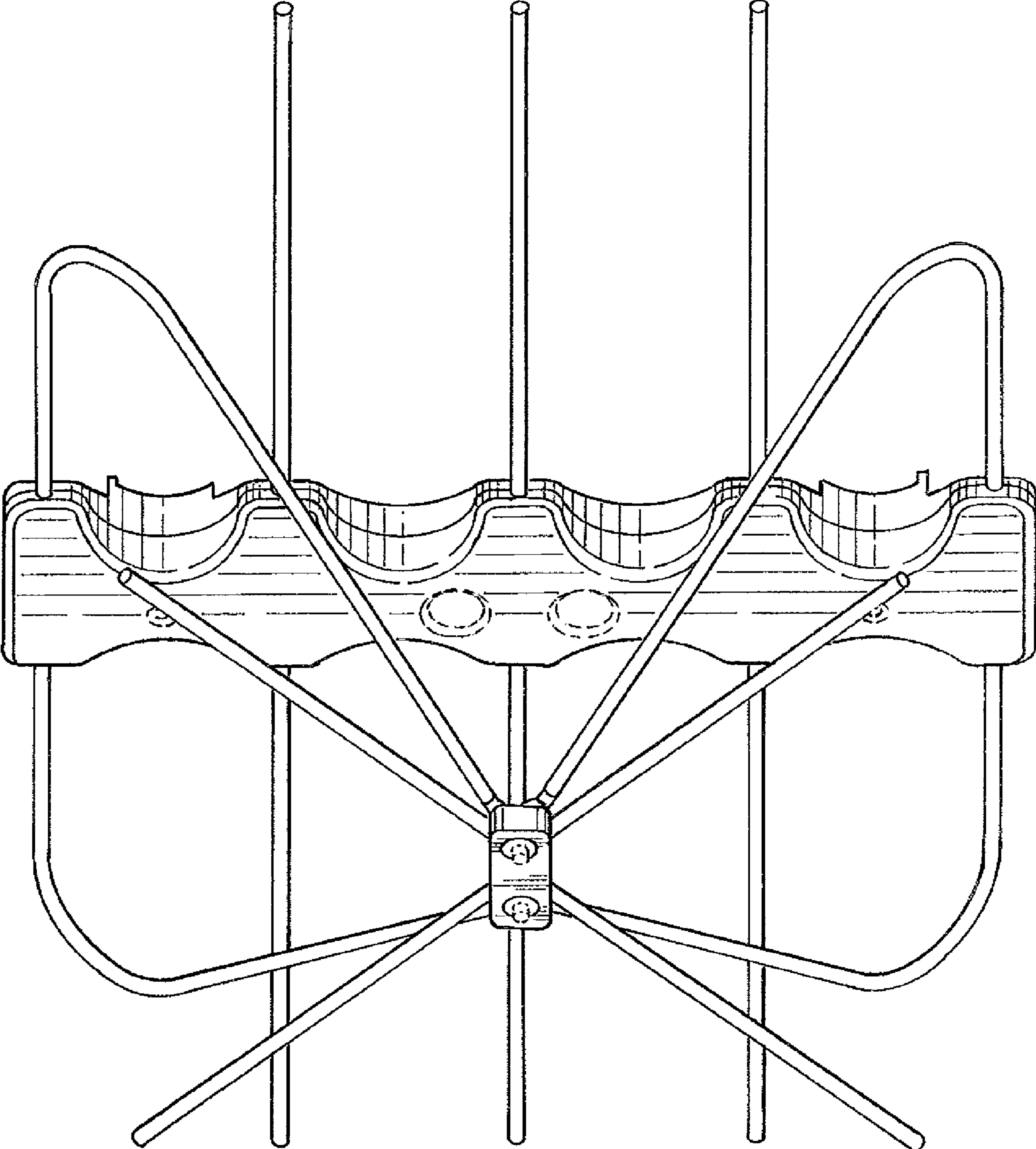


Fig. 1

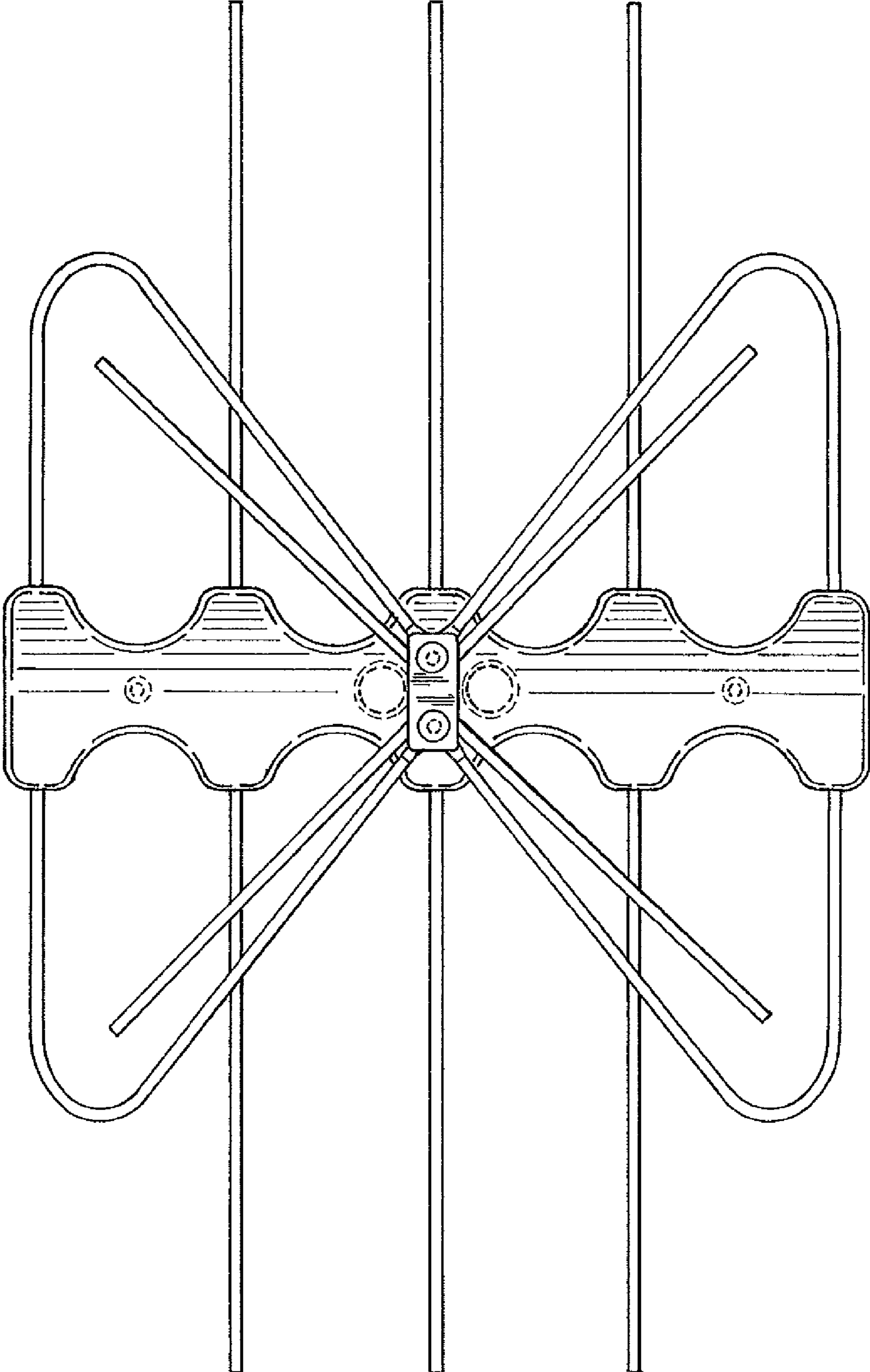


Fig. 2

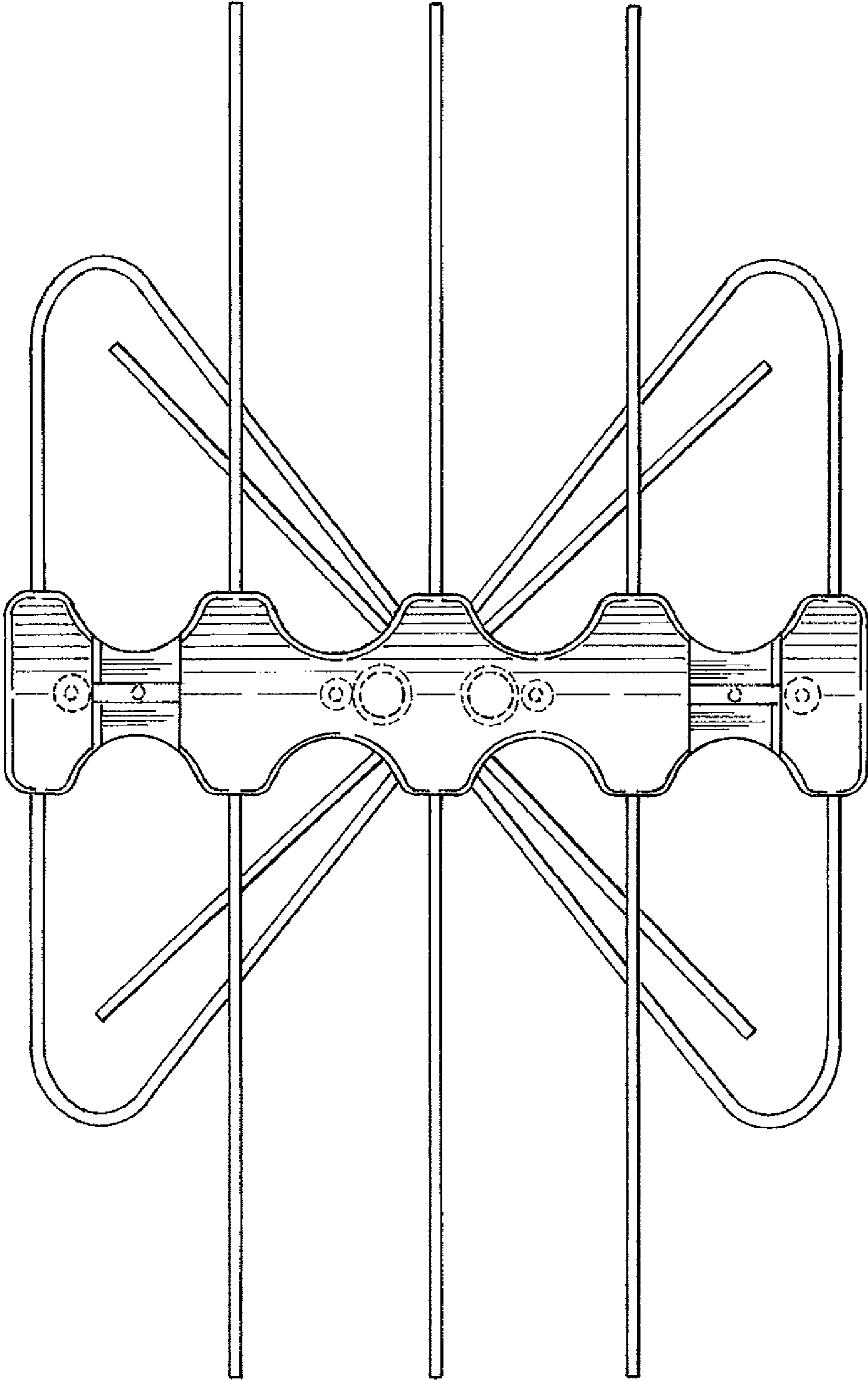


Fig. 3

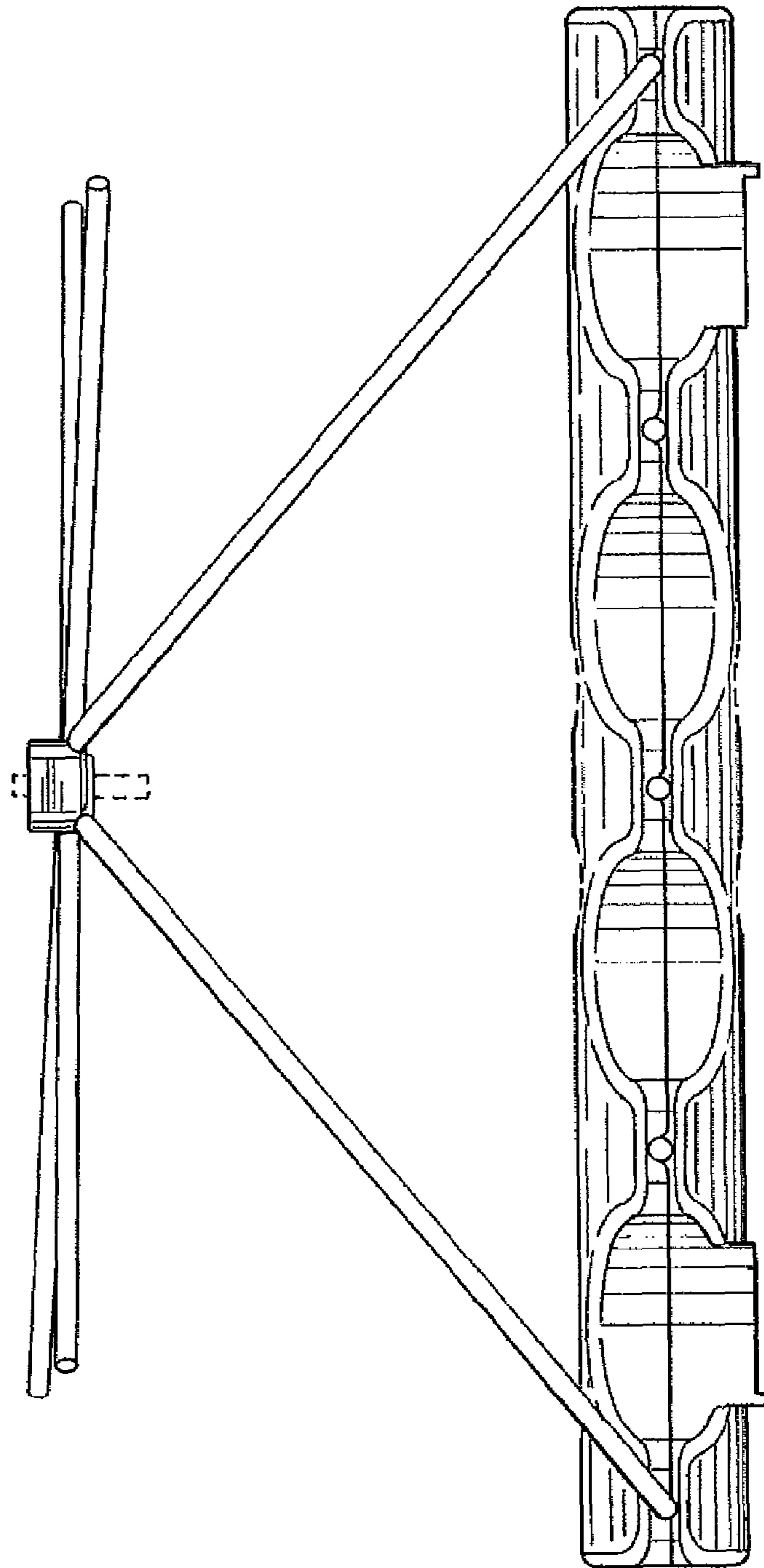


Fig. 4

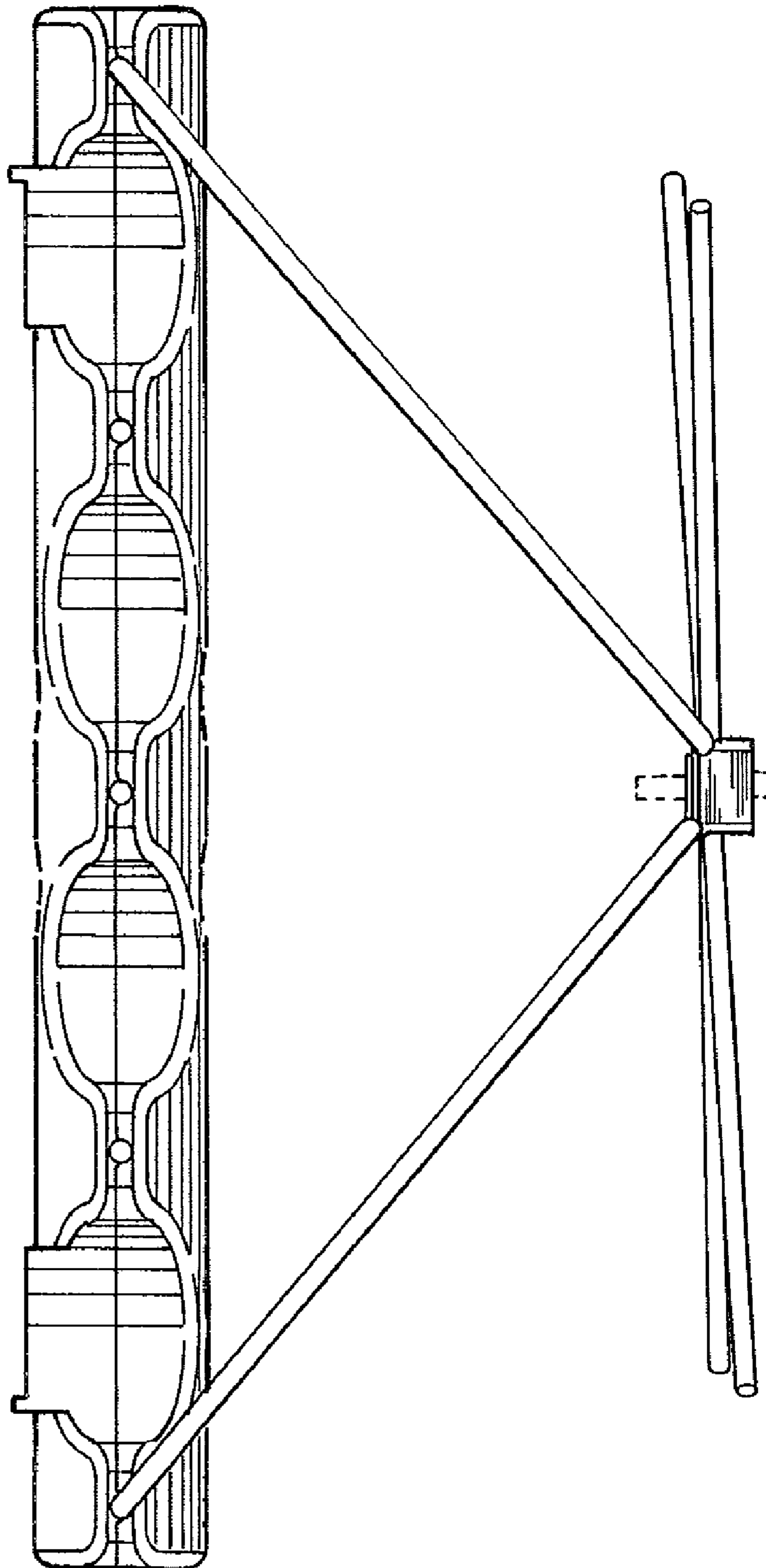


Fig. 5

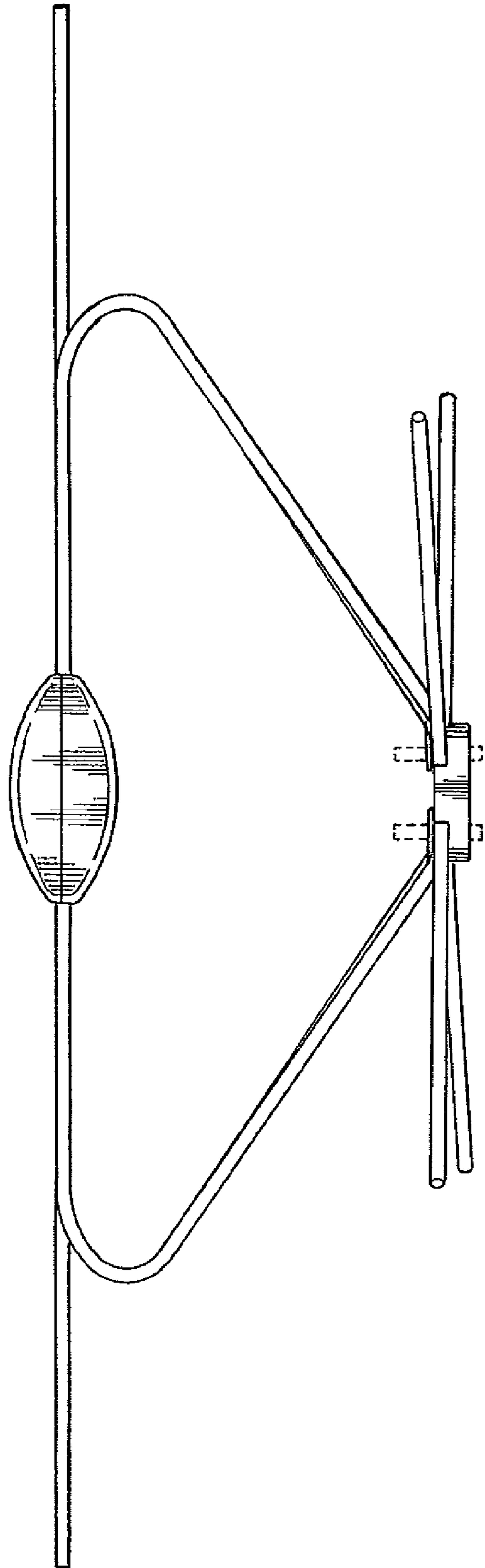


Fig. 6

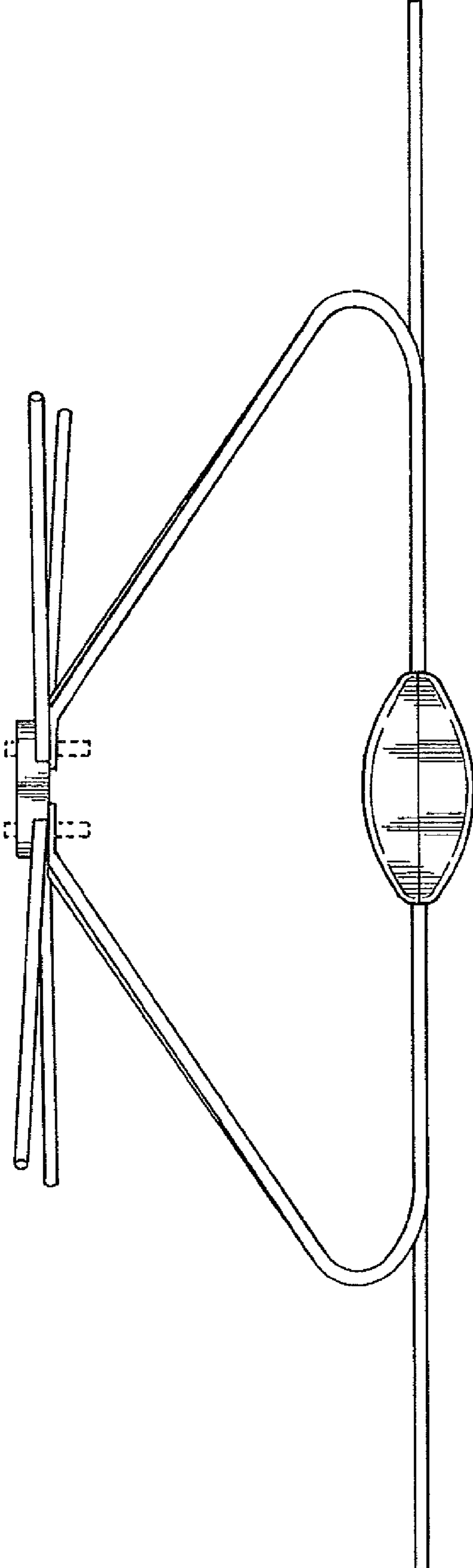


Fig. 7