



US00D612368S

(12) **United States Design Patent**  
**Yang et al.**

(10) **Patent No.:** **US D612,368 S**  
(45) **Date of Patent:** **\*\* Mar. 23, 2010**

(54) **DOUBLE-BAND ANTENNA**

(75) Inventors: **Chung-Wen Yang**, Tu-Cheng (TW);  
**Hung-Jen Chen**, Tu-Cheng (TW);  
**Pei-Fen Wu**, Tu-Cheng (TW)

(73) Assignee: **Cheng Uei Precision Industry Co., Ltd.**, Tu-Cheng, Taipei Hsien (TW)

(\*\*) Term: **14 Years**

(21) Appl. No.: **29/344,366**

(22) Filed: **Sep. 28, 2009**

(51) **LOC (9) Cl.** ..... **14-03**

(52) **U.S. Cl.** ..... **D14/230**

(58) **Field of Classification Search** ..... D14/138,  
D14/230-238, 299, 358; D12/42, 43; 343/700 MS,  
343/700 R-705, 711-713, 741, 748, 767,  
343/795, 819, 840, 846, 866, 871-908; 455/90.2,  
455/90.3, 91, 128, 269, 344, 347, 562.1  
See application file for complete search history.

(56) **References Cited**

**U.S. PATENT DOCUMENTS**

7,023,387	B2 *	4/2006	Wen et al.	.....	343/700 MS
7,443,346	B2 *	10/2008	Shih	.....	343/700 MS
7,466,271	B2 *	12/2008	Wen et al.	.....	343/700 MS
7,479,928	B2 *	1/2009	Tan et al.	.....	343/702
7,501,991	B2 *	3/2009	Yeap	.....	343/795
7,564,413	B2 *	7/2009	Kim et al.	.....	343/702
7,573,424	B2 *	8/2009	Mei	.....	343/700 MS

7,589,680	B2 *	9/2009	Tsai et al.	.....	343/702
7,605,765	B2 *	10/2009	Ku	.....	343/702
7,619,566	B2 *	11/2009	Kim et al.	.....	343/700 MS
7,619,569	B2 *	11/2009	Wu et al.	.....	343/700 MS
2004/0080457	A1 *	4/2004	Guo et al.	.....	343/700 MS
2005/0275592	A1 *	12/2005	Chung et al.	.....	343/700 MS
2008/0266189	A1 *	10/2008	Wu	.....	343/702
2008/0284660	A1 *	11/2008	Hozouri	.....	343/700 MS
2009/0146906	A1 *	6/2009	Anguera Pros et al.	.....	343/906
2009/0267840	A1 *	10/2009	Xu et al.	.....	343/700 MS

\* cited by examiner

*Primary Examiner*—T. Chase Nelson

*Assistant Examiner*—John Windmuller

(74) *Attorney, Agent, or Firm*—Cheng-Ju Chiang

(57) **CLAIM**

The ornamental design for double-band antenna, as shown and described.

**DESCRIPTION**

FIG. 1 is a perspective view of double-band antenna showing our new design;

FIG. 2 is a front elevational view thereof;

FIG. 3 is a rear elevational view thereof;

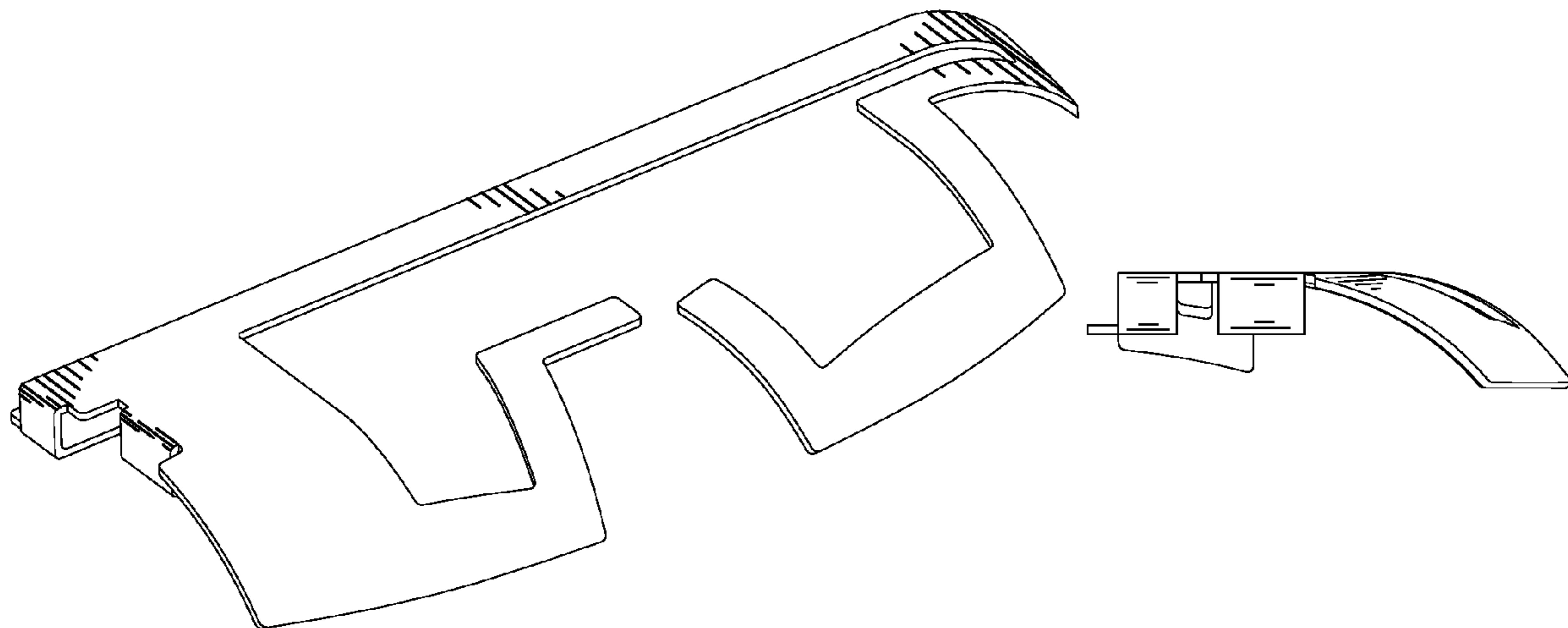
FIG. 4 is a left side elevational view thereof;

FIG. 5 is a right side elevational view thereof;

FIG. 6 is a top plan view thereof; and,

FIG. 7 is a bottom plan view thereof.

**1 Claim, 7 Drawing Sheets**



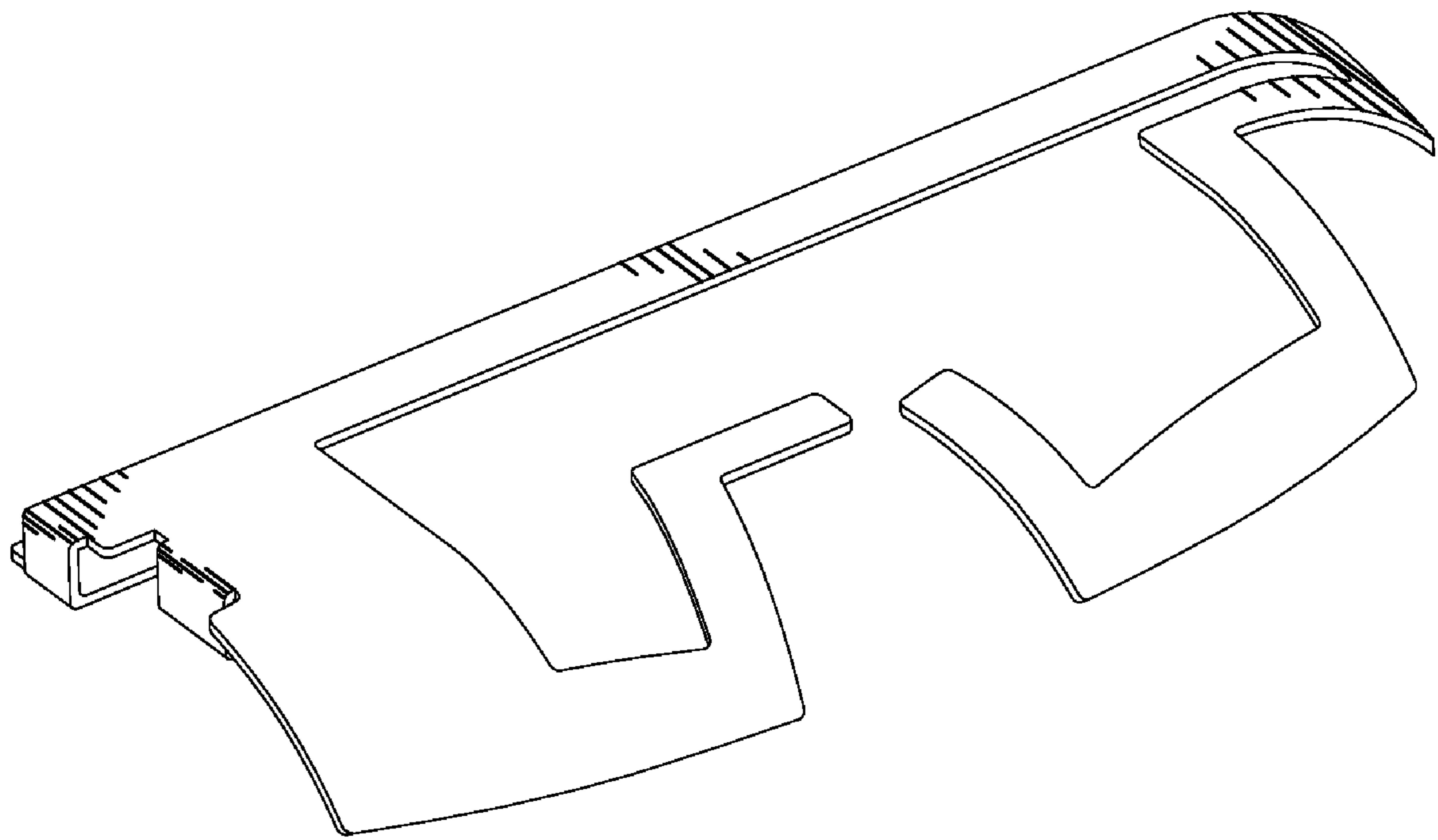


FIG. 1

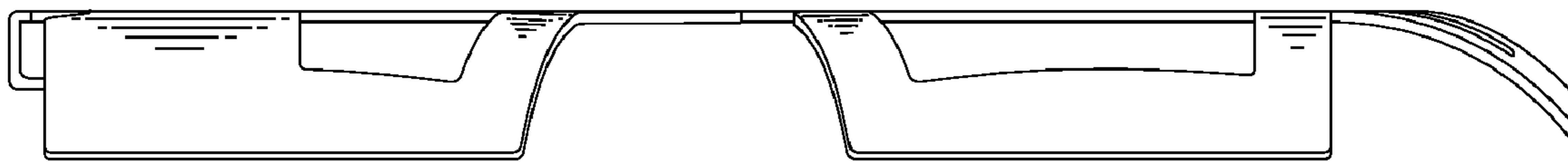


FIG. 2

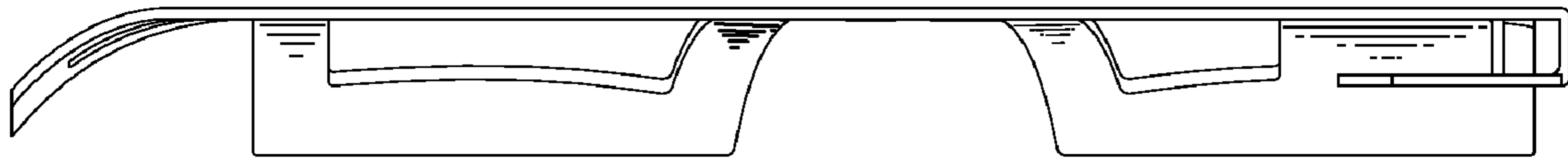


FIG. 3

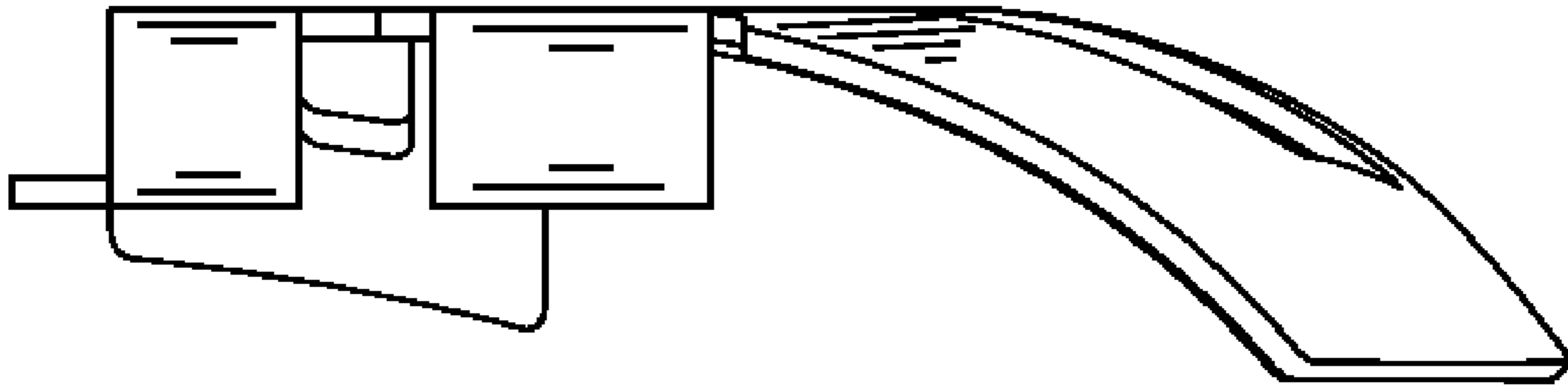


FIG. 4

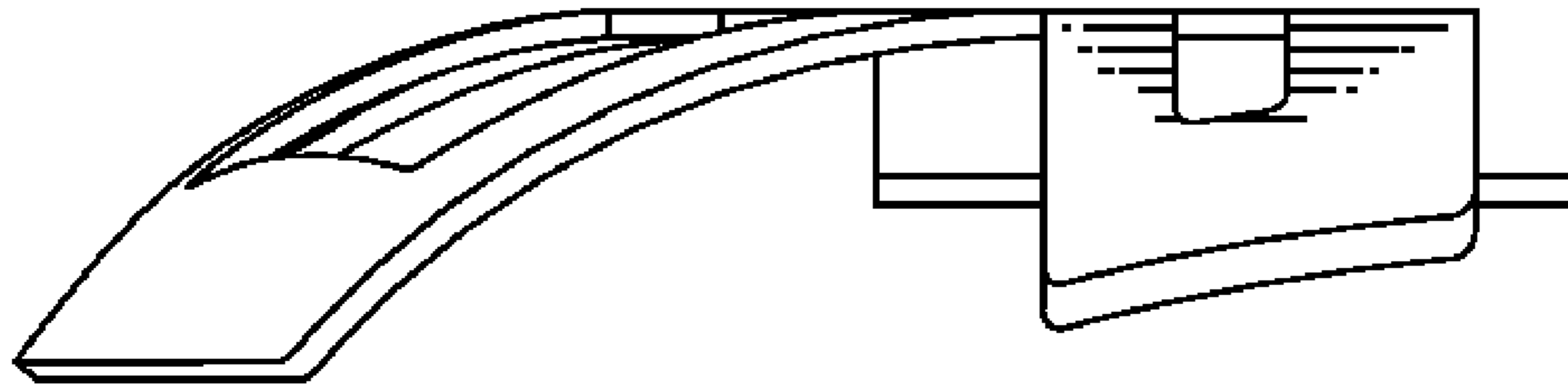


FIG. 5

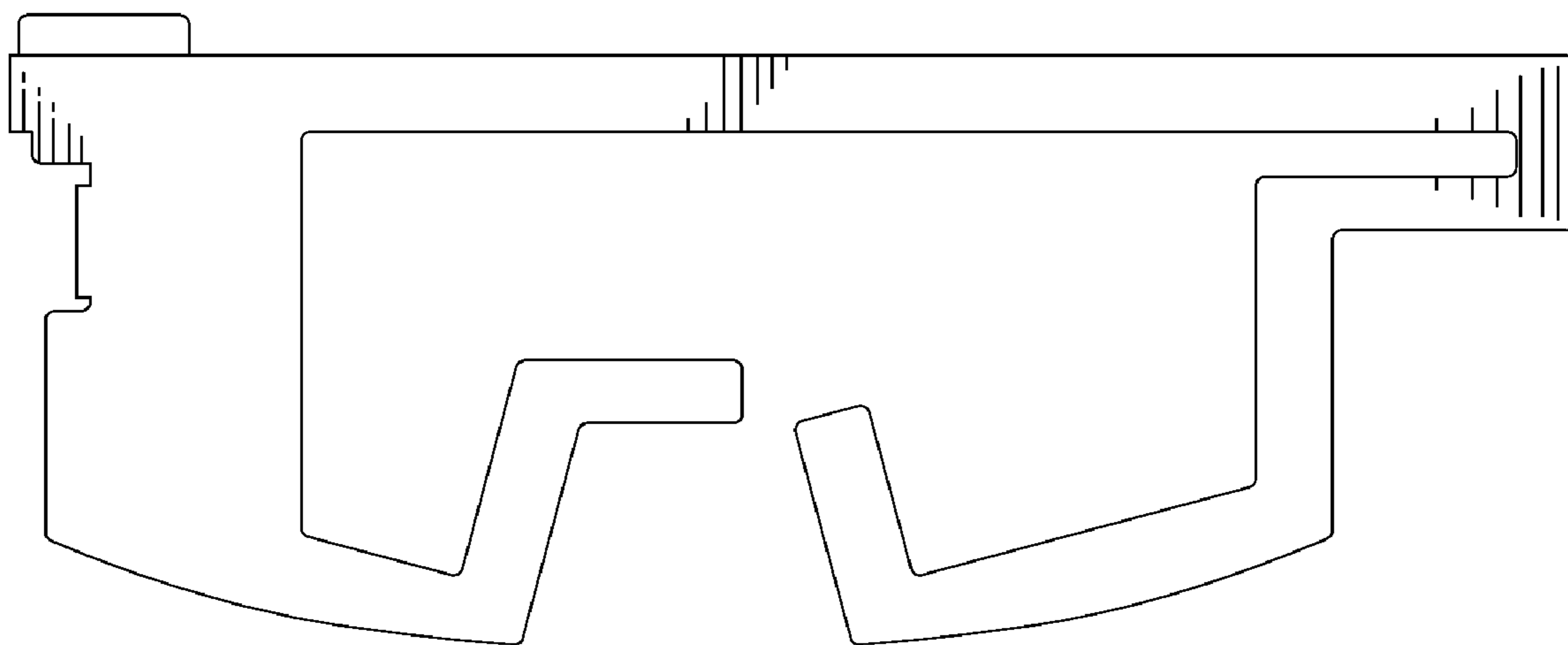


FIG. 6

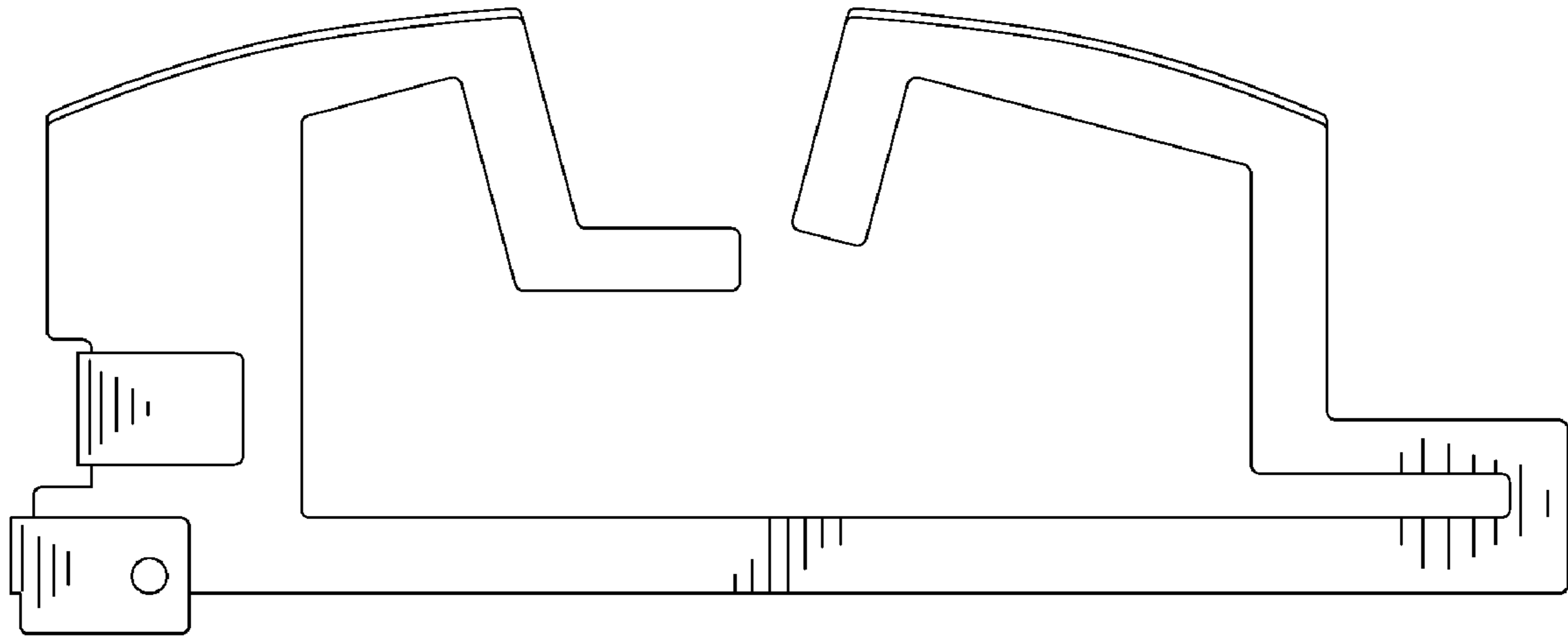


FIG. 7